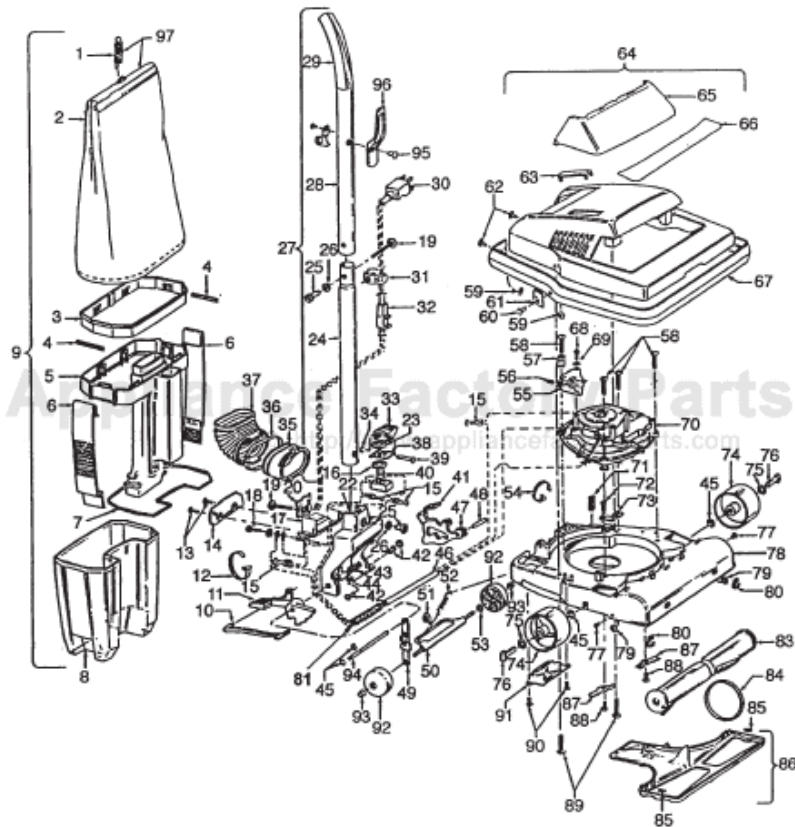


This Owner's Manual is provided and hosted by Appliance Factory Parts.



HOOVER C1633 Owner's Manual

[Shop genuine replacement parts for HOOVER C1633](#)



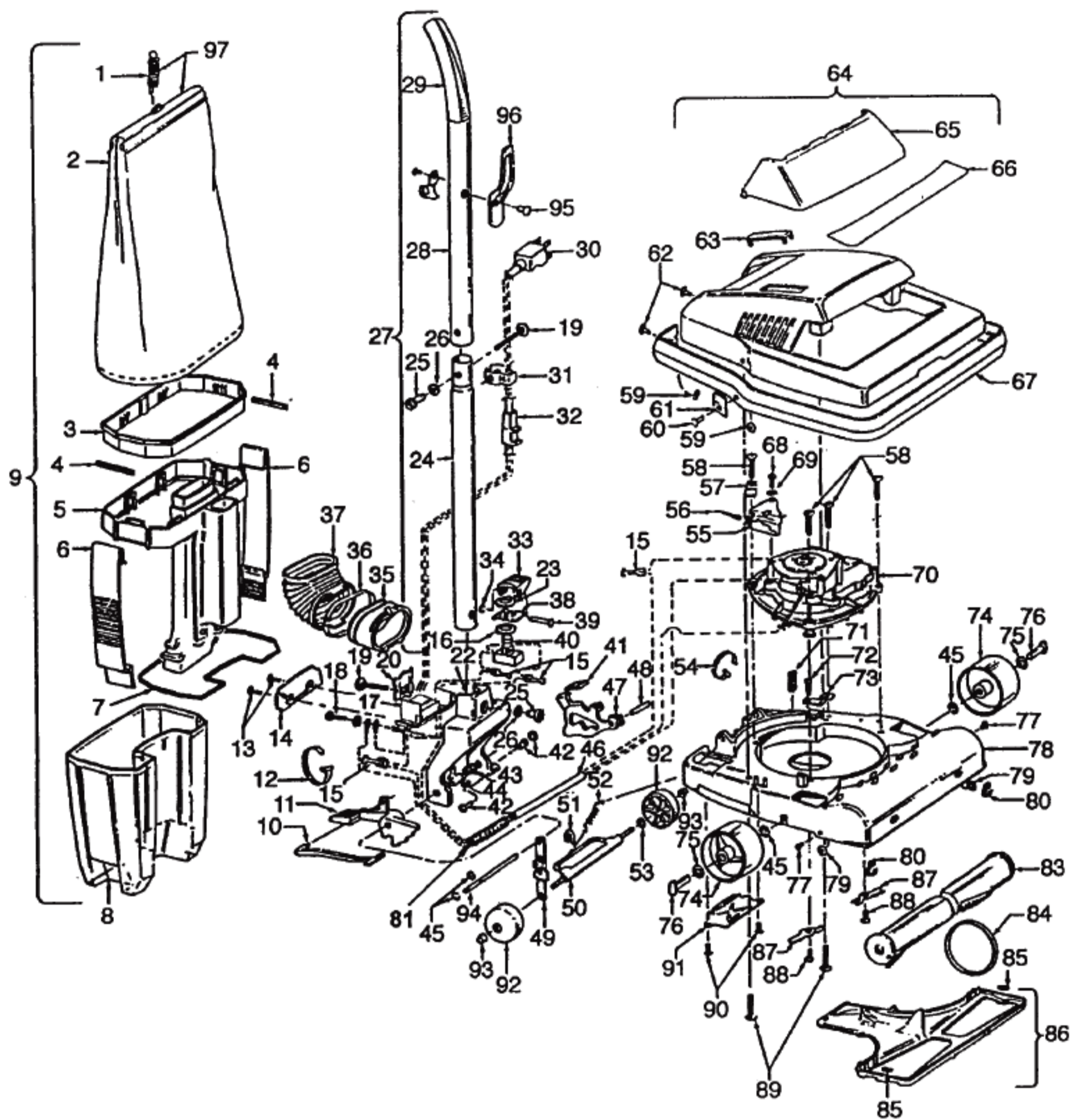
[Find Your HOOVER Vacuum Cleaner Parts - Select From 1456 Models](#)

----- Manual continues below part list -----

Available Replacement Parts for HOOVER C1633

[H-43267002](#)

AGITATOR BEARING ASM



Commercial Upright Cleaner

Model C1633

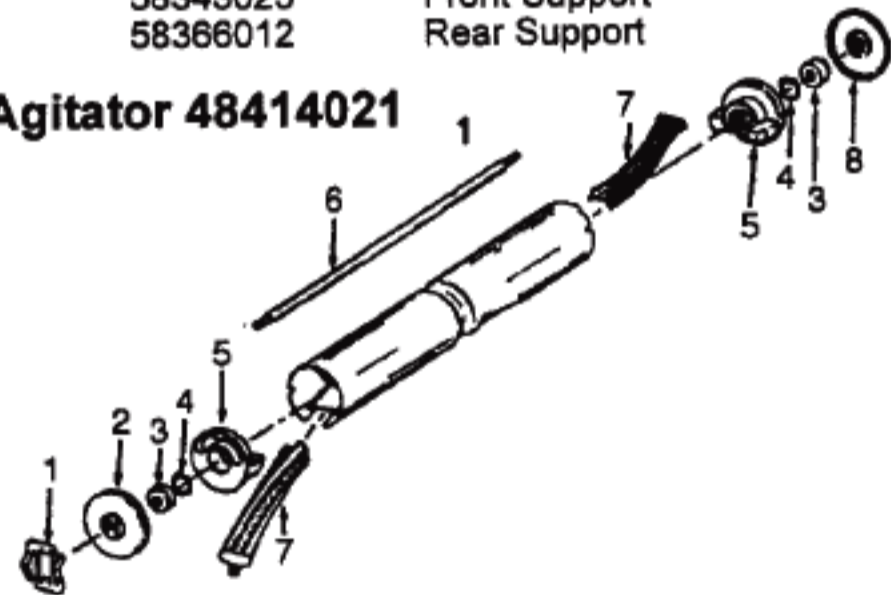
| Ref. No. | Part No. | Description |
|----------|----------|--|
| 1 | 38335009 | Support Spring |
| 2 | 43667056 | Cloth Bag - AAW/AG |
| 3 | 35173001 | Bag Expander - AG |
| 4 | 34112015 | Seal |
| 5 | 41427013 | Dust Cup Support & Bellows |
| 6 | 36155011 | Latch - AG (2) |
| 7 | 34123020 | Gasket |
| 8 | 38775001 | Dust Cup |
| 9 | 43675188 | Dust Cup Assem. |
| 10 | 51151034 | Indicator - AG |
| 11 | 38456044 | Nozzle Adjustment Lever - AG |
| 12 | 27479307 | * Cable Tie |
| 13 | 12954 | * Screw - Self Tapping (2) |
| 14 | 37954004 | Bail Cover Plate - AG |
| 15 | 48969 | * Wire Nut (4) |
| 16 | 21354155 | * Lock Washer - Special |
| 17 | 36913026 | Insulator / Strain Relief |
| 18 | 23187363 | Screw - Self Tapping |
| 19 | 21631302 | Handle Bolt (2) |
| 20 | 35463011 | Handle Retainer Plate |
| 21 | N/A | |
| 22 | 41416064 | Bail Assem - (Inc. items 13, 14, 17, 19, 20, 25, 26) |
| 23 | 12560 | * Switch Nut |
| 24 | 48631134 | Lower Handle - AX |
| 25 | 32277008 | Handle Nut (2) |
| 26 | 13704 | * Lock Washer (2) |
| 27 | 48646093 | Handle Comp. - AX |
| 28 | 48643091 | Handle Upper Half - AX |
| 29 | 39454070 | Handle Grip - BU |
| 30 | 46583009 | Attach. Cord - 50' - AAW |
| 31 | 34785017 | Cord Retaining Clamp - AX |
| 32 | 36215025 | Cord Protector |
| 33 | 38424003 | Switch Pedal - PH |
| 34 | 24735022 | * Circlip |
| 35 | 41424011 | Bag Flange Assem. |
| 36 | 36425023 | Clamp |
| 37 | 38673001 | Bellows - AG |
| 38 | 35217006 | Mounting Bracket - AW |
| 39 | 613802AY | * Shaft |
| 40 | 28212017 | Switch |
| 41 | 38426080 | Foot Pad - AG |
| 42 | 11735 | Roller Detent Assem. |
| 43 | 48409FW | Spring |
| 44 | 19907 | Bag Flange Clamp Lever |
| 45 | 13730 | * Lock Ring (4) |
| 46 | 46515007 | Bail Cord/Tubing Assem. |
| 47 | 38456050 | Handle Control Lever |
| 48 | 47450AY | Pivot Pin |
| 49 | 43263005 | Cam Follower |
| 50 | 41431013 | Wheel Shaft & Support Assem. |
| 51 | 34252005 | * Yoke |
| 52 | 161513 | Spring |
| 53 | 21312806 | * Washer |
| 54 | 27479307 | * Lead Wire Tie |
| 55 | 41961009 | Indicator Guide |
| 56 | 35276006 | Indicator Guide Spring |
| 57 | 41119009 | Retainer & Sleeving Assem. |
| 58 | 21447211 | +* Screw - Self Tapping (4) |
| 59 | 168278AY | +* Washer (4) |
| 60 | 12997AW | * Rivet (2) |
| 61 | 36951004 | Retainer (2) |
| 62 | 21256134 | * Rivet (2) |
| 63 | 39382011 | Indicator Lens |
| 64 | 42251336 | Hood Assem. - AG |
| 65 | 37246044 | Panel - AG |
| 66 | 52115214 | + Hood Nameplate |
| 67 | 36231151 | Furniture Guard - BU |

| Ref. No. | Part No. | Description |
|----------|----------|------------------------------------|
| 68 | 45533AY | +* Screw |
| 69 | 14062 | * Lock Washer |
| 70 | 40309020 | Motor Assem. Comp. - (P - 195) |
| 71 | 12559FW | Spring |
| 72 | 21447229 | * Screw - Self Tapping |
| 73 | 34665007 | Pivot Pin Retainer |
| 74 | 34791AG | Carrier Wheel (2) |
| 75 | 21312724 | * Washer (2) |
| 76 | 47457AY | Wheel Shaft (2) |
| 77 | 48422 | * Rivet - Tubular (2) |
| 78 | 42242277 | Main Body - AG |
| 79 | 21312781 | Washer (2) |
| 80 | 34784021 | Agitator Retaining Spring - AY (2) |
| 81 | 38313023 | Motor Lead Spring |
| 82 | N/A | |
| 83 | 48414021 | Agitator Assem. Comp. - HE |
| 84 | 44783AG | Belt |
| 85 | N/A | |
| 86 | 37245081 | Bottom Plate - AG |
| 87 | 36153006 | Bottom Plate Latch (2) |
| 88 | 21447229 | Screw - Self Tapping (2) |
| 89 | 21447020 | * Screw - Self Tapping (2) |
| 90 | 21447229 | Screw - Self Tapping (2) |
| 91 | 35434040 | Axle/Bag Flange Retainer |
| 92 | 38521019 | Rear Wheel - AG (2) |
| 93 | 32182001 | * Wheel Retainer (2) |
| 94 | 161509AY | Bail Shaft |
| 95 | 21256094 | * Rivet |
| 96 | 39441016 | Cord Clip - AG |
| 97 | 41128021 | Bag Clip & Spring |

PACKAGING MATERIAL

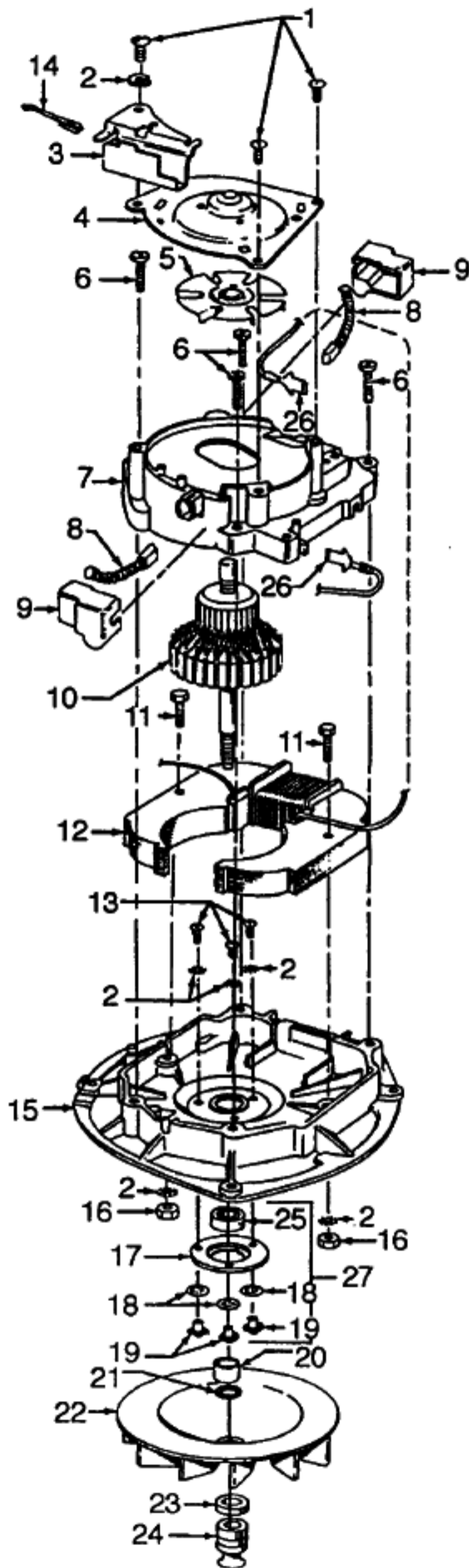
| | |
|----------|------------------------------|
| 58174087 | Cleaner Carton |
| 56711144 | Assem. Instruction Sheet |
| 56711140 | Operation Instruction Folder |
| 58216006 | Dirt Cup Middle Pad |
| 58343025 | Front Support |
| 58366012 | Rear Support |

Agitator 48414021



| Ref. No. | Part No. | Description |
|----------|----------|-------------------|
| 1 | 35366 | Thrust Spring |
| 2 | 48495AY | Thread Guard - LH |
| 3 | 43267002 | Bearing |
| 4 | 21347003 | * Washer |
| 5 | 41435070 | End |
| 6 | 32724008 | Shaft |
| 7 | 48445001 | Agitator Brush |
| 8 | 12985AY | Thread Guard - RH |

Motor 40309020
I-Speed w/o Guide



| Ref. No. | Part No. | Description |
|----------|----------|----------------------------|
| 1 | 45533AY | +* Screw |
| 2 | 14062 | * Washer |
| 3 | 41961009 | Indicator Guide |
| 4 | 42934002 | Motor Casing Cap Assm. |
| 5 | 38755005 | Vent Fan |
| 6 | 161535 | * Screw |
| 7 | 42195003 | Upper Motor Casing |
| 8 | 47318012 | Carbon Brush |
| 9 | 36315003 | Brush Insulator |
| 10 | 44768043 | Armature |
| 11 | 45118 | * Bolt |
| 12 | 45412015 | Field Coil |
| 13 | 21772501 | * Screw |
| 14 | 35276006 | Indicator Guide Spring |
| 15 | 42193006 | Lower Motor Case |
| 16 | 15673 | * Nut |
| 17 | 32184003 | Retainer |
| 18 | 19772 | * Washer |
| 19 | 45251 | Nut |
| 20 | 31731002 | Spacer |
| 21 | 166563 | * Washer |
| 22 | 38755011 | Fan - Poly |
| 23 | 31162004 | * Washer - Heat Insulating |
| 24 | 38532009 | Motor Pulley |
| 25 | 24152807 | Bearing |
| 26 | 14320 | * Terminal |
| 27 | 43267006 | Bearing Kit |