

Commercial Bagless

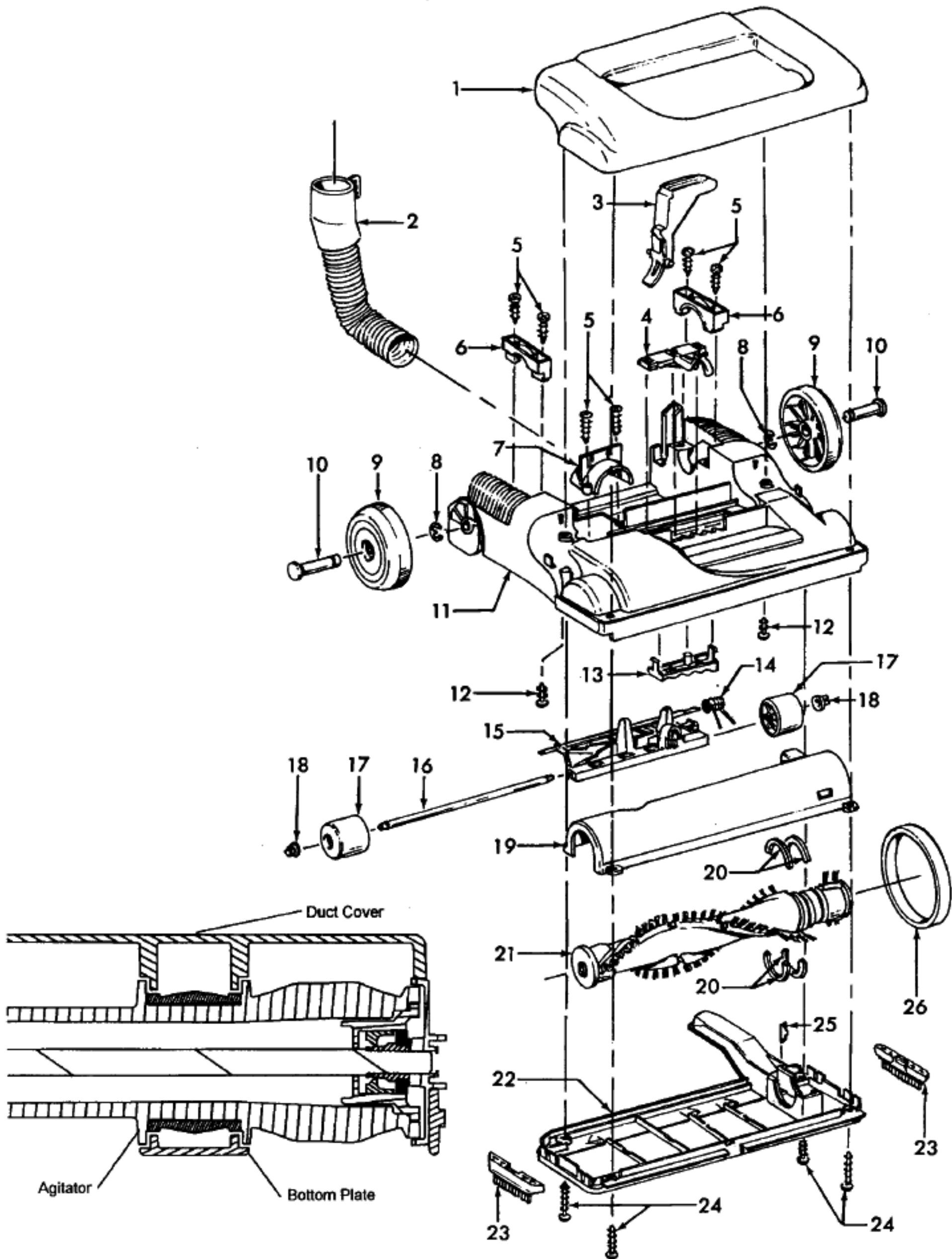
C1701-900

Ref. No.	Part No.	Description
1	39466065	Upper Handle (order item 2 & 56 also) C1701-900
2	3944201P	Cord Wrap - ABE
3	27479307	* Wire Tie
4	27618508	* Wire Connector
5	N/A	Terminal
6	28161067	Switch - 1/4" terminals
7	N/A	Terminal
8	37259003	Upper Housing - ABE (Includes items 46 and 47, order item 43 also)
9	40201149	Handle Hardware (Inc. item 40)
10	27482231	Strain Relief
11	46383058	Cord - 40 Ft.
12	31178017	Hose Connector Gasket
13	38641005	Hose Connector (also order it. 12)
14	43434031	Hose Assembly
15	21447242	Screw (4)
16	36433112	Tool / Hose Holder - ABE
17	23149002	Screw
18	43431005	Angled Connector Assem. w/Hose
19	34311004	Wire Opening Seal
20	3861401E	Furniture Nozzle - ABR
21	38617027	Crevice Tool - ABR
22	43414162	Dusting Brush Assembly - ABR
23	38634078	Extension Tube - AG (2)
24	36322035	Motor Mount - Large
25	43576180	Motor Assembly
	41311017	Motor Brushes (2)
	43566016	Motor Fan Assembly
26	28382086	Thermal Protector
	51873001	Thermal Protector Label
27	21447230	* Screw (5)
28	37196159	Motor Cover - AG
29	21447228	* Screw (2)
30	39383107	Lens
31	38781061	Rope Seal
32	37944010	Cover - ABE
33	21447072	* Screw
34	47173027	Wiring Harness
35	27313101	Dirt Finder Lamp
36	34131019	Wire Opening Plug
37	36322030	Motor Mount - Small
38	38765019	Secondary Filter
39	36426059	Secondary Filter Retainer - AG (Includes item 53) C1701-900
40	21641558	* Hex Nut (2)
	40201149	Handle Hardware (Inc. it. 9)
41	36426038	Filter Holder - ABE
42	38766008	Final Filter
	40110004	Final Filter Pack (3 Layer - Qty. 2)
43	38784089	Intake Seal - Dirt Cup
44	36151032	Latch - Dirt Cup
45	36426053	Pre-Filter Screen
46	36433116	Lower Wand Holder
47	36433117	Upper Wand Holder
48	36426056	Filter Support
49	37249029	Dirt Cup Lid - AG -C1701-900
50	38421104	Latch Actuator
51	38775095	Dirt Cup - C1701-900

Ref. No.	Part No.	Description
52	40110008	Primary Filter
53	38784084	Exhaust Seal - Dirt Cup
54	38355015	Spring
55	21447041	Screw
56	39458027	Carry Handle - AG
57	43457024	Hose Door Assembly

Items not illustrated

56511B70	Owner Manual - C1701-900
58174101	Carton - Common
27478456	Attach. Cord Clamp
49811073	Lead Wire - Red
43434042	Hose - 20' Stretch
39441016	Cord Clip (used to extend lower cord hook)
21447236 *	(used to secure Cord Clip 39441016)



Commercial WindTunnel**Models C1703-900, C1703-920, C1705-900**

Ref. No.	Part No.	Description
1	37253292	Hood - AG - 15" - C1705-900
	37253291	Hood - AG - 13" - C1703-900, C1703-920
2	43431005	Angled Hose Conn. Assem.
3	38458043	Handle Release Lever
4	40309004	Nozzle Adj. Lever - (Inc. item 13)
5	21447072 *	Screw Self Tapping
6	36131094	Trunnion Cover - ABE
7	36171044	Hose Clamp - ABE
8	160017 *	Retaining Ring
9	43244004	Rear Wheel
10	32434008	Rear Axle - AAX
11	37242123	Main Body - ABE -15" - C1705-900
	37242124	Main Body - ABE -13" C1703-900, C1703-920
12	21447228 *	Screw Self Tapping
13	40309004	Nozzle Adj. Cam - (Inc. item 4)
14	38355010	Torsion Spring
15	36432027	Front Wheel Support
	43248057	Front Wheel Assembly - (Inc. items 15, 16, 17, 18)
16	32541003	Wheel Shaft
17	38521004	Front Wheel
18	36131056 *	Wheel Retainer
19	40309034	Bottom Plate / Duct Cover - 15" C1705-900 - Labrynth Design
	40309026	Bottom Plate / Duct Cover - 15" C1705-900
	40309025	Bottom Plate / Duct Cover - 13" C1703-900, C1703-920
20	38781053 *	Agitator Pulley Seal
21	48414063	Agitator Assem. Comp. - 15"
	48414110	Agitator Assem. Comp. - 13"
22	40309034	Bottom Plate / Duct Cover - 15" C1705-900 - Labrynth Design
	40309026	Bottom Plate / Duct Cover - 15" C1705-900
	40309025	Bottom Plate / Duct Cover - 13" C1703-900, C1703-920
23	39511006	Litter Picker (2)
24	21447121 +*	Screw Self Tapping
25	13261AY *	Rug Nozzle Rib Shoe
26	38528033	Belt