

Commercial WindTunnel

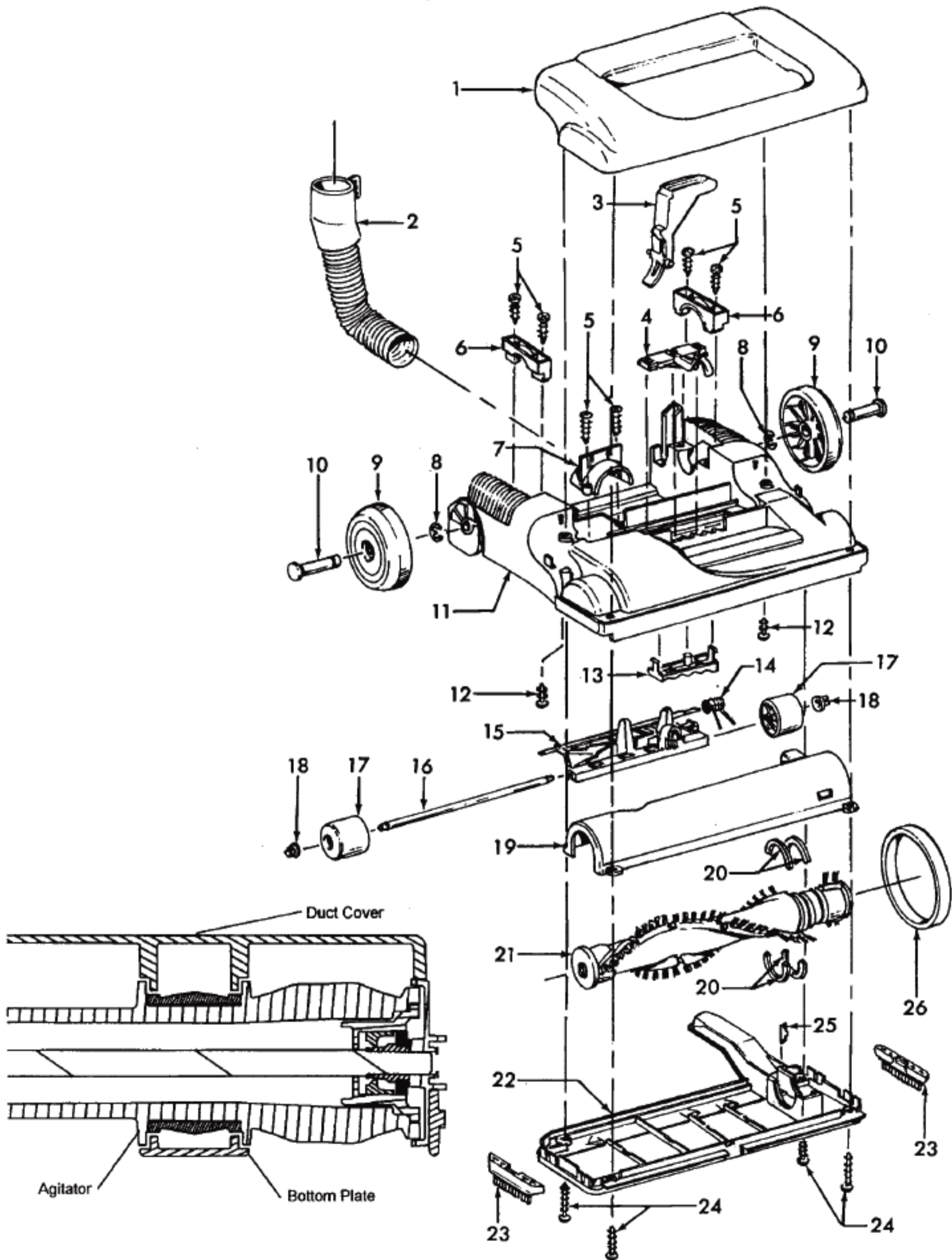
Model C1703-900, C1703-920, C1705-900

Ref. No.	Part No.	Description	Ref. No.	Part No.	Description
1	48663207	Upper Handle Assm. (Inc. item 2)	31	34123050	Bag Door Gasket - Bottom
	37911081	Handle Cap - Standard	32	37944010	Cover - ABE
2	39442043	Cord Wrap - ABE	33	21447072	* Screw
3	27479307	* Wire Tie	34	47173023	Wiring Harness - 3/16" terminal
4	27618508	* Wire Connector		47173027	Wiring Harness - 1/4" terminal (See note 1)
5	N/A	Terminal	35	27313101	Dirt Finder Lamp
6	28161063	Switch - 3/16" terminals	36	34131019	Wire Opening Plug
	28161067	Switch - 1/4" terminals	37	36322030	Motor Mount - Small
7	N/A	Terminal	38	38765019	Secondary Filter
8	37255013	Bag Housing - ABE	39	36426034	Secondary Filter Retainer
9	40201149	Handle Hardware	40	21641558	* Hex Nut (2)
10	27482231	Strain Relief	41	36426039	Filter Holder - ABE
11	46583046	Cord - 35' - C1703-900 - 3/16" terminal	42	43613006	Cartridge Filter
	46583047	Cord - 50' - C1705-900 - 3/16" terminal	43	4010100Y	Throw Away Bag (3 pack)
	46583051	Cord - 35' - C1703-900 - 1/4" terminal (See note 1)		43667051	Cloth Reusable "Y" Bag
	46583052	Cord - 50' - C1703-920, C1705-900 - 1/4" terminal (See note 1)	44	38781057	Bag Door Gasket
12	31178017	Hose Connector Gasket	45	37254102	Bag Housing Door - AG (Inc. items 31, 44)
13	38641005	Hose Connector (also order it. 12)	46	43457024	Nozzle Hose Ext. w/ Door
14	43434031	Hose Assembly	47	36433117	Upper Wand Holder
15	21447242	Screw (4)	48	36433116	Lower Wand Holder
16	36433112	Tool / Hose Holder - ABE	49	27478456	Attachment Cord Clamp
17	23149002	Screw		56511A46	Owner Manual
18	43431005	Angled Connector Assembly		58185195	Carton
19	34311004	Wire Opening Seal			
20	3861401E	Furniture Nozzle - ABR			
21	38617027	Crevice Tool - ABR			
22	43414162	Dusting Brush Assembly - ABR			
23	38634078	Extension Tube - AG (2)			
24	36322035	Motor Mount - Large			
25	43576180	Motor Assembly			
	41311017	Motor Brushes (2)			
	43566016	Motor Suction Fan			
26	47534024	Thermal Protector - 3/16" terminal			
	28382086	Thermal Protector - 1/4" terminal (See note 1)			
27	21447230	* Screw (5)			
28	37196009	Motor Cover - AG			
29	21447228	* Screw (2)			
30	39383107	Lens			

Items not illustrated

66655413	Cord Protector - (Located 10" above the strain relief - item 10. Held into position by item 49.)
39441016	Cord Clip - (Used to extend lower cord hook. Ref: Service Bulletin 3-99)
21447236 *	Screw - (Used to secure 39441016 cord clip)
49811073	Lead Wire - red - 1/4" terminal (lead wire from cord to switch) (See note 1)

Note 1 - Models produced after June 2000 incorporated 14 gauge wiring and associated electrical components with 1/4" terminals. Ref. Service Bulletin 4-00.



Commercial WindTunnel**Models C1703-900, C1703-920, C1705-900**

Ref. No.	Part No.	Description
1	37253292	Hood - AG - 15" - C1705-900
	37253291	Hood - AG - 13" - C1703-900, C1703-920
2	43431005	Angled Hose Conn. Assem.
3	38458043	Handle Release Lever
4	40309004	Nozzle Adj. Lever - (Inc. item 13)
5	21447072 *	Screw Self Tapping
6	36131094	Trunnion Cover - ABE
7	36171044	Hose Clamp - ABE
8	160017 *	Retaining Ring
9	43244004	Rear Wheel
10	32434008	Rear Axle - AAX
11	37242123	Main Body - ABE -15" - C1705-900
	37242124	Main Body - ABE -13" C1703-900, C1703-920
12	21447228 *	Screw Self Tapping
13	40309004	Nozzle Adj. Cam - (Inc. item 4)
14	38355010	Torsion Spring
15	36432027	Front Wheel Support
	43248057	Front Wheel Assembly - (Inc. items 15, 16, 17, 18)
16	32541003	Wheel Shaft
17	38521004	Front Wheel
18	36131056 *	Wheel Retainer
19	40309034	Bottom Plate / Duct Cover - 15" C1705-900 - Labrynth Design
	40309026	Bottom Plate / Duct Cover - 15" C1705-900
	40309025	Bottom Plate / Duct Cover - 13" C1703-900, C1703-920
20	38781053 *	Agitator Pulley Seal
21	48414063	Agitator Assem. Comp. - 15"
	48414110	Agitator Assem. Comp - 13"
22	40309034	Bottom Plate / Duct Cover - 15" C1705-900 - Labrynth Design
	40309026	Bottom Plate / Duct Cover - 15" C1705-900
	40309025	Bottom Plate / Duct Cover - 13" C1703-900, C1703-920
23	39511006	Litter Picker (2)
24	21447121 +*	Screw Self Tapping
25	13261AY *	Rug Nozzle Rib Shoe
26	38528033	Belt