



# Conquest Cleaner

Model C1800, U7069-080

Ref. No.	Part No.	Description
1	39454060	Handle Grip
2	39442017	Cord Hook - AG
3	21479254	* Screw
4	46583148	Attach. Cord - AAW - 50
5	36215025	Cord Protector - AAW
6	36172040	Cord Clamp
7	13704	* Washer
8		
9	21765140	* Screw
10	21631301	Handle Bolt
11	34797008	Clamp Band
12	48631149	Handle Assembly (Inc. item 6, 10, 25)
	39467069	+ Handle - Only - AX
13	21831024	Handle Bolt
15	38335008	Spring
16	38426030	Foot Pad - AG
17	43151006	Handle Control Lever (Inc. item 16)
18	21447003	* Screw
19	32215002	Shaft
20	35214009	Lever Support
22	41416022	Bail - AX
24	36172015	Cord Retainer
25	32277008	Handle Nut
26	32512001	Rear Axle
27	163110	* Washer
28	162143	Bearing
29	38522036	Rear Wheel - AG
30	160017	* Lock Ring
31	36231084	Furn. Guard - AG - Short - U7069-080
	36231154	Furniture Guard - BU - Short - C1800
32	32563009	Bail Shaft
33	42256106	Exhaust Flange
36	36216008	Cord Protector
37	27478611	+ Strain Relief
38	37257074	Cap - LY - U7069-080
	37257282	Cap - AFA - C1800
39	38657020	Air Duct
40	162961	Insulating Pod
41	28212009	Push Switch
42	27479307	* Lead Wire Tie
43	38426047	Switch Pedal - AG
44	36222017	Wear Strip - RH - U7069-080
	36222021	Wear Strip - RH - AG - C1800
45	21364102	* Speed Nut
46		<b>Note: All Hoods include items 44, 45, 49</b>
	37252016	Hood - AAW - U7069-080
	37252024	Hood - AG - C1800
47	38783005	Gasket
48	52115108	Nameplate - U7069-080
	51353002	Nameplate - C1800
49	36222012	Wear Strip - LH - U7069-080
	36222014	Wear Strip - LH - C1800

Ref. No.	Part No.	Description
50	43574106	Motor - 6.5 (P. 161)
51	36171030	Clamp
52	163055	* Terminal
53	38671008	Bellows
54	21652005	* Hex Nut (2)
55	21852158	Nut
56	36321002	Mounting Bracket
57	32724010	Sandwich Mount
58	17001FW	* Screw
59	38528036	Belt
60	43256002	Pulley
61	31158008	Brass Washer
62	43256007	Pulley Arm
63	36321006	Support Bracket
64	13730	* Lock Ring
65	31534001	Shaft
66	38671005	Duct Boot
67	34253013	Duct Gasket
68	41119008	Cap Lock - LY
69	34141005	Motor Cushion
70	41211004	Furniture Guard - AG - U7069-080
	36231153	Furniture Guard - BU - C1800
71	37241116	Main Body
72	38528013	V-Belt
73	38522034	Wheel - Front
74	21312754	* Washer
75	32543005	Front Axle
76	34122019	* Bottom Plate Duct Seal
77	37245066	Bottom Plate
78	48416035	Agitator (P. 157)
79	21447215	* Screw
80	38381005	Spring
81	36436005	Adjustment Cap - AG
82	35121001	Access Door
83	37241116	Main Body
84	15854EF	* Nut
87	31164004	Motor Cushion

### PACKAGING MATERIAL

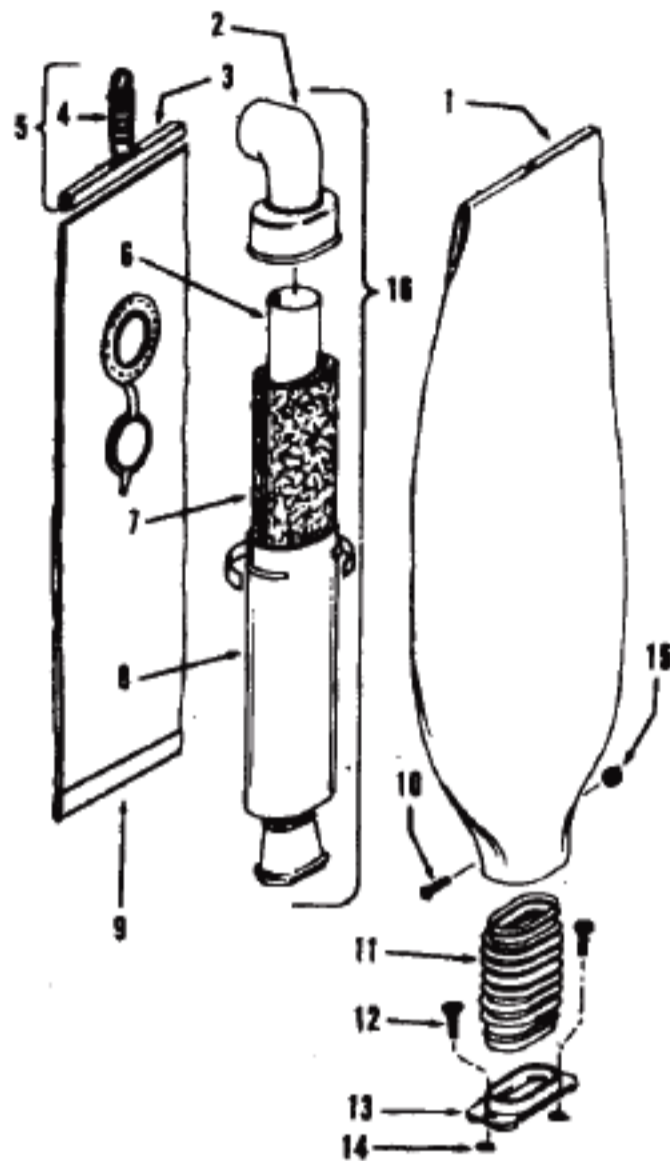
56711051	+ Assm. Inst. Sheet - U7069-080
56711147	Assm. Inst. Sheet - C1800
56711052	Operating Inst. Folder - U7069-080
56711143	Operating Inst. Folder - C1800
58185144	Carton - U7069-080
58152117	Carton - C1800
Not available	Front Top Support
Not available	Rear Top Support
Not available	Rear Support

### ITEMS NOT ILLUSTRATED

37257086	Intake Duct (Duct on top of motor)
34132019	Motor Cushion (Mounts to item 82)
51638061	Object Cleanout Label
51664023	Lens Label

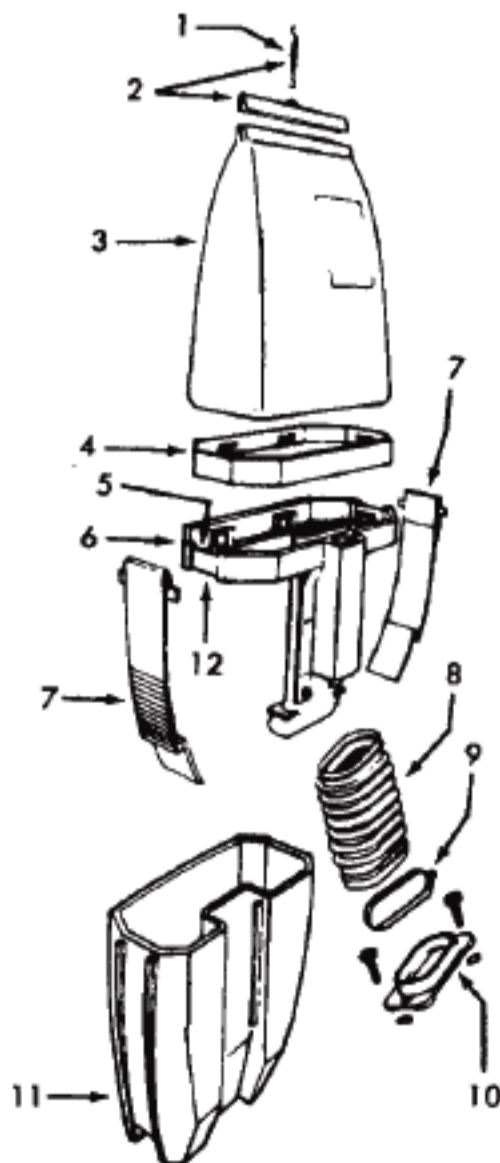
CLOTH BAG ASSEMBLY / DUST CUP ASSEMBLY P. 158

# Conquest Cleaner



## Cloth Bag Assm. 40201060 (Warehouse)

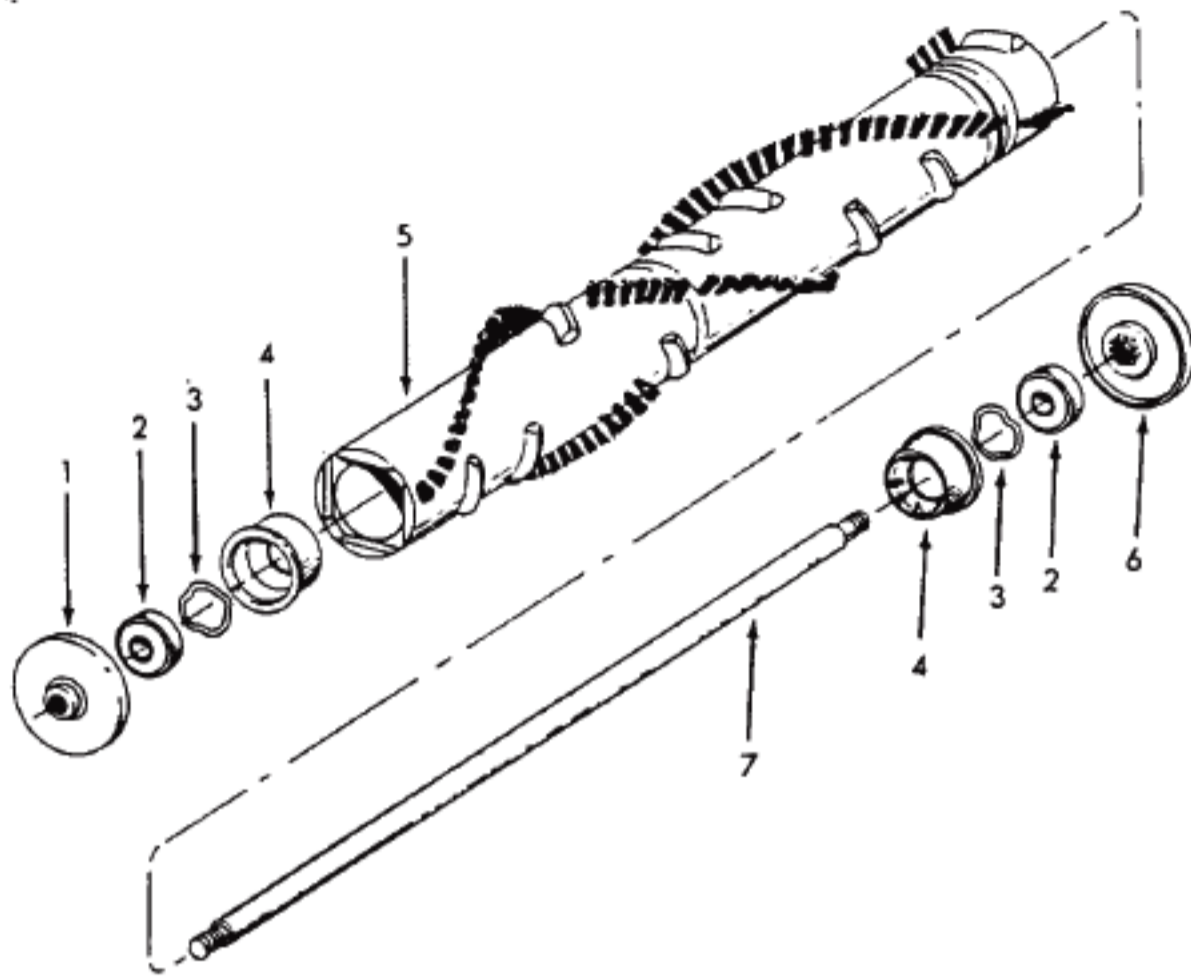
Ref. No.	Part No.	Description
	43678060	Cloth Bag Assm. AG (Inc. items 1-16)
1	43674055	Outer Cloth Bag - AG
2	38657012	Top Fill Tube
3	36425026	Bag Closure Clip - AG
4	38336019	Spring
5	41128016	Bag Spring/Clip Assm.
6	31746020	Liner
7	34133005	Foam Muffler
8	37257083	Housing
9	43667037	Inner Cloth Bag - Early Style
	43667054	Inner Cloth Bag - Late Style with clip on bottom (pictured)
10	17206	Screw
11	38673010	Bellows
12	36112002	Screw
13	36425005	Bag Flange
14	13759	Lock Ring
15	15854EF	Nut
16	42256012	Muffler Assm.
	4010001A	Paper Bag - (3 Pk.) (Optional)
	4010100A	Paper Bag - (3 Pk.) Allergen Filtration (Optional)



## Dust Cup Kit 58642015 (Warehouse)

Ref. No.	Part No.	Description
1	38336019	Spring
2	41128016	Bag Spring/Clip Assm.
3	43667040	Cloth Bag - Orange
	43667056	Cloth Bag - Black
4	35173001	Bag Expander
5	34112015	Seal
6	41427012	Cup Support & Bellows - LY
7	36155011	Latch - AG
8	38673001	Bellows - AG
9	49044	Clamp
	17206	Screw
	15854EF	Nut
10	41424018	Bag Flange
11	38775001	Dust Cup
12	34123020	Seal





Ref. Part  
No. No. Description

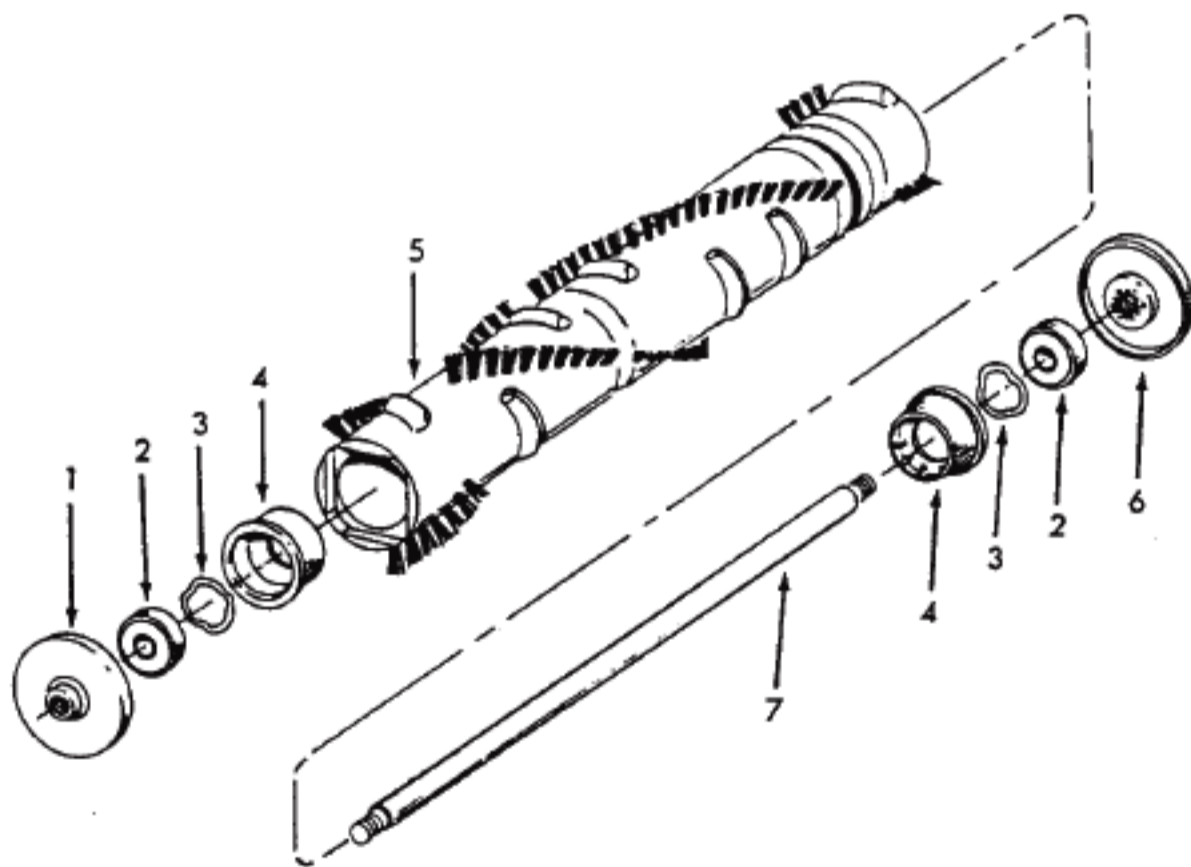
**Agitator 48416036 - 18"**

1	41435066	Thread Guard
2	24152807	Bearing
3	21345113	* Wave Spring Washer
4	36422004	AgitatorEnd
5	48416017	Agitator Body w/Ends
6	41435061	Thread Guard
7	32873004	Agitator Shaft

Ref. Part  
No. No. Description

**Agitator 48416035 - 14"**

1	41435066	Thread Guard
2	24152807	Bearing
3	21345113	* Wave Spring Washer
4	36422004	AgitatorEnd
5	48416013	Agitator Body w/Ends
6	41435061	Thread Guard
7	32873007	Agitator Shaft



**Conquest Cleaner - Motor- 43574106 (6.5 & 7.0 Amp) + 43576059 (5.2 Amp)**

Ref. No.	Part No.	Description	Ref. No.	Part No.	Description
1	36128003	Lock Washer	15	21345115	Washer
2	33426001	Nut	16	37257086	Air Intake Duct
3	21447072	* Screw	17	21447041	Screw
4	38736025	Fan Chamber Cover	18	47315010	Carbon Brush
5	38755012	Fan	19	47318008	Brush Carrier Assm.
6	21641557	* Nut	20	21479302	Screw
7	43588018	Fan Chamber	21	38353004	Spring
8	32724015	Sandwich Mount	22	21338006	Lock Washer
9	12854	Spring	23	37191090	Motor Housing
10	24152807	Bearing	24	21563061	Screw
11	24198001	* Star Ring	25	12503EF	Rivet
12	12025	* Retainer	26	166563	Washer
13	45311042	+ Field Coil ( 5.2 Amp) use 45311056	27	45517	Lead Wire Holder
	45311056	Field Coil (6.0 & 7.0 Amp)			
14	44765184	Armature (5.2 Amp)			
	44765187	Armature (6.0 & 7.0 Amp)			

**(6.5 & 7.0 Amp)**

(Yellow Sleeve on Armature)

