

Model Number: C1810---

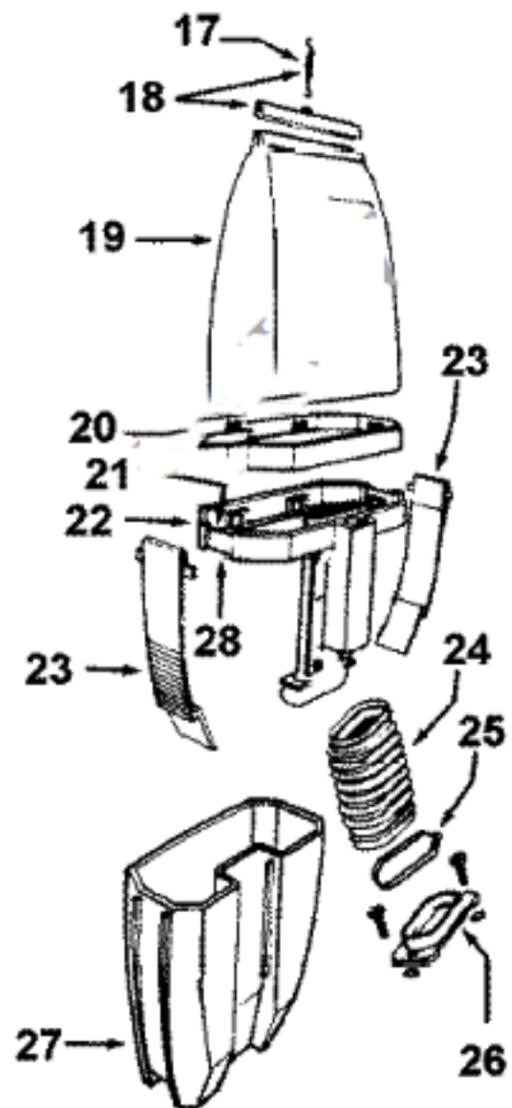
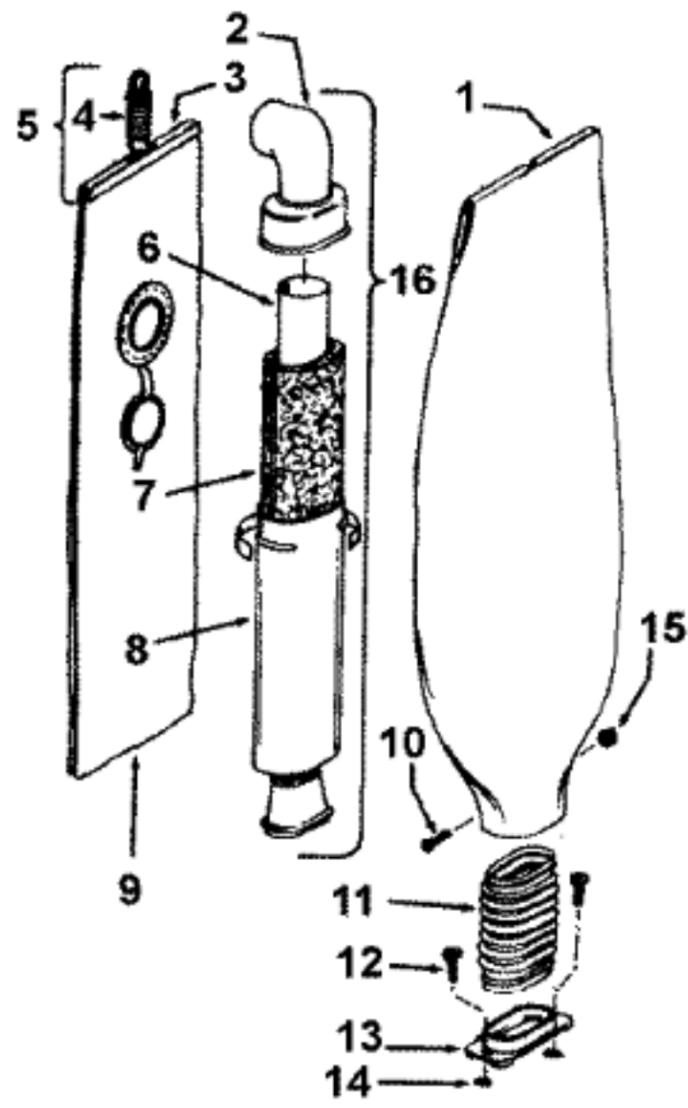
BOM/Serial #: C1810---

Graphic Title: HANDLE, MAINBODY, HOOD, SWITCH

Image	Key	Part Number	Description	Substitution	Qty.
1	1	36222014	Wear Strip-LH-C1800		1
1	1	48631149	HANDLE ASSEMBLY COMP		1
1	1	39467069	HANDLE-AX-CONQUEST		1
1	2	39454060	HANDLE GRIP ASSEM-CO		1
1	3	39442017	CORD HOOK-AG-C1E01		1
1	4	013730--	LOCK RING		1
1	5	21631301	HANDLE CLAMP BOLT		1
1	6	36215025	CORD PROTECTOR-HP-U7		1
1	7	21447215	SCREW-SELF TAPPING		1
1	8	46583148	ATTACHMENT CORD - 50	91001025	1
1	9	36172040	CORD RET CLAMP-U7069		1
1	10	013704--	LOCK WASHER		1
1	11	36222012	WEAR STRIP - LH		1
1	12	32277008	HANDLE CLAMP NUT		1
1	13	21831024	HANDLE BOLT-U7069/71		1
1	14	36172015	CORD RETAINER-HP-U70		1
1	15	41416022	BAIL-AX-C1E01		1
1	16	36216008	CORD PROTECTOR-AG-U7		1
1	19	42256106	EXHAUST FLANGE ASSM-		1
1	20	160017--	LOCK RING		1
1	21	32563009	BAIL SHAFT-U7069/71		1
1	22	32512001	REAR WHEEL AXLE-U706		1
1	23	163110--	WASHER		1
1	24	162143--	REAR WHEEL BEARING-U		1
1	25	38522036	REAR WHEEL - AG - U7		1
1	26	51353002	Nameplate-Hood-C1820		1
1	26	51363002	NAMEPLATE - C1810		1
1	27	36231084	FURNITURE GUARD		1
1	27	36231154	Furn Guard-BU-Short		1
1	29	21447215	SCREW-SELF TAPPING		1
1	30	35121001	ACCESS DOOR-U7069/71		1
1	31	21447003	SCREW		1
1	32	36436005	HEIGHT ADJ CAP-AG-C1		1
1	33	38381005	SPRING-U7069/71		1
1	34	21312754	WASHER-U7069/71		1

Image	Key	Part Number	Description	Substitution	Qty.
1	35	38522034	WHEEL - FRONT - U706		1
1	36	48416036	AGITATOR COMPLETE-U7		1
1	37	34122019	BOTTOM PLATE DUCT SE		1
1	38	32543005	FRONT AXLE-U7069/71		1
1	39	34132019	MOTOR CUSHION-CONQUE		1
1	39	37257086	AIR INTAKE DUCT - U7		1
1	39	51664023	Lens Label		1
1	39	38528013	V-BELT-U7069/71		1
1	39	51638061	Object Cleaout Label		1
1	39	41211006	FURNITURE GUARD		1
1	40	36231061	Furn Guard-Long-BU		1
1	41	37241115	MAIN BODY - AG - U70		1
1	42	34141005	MOTOR CUSHION-U7069/		1
1	43	41119008	CAP-LOCK ASSEM.		1
1	44	34253013	AIR DUCT GASKET-U706		1
1	45	38657020	AIR DUCT-BZ-U7069/71		1
1	46	31534001	SHAFT PULLEY ARM SUP		1
1	47	37245064	BOTTOM PLATE-U7071		1
1	48	36321006	MOTOR SUPP BRACKET-U		1
1	49	21852158	NUT		1
1	50	43256007	PULLEY ARM & SHAFT-U		1
1	51	31158008	BEARING-U7069/71		1
1	52	43256002	PULLEY ASSEMBLY-U706		1
1	53	38528036	BELT-CONQUEST/PN-WT		1
1	54	017001FW	SCREW		1
1	55	32724010	SANDWICH MOUNT-U7069		1
1	56	21652005	HEX NUT-U7069/71		1
1	57	43574106	MOTOR - 6.5 - U7069-		1
1	58	21765140	SCREW-U7069-71		1
1	59	34797008	CLAMP BAND-U7069-71		1
1	60	38671008	EXHAUST FLANGE BELLO		1
1	61	162961--	INSULATING POD-0517		1
1	62	163055--	TERMINAL-0910		1
1	63	015854EF	NUT		1
1	64	38671005	DUCT BOOT-JM-U7069/7		1
1	65	32215002	SHAFT-U7069/71		1
1	66	35214009	FOOT LEVER SUPPORT-U		1
1	67	37257282	CAP-AFA		1

Image	Key	Part Number	Description	Substitution	Qty.
1	67	37257074	CAP	37257282	1
1	68	27478611	STRAIN RELIEF - C207		1
1	69	38335008	SPRING-U7069/71		1
1	70	38426030	FOOT PAD-AG-U3301		1
1	71	43151006	HDL CONT LEVER-AG-C1		1
1	72	27479307	CABLE TIE		1
1	73	28212009	SWITCH-U7069		1
1	74	36171030	SWITCH CLAMP-U7069/7		1
1	75	38426047	SWITCH PEDAL-AG-C1E0		1
1	76	36222021	Wear Strip-RH-AG		1
1	76	36222017	WEAR STRIP - RH		1
1	77	21364102	SPEED NUT-U7069/71		1
1	78	31164004	MOTOR CUSHION-U4347		1
1	79	56711147	Assem. Inst. Sheet		1
1	79	56711143	Oper Inst. Folder		1
1	79	37252010	HOOD - AAW - U7071-0		1
1	79	37252031	Hood-AG-C1810		1
1	80	36321002	MOUNTING BRACKET-U70		1
1	81	38783005	INTAKE DUCT GASKET-U		1
1	82	56711052	OWNER MANUAL-U7069/7		1
1	82	56711160	OWNERS MANUAL - C1805		1
1	82	56711051	ASSEM INSTRUCTION SH		1



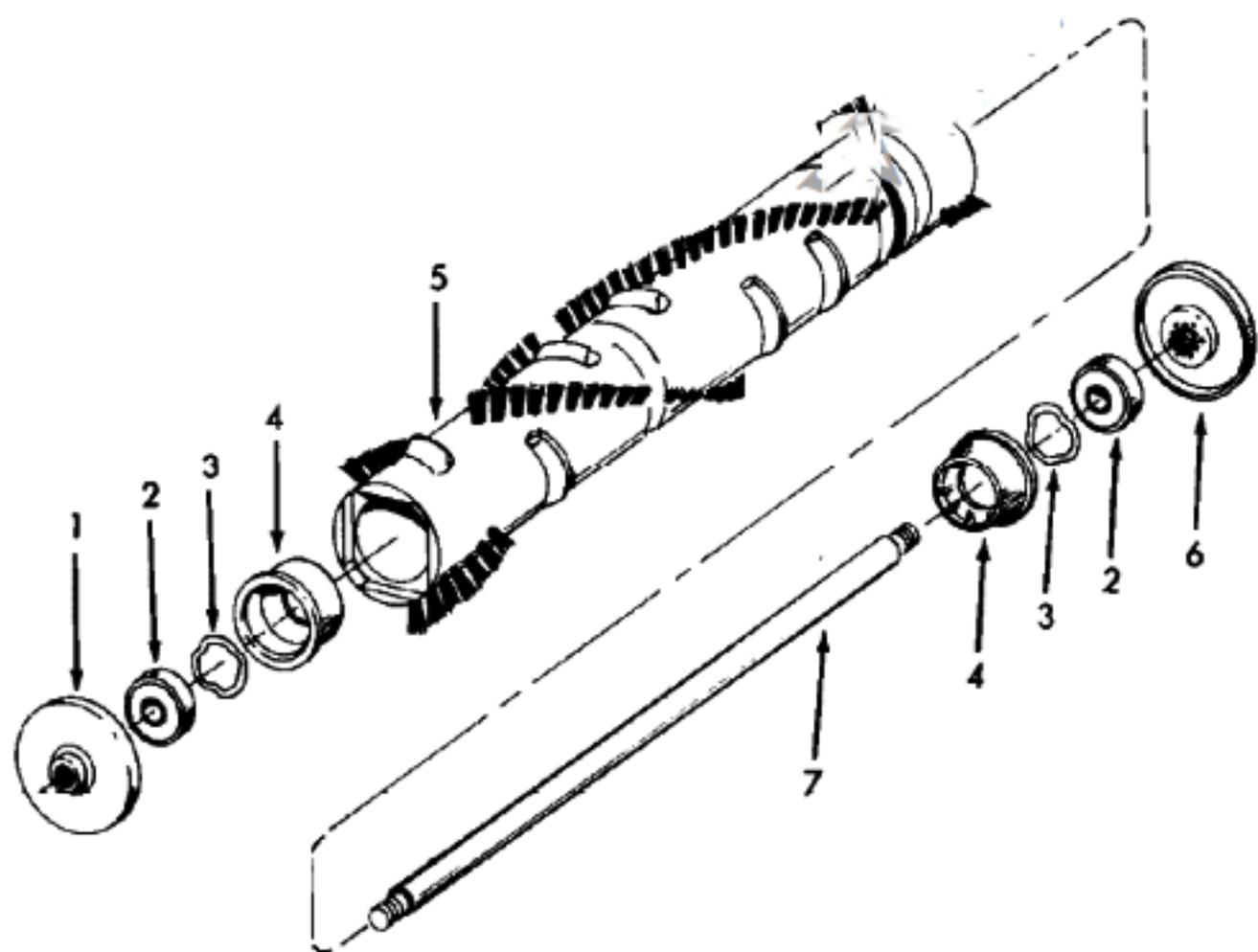
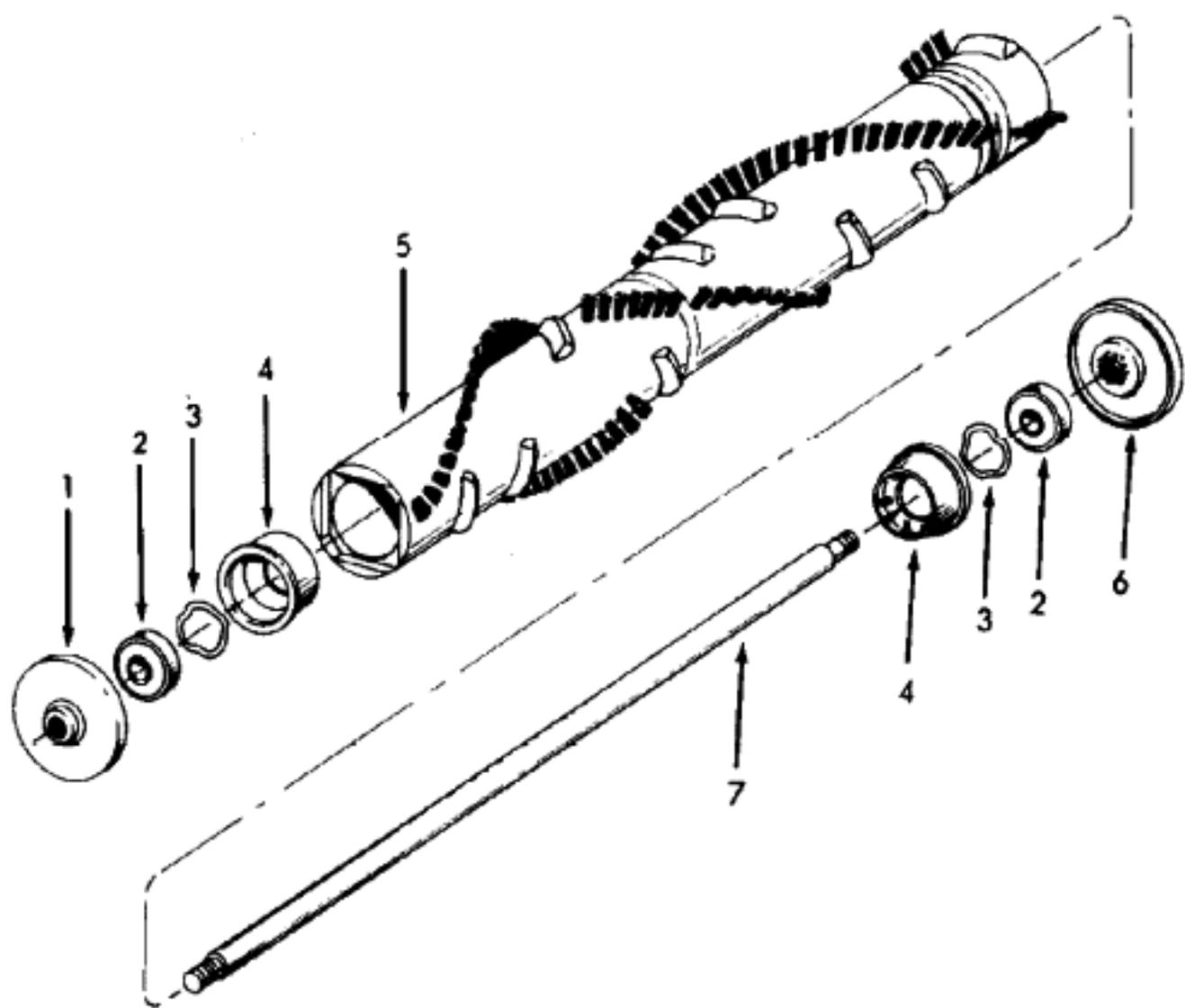
Model Number: C1810---

BOM/Serial #: C1810---

Graphic Title: DIRTCUP, OUTERBAG

Image	Key	Part Number	Description	Substitution	Qty.
1	1	43674055	OUTER BAG ASSEMBLY H		1
1	2	38657012	TOP FILL TUBE-U7069/		1
1	3	36425026	EXP-BAG CLOSURE CLIP		1
1	4	38336019	JACKET SUPP SPRING-U		1
1	5	41128016	BAG SPING/CLIP ASSEM		1
1	6	31746020	MUFFLER LINER-U7069/		1
1	7	34133005	FOAM MUFFLER-U7069/7		1
1	8	37257083	MUFFLER HOUSING-U706		1
1	9	43667037	INNER BAG ASSEM W/LA		1
1	9	4010100A	ALLER FILT BAG A		1
1	9	43667054	Inner Cloth Bag-Conq		1
1	10	017206--	SCREW 64		1
1	11	38673010	BELLOWS-U7069/71		1
1	12	36112002	SCREW-7069/71		1
1	13	36425005	BAG FLANGE-U7069/71		1
1	14	013759--	LOCK RING		1
1	15	015854EF	NUT		1
1	16	42256012	MUFFLER ASSEMBLY-U70		1
1	16	4010001A	TOP FILL UPR BAG - 3-PK		1
1	17	38336019	JACKET SUPP SPRING-U		1
1	18	41128016	BAG SPING/CLIP ASSEM		1
1	19	43667040	CLOTH BAG-AAW/AG	43667056	1
1	20	35173001	BAG EXPANDER-U7063		1
1	21	34112015	SEAL	34122009	1
1	22	41427012	CUP SUPPORT		1
1	23	36155011	LATCH - AG - U7063		1
1	24	38673001	BELLOWS - AG		1
1	25	049044--	CLAMP BAND		1
1	25	017206--	SCREW 64		1
1	25	015854EF	NUT		1
1	26	41424018	BAG FLANGE		1
1	27	38775001	DIRT CUP-U7063		1
1	28	34123020	GASKET		1
1	29	43678060	OUTER BAG COMP-U7069		1
1	29	58642015	DIRT CUP ASSEM KIT		1

Image	Key	Part Number	Description	Substitution	Qty.
1	88	43667056	CLOTH BAG-AG		1



Model Number: C1810---

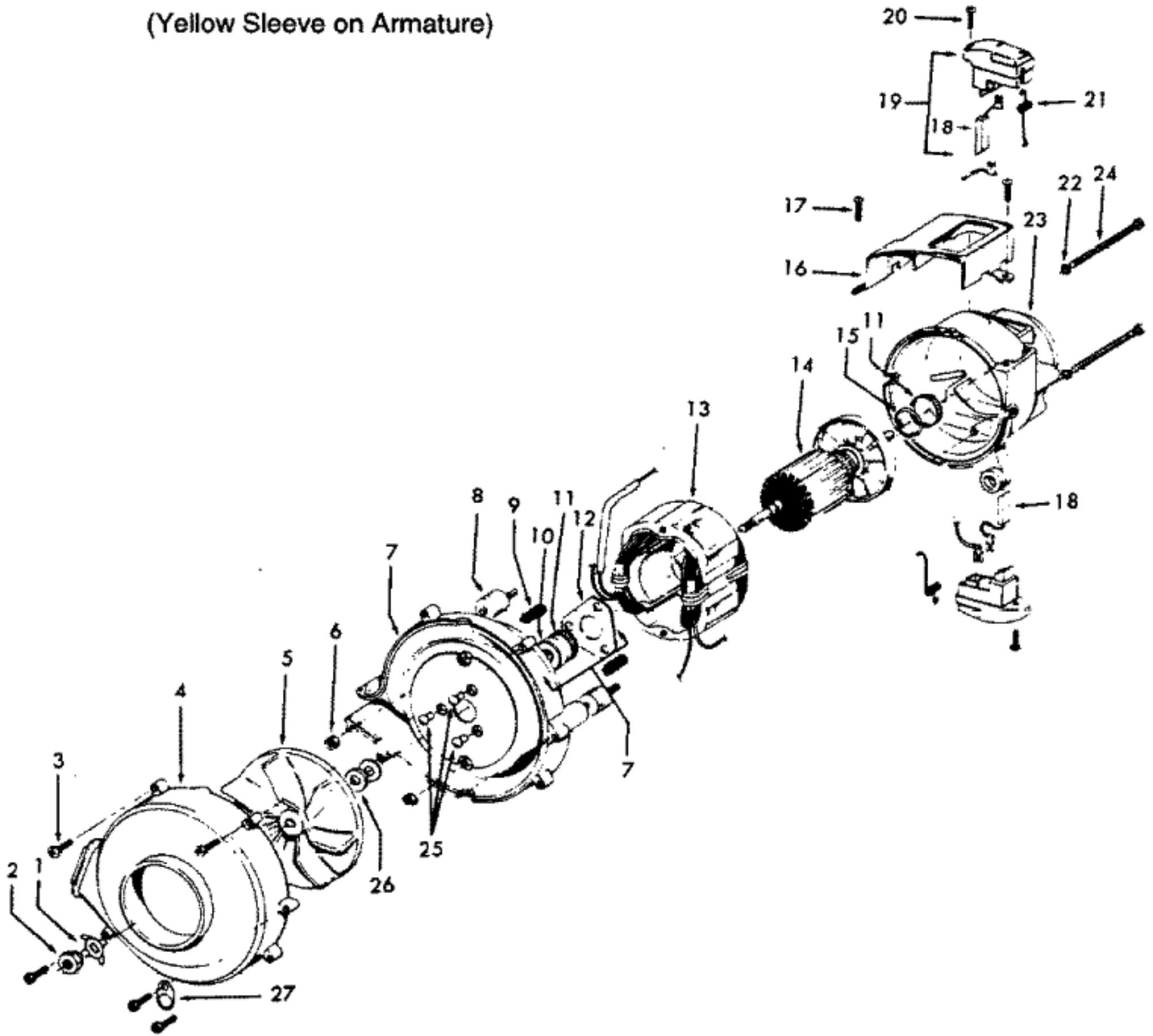
BOM/Serial #: C1810---

Graphic Title: AGITATOR

Image	Key	Part Number	Description	Substitution	Qty.
1	1	41435066	THREAD GUARD ASSM-U7		1
1	2	24152807	MOTOR BEARING - 8MM		1
1	3	21345113	WAVE SPRING WASHER-U		1
1	4	36422004	AGITATOR END-U7069/7		1
1	5	48416017	AGITATOR BODY & ENDS		1
1	5	48416013	AGITATOR BODY & ENDS		1
1	6	41435061	THREAD GUARD ASSM-U7		1
1	7	32873007	AGITATOR SHAFT-U7069		1
1	7	32873004	AGITATOR SHAFT-U7071		1
1	8	48416036	AGITATOR COMPLETE-U7		1
1	8	48416035	AGITATOR COMPLETE-U7		1

(6.5 & 7.0 Amp)

(Yellow Sleeve on Armature)



Model Number: C1810---

BOM/Serial #: C1810---

Graphic Title: MOTOR ASSEMBLY

Image	Key	Part Number	Description	Substitution	Qty.
1	1	36128003	LOCK WASHER		1
1	2	33426001	NUT-S3005		1
1	3	21447072	SCREW		1
1	4	38736025	FAN CHAMBER COVER-U7		1
1	5	38755012	FAN -U7069		1
1	6	21641557	NUT-U7069/71		1
1	7	43588018	FAN CHAMBER ASSM-U70		1
1	8	32724015	SANDWICH MOUNT-U7069		1
1	9	012854--	SPRING		1
1	10	24152807	MOTOR BEARING - 8MM		1
1	11	24198001	STAR RING-U7069/71		1
1	12	012025--	MTR BRG RETAINER-U70		1
1	13	43511042	(5.2 AMP) USE 45311056		1
1	13	45311056	FIELD COIL - 6.5 - U	90001007	1
1	14	44765187	ARMATURE		1
1	14	44765184	ARMATURE - C1119		1
1	15	21345115	WAVE SPRING WASHER		1
1	16	37257086	AIR INTAKE DUCT - U7		1
1	17	21447041	SCREW		1
1	18	47315010	BRUSH & TERM ASSM-U7		1
1	19	47318008	BRUSH CARRIER ASSM-U		1
1	20	21479302	SCREW-U7069/71		1
1	21	38353004	SPRING U3101/3 U4201		1
1	22	21338006	LOCK WASHER-U7069/71		1
1	23	37191090	MOTOR HOUSING-U7069/		1
1	24	21563061	SCREW-U7069/71		1
1	25	012503EF	RIVET-SEMI TUBULAR		1
1	26	166563--	WASHER		1
1	27	045517--	WIRE HOLDER		1