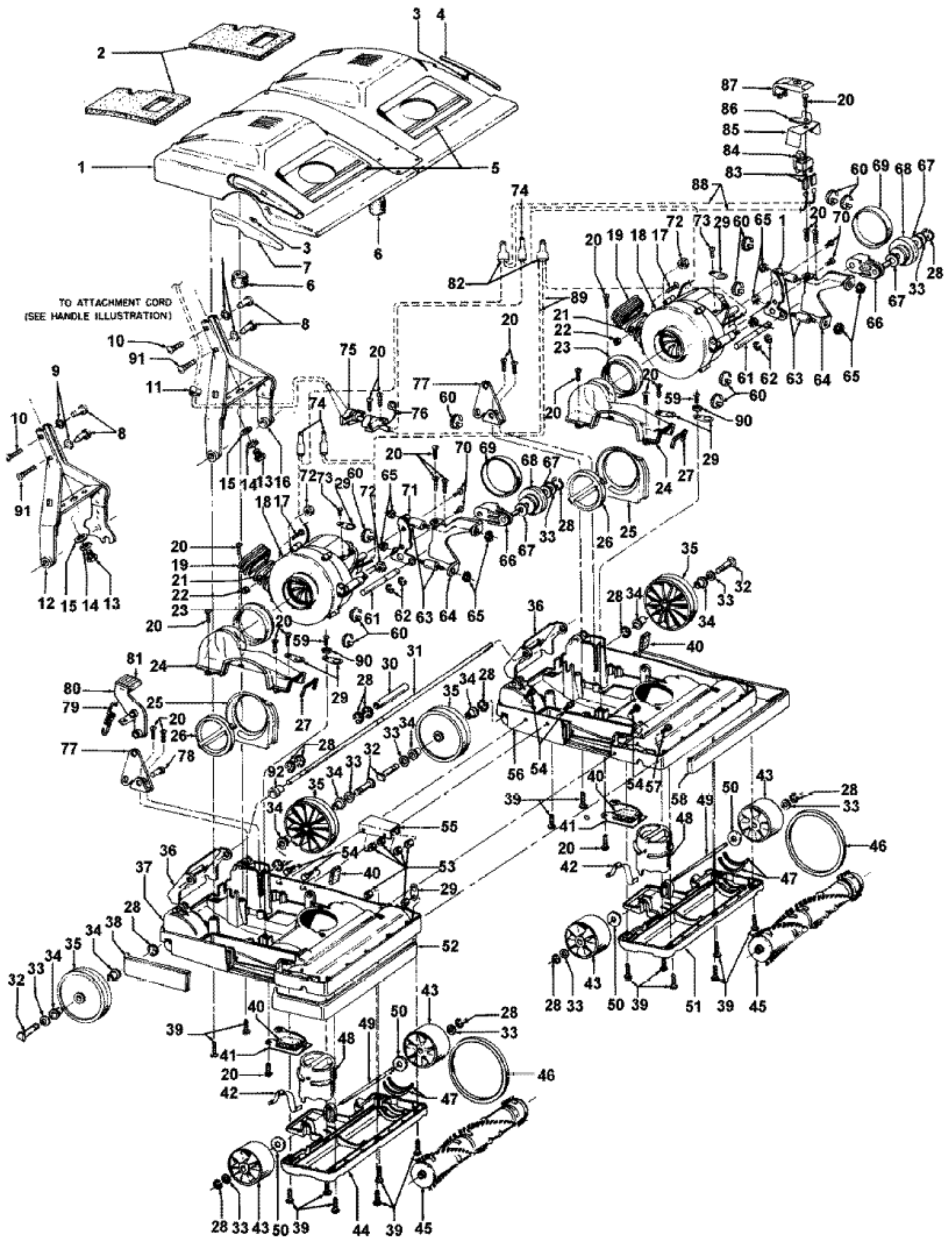


Model Number: C1820---

BOM/Serial #: C1820---

Graphic Title: HANDLE, DIRTCUP, OUTERBAG

Image	Key	Part Number	Description	Substitution	Qty.
1	1	38336019	JACKET SUPP SPRING-U		2
1	2	41128016	BAG SPING/CLIP ASSEM		1
1	3	43667040	CLOTH BAG-AAW/AG	43667056	1
1	3	013759--	LOCK RING		1
1	3	43667056	CLOTH BAG-AG		1
1	4	34112015	SEAL	34122009	1
1	5	35173001	BAG EXPANDER-U7063		2
1	6	41427012	CUP SUPPORT		1
1	7	36155011	LATCH - AG - U7063		4
1	8	34123020	GASKET		2
1	9	38775001	DIRT CUP-U7063		2
1	10	38673001	BELLOWS - AG		2
1	11	017206--	SCREW 64		1
1	11	049044--	CLAMP BAND		2
1	11	015854EF	NUT		1
1	12	36112002	SCREW-7069/71		4
1	13	41424018	BAG FLANGE		2
1	14	36215025	CORD PROTECTOR-HP-U7		1
1	15	32277008	HANDLE CLAMP NUT		1
1	16	013704--	LOCK WASHER		1
1	17	21631302	HANDLE BOLT-U7047/45		1
1	18	34785017	CORD RETAINER		1
1	19	21288010	POP RIVET		2
1	20	39441016	CORD CLIP-AG-C1K01		1
1	21	46562016	ATTACH CORD-AAW-C111	91001025	1
1	21	46383262	ATTACHMENT CORD - AA	46383193	1
1	22	161184--	BAG SUPPORT HOOK		2
1	23	21288401	BLIND RIVET S S		2
1	24	48646080	HANDLE COMPLETE - C1		1



Model Number: C1820---

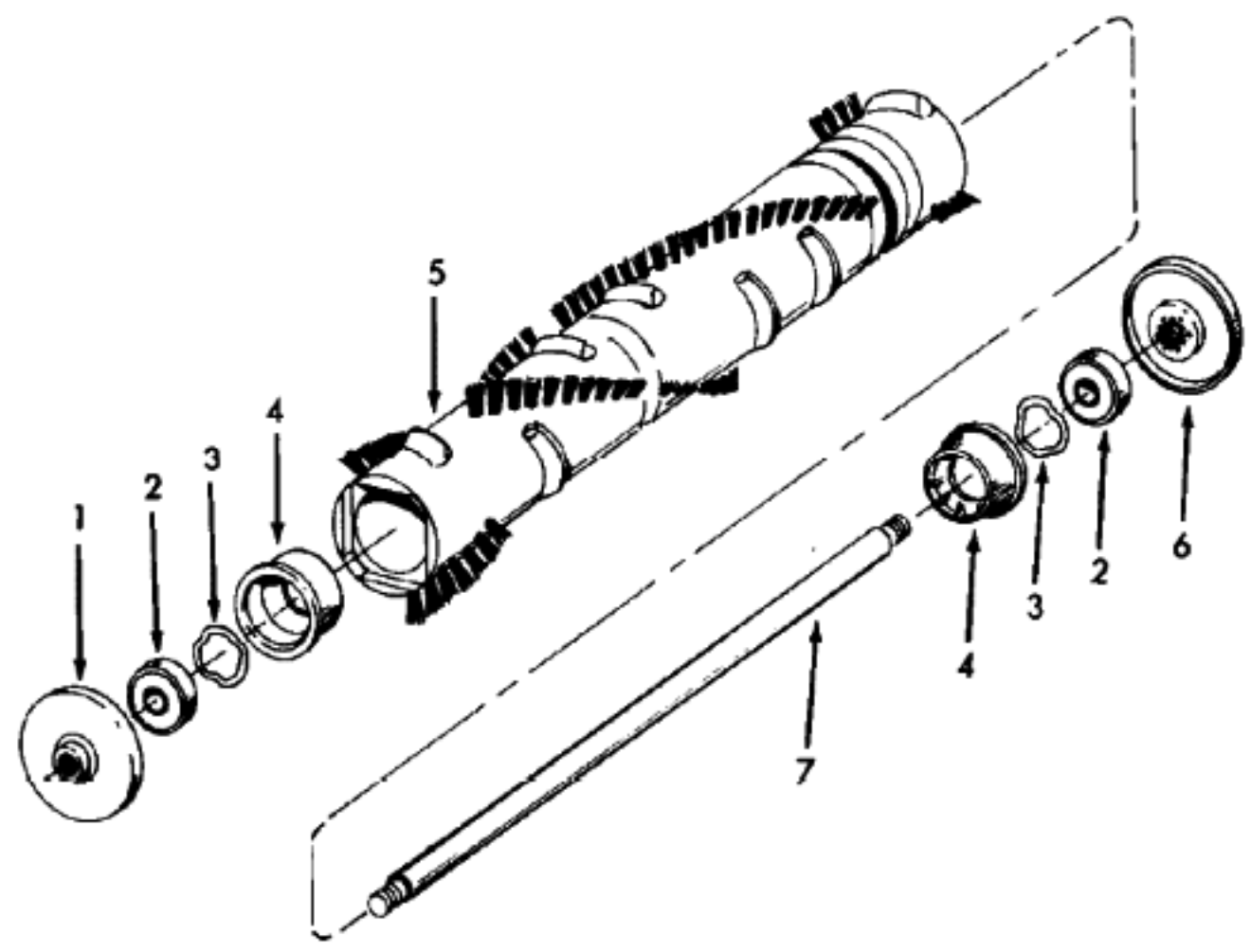
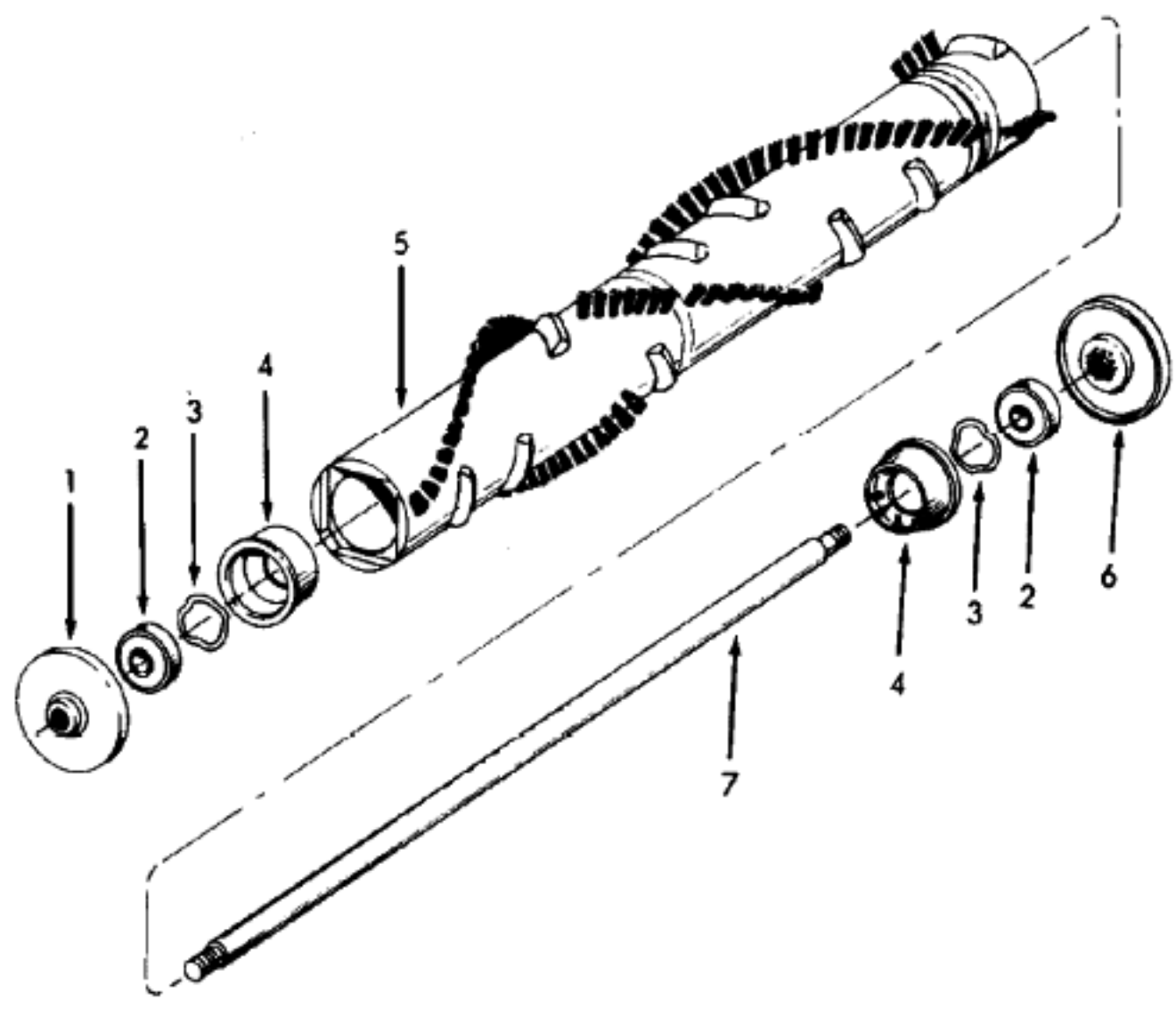
BOM/Serial #: C1820---

Graphic Title: MAINBODY, HOOD, SWITCH

Image	Key	Part Number	Description	Substitution	Qty.
1	1	42251337	Twin Hood-AG-C1820		1
1	2	38783005	INTAKE DUCT GASKET-U		2
1	3	21364102	SPEED NUT-U7069/71		2
1	4	36222012	WEAR STRIP - LH		1
1	4	36222014	Wear Strip-LH-C1800		1
1	5	51353002	Nameplate-Hood-C1820		2
1	6	31164004	MOTOR CUSHION-U4347		2
1	7	36222017	WEAR STRIP - RH		1
1	7	36222021	Wear Strip-RH-AG		1
1	8	32277021	HANDLE NUT		4
1	9	013704--	LOCK WASHER		4
1	10	21631302	HANDLE BOLT-U7047/45		2
1	11	36172015	CORD RETAINER-HP-U70		1
1	12	41416081	BAIL - AX - C1119		1
1	13	21811027	BOLT		2
1	14	21356014	LOCK WASHER - CCS		2
1	15	21312799	FLAT WASHER		2
1	16	41416082	BAIL - AX _ C1119		1
1	17	21765140	SCREW-U7069-71		2
1	18	42251337	Twin Hood-AG-C1820		1
1	18	43574116	MOTOR ASSEMBLY - C11		2
1	19	38671008	EXHAUST FLANGE BELLO		2
1	20	21447003	SCREW		1
1	21	34797008	CLAMP BAND-U7069-71		2
1	22	015854EF	NUT		2
1	23	38671005	DUCT BOOT-JM-U7069/7		2
1	24	38657020	AIR DUCT-BZ-U7069/71		2
1	25	41119008	CAP-LOCK ASSEM.		2
1	26	37257074	CAP	37257282	2
1	26	37257282	CAP-AFA		2
1	27	34253013	AIR DUCT GASKET-U706		2
1	28	160017--	LOCK RING		1
1	29	045517--	WIRE HOLDER		7
1	30	31744025	SPACER		1
1	31	32543014	BAIL SHAFT - C1119		1

Image	Key	Part Number	Description	Substitution	Qty.
1	32	32512001	REAR WHEEL AXLE-U706		4
1	33	163110--	WASHER		1
1	34	162143--	REAR WHEEL BEARING-U		8
1	35	38522036	REAR WHEEL - AG - U7		4
1	36	42256106	EXHAUST FLANGE ASSM-		2
1	37	37241120	MAIN BODY - RH - C11		1
1	38	36231084	FURNITURE GUARD		1
1	38	36231154	Furn Guard-BU-Short		1
1	39	21447012	SCREW	21447215	16
1	39	51638061	Object Cleaout Label		1
1	40	34141005	MOTOR CUSHION-U7069/		4
1	41	35121001	ACCESS DOOR-U7069/71		2
1	42	38381005	SPRING-U7069/71		2
1	43	38522034	WHEEL - FRONT - U706		4
1	44	37245096	BOTTOM PLATE - RH -		1
1	45	48416035	AGITATOR COMPLETE-U7		2
1	46	38528013	V-BELT-U7069/71		2
1	47	38781008	GASKET-AGIT PULLEY-U		2
1	48	36436005	HEIGHT ADJ CAP-AG-C1		2
1	49	32543005	FRONT AXLE-U7069/71		2
1	50	21312754	WASHER-U7069/71		4
1	51	37245095	BOTTOM PLATE - LH -	37245066	1
1	52	36231008	Furniture Guard-BU		1
1	52	41211030	FURNITURE GUARD		1
1	53	1107602-	LOCK NUT-C3003		6
1	54	21781154	SCREW-C9013		5
1	55	34612002	BRACKET - AY - C1119		1
1	56	37241119	MAIN BODY - LH - C11		1
1	57	049417AZ	SCREW		1
1	58	51664023	Lens Label		1
1	58	36231007	Furniture Guard-BU		1
1	58	37257086	AIR INTAKE DUCT - U7		1
1	58	41211029	FURNITURE GUARD		1
1	59	166648AW	SCREW		2
1	60	27479307	CABLE TIE		1
1	61	31534001	SHAFT PULLEY ARM SUP		2
1	62	013730--	LOCK RING		4
1	63	32724010	SANDWICH MOUNT-U7069		4

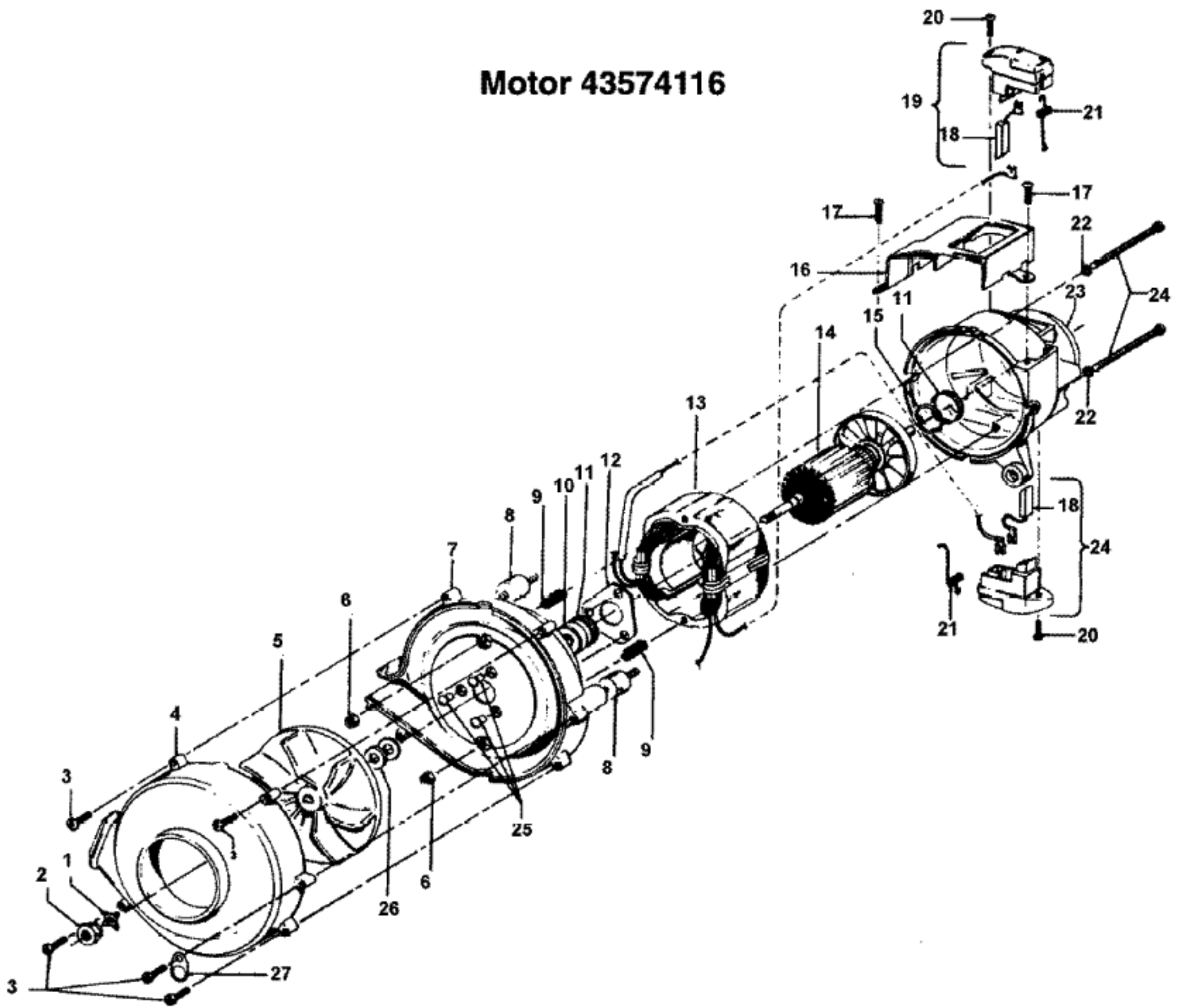
Image	Key	Part Number	Description	Substitution	Qty.
1	64	36321006	MOTOR SUPP BRACKET-U		1
1	65	21852158	NUT		8
1	66	43256007	PULLEY ARM & SHAFT-U		1
1	67	31158008	BEARING-U7069/71		4
1	68	43256002	PULLEY ASSEMBLY-U706		2
1	69	38528036	BELT-CONQUEST/PN-WT		2
1	70	017001FW	SCREW		4
1	71	36321002	MOUNTING BRACKET-U70		1
1	72	21652005	HEX NUT-U7069/71		4
1	73	017001FW	SCREW		2
1	74	012227--	TERMINALS-0513		3
1	75	36216008	CORD PROTECTOR-AG-U7		1
1	76	27478611	STRAIN RELIEF - C207		1
1	77	35214009	FOOT LEVER SUPPORT-U		1
1	78	32215002	SHAFT-U7069/71		1
1	79	38335008	SPRING-U7069/71		1
1	80	43151006	HDL CONT LEVER-AG-C1		1
1	81	38426030	FOOT PAD-AG-U3301		1
1	82	018972--	TERMINAL-INSULATED-U		2
1	83	162961--	INSULATING POD-0517		2
1	84	28212009	SWITCH-U7069		1
1	85	68182547	SWITCH PROTECTOR - C		1
1	86	36171030	SWITCH CLAMP-U7069/7		1
1	87	38426047	SWITCH PEDAL-AG-C1E0		1
1	88	46173041	LEAD WIRE - BLACK -		1
1	89	46314021	CORD ASSEMBLY-AAW-C1		1
1	90	015854EF	NUT		1
1	91	21831024	HANDLE BOLT-U7069/71		2
1	92	32172010	BUSHING - C1119		1
1	93	58433005	TUBE - C1119		1
1	93	58353010	DUST CUP SUPPORT - C		1
1	93	56711073	OWNER MANUAL-C1119R3		1



Model Number: C1820---
BOM/Serial #: C1820---
Graphic Title: AGITATOR

Image	Key	Part Number	Description	Substitution	Qty.
1	1	41435066	THREAD GUARD ASSM-U7		1
1	2	24152807	MOTOR BEARING - 8MM		1
1	3	21345113	WAVE SPRING WASHER-U		1
1	4	36422004	AGITATOR END-U7069/7		1
1	5	48416017	AGITATOR BODY & ENDS		1
1	5	48416013	AGITATOR BODY & ENDS		1
1	6	41435061	THREAD GUARD ASSM-U7		1
1	7	32873007	AGITATOR SHAFT-U7069		1
1	7	32873004	AGITATOR SHAFT-U7071		1
1	8	48416036	AGITATOR COMPLETE-U7		1
1	8	48416035	AGITATOR COMPLETE-U7		1

Motor 43574116



Model Number: C1820---

BOM/Serial #: C1820---

Graphic Title: MOTOR ASSEMBLY

Image	Key	Part Number	Description	Substitution	Qty.
1	1	36128003	LOCK WASHER		1
1	2	33426001	NUT-S3005		1
1	3	21447072	SCREW		1
1	4	38736025	FAN CHAMBER COVER-U7		1
1	5	38755012	FAN -U7069		1
1	6	21641557	NUT-U7069/71		1
1	7	43588018	FAN CHAMBER ASSM-U70		1
1	8	32724015	SANDWICH MOUNT-U7069		1
1	9	012854--	SPRING		1
1	10	24152807	MOTOR BEARING - 8MM		1
1	11	24198001	STAR RING-U7069/71		1
1	12	012025--	MTR BRG RETAINER-U70		1
1	13	45311056	FIELD COIL - 6.5 - U	90001007	1
1	14	44765184	ARMATURE - C1119		1
1	15	21345115	WAVE SPRING WASHER		1
1	16	37257086	AIR INTAKE DUCT - U7		1
1	17	21447041	SCREW		1
1	18	47315010	BRUSH & TERM ASSM-U7		1
1	19	47318008	BRUSH CARRIER ASSM-U		1
1	20	21479302	SCREW-U7069/71		1
1	21	38353004	SPRING U3101/3 U4201		1
1	22	21338006	LOCK WASHER-U7069/71		1
1	23	37191090	MOTOR HOUSING-U7069/		1
1	24	21563061	SCREW-U7069/71		1
1	25	012503EF	RIVET-SEMI TUBULAR		1
1	26	166563--	WASHER		1
1	27	045517--	WIRE HOLDER		1