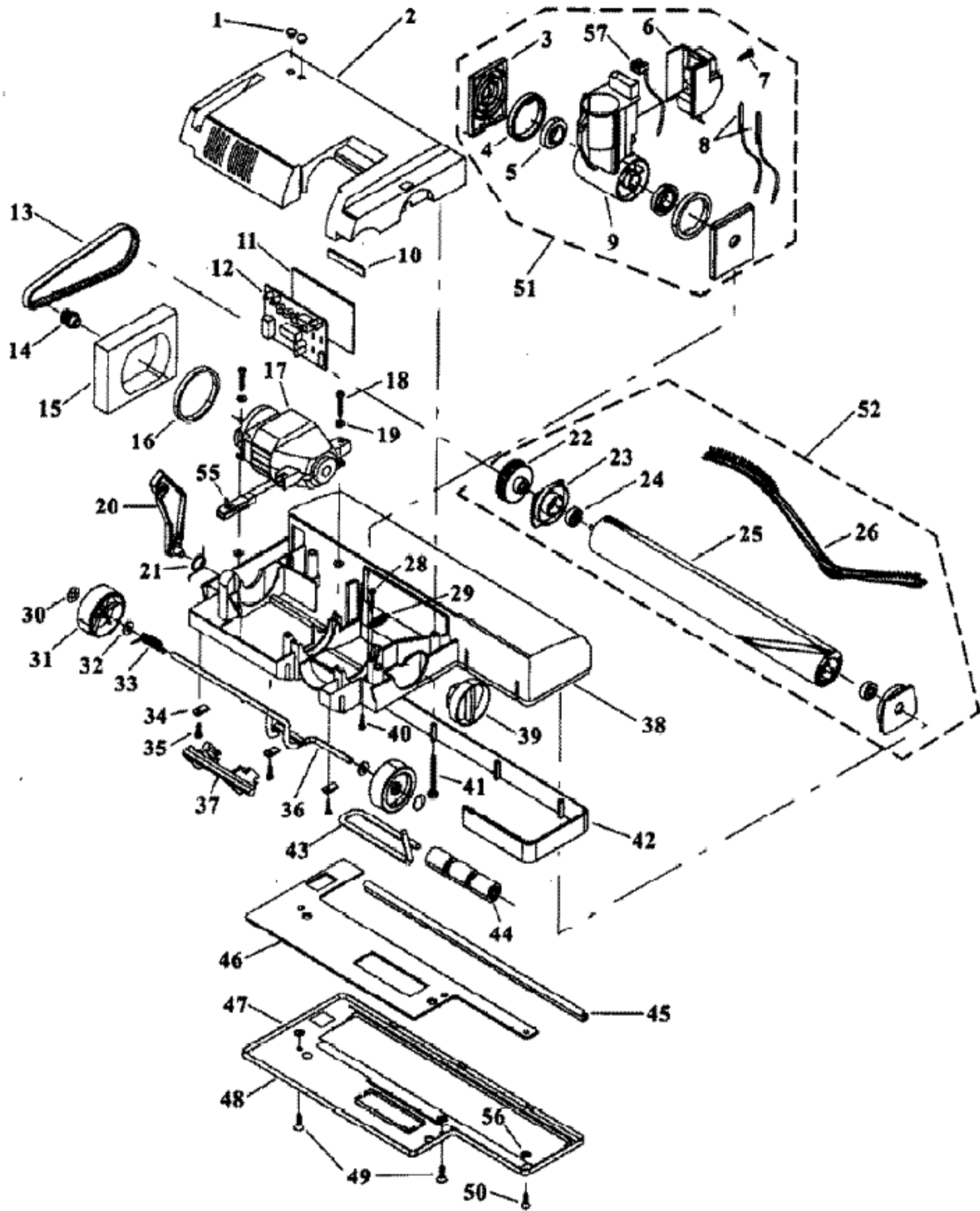


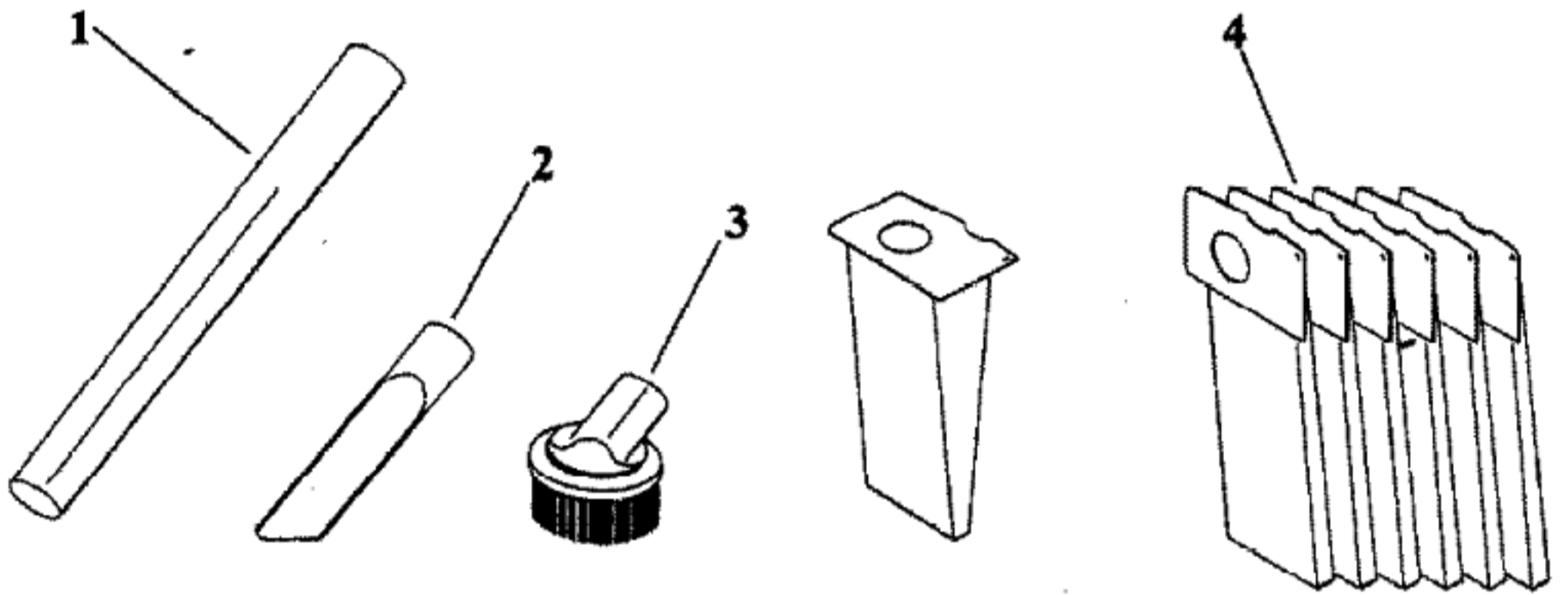
Item	Part Number	Part Description	Alt Part	Series	Qty
1	59151061	HOSE ASSEMBLY		10	1
2	59151062	Electric Cable-Pac.		10	1
3	59151063	HANDLE GRIP		10	1
4	59151064	SCREW M3x20		10	1
5	59151065	CABLE CLAMP		10	1
6	59151066	SCREW M4x12		10	1
7	59151067	SUCTION HOSE SUPPORT		10	1
8	59151068	TOP COVER		10	1
9	59151069	CLOSING COVER SPRING		10	1
10	59151070	CLOSING COVER PLATE		10	1
11	59151071	SELF-THRD SCREW 3, 5x16		10	1
12	59151072	SELF-THRD SCREW 2, 9x13		10	1
13	59151073	Bag-10 pk-Pacific		10	1
14	59151074	Paper Bag Cage-Pac		10	1
15	59151076	Tube,Rigid Wand Inne		10	1
	59151075	Wand-Rigid-Pacific		10	1
16	59151077	CABLE RETAINER		10	1
17	59151078	SELF-THRDG SCREW 3, 5x13		10	2
18	59151079	SUPPORT PLATE		10	1
19	59151080	CABLE HOLDER		10	1
20	59151072	SELF-THRD SCREW 2, 9x13		10	1
21	59151082	Microswitch-Pacific		10	1
22	59151083	SELF-THRDG SCREW 2, 9x16		10	1
23	59151084	SELF-THRDG SCREW 2, 9x9, 5		10	1
24	59151085	Bag Control Card-Pac		10	1
25	59151072	SELF-THRD SCREW 2, 9x13		10	1
26	59151087	COVER HINGE		10	1
27	59151088	COVER		10	1
28	59151089	HANDLE TUBE		10	1
29	59151090	SCREW M4x10		10	1
30	59151091	Switch-Pacific		10	1
31	59151092	LENS		10	1
32	59151093	UPRT CENT BODY/HSNG		10	1
33	59151094	LIFTING HANDLE		10	1
34	59151072	SELF-THRD SCREW 2, 9x13		10	1
35	59151082	Microswitch-Pacific		10	1
36	59151097	CABLE RETAINER		10	1
37	59151098	VACUUM MOTOR HOLDER		10	1
38	59151099	MICROSWITCH		10	1
39	59151100	SELF-THREADING SCREW 3, 5x16		10	1
40	59151072	SELF-THRD SCREW 2, 9x13		10	1
41	59151102	SAFETY VALVE COVER		10	1
42	59151103	SAFETY VALVE COV SPRING		10	1
43	59151104	SAFETY VALVE		10	1
44	59151105	Vac Mtr Gasket-Pac		10	1
45	59151107	Vac Mtr-115V-Pacific		10	1
46	59151109	Carbon Brush-Pacific		10	1

Item	Part Number	Part Description	Alt Part	Series	Qty
47	59151110	Rubber Gasket-Pac		10	1
48	59151111	SOUND INSULATION		10	1
49	59151113	Foam Filter-Pacific		10	1
	59151112	HEPA Filter-Pacific		10	1
50	59151114	FILTER COVER		10	1
51	59151115	FILTER RETAINING CLAMP		10	1
52	59151116	SCREW M3x10		10	1
53	59151117	NUT M3		10	1
54	59151118	SCREW M5x30		10	1
55	59151119	MOTOR HOUSING		10	1
56	59151118	SCREW M5x30		10	1
57	59151121	LOCKING CATCH/KNOB		10	1
58	59151122	LOCKING CATCH		10	1
59	59151123	NUT M4		10	1
60	59151124	STATIC GROUND PIN		10	1
61	59151125	SELF-LOCKING NUT M5		10	1
62	59151126	LOCKING - ROD		10	1
63	59151036	LATCH		10	1
64	59151128	SELF-THRD SCREW 3, 5x13		10	1
65	59151129	CONNECTION PROTECTION		10	1
66	59151130	VACUUM MOTOR COVER		10	1
67	59151071	SELF-THRD SCREW 3, 5x16		10	1
68	59151132	Gasket-Pacific		10	1
69	59151133	Vac Inlet Filter-Pac		10	1
70	93002128	SCREW, TAPPING		10	1
71	59151135	BLACK ROTATING SLEEVE		10	1
72	59151136	FLEXIBLE HOSE UNION		10	1
73	59151137	Flexible Hose-Pacific		10	1
74	59151138	WASHER		10	1
75	59151139	CONNECT HOSE PRES REG.		10	1
76	59151140	POST, RUBBER		10	1



Item	Part Number	Part Description	Alt Part	Series	Qty
1	59151001	LENS		10	2
2	59151002	BASE COVER		10	1
3	-----	NOT REQUIRED PART OR SEE NOTE No.51, NOT		10	1
4	-----	NOT REQUIRED PART OR SEE NOTE No.51, NOT		10	1
5	-----	NOT REQUIRED PART OR SEE NOTE No.51, NOT		10	1
6	-----	NOT REQUIRED PART OR SEE NOTE No.51, NOT		10	1
7	-----	NOT REQUIRED PART OR SEE NOTE		10	1
8	-----	NOT REQUIRED PART OR SEE NOTE No.51, NOT		10	1
9	-----	NOT REQUIRED PART OR SEE NOTE No.51, NOT		10	1
10	59151010	FELT SEAL		10	1
11	59151011	ELECTRONIC CARD PROTECTION		10	1
12	59151012	Electronic Card-Pac.		10	1
13	59151013	Belt-Pacific		10	1
14	59151014	Pulley-Pacific		10	1
15	59151015	Filter - Pacific		10	1
16	59151016	Gasket-Pacific		10	1
17	59151017	Brush Mtr C1830		10	1
18	59151019	SELF-THREADING SCREW 3, 9x19		10	2
19	59151020	WASHER D4		10	2
20	59151021	SUPPORT LEVER		10	1
21	59151022	SPRING		10	1
22	59151023	BRUSH PULLEY		10	1
23	59151024	BRUSH SUPPORT		10	1
24	59151025	BEARING		10	1
25	-----	NOT REQUIRED PART OR SEE NOTE No.52 NOT		10	1
26	59151028	Brush Strip-C1830		10	1
28	59151030	SELF-THREADING SCREW 3, 5x25		10	1
29	59151031	SPRING		10	1
30	59151032	RETAINER		10	1
31	59151033	WHEEL		10	2
32	59151034	WASHER D6		10	1
33	59151035	WHEELS AXLE SPRING		10	1
34	59151036	LATCH		10	1
35	59151037	SELF-THREADING SCREW 3, 9x13		10	1
36	59151038	WHEELS AXLE		10	2
37	59151039	FOOT PEDAL		10	1
38	59151040	CHASSIS/HSG,BRUSH-14"		10	1
39	59151042	BRUSH HGHT ADJ KNOB		10	1
40	59151037	SELF-THREADING SCREW 3, 9x13		10	1
41	59151044	SCREW M5x45		10	1
42	59151045	Bumper-S1830		10	1
43	59151047	WHEELS AXLE		10	1
44	59151048	BRUSH ADJ WHEELS		10	1
45	59151049	Gasket-Pacific		10	1
46	59151050	Gasket-Pacific		10	1
47	59151051	WASHER		10	1
48	59151052	Shoe-Pick-up -C1830		10	1

<b>Item</b>	<b>Part Number</b>	<b>Part Description</b>	<b>Alt Part</b>	<b>Series</b>	<b>Qty</b>
49	59151054	SCREW M5x12		10	1
50	59151055	SCREW M4x10		10	1
51	59151056	Joint w/Support-Pac		10	1
52	59151057	Brush Comp-C1830		10	1
55	59151058	CARBON BRUSH		10	1
56	59151059	WASHER		10	1
57	59151060	ENCL COVER SPRING		10	1



<b>Item</b>	<b>Part Number</b>	<b>Part Description</b>	<b>Alt Part</b>	<b>Series</b>	<b>Qty</b>
1	59151141	Tube-Ext-Pacific		10	1
2	59151142	Crevice Tool-Pacific		10	1
3	59151143	Dusting Brush-Pacifi		10	1
4	59151073	Bag-10 pk-Pacific		10	1