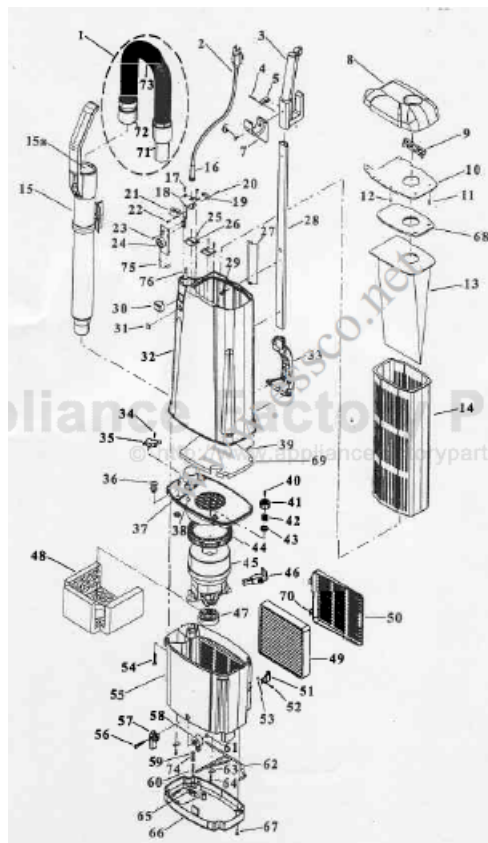


This Owner's Manual is provided and hosted by [Appliance Factory Parts](#).



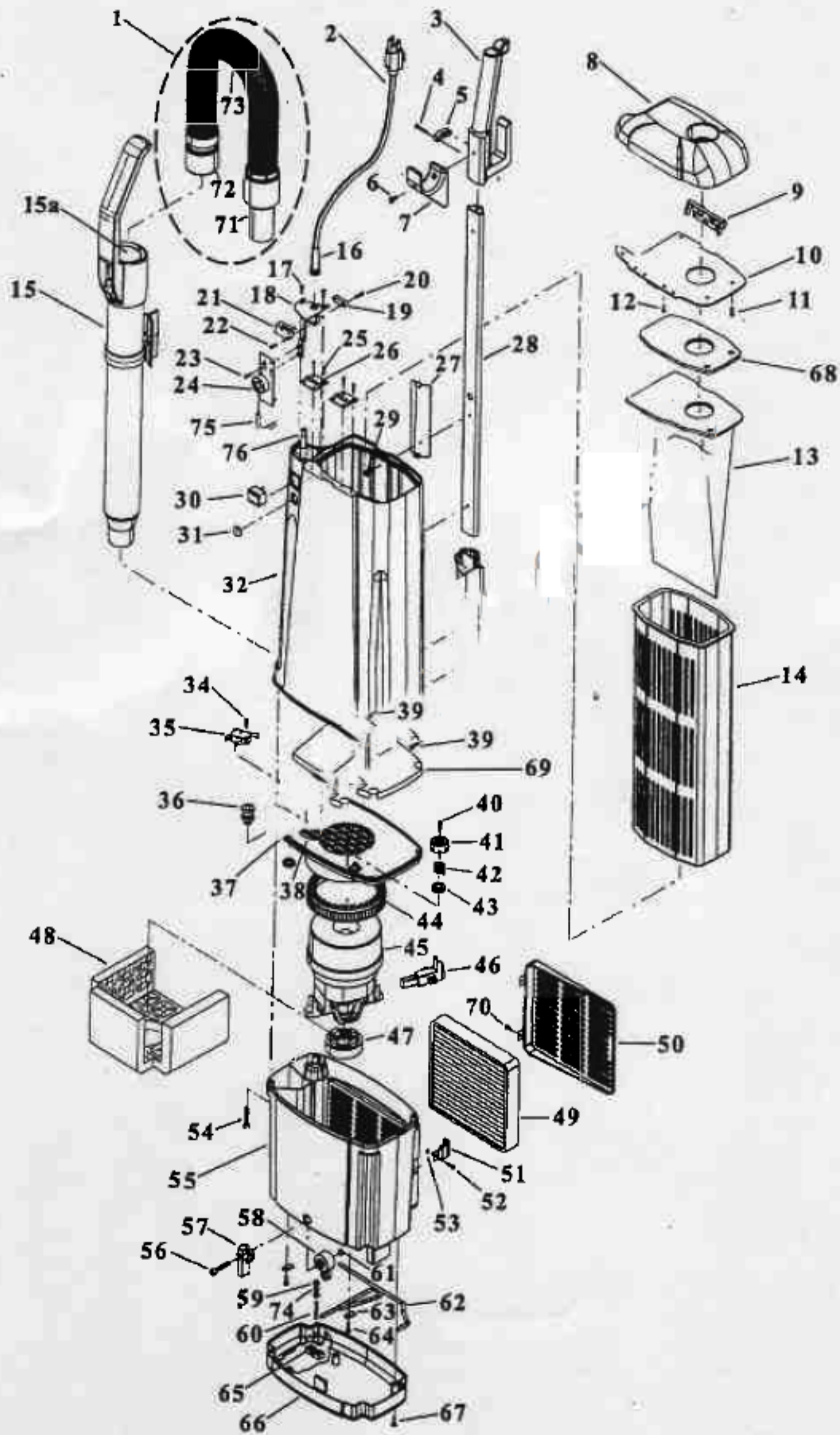
HOOVER C1834 Owner's Manual

[Shop genuine replacement parts for HOOVER C1834](#)

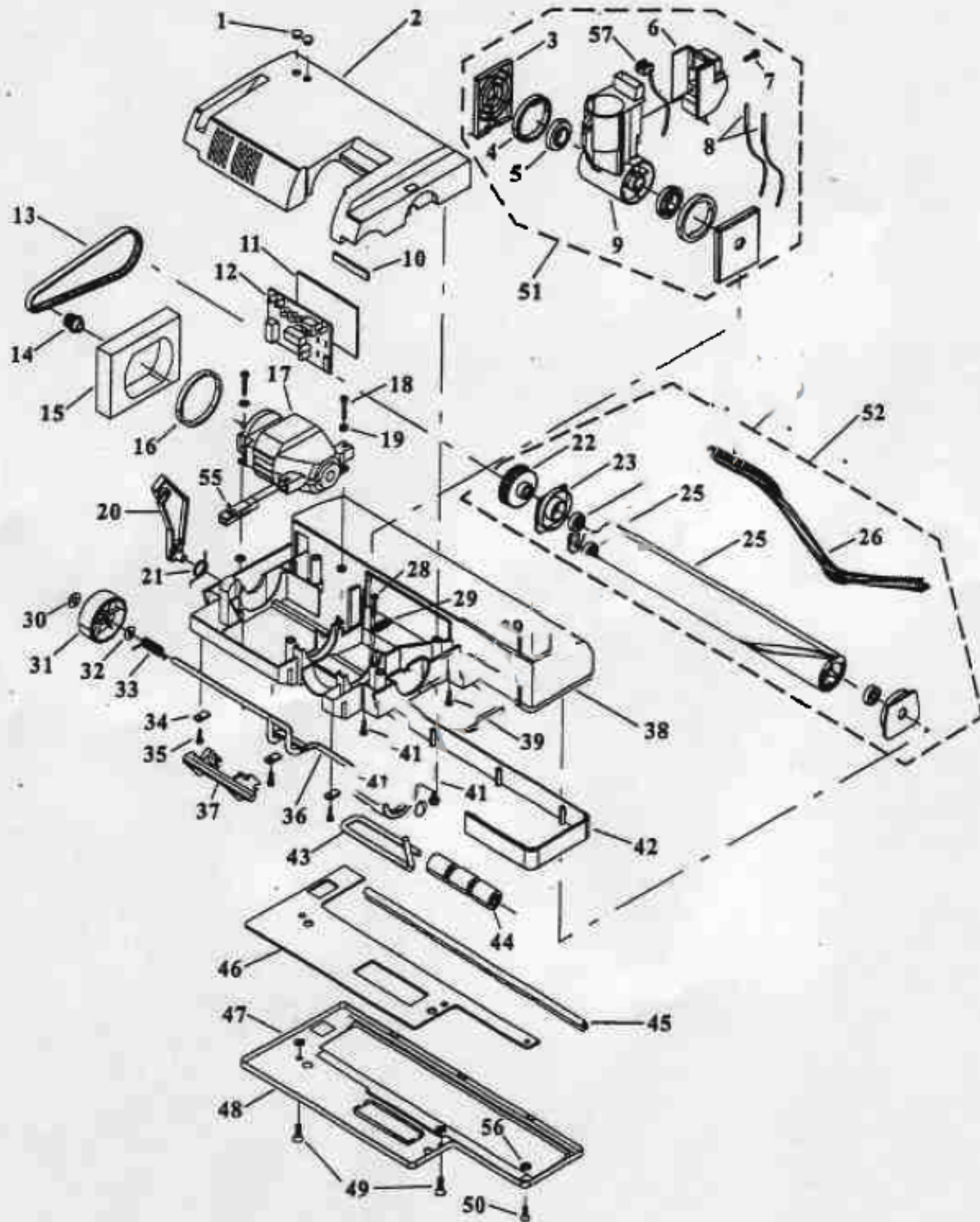


[Find Your HOOVER Vacuum Cleaner Parts - Select From 1456 Models](#)

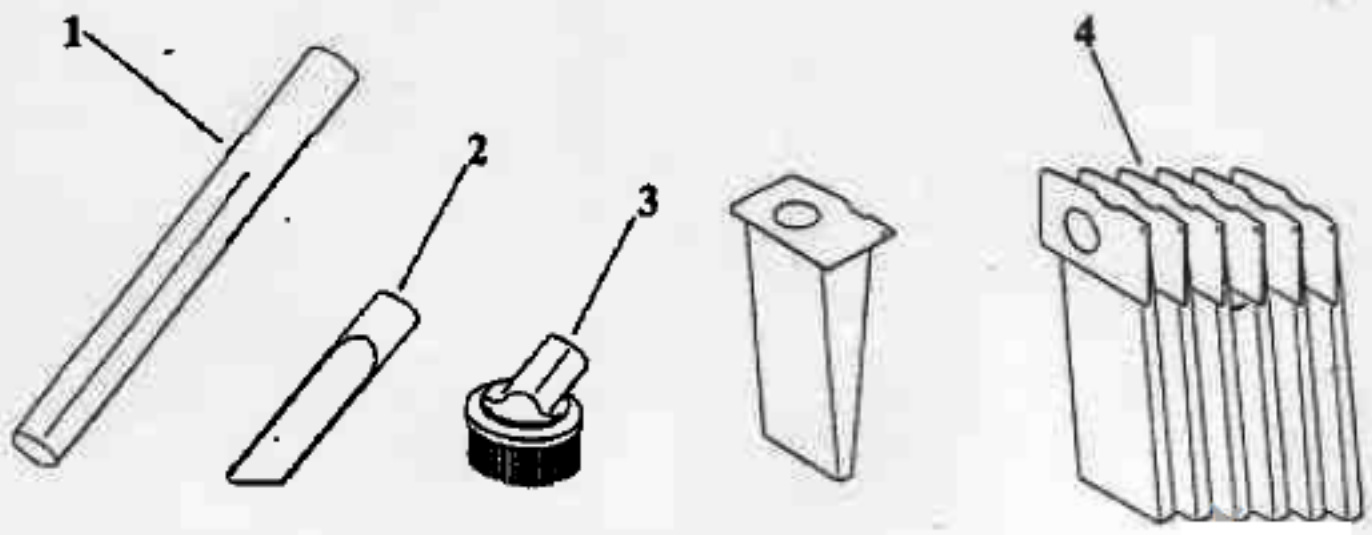
----- Manual continues below -----



Ref. No.	Part No.	Description	Ref. No.	Part No.	Description
1		Hose Assembly	48		Sound Insulation
2	59151062	Electric Cable	49	59151112	HEPA Filter
3		Handle Grip		59151113	Foam Filter
4		Screw M3x20	50		Filter Cover
5		Cable Clamp	51		Filter Retaining Clamp
6		Screw M4x12	52		Screw M3x10
7		Suction Hose Support	53		Nut M3
8		Top Cover	54		Screw M5x30
9		Closing Cover Spring	55		Motor Housing
10		Closing Cover Plate	56		Screw M5x30
11		Self Threading Screw 3, 5x16	57		Locking Catch/Knob
12		Self Threading Screw 2, 9x13	58		Locking Catch
13	59151073	Paper Bag, 10 Pack	59		Nut M4
14	59151074	Paper Bag Cage	60		Static Ground Pin
15	59151075	Right Wand (no inner tube)	61		Self Locking Nut M5
15a	59151076	Tube, Rigid Wand Inner	62		Locking-Rod
16		Cable Retainer	63		Latch
17		Self Threading Screw 3, 5x13	64		Self Threading Screw 3, 5x13
18		Support Plate	65		Connection Protection
19		Cable Holder	66		Vacuum Motor Cover
20		Self Threading Screw 2, 9x13	67		Self Threading Screw 3, 5x16
21	59151082	Microswitch	68	59151132	Gasket
22		Self Threading Screw 2, 9x16	69	59151133	Vacuum Inlet Filter
23		Self Threading Screw :	70		Screw M3x8
24	59151085	Paper Bag Control Caew	71		Black Rotating Sleeve
25		Self Threading Screw Ca	72		Flexible Hose Union
26		Cover Hinge	73	59151137	Flexible Hose
27		Cover	74		Washer
28		Handle Tube	75		Connection Hose Pressure
29		Screw M4x10			Reg.
30	59151091	Switch	76		Post, Rubber
31		Lens			
32		Upright Central Body/Housing			
33		Lifting Handle			
34		Self Threading Screw 2, 9x16			
35	59151082	Microswitch			
36		Cable Retainer			
37		Vacuum Motor Holder			
38		Micro Switch			
39		Self Threading Screw 3, 5x16			
40		Self Threading Screw 3, 9x13			
41		Safety Valve Cover			
42		Safety Valve Cover Spring			
43		Safety Valve			
44	59151105	Vacuum Motor Gasket			
45	59151107	Vacuum Motor 115V			
46	59151109	Carbon Brush for 59151107			
47	59151110	Rubber Gasket			



Ref. No	Part No.	Description	Ref. No	Part No.	Description
1		Lens	39		Brush Height Adjustment Knob
2		Base Cover	40		Self Threading Screw 3, 9x13
3		Swivel Neck Support Wiring	41		Screw M5x45
4		Bushing	42	59151045	Bumper – 14In.
5		Bushing		59151046	Bumper – 18In.
6		Joint Cover	43		Wheel Axle
7		Self Threading Screw 3, 9x16	44		Brush Adjustment Wheel
8		Wire on Swivel Neck	45	59151049	Gasket
9		Swivel Neck	46	59151050	Gasket
10		Felt Seal	47		Washer
11		Electronic Card Protection	48	59151052	Shoe Pick-Up – 14In.
12	59151012	Electronic Card 115V F350E		59151053	Shoe Pick-Up – 18In.
13	59151013	Belt	49		Screw M5x12
14	59151014	Pulley	50		Screw M4x10
15	59151015	Filter	51	59151056	Complete Joint w/Support
16	59151016	Gasket	52	59151057	Complete Brush – 14In.
17	59151017	Brush Motor, 115V – 14 In.		59151144	Complete Brush – 18In.
	59151018	Brush Motor, 115V – 18 In.			Carbon Brush
18		Self Threading Screw 3, 9x19			Washer
19		Washer D4			Enclosing Cover Spring
20		Support Lever			
21		Spring			
22		Brush Pulley			
23		Brush Support			
24		Bearing			
25		Brush Core w/Shaft – 14In.			
		Brush Core w/Shaft – 18In.			
26	59151028	Brush Strip – 14In.			
	59151029	Brush Strip – 18In.			
28		Self Threading Screw 3, 5x25			
29		Spring			
30		Retainer			
31		Wheel			
32		Washer D6			
33		Wheel Axle Spring			
34		Latch			
35		Self Threading Screw 3, 9x13			
36		Wheel Axle			
37		Foot Pedal			
38		Chassis/Housing, Brush 14In.			
		Chassis/Housing, Brush 18In.			



Ref. No.	Part No.	Description
1	59151141	Tube-Extension
2	59151142	Crevice Tool
3	59151143	Dusting Brush
4	59151073	10 Pack Paper Bags