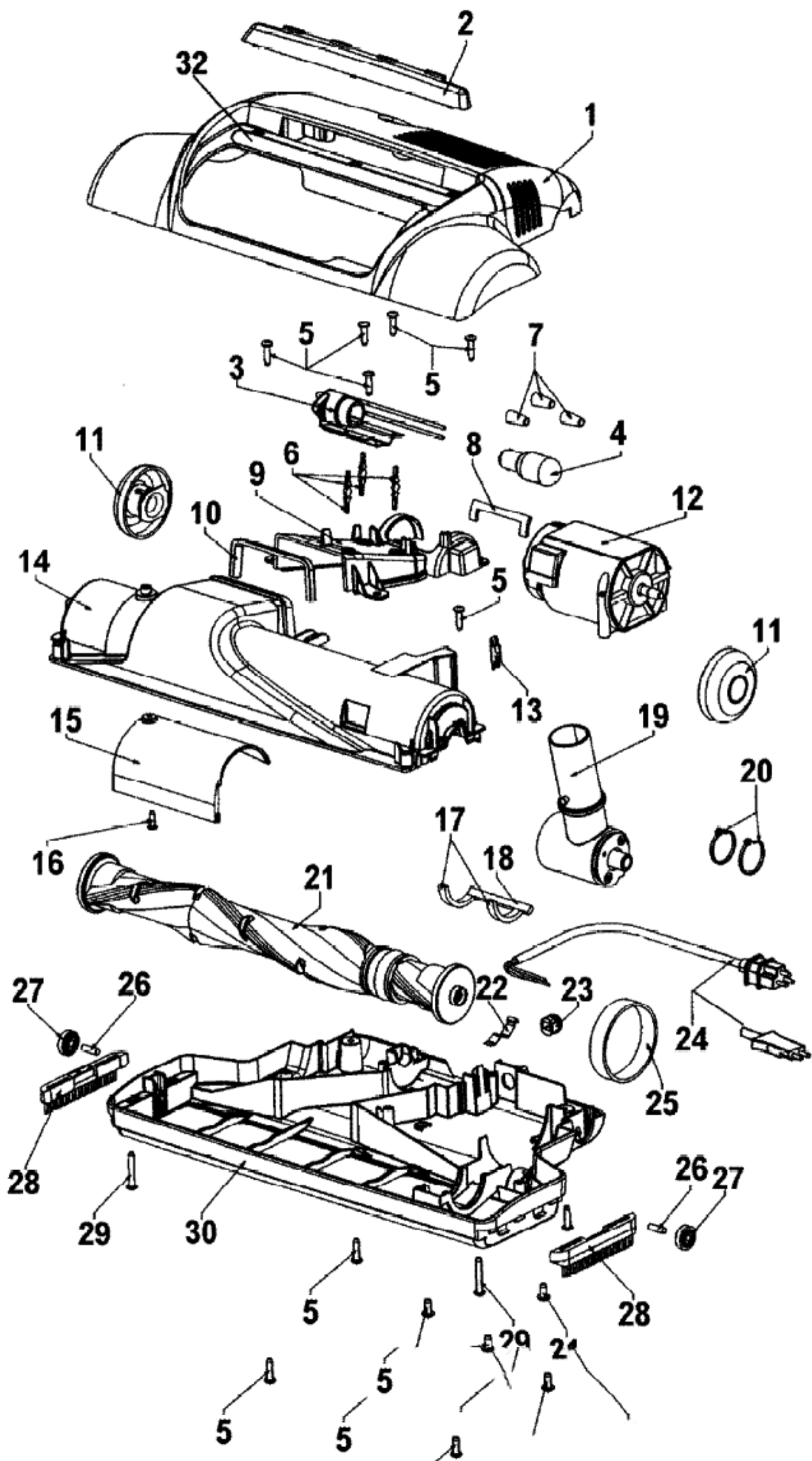
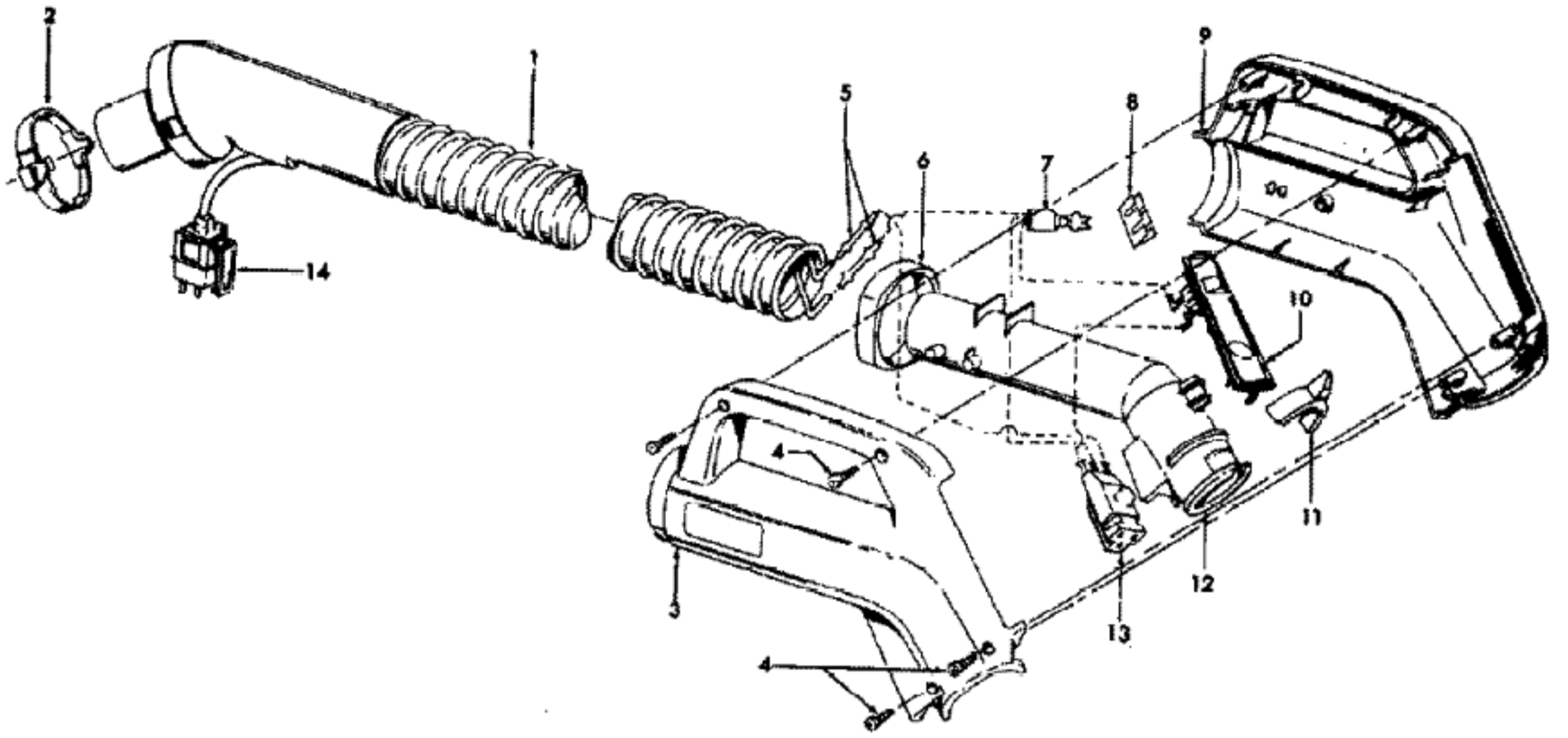


Item	Part Number	Part Description	Alt Part	Series	Qty
1	37911100	SNAP PLUG - C2090			1
2	21447217	SCREW-SELF TAPPING			1
3	41426160	MOTOR COVER-C2090			1
4	012227--	TERMINALS-0513			1
5	41312042	MTR RETAINER-AG C208			1
6	W10124350	NOT REQUIRED PART OR SEE NOTE RETAINER :			1
7	36322031	MOTOR MOUNT			1
8	36235069	FURNITURE GUARD-AG-S			1
9	43576222	MTR ASSM COMP C-2089			1
10	43563020	ATTACHMENT CORD			1
11	36215034	STRAIN RELIEF-AG-S35			1
12	42215096	MAIN BODY ASSEMBLY (INCLUDES I			1
13	40201256	HARNESS ATTACH PACK			1
14	28382085	THERMAL PROTECTOR-S3			1
15	21378159	SPEED CLIP-S3603,09,			1
16	36424010	BAG COLLAR SUPPORT			1
17	43662035	CLOTH BG ASSM-C2089			1
18	37911099	SNAP COVER-C2090			1
19	36424012	BAG COLLAR SEAL-AG			1
20	36151027	BAG LID HINGE			2
21	37944005	FILTER RETAINER			1
22	38765009	SECONDARY FILTER			1
23	42217197	BAG LID ASSM-C2090			1
24	38351009	TORSION SPRING			1
25	36153040	BAG LID LATCH-AG-S35			1
26	34633002	RETAINER SEAL-LH			1
27	34123040	RETAINER SEAL-CENTER			1
28	28161071	SWITCH W/LEADS-C2090			1
29	36218020	CORD CHANNEL COVER-A			1
30	43414073	FLOOR BRUSH-AG-S3273			1
31	4341401P	RUG & FLOOR NOZZLE			1
32	38617017	CREVICE TOOL-AG -S32			1
33	43414057	FURNITURE NOZZLE-AG-			1
34	43414064	DUSTING BRUSH-AG			1
35	43453027	EXTENSION TUBE ASSEM			1
36	48615023	HARNESS ASSM-C2089			1
37	21447223	SCREW-SELF TAPPING			1
38	46326082	RECEPTACLE ASSEM-AG-			1
996	40201257	SHDLR HARNESS HRDWR			1
	43433120	HOSE ASSM - C2090			1
	48438278	POWER NOZZLE-C2090			1
	56711158	OWNER MANUAL-C2090			1



Item	Part Number	Part Description	Alt Part	Series	Qty
1	37253427	HOOD-C2090			1
2	39383105	DIRT FINDER LENS			1
3	47171020	DIRT FINDER SOCKET			1
4	27317307	DIRT FINDER LAMP			1
5	21447003	SCREW			8
6	36218016	GROMMET			1
7	27618508	WIRE CONNECTOR			1
8	W10124350	NOT REQUIRED PART OR SEE NOTE			1
9	37243031	DUCT COVER	90001362		1
10	34113008	SEAL			1
11	43244043	WHEEL/AXLE ASSEMBLY	90001395		2
12	43177062	MOTOR ASSEMBLY COMPL	90001369		1
13	013261AY	RIB SHOES			1
14	37243029	AGITATOR COVER			1
15	37243030	DUCT COVER			1
16	21479449	SCREW			1
17	34122014	SEAL			1
18	34112007	SEAL			1
19	43482106	ASSY., NOZZLE CONNECTOR	90001397		1
20	27479307	CABLE TIE			1
21	48414084	AGITATOR-SERVICE	90001371		1
22	35276008	DETENT SPRING			1
23	163768--	STRAIN RELIEF - 6460			1
24	46521021	POWER NOZZLE CORD-AG			1
25	38528036	BELT-CONQUEST/PN-WT			1
26	31522004	WHEEL SHAFT			1
27	32761001	WHEEL			1
28	39511004	LITTER PICKER			1
29	21447236	SCREW			1
30	37245053	BASE PLATE			1
31	21479801	SCREW-SELF TAPPING			1
32	51669097	NAMEPLATE-C2090			1



Item	Part Number	Part Description	Alt Part	Series	Qty
1	43433120	HOSE ASSM - C2090			1
2	36153038	HOSE RELEASE LATCH-A			1
3	39461018	HOSE GRIP-RH-AG			1
4	W10124350	NOT REQUIRED PART OR SEE NOTE			1
5	27613002	SPLICE - CCS			2
	31712006	INSULATING SLEEVE-S3			2
6	36131093	RETAINING RING-AG-S3	36131087		1
7	018972--	TERMINAL-INSULATED-U			1
8	36913030	INSULATOR-S3603,09,1			1
9	39461017	HOSE GRIP-LH-AG-S361			1
10	51375134	NAMEPLATE-C2090			1
	47551036	GRIP CONTROL-C2090			1
11	36153029	LATCH RING-S3279			1
12	38646081	INNER TUBE - AG			1
13	46526004	CONNECTOR-S3603,09,1			1
14	36152029	PLUG LATCH-AG-S3603-			1