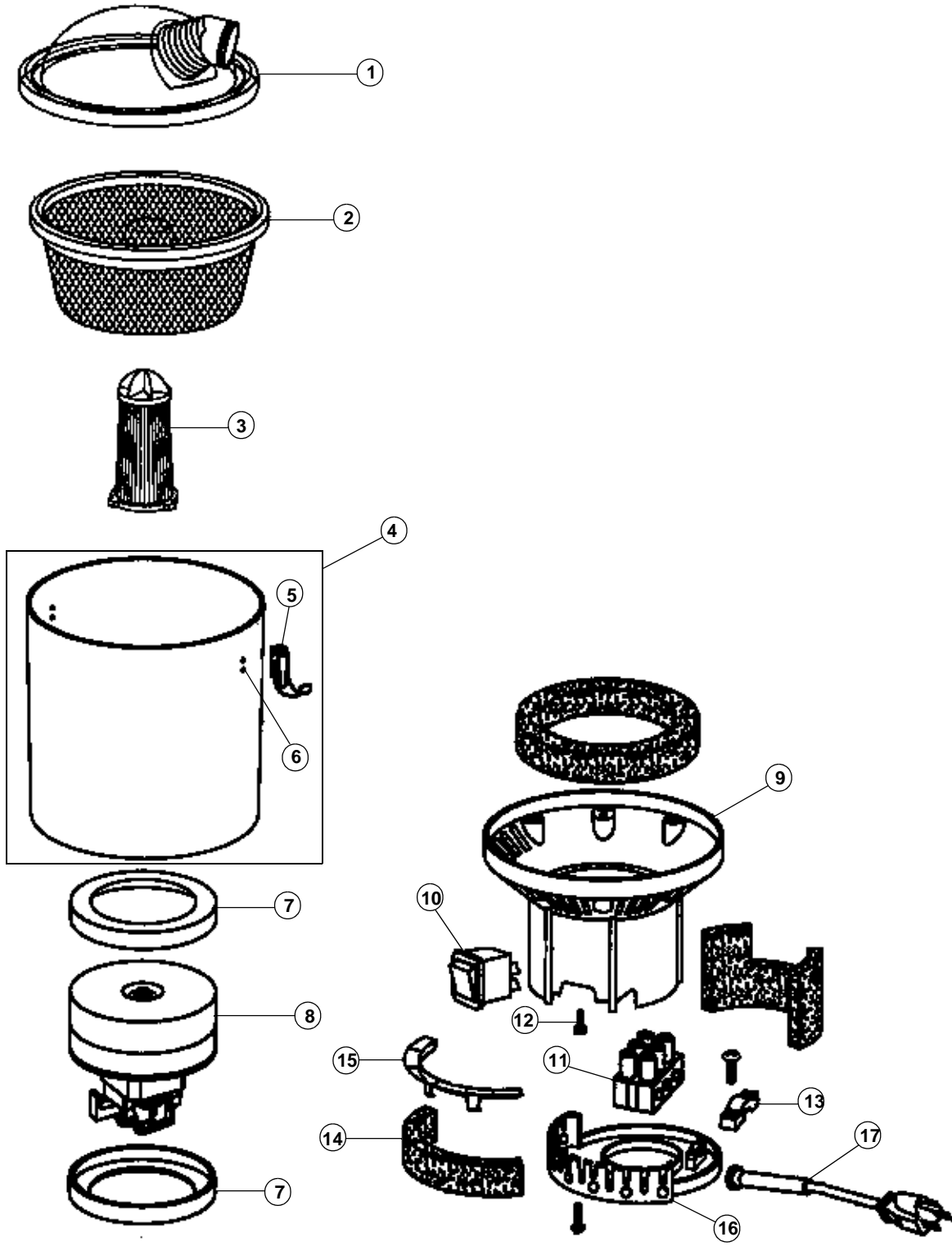


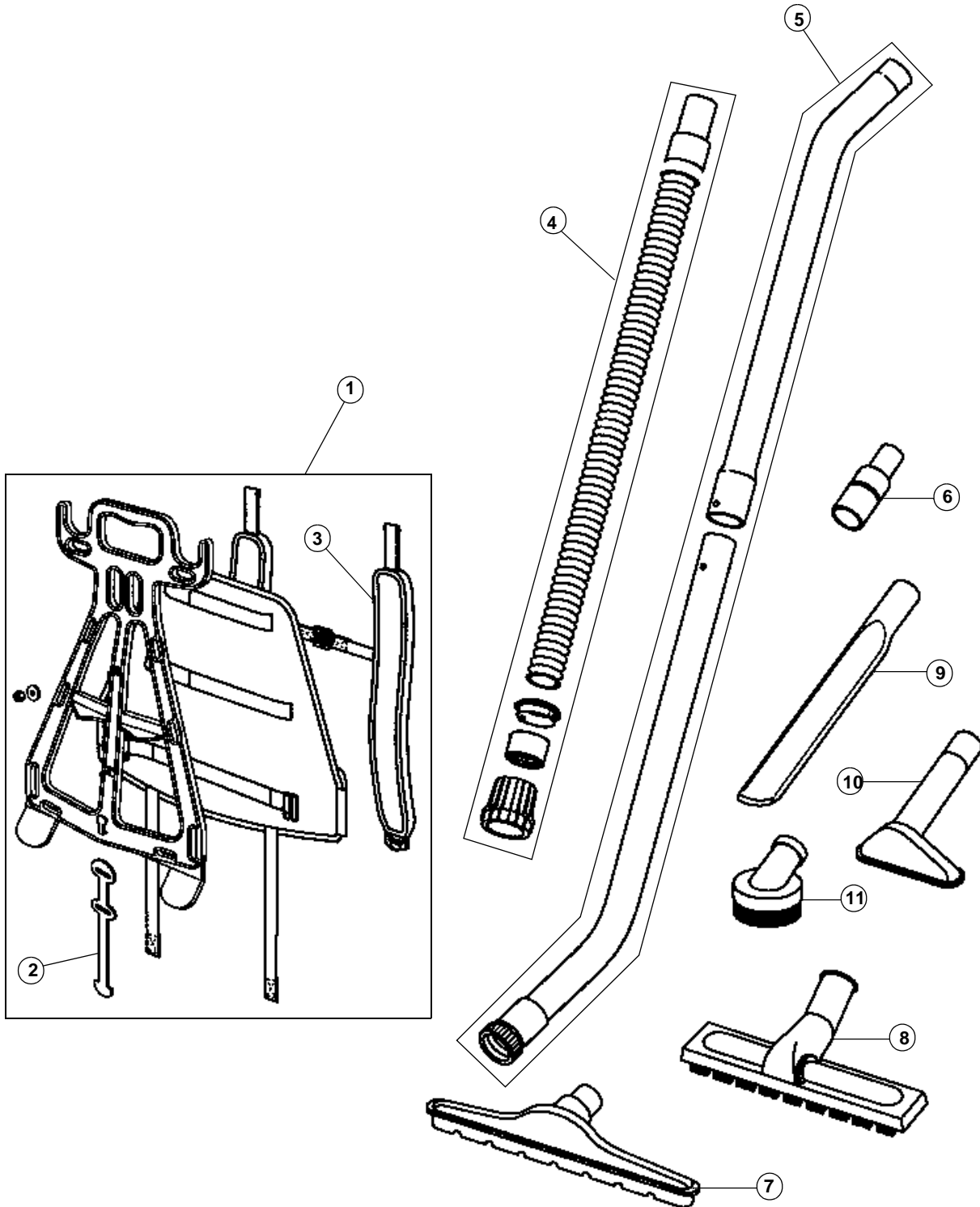
# ASSEMBLY SCHEMATIC



## PART LISTING

ITEM	PART NUMBER	MODELS TO FIT	PART DESCRIPTION
1	2KE2100000	C2401	TOP DOME LID ASSEMBLY
2	2KE2105000	C2401	DUST BAG W/RUBBER RING
3	2KE2110000	C2401	HEPA FILTER
4	2KE0200000	C2401	MAIN CANISTER BODY COMPLETE
5	1KE0205000	C2401	TOGGLE LATCH
6	1KE0206000	C2401	RIVET
7	1KE0210000	C2401	MOTOR GASKET
8	2KE0210000	C2401	MOTOR ASSEMBLY
9	1KE0225BG0	C2401	INTERMEDIATE HOUSING
10	1KE2140000	C2401	ROCKER SWITCH
11	1KE0275000	C2401	WIRING LOOM - INCLUDES THERMAL
12	1KE0245000	C2401	SCREW - 5mm
13	1KE0260600	C2401	CABLE CLAMP
14	1KE2155000	C2401	EXTERNAL MOTOR FILTER
15	1KE2150000	C2401	EXTERNAL MOTOR FILTER CAGE
16	1KE0281600	C2401	BOTTOM CAP
17		C2401	POWER CORD PIGTAIL - 10 AMP
	1KE2103000 3KE2103000	C2401	TYPE BP PAPER BAG - BULK TYPE BP PAPER BAG - 7 PACK

# ASSEMBLY SCHEMATIC



## PART LISTING

<b>ITEM</b>	<b>PART NUMBER</b>	<b>MODELS TO FIT</b>	<b>PART DESCRIPTION</b>
1	2KE2185000	C2401	HARNES ASSEMBLY COMPLETE
2	1KE0425600	C2401	CORD RESTRAINT
3	1KE0430600	C2401	SHOULDER STRAP
4	2KE2200000	C2401	HOSE ASSEMBLY COMPLETE
5	2KE2225000	C2401	TELESCOPIC WAND ASSEMBLY
6	1KE2255000	C2401	CONNECTOR
7	2KE2235000	C2401	FLOOR TOOL 1-1/2
8	2KE2410000	C2401	FLOOR BRUSH TOOL 1-1/2
9	1KE2250000	C2401	CREVICE TOOL 1-1/2
10	2KE2245000	C2401	DUSTING BRUSH 1-1/2
11	2KE2240000	C2401	UPHOLSTREY TOOL 1-1/2
	C9315	C2401	ATTACHMENT KIT 1-1/4