

This Owner's Manual is provided and hosted by [Appliance Factory Parts](#).



HOOVER C3820 Owner's Manual

[Shop genuine replacement parts for HOOVER C3820](#)

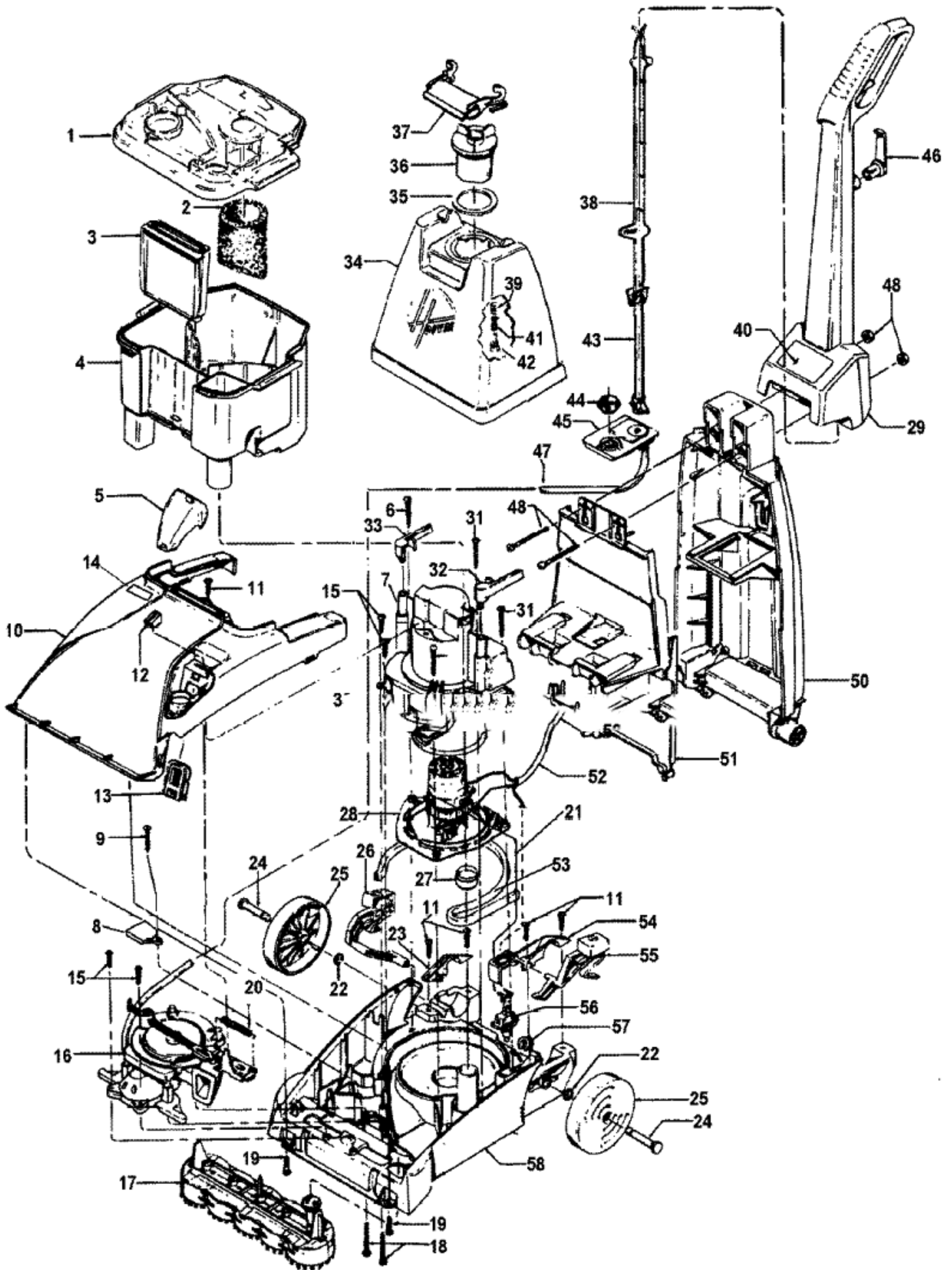


[Find Your HOOVER Vacuum Cleaner Parts - Select From 1456 Models](#)

----- Manual continues below part list -----

Available Replacement Parts for HOOVER C3820

HR-2400	Brush block Aftermarket
H-38784062	Gasket .
H-38777008	Recovery Tank without lid .
H-39383106	Lens.
H-38762010	FILTER, EXTRACTOR FOAM



Model Number: C3820---

BOM/Serial #: C3820---

Graphic Title: MOTOR ASSEMBLY, MAINASSEMBLY

Image	Key	Part Number	Description	Substitution	Qty.
1	1	42272111	RECOVERY TANK LID		1
1	2	43611041	TANK FILTER		1
1	3	38661003	DUCT		1
1	4	38777081	RECOVERY TANK-SERVICE		1
1	5	39383106	LENS-F5851/55/59		1
1	6	21447246	SCREW-SV 3.125"		1
1	7	-----	NOT REQUIRED PART OR SEE NOTE		1
1	8	37911083	INLET CAP-C3820		1
1	9	21447217	SCREW-SELF TAPPING		1
1	10	37271057	HOOD ASSEMBLY-AG-C38		1
1	11	21447020	SCREW		5
1	12	38421093	INDICATOR KNOB-F5851		1
1	13	43613009	SCREEN-F5851/55/59		1
1	14	51669080	HOOD NAMEPLATE		1
1	15	21447217	SCREW-SELF TAPPING		5
1	16	43191001	TURBINE & GEAR-F5851	91001020	1
1	17	48437022	BRUSH BI QCK-F5851/55		1
1	18	21479438	SCREW		2
1	19	21447072	SCREW		2
1	20	38333009	SPRING-F5851/55/59		1
1	21	49811039	LEAD WIRE-BLACK-C382		1
1	22	160017--	LOCK RING		2
1	23	36131085	TRUNION COVER - RH		1
1	24	32434007	REAR AXLE		2
1	25	38522076	REAR WHEEL		2
1	26	38458042	HANDLE RELEASE LEVER		1
1	27	38784063	STANDPIPE SEAL		1
1	28	41311016	BRUSH HOLDER ASSEMBL		2
1	28	43576202	MOTOR ASSEM-F5853		1
1	29	48663177	upper handle-c38203	90001258	1
1	30	40309027	SERV KIT-MOTOR COVER		1
1	31	21447232	SCREW-SELF TAPPING-F		4
1	32	36151029	TANK RELEASE LATCH-L		1
1	33	36151019	TANK RELEASE LATCH-R		1
1	34	42272134	SOLUTION TANK-F6028		1

Image	Key	Part Number	Description	Substitution	Qty.
1	35	38784062	GASKET		1
1	36	42272002	SOLUTION TANK CAP ASSEM		1
1	37	39457016	SOLUTION TANK HANDLE		1
1	38	38458031	CONTROL ROD - UPPER		1
1	39	38312014	SPRING		1
1	40	-----	NOT REQUIRED PART OR SEE NOTE		1
1	41	38784061	VALVE SEAL		1
1	42	38717009	VALVE STEM		1
1	43	38458033	CONTROL ROD - LOWER		1
1	44	38784060	SOLUTION TANK SEAL		1
1	45	43516007	RESERVOIR ASSEM - F5		1
1	46	39442041	CORD WRAP		1
1	47	40309002	SERVICE TUBING - STE		1
1	48	40201145	HARDWARE ASSEMBLY		1
1	49	34113004	MOTOR SEAL		1
1	50	39466033	LOWER HANDLE-F5851/5		1
1	51	37276001	HANDLE COVER		1
1	52	46583048	ATTACH. CORD-35'-3 W		1
1	53	38781048	MOTOR BASE SEAL		1
1	54	36131086	TRUNION COVER - LH		1
1	55	38434025	SWITCH A/OFF-5805/15/25		1
1	56	28218048	SWITCH-F5805/15/25		1
1	57	36172016	CORD RETAINER		1
1	58	42274005	MN BODY-SV-W/VT-5 BR		1
1	59	38719027	FLOAT RETAINER-STEAM		1
1	59	58364017	MID SUPPORT-F5851/55		1
1	59	58332024	BOTTOM REAR SUPPORT		1
1	59	58315006	REAR SUPPORT		1
1	59	58313006	HANDLE PROTECTOR-F58		1
1	59	56711149	OWNER MANUAL-C3820		1
1	59	51865024	ON/OFF LABEL - STEAM		1
1	59	51638055	HDL REL LABEL-STEAM		1
1	59	43538001	Float Assembly		1
1	59	58461019	FRONT/REAR SUPPORT		1
1	59	38784070	SEAL-FL. RET.-STEAM		1
1	59	40301064	CARPET DETER-64OZ(6)		1
1	59	51639192	Br. Sp. Nameplate		1