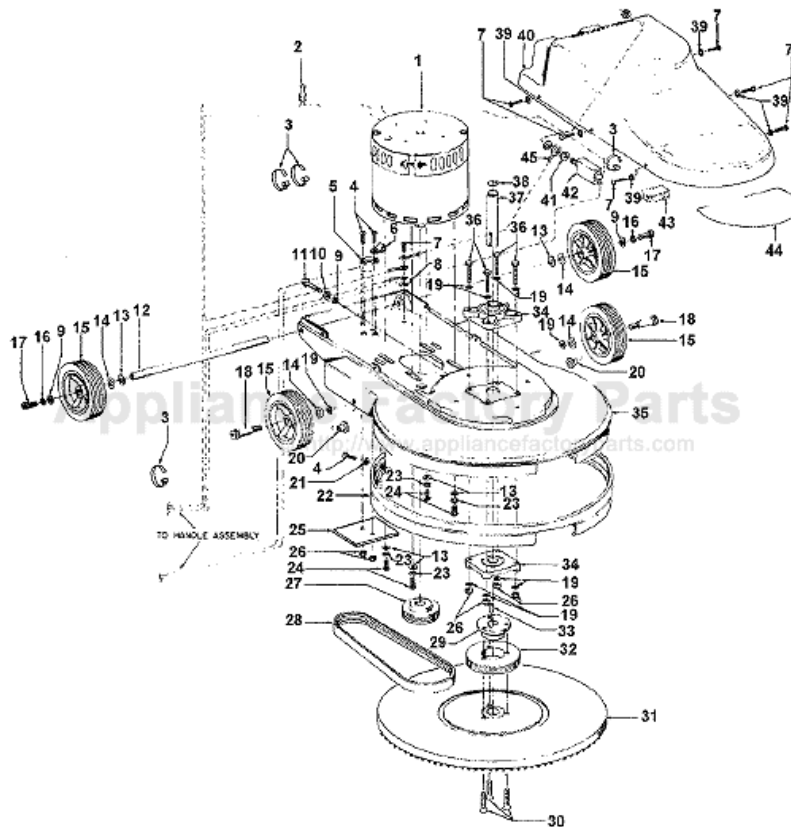


This Owner's Manual is provided and hosted by [Appliance Factory Parts](#).



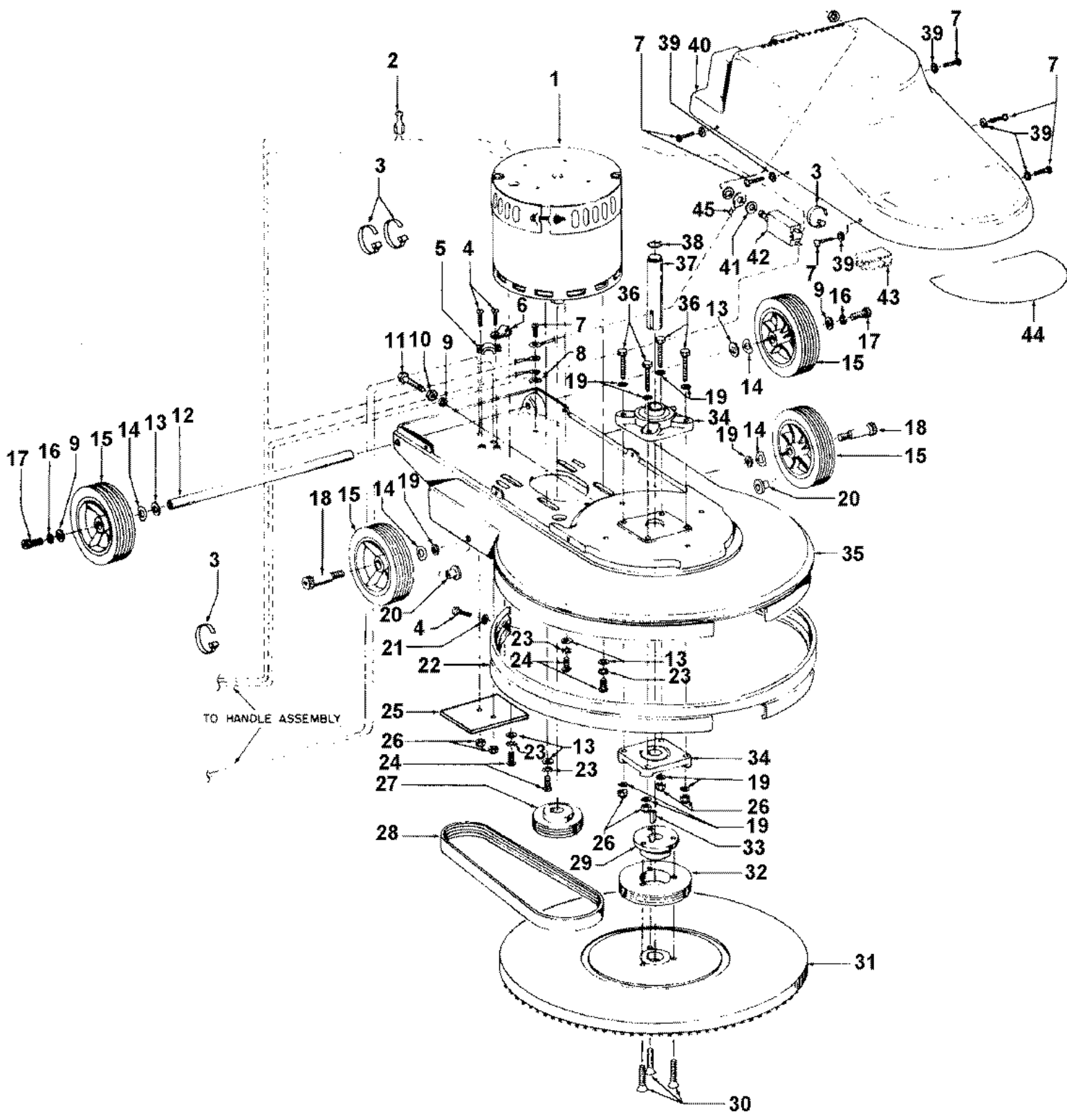
HOOVER C5039 Owner's Manual

[Shop genuine replacement parts for HOOVER C5039](#)



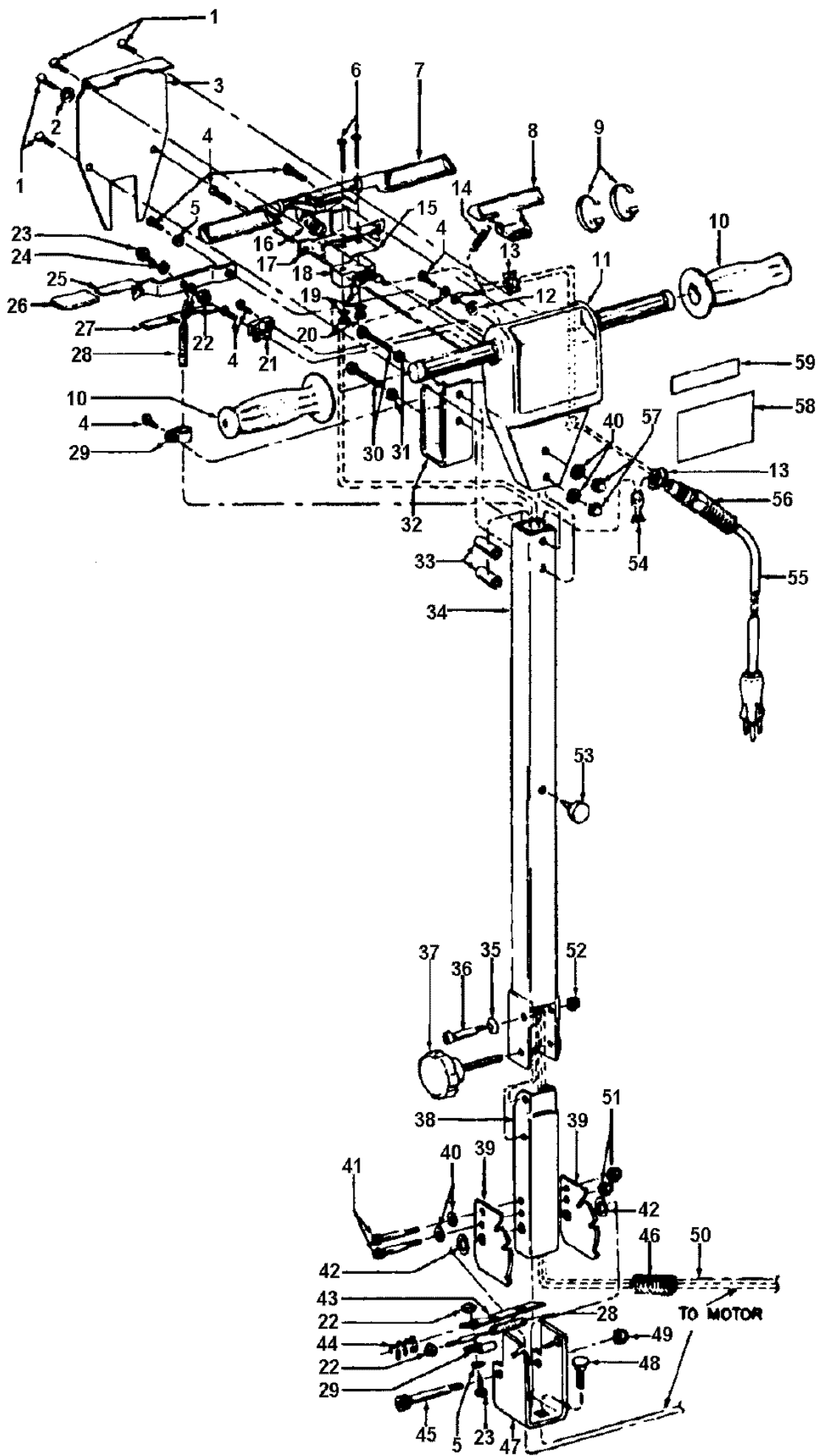
[Find Your HOOVER Vacuum Cleaner Parts - Select From 1455 Models](#)

----- Manual continues below -----



1	43174012	MOTOR-OHIO 1.5 HP-C5
2	018972--	TERMINAL-INSULATED-U
3	1539143-	WIRE TIE
4	21447208	SELF-TAPPING SCREW
5	27478611	STRAIN RELIEF - C207
6	014492--	CORD CLAMP-F5300
7	21447207	SELF-TAPPING SCREW
8	164929--	LOCK WASHER D6047
9	21312798	WASHER
10	1107628-	NUT-C3003
11	21811018	HEX HEAD BOLT
12	31565006	AY-AXLE SHAFT - C503
13	21312800	FLAT WASHER
14	21347002	CURVED SPRING WASHER
15	43247024	WHEEL
16	1107627-	WASHER-C3003
17	21751003	SOCKET HEAD CAP SCRE
18	21751004	SOCKET HEAD SHOULDER
19	21312799	FLAT WASHER
20	21872104	WELD NUT - AY
21	21312797	FLAT WASHER
22	36235046	LY-FURN GUARD -C5037
23	21356014	LOCK WASHER - CCS
24	21751002	BUTTON HEAD CAP SCRE
25	34175020	BEARING PLATE
26	21854203	HEX LOCK NUT
27	38524010	MOTOR SHEAVE
28	38528023	BELT - POLYV-C5037/3
29	24118009	BUSHING - C5037/39/4
30	21751007	FLAT HEAD MACHINE SC
31	48437023	PAD HOLDER ASSEMBLY
32	38536001	SHEAVE - DAYCO-C5037
33	62161002	KEY
34	24113369	BEARING - C5037/39/4
35	37272077	LA BURNISHER CASTING
36	21811019	HEX HEAD BOLT
37	31534014	SHAFT - C5037/39/41
38	24721163	RETAINING RING-C5037
39	21312801	FLAT WASHER
40	37271017	H.P. SHROUD - C5037/
41	163110--	WASHER
42	27854007	CIRCUIT BREAKER-C503
43	34141007	MOTOR CUSHION
44	51664016	LABEL - SHROUD
45	46155014	LEAD WIRE ASSEMBLY -
46	171150--	PAD FASTENER C5041 (
46	171151--	CENTER HUB C5041 (PH

46	171152--	PAD FASTENER C5037/3
46	171153--	CENTER HUB C5037/39
46	27292003	CARBON BRUSH-C5039/4
46	56518054	OWNER MANUAL-C5037/3
46	58219014	REAR SUPPORT
46	58219015	FRONT TOP SUPPORT
46	58347008	TOP SUPPORT-C5037/39
46	58351024	FRONT SUPPORT - C503
46	58369056	BOTTOM SUPPORT - C50
46	59131355	KEY-SQUARE-ADV-F7089



1	21447209	SELF-TAPPING SCREW
2	21354601	LOCK WASHER
3	37944008	COVER PLATE-AG-C5031
4	21447207	SELF-TAPPING SCREW
5	1107641-	WASHER-C9013
6	21768127	MACHINE SCREW
7	38458019	SWITCH LEVER-AG-C503
8	38421046	HP-SW LOCKOUT BUTTON
9	1539143-	WIRE TIE
10	39454051	HANDLE GRIP-AG-C5031
11	37923035	SWITCH BOX-AG-C5031/
12	164929--	LOCK WASHER D6047
13	21853019	LOCKNUT
14	38333006	TENSION SPRING
15	34154005	INSULATING BARRIER
16	38314002	SPRING
17	36957021	SWITCH BRACKET - AY
18	28218044	SWITCH - C5031
19	1107699-	WASHER-S7001
20	1307631-	BRASS NUT-C3003
21	27478611	STRAIN RELIEF - C207
22	1107602-	LOCK NUT-C3003
23	21781154	SCREW-C9013
24	21312796	WASHER - C3007
25	38452096	RELEASE LEVER - AY
26	25696405	SLEEVE - AY
27	34252015	RESTRAINT BAR
28	43211008	CABLE ASSEM - C5031
29	36171029	CABLE CLAMP - C5031
30	21811018	HEX HEAD BOLT
31	1107627-	WASHER-C3003
32	34638009	CORD WRAP - AZ
33	31722023	SPACER
34	48663138	HANDLE TUBE - UPPER
34	48663156	HANDLE - UPPER
35	21347004	SPRING WASHER
36	21811021	SOCKET HEAD SHOULDER
37	23718104	KNOB - C5031, C5037
38	48663140	HANDLE TUBE - LOWER
38	48663151	HANDLE - LOWER
39	34287032	CAM PLATE - C5039
40	21312798	WASHER
41	21751006	SOCKET HEAD SHOULDER
42	21312519	BRASS WASHER
43	34252011	RELEASE BAR - FW
44	38314020	FW-BAIL RET SPRING-C
45	21751005	SOCKET HEAD SHOULDER

46	38335024	AY-SPRING - C5037/39
47	34618021	HANDLE BRACKET - FW
48	21831025	CARRIAGE BOLT
49	21854202	LOCK NUT
50	46535001	CORD & TERMINAL ASSE
50	46535003	CORD & TERMINAL ASSE
51	21854103	NUT-C2075
52	21851005	NUT-S7001-CHEMKO
53	36222019	BUMPER - C5031
54	018972--	TERMINAL-INSULATED-U
55	46583156	ATTACH CORD COMP-75'
56	27482140	STRAIN RELIEF - C503
57	21846155	ACORN NUT
58	51663004	LABEL - FLOORMAX
59	51615018	LABEL-1150 RPM - C50
59	51615019	LABEL-1550 RPM - C50
59	51615020	LABEL-2000 RPM - C50
60	21312812	WASHER - SPECIAL
61	31721042	SPACER - .250 - CCS