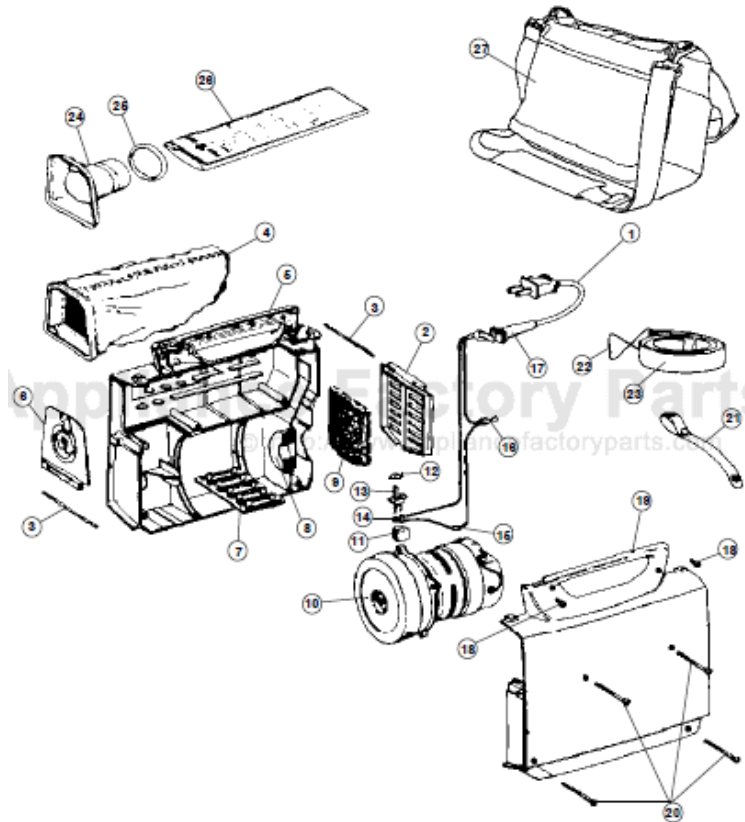


This Owner's Manual is provided and hosted by Appliance Factory Parts.



HOOVER CH30000 Owner's Manual

[Shop genuine replacement parts for HOOVER CH30000](#)



[Find Your HOOVER Vacuum Cleaner Parts - Select From 1455 Models](#)

----- Manual continues below -----

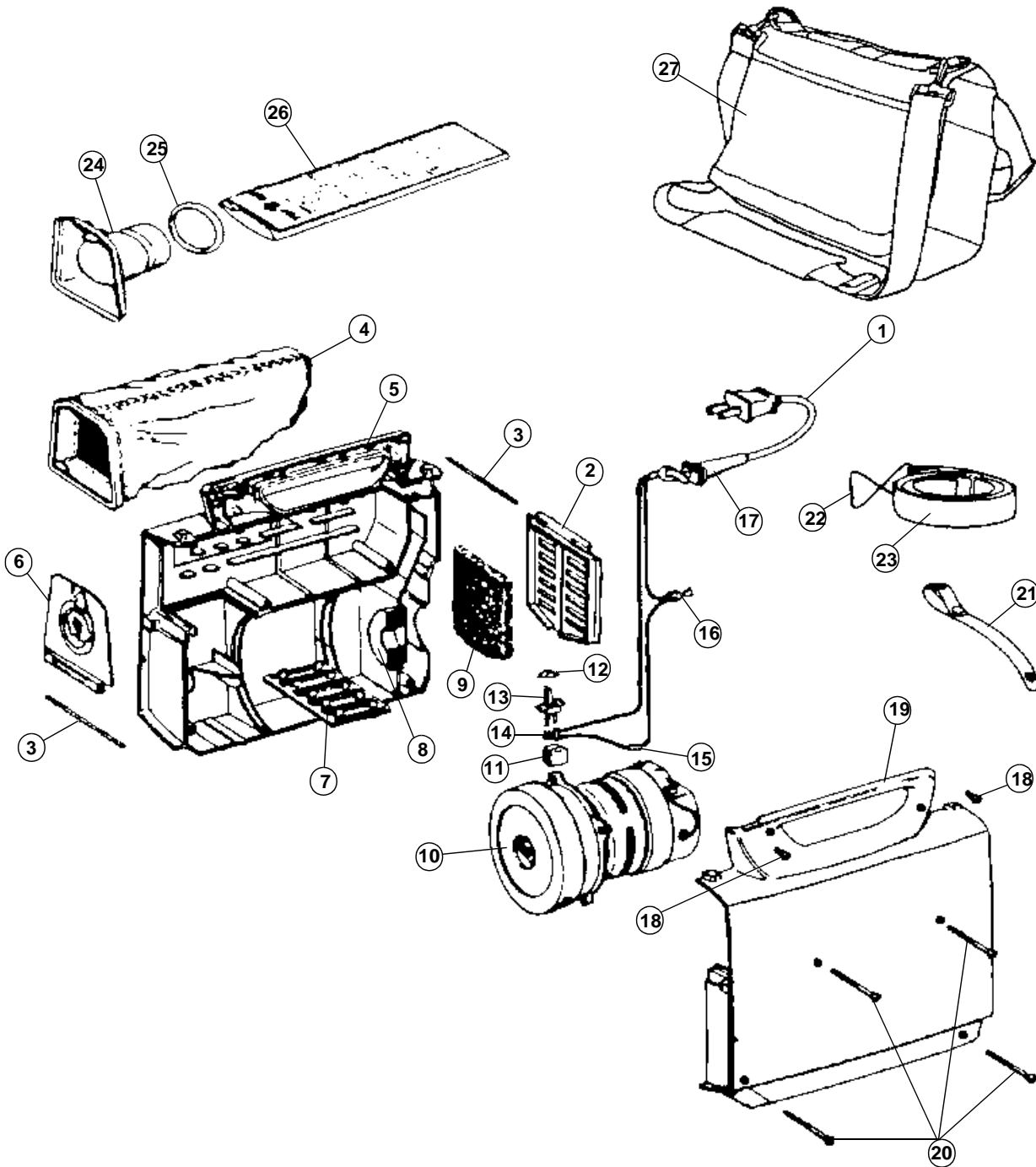


Portapower

ASSEMBLY SCHEMATIC

MODEL NO.

C2094
CH30000





Portapower™

PART LISTING

| ITEM | PART NUMBER | MODELS To FIT | PART DESCRIPTION |
|------|-------------|----------------|--|
| 1 | 46383258 | C2094, CH30000 | POWER CORD |
| 2 | 162059AG | C2094, CH30000 | DIFFUSER DOOR |
| 3 | 162062AY | C2094, CH30000 | HINGE PIN |
| 4 | 43662023 | C2094, CH30000 | CLOTH BAG ASSEMBLY - SHAKEOUT |
| 5 | 42222164 | C2094 | HOUSING - RIGHT BLACK |
| | 42222158 | C2094 | HOUSING - RIGHT ORANGE CAN BE USED AS SUB |
| | 59156690 | CH30000 | HOUSING - RIGHT |
| 6 | 42227039 | C2094, CH30000 | BAG DOOR |
| 7 | 162083JM | C2094, CH30000 | SECONDARY FILTER |
| 8 | 33712005 | C2094 | PRESSURE PAD |
| | 59156688 | CH30000 | PRESSURE PAD |
| 9 | 34366001 | C2094, CH30000 | DIFFUSER |
| 10 | 43177042 | C2094 | MOTOR ASSEMBLY |
| | 59156687 | C2094 | MOTOR ADAPTOR KIT - <i>WHEN 43177042 IS NLA</i> ALSO NEED TO ORDER MOTOR 59135400 |
| | 59135400 | CH30000 | MOTOR ASSEMBLY |
| 11 | 37922002 | C2094, CH30000 | THERMINAL SHIELD |
| 12 | 38421012 | C2094, CH30000 | SWITCH BUTTON |
| 13 | 28177006 | C2094, CH30000 | SWITCH |
| 14 | 27666702 | C2094, CH30000 | SWITCH TERMINAL |
| 15 | 59135401 | CH30000 | MOTOR TERMINAL |
| 16 | 012227-- | C2094, CH30000 | WIRE TERMINAL |
| 17 | 36215015 | C2094, CH30000 | CORD PROTECTOR - BLACK |
| 18 | 21447043 | C2094, CH30000 | SCREW |
| 19 | 37223111 | C2094 | HOUSING - LEFT |
| | 59156689 | CH30000 | HOUSING - LEFT |
| 20 | 21479573 | C2094 | SCREW |
| | 59156694 | CH30000 | SCREW - M4 x 18 x 70MM |
| 21 | 48615012 | C2094, CH30000 | CORD STORAGE STRAP |
| 22 | 33153002 | C2094, CH30000 | STRAP HOOK |
| 23 | 48615001 | C2094, CH30000 | CARRYING STRAP ASSEMBLY |
| 24 | 38663010 | C2094, CH30000 | DISPOSABLE BAG SUPPORT TUBE |
| 25 | 046550AG | C2094, CH30000 | RUBBER RING |
| 26 | 4010038N | C2094, CH30000 | TYPE N PAPER BAG - 5 PACK |
| | 4010050N | C2094, CH30000 | PAPER BAG ADAPTOR KIT - ADAPTOR WITH FIVE PAPER BAGS |
| 27 | CH01005 | CH30000 | PORTAPACK - CARRYING WRAP |

MODEL No.

C2094
CH30000

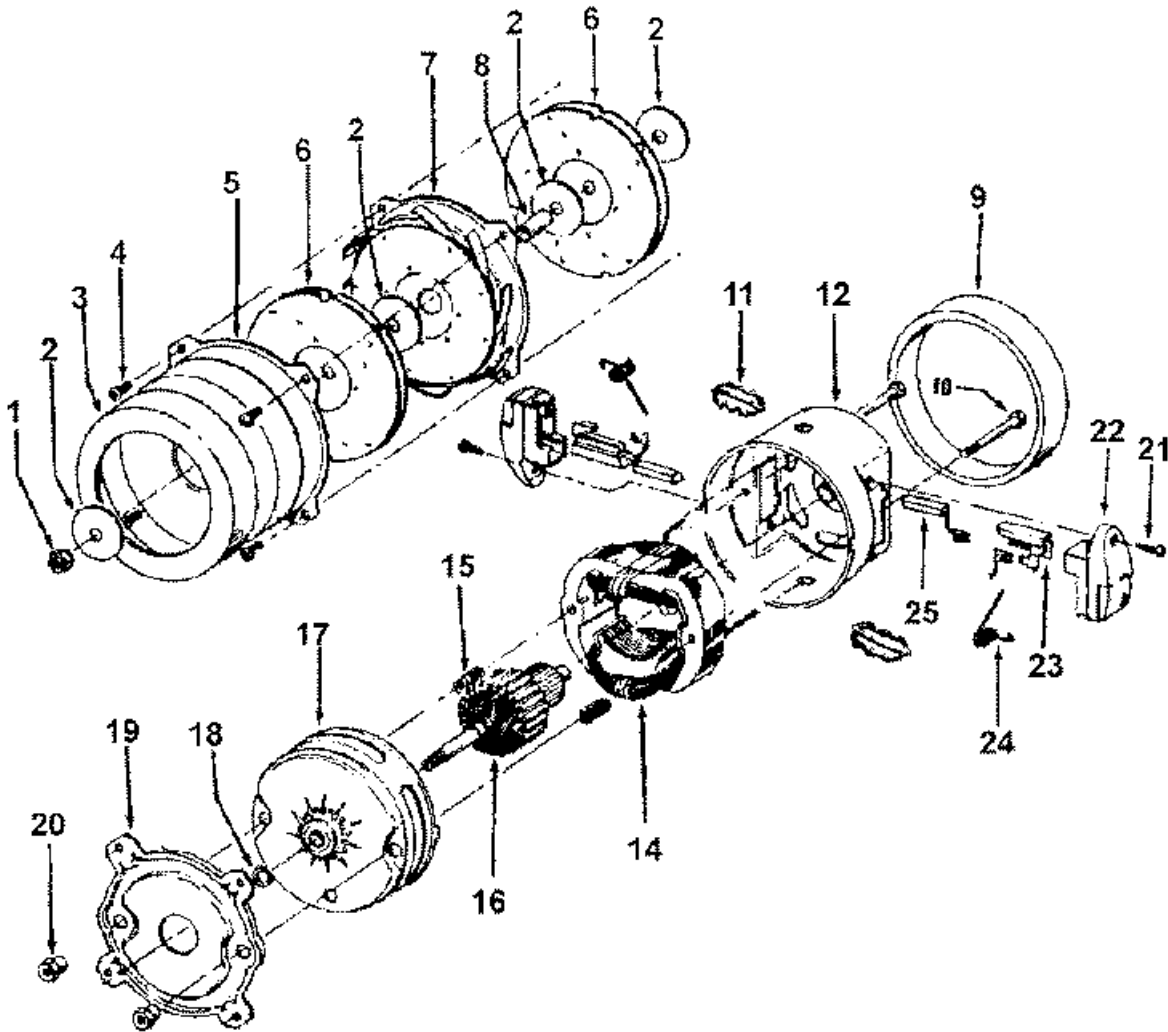


Portapower™

ASSEMBLY SCHEMATIC

MODEL NO.

C2094
CH30000





Portapower™

PART LISTING

MODEL No.

C2094
CH30000

| ITEM | PART NUMBER | MODELS TO FIT | PART DESCRIPTION |
|------|-------------|---------------|--|
| 1 | 33426001 | C2094 | NUT |
| 2 | 21312701 | C2094 | WASHER |
| 3 | 31328002 | C2094 | MOTOR MOUNT |
| | 562666001 | CH30000 | MOTOR MOUNT |
| 4 | 21434224 | C2094 | SCREW |
| 5 | 37191016 | C2094 | OUTERSTAGE HOUSING |
| 6 | 43566007 | C2094 | FAN |
| 7 | 43551005 | C2094 | INNERSTAGE ASSEMBLY |
| 8 | 31742010 | C2094 | FAN SPACER |
| 9 | 31178007 | C2094 | MOTOR GASKET |
| | 562676001 | CH30000 | MOTOR GASKET |
| 10 | 33421004 | C2094 | FIELD LAMINATION BOLT |
| 11 | 169702BZ | C2094 | WIRE PROTECT BUSHING |
| 12 | 42937003 | C2094 | UPPER MOTOR HOUSING |
| 14 | 45311035 | C2094 | FIELD COIL ASSEMBLY - 1.7 |
| | 45311051 | C2094 | FIELD COIL ASSEMBLY - 2.2 |
| 15 | 167721FW | C2094 | SPRING |
| 16 | 44765171 | C2094 | ARMATURE ASSEMBLY COMPLETE |
| 17 | 37191085 | C2094 | LOWER MOTOR HOUSING |
| 18 | 31148002 | C2094 | SPACER |
| 19 | 36322002 | C2094 | INTERSTANGE MOUNTING PLATE |
| 20 | 167695EF | C2094 | NUT |
| 21 | 21429406 | C2094 | SCREW |
| 22 | 167696AG | C2094 | BRUSH HOUSING |
| | 47318008 | C2094 | BRUSH CARRIER ASSEMBLY |
| 23 | | C2094 | BRUSH HOLDER |
| 24 | 38353004 | C2094 | SPRING |
| 25 | 167681-- | C2094 | CARBON BRUSH AND TERMINAL |
| | 40309053 | CH30000 | CARBON BRUSH AND TERMINAL * PLEASE NOTE: MODIFICATION OF THE MOTOR IS REQUIRED TO INSTALL. THE SHUNT WILL NEED TO BE RE-CRIMPED ONTO THE FIELD WIRE, AND THE CAN NEEDS MODIFIED TO CLEAR INSERTING THE NEW BRUSH (FILLED OR CUT DOWN) |

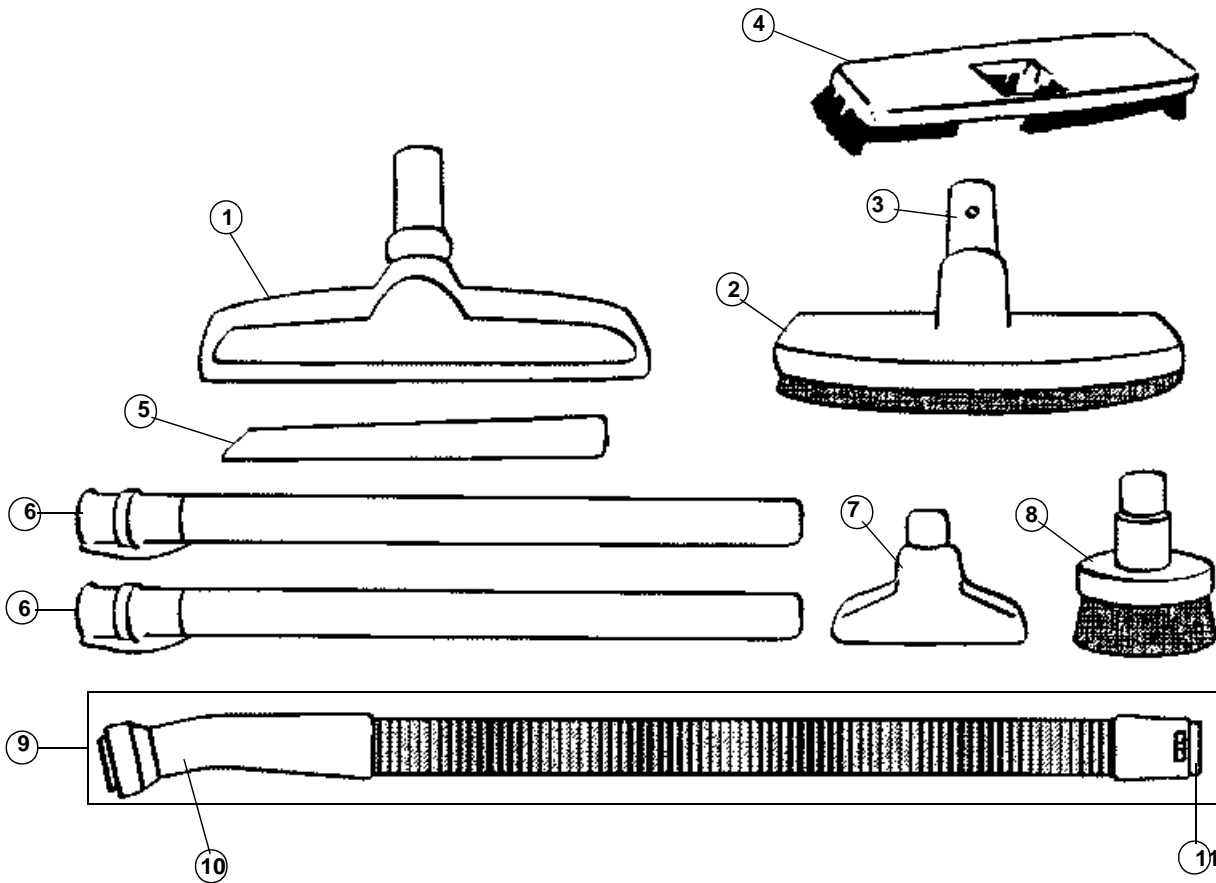


Portapower™

ASSEMBLY SCHEMATIC

MODEL NO.

C2094
CH30000





Portapower™

PART LISTING

MODEL NO.

C2094
CH30000

| ITEM | PART NUMBER | MODELS TO FIT | PART DESCRIPTION |
|------|-------------|----------------|-------------------------------|
| 1 | 4341401P | C2094, CH30000 | RUG / FLOOR NOZZLE |
| 2 | 43414073 | C2094, CH30000 | FLOOR BRUSH |
| 3 | 38644020 | C2094, CH30000 | SWIVEL CONNECTOR |
| 4 | 48447001 | C2094, CH30000 | BRUSH BACK |
| 5 | 38617017 | C2094, CH30000 | CREVICE TOOL - 7" BLACK |
| 6 | 43453027 | C2094, CH30000 | EXTENSION TUBE ASSEMBLY |
| 7 | 43414057 | C2094, CH30000 | FURNITURE NOZZLE - BLACK |
| 8 | 43414064 | C2094, CH30000 | DUSTING BRUSH |
| 9 | 43434239 | C2094, CH30000 | HOSE ASSEMBLY COMPLETE - 5.5" |
| 10 | 38656042 | C2094, CH30000 | HOSE CONNECTOR |
| 11 | 36153009 | C2094, CH30000 | LATCH RING |