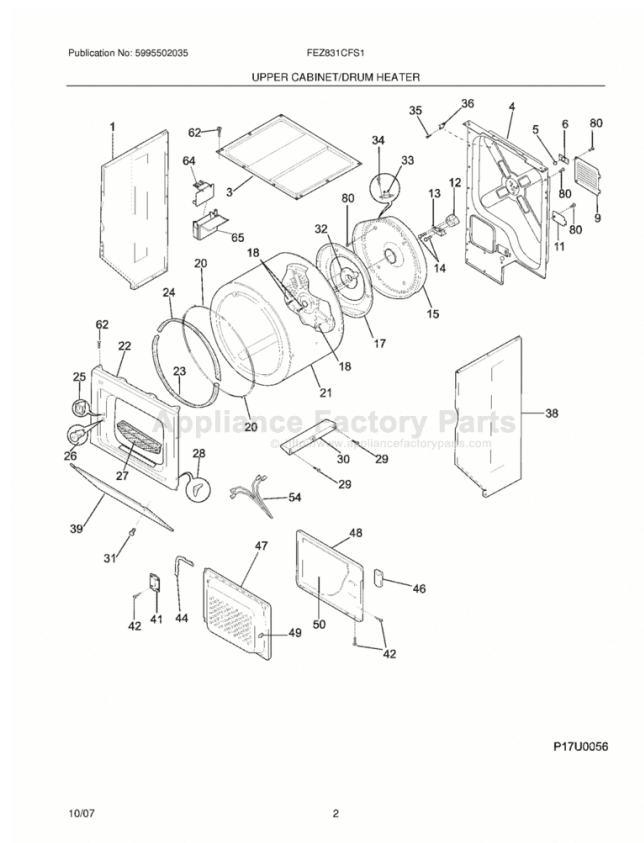


This Owner's Manual is provided and hosted by Appliance Factory Parts.



Electrolux FEZ831CFS1 Owner's Manual

[Shop genuine replacement parts for Electrolux
FEZ831CFS1](#)



[Find Your Electrolux Dryer Parts - Select From 57 Models](#)

----- Manual continues below -----

27" (69 cm) Wide Laundry Center Washer - Dryer

Installation Instructions

COMBINE LAVEUSE/SECHUESE

Largeur de 27 pounces (69 cm)

Instructions d'installation

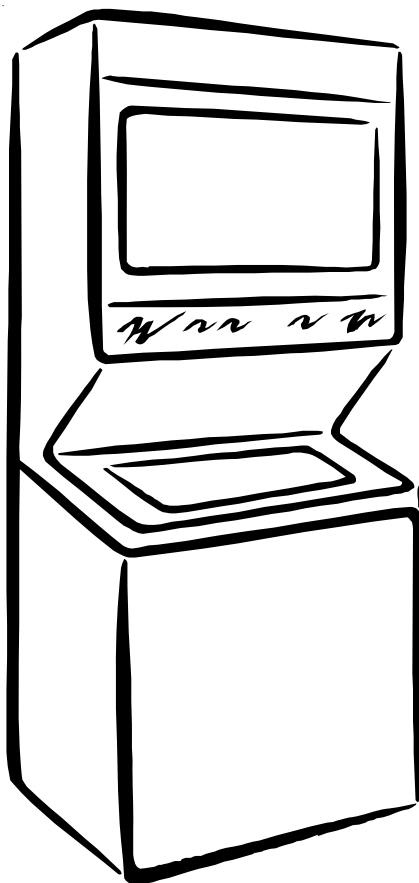


Table Of Contents

<u>SUBJECT</u>	<u>PAGE</u>
Pre-Installation Requirements.....	2
Electrical Requirements.....	3
Water Supply Requirements	3
Drain Requirements.....	3
Exhaust System Requirements	4-5
Gas Supply Requirements	5
Location.....	5
Rough-In Dimensions.....	6
Mobile Home Installation.....	7
Unpacking.....	7
Electrical Installation.....	8
Grounding Requirements.....	8
3 & 4-Wire Connections	9
Installation.....	10-11
Replacement Parts.....	11

P/N 134897400B (0904)

Table des matières

<u>SUJET</u>	<u>PAGE</u>
Avant l'installation.....	12
Exigences électriques.....	13
Exigences d'alimentation.....	13
Exigences de vidange.....	13
Exigences du circuit d'évacuation.....	14-15
Exigences d'alimentation en gaz.....	15
Emplacement du combiné laveuse/sécheur.....	15
Dimensions de l'emplacement.....	16
Installation dans une maison mobile.....	17
Déballage.....	17
Installation électrique.....	18
Exigences de mise à la terre.....	18
Connexions électriques - 3 fils et 4 fils.....	18-19
Installation.....	19-20
Pièces de rechange.....	20

www.frigidaire.com


IMPORTANT SAFETY INSTRUCTION

 This is the safety alert symbol. This symbol alerts you to hazards that can kill or hurt you or others. All safety messages will be preceded by the safety alert symbol and the word "DANGER" or "WARNING". These words mean:

 **DANGER** *You can be killed or seriously injured if you don't immediately follow instructions.*

 **WARNING** *You can be killed or seriously injured if you don't follow instructions.*

All safety messages will identify the hazard, tell you how to reduce the chance of injury, and tell you what can happen if the instructions are not followed.

 **WARNING** For your safety the information in this manual must be followed to minimize the risk of fire or explosion or to prevent property damage, personal injury or loss of life. Do not store or use gasoline or other flammable vapors and liquid in the vicinity of this or any other appliance.

Read all of the following instructions before installing and using this appliance.

- Destroy the carton and plastic bags after the Laundry Center is unpacked. Children might use them for play. Cartons covered with rugs, bedspreads, or plastic sheets can become airtight chambers causing suffocation. Place all materials in a garbage container or make materials inaccessible to children.
- Installations must be performed by a qualified or licensed contractor, plumber, or gasfitter qualified or licensed by the state, province, or region where this appliance is being installed.
- Before beginning installation, carefully read these instructions. This will simplify the installation and ensure the Laundry Center is installed correctly and safely. Leave these instructions near the Laundry Center after installation for future reference.
- The electrical service to the Laundry Center must conform with local codes and ordinances and the latest edition of the National Electrical Code, ANSI/NFPA 70, or in Canada, the Canadian electrical code C22.1 part 1.
- The gas service to the Laundry Center must conform with local codes and ordinances and the latest edition of the National Fuel Gas Code ANSI Z223.1, or in Canada, CAN/ACG B149.1-2000.
- The Laundry Center is designed under ANSI Z 21.5.1 or ANZI/UL 2158 - CAN/CSA C22.2 No. 112 (latest editions) for HOME USE only. This Laundry Center is not recommended for commercial applications such as restaurants or beauty salons, etc.
- Do not install a Laundry Center with flexible plastic venting materials. Flexible venting materials are known to collapse, be easily crushed and trap lint. These conditions will obstruct clothes dryer airflow and increase the risk of fire.
- Your safety and the safety of others is very important. We have provided many important safety messages in the Installation Instructions / Use & Care Guide and on your appliance. Always read and obey all safety messages.
- The instructions in this manual and other literature included with this dryer are not meant to cover every possible condition and situation that may occur. Good safe practice and caution MUST be applied when installing, operating and maintaining any appliance.

WHAT TO DO IF YOU SMELL GAS

- Do not try to light any appliance.
- Do not touch any electrical switch; do not use any phone in your building.
- Clear the room, building or area of all occupants.
- Immediately call your gas supplier from a neighbor's phone. Follow the gas supplier's instructions.
- If you cannot reach your gas supplier, call the fire department.

PRE-INSTALLATION REQUIREMENTS

Tools and Materials Required for Installation:

- Adjustable pliers.
- Phillips, straight, & square bit screwdrivers.
- Adjustable wrench.
- Pipe wrench for gas supply (gas dryer).
- LP-resistant thread tape (for natural gas or LP supply, gas dryer)
- Carpenter's level.
- External vent hood.
- Rigid or semi-rigid metal 4 inch (10.2 cm) exhaust duct work.
- 3-wire or 4-wire 240 volt corg kit (electric dryer).
- 4 in. (10.2 cm) clamp.
- Gas line shutoff valve (gas dryer).
- ½ NPT union flare adapters (x2) and flexible gas supply line (gas dryer).
- Metal foil tape not (duct tape).

ELECTRICAL REQUIREMENTS

ELECTRIC Laundry Center

CIRCUIT - Individual 30 amp. branch circuit fused with 30 amp. time delay fuses or circuit breakers.

Use separately fused circuits for washers and dryers, and **DO NOT** operate a washer and a dryer on the same circuit.

POWER SUPPLY - 3 wire or 4-wire, 240 volt, single phase, 60 Hz, Alternating Current.

POWER SUPPLY CORD KIT - 3 wire - the dryer **MUST** employ a 3-conductor power supply cord NEMA 10-30 type SRDT rated at 240 volt AC minimum, 30 amp., with 3 open end spade lug connectors with upturned ends or closed loop connectors and marked for use with clothes dryers. See ELECTRICAL CONNECTIONS FOR A 3-WIRE SYSTEM.

4 wire - The dryer **MUST** employ a 4-conductor power supply cord NEMA 14-30 type SRDT or ST (as required) rated at 240 volt AC minimum, 30 amp., with 4 open end spade lug connectors with upturned ends or closed loop connectors and marked for use with clothes dryers. See ELECTRICAL CONNECTIONS FOR A 4-WIRE SYSTEM.

(Canada - 4-wire power supply cord is installed on dryer.)

WARNING – Risk of Shock. Appliance grounded to neutral conductor through a link. Grounding through the neutral link is prohibited for (1) New branch circuit installations (2) mobile homes; (3) recreational vehicles; and (4) areas where local codes do not permit grounding through the neutral, (1) disconnect the link from the neutral, (2) use grounding terminal or lead to ground appliance in accordance with local codes and (3) connect neutral terminal or lead to branch circuit neutral in usual manner (if the appliance is to be connected by means of a cord kit, use 4-conductor cord for this purpose). USE COPPER CONDUCTOR ONLY.

OUTLET RECEPTACLE - NEMA 10-30R receptacle to be located so the power supply cord is accessible when the dryer is in the installed position. (Canada - NEMA 14-30R receptacle.)



NEMA 10-30R



NEMA 14-30R

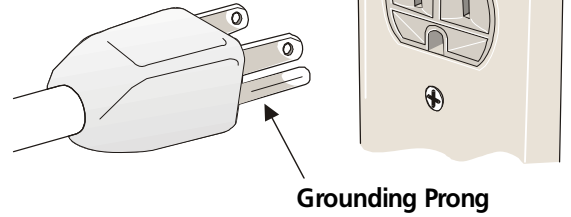
GAS Laundry Center

CIRCUIT - Individual 15 amp minimum branch circuit fused with a time delay fuse or circuit breaker.

POWER SUPPLY -3 wire, 120 volt single phase, 60 Hz, Alternating Current.

POWER SUPPLY CORD -The gas laundry center is equipped with a 120 volt 3-wire power cord.

NOTE: Do not under any circumstances remove grounding prong from plug.

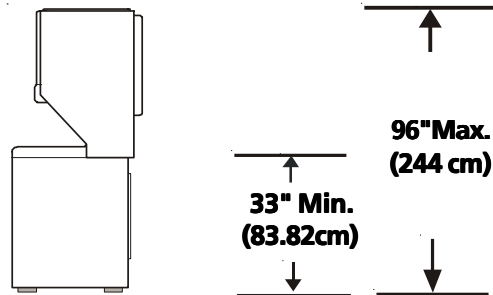


WATER SUPPLY REQUIREMENTS

Hot and cold water faucets **MUST** be installed within 42 inches (106.68 cm) of your laundry center's water inlet. The faucets **MUST** be 3/4 inch (1.9 cm) garden hose type so inlet hoses can be connected. Water pressure **MUST** be between 10 and 120 pounds per square inch (maximum unbalance pressure, hot vs. cold, 10 psi). Your water department can advise you of your water pressure.

DRAIN REQUIREMENTS

1. Drain capable of eliminating 17 gals. per minute.
2. A standpipe diameter of 1¼ inches (3.18 cm) minimum.
3. The standpipe height above the floor should be:
Minimum height: 33 inches (83.82 cm)
Maximum height: 96 inches (244 cm)



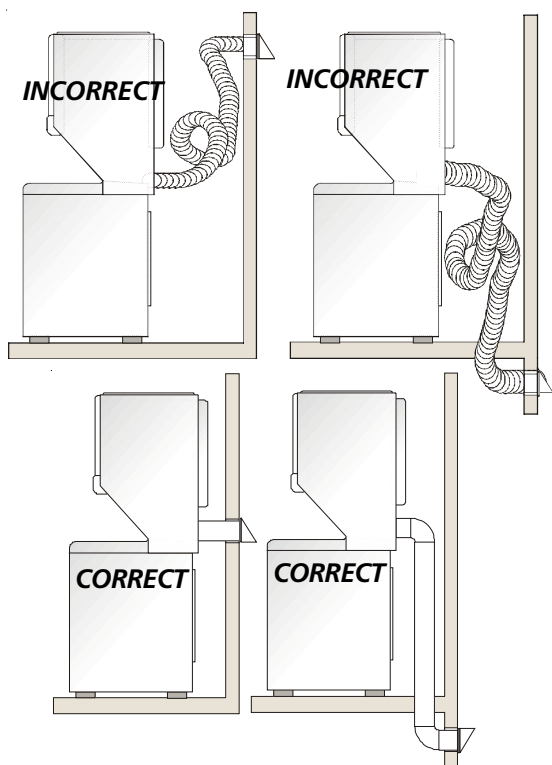
NOTE: For installations requiring a longer drain hose, have a qualified technician install a longer hose, PIN 134049201, available from an authorized parts distributor. For drain systems in the floor, install a siphon break kit, available from your local hardware store .

EXHAUST SYSTEM REQUIREMENTS

Use only 4 inch (10.2 cm) diameter (minimum) rigid or flexible **metal** duct and approved vent hood which has a swing-out damper(s) that open when the dryer is in operation. When the dryer stops, the dampers automatically close to prevent drafts and the entrance of insects and rodents. To avoid restricting the outlet, maintain a minimum of 12 inches (30.5 cm) clearance between the vent hood and the ground or any other obstruction.

WARNING *The following are specific requirements for proper and safe operation of your dryer. Failure to follow these instructions can create excessive drying times and fire hazards.*

WARNING *Do not install a clothes dryer with flexible plastic venting materials.* If your present system is made up of plastic duct or metal foil duct, **replace it** with a rigid or flexible metal duct. Flexible venting materials are known to collapse, be easily crushed and trap lint. These conditions will obstruct clothes dryer airflow and increase the **risk of fire**. **Ensure the present duct is free of any lint prior to installing dryer duct.**



CAUTION - **Risk of Fire** - **A clothes dryer must be exhausted outdoors.** Do not exhaust dryer into a chimney, a wall, a ceiling, an attic, a crawl space or any concealed space of a building. A clothes dryer produces combustible lint. If the dryer is not exhausted outdoors, some fine lint will be expelled into the laundry area. An accumulation of lint in any area of the home can create a health and fire hazard. **The dryer must be connected to an exhaust outdoors.** Regularly inspect the outdoor exhaust opening and remove any accumulation of lint around the outdoor exhaust opening and in the surrounding area.

WARNING *Do not allow combustible materials (for example: clothing, draperies/curtains, paper) to come in contact with exhaust system.* The dryer **MUST NOT** be exhausted into a chimney, a wall, a ceiling, or any concealed space of a building which can accumulate lint, resulting in a fire hazard.

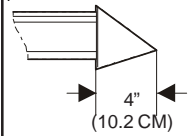
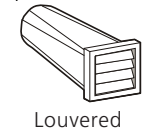
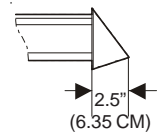
WARNING *Exceeding the length of duct pipe or number of elbows allowed in the "MAXIMUM LENGTH" charts can cause an accumulation of lint in the exhaust system. Plugging the system could create a fire hazard, as well as increase drying times.*

WARNING *Do not screen the exhaust ends of the vent system, nor use any screws, rivets or other fastening means that extend into the duct and catch lint to assemble the exhaust system.* Lint can become caught in the screen, on the screws or rivets, clogging the duct work and creating a fire hazard as well as increasing drying times. Use an approved vent hood to terminate the duct outdoors, and seal all joints with duct tape. All male duct pipe fittings **MUST** be installed downstream with the flow of air.

WARNING *Explosion hazard. Do not install the dryer where gasoline or other flammables are kept or stored.* If the dryer is installed in a garage, it must be a minimum of 18 inches (45.7 cm) above the floor. Failure to do so can result in death, explosion, fire or burns. The exhaust system back pressure **MUST** not exceed 0.6 inches (1.52 cm) of water column, measured with an inclined manometer at the point the exhaust connects to the dryer. The exhaust system should be inspected and cleaned a minimum of every **18 months** with normal usage. The more the dryer is used, the more often you should check the exhaust system and vent hood for proper operation.

The maximum length of the exhaust system depends upon the type of duct used, number of elbows and type of exhaust hood.

The maximum length for both rigid and flexible duct is shown in the chart below.

EXHAUST DUCT LENGTHS			
EXHAUST HOOD TYPE			
Number of 90° Turns	 4" (10.2 CM)	 Louvered	 2.5" (6.35 CM)
MAXIMUM LENGTH OF 4-INCH (10.2 CM) DIAMETER RIGID METAL DUCT			
0	56 ft. (17.07 m)		42 ft. (12.8 m)
1	46 ft. (14.02 m)		36 ft. (10.97 m)
2	34 ft. (10.36 m)		28 ft. (8.53 m)
3	32 ft. (9.75 m)		18 ft. (5.48 m)

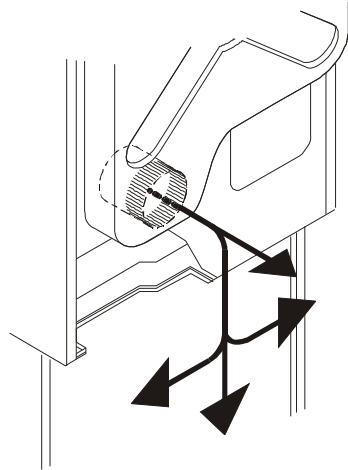
WARNING *Do not install flexible plastic or flexible foil venting material. If installing semi-rigid venting, do not exceed 8 ft. (2.4m) duct length.*

The laundry center may be exhausted four (4) ways with rear **flush** installation:

1. **Straight back**
2. **Down** (8 inch [20.32 cm] length of 4 inch [10.16 cm] rigid duct and 1 elbow down)
3. **Left** (8 inch [20.32 cm] length of 4 inch [10.16 cm] rigid duct, 1 elbow down and 1 elbow left)
4. **Right** (8 inch [20.32 cm] length of 4 inch [10.16 cm] rigid duct, 1 elbow down and 1 elbow right)

To exhaust up, add an 11 inch (27.94 cm) length of standard 4 inch (10.16 cm) diameter duct and a 90° elbow. The unit will be positioned about 4½ inches (11.43 cm) away from the wall (flush to wall exhausting may be done by going below the dryer then sideways).

An exhaust hood positioned to line up with the dryer exhaust can be installed directly through the outside wall. To exhaust to the side or down, add an 8 inch (20.32 cm) length of standard 4 inch (10.16 cm) diameter duct and a 90° elbow.



GAS SUPPLY REQUIREMENTS

1. Installation **MUST** conform with local codes, or in the absence of local codes, with the National Fuel Gas Code, ANSI Z223.1 (latest edition) or in Canada, the current AN/CGA B149.
2. The gas supply line should be of 1/2 inch (1.27 cm) pipe.
3. If codes allow, flexible metal tubing may be used to connect your dryer to the gas supply line. The tubing **MUST** be constructed of stainless steel or plastic-coated brass.
4. The gas supply line **MUST** have an individual shutoff valve.
5. A 1/8 inch (0.32 cm) N. P. T. plugged tapping, accessible for test gage connection, **MUST** be installed immediately upstream of the gas supply connection to the dryer.
6. The dryer and its individual shutoff valve **MUST** be disconnected from the gas supply piping system during any pressure testing of the gas supply piping system at test pressures equal to or less than 1/2 psig (3.45 kPa).
7. The dryer **MUST** be isolated from the gas supply piping system by closing its individual manual shutoff valve during any pressure testing of the gas supply piping system at test pressures equal to or less than 1/2 psig (3.45 kPa).

LOCATION OF YOUR LAUNDRY CENTER

DO NOT INSTALL YOUR LAUNDRY CENTER:

1. In an area exposed to dripping water or outside weather conditions.
2. In an area where it will come in contact with curtains or drapes.
3. On carpet. Floor **MUST** be solid with a maximum slope of 1 inch (2.54 cm).

INSTALLATION IN RECESS OR CLOSET

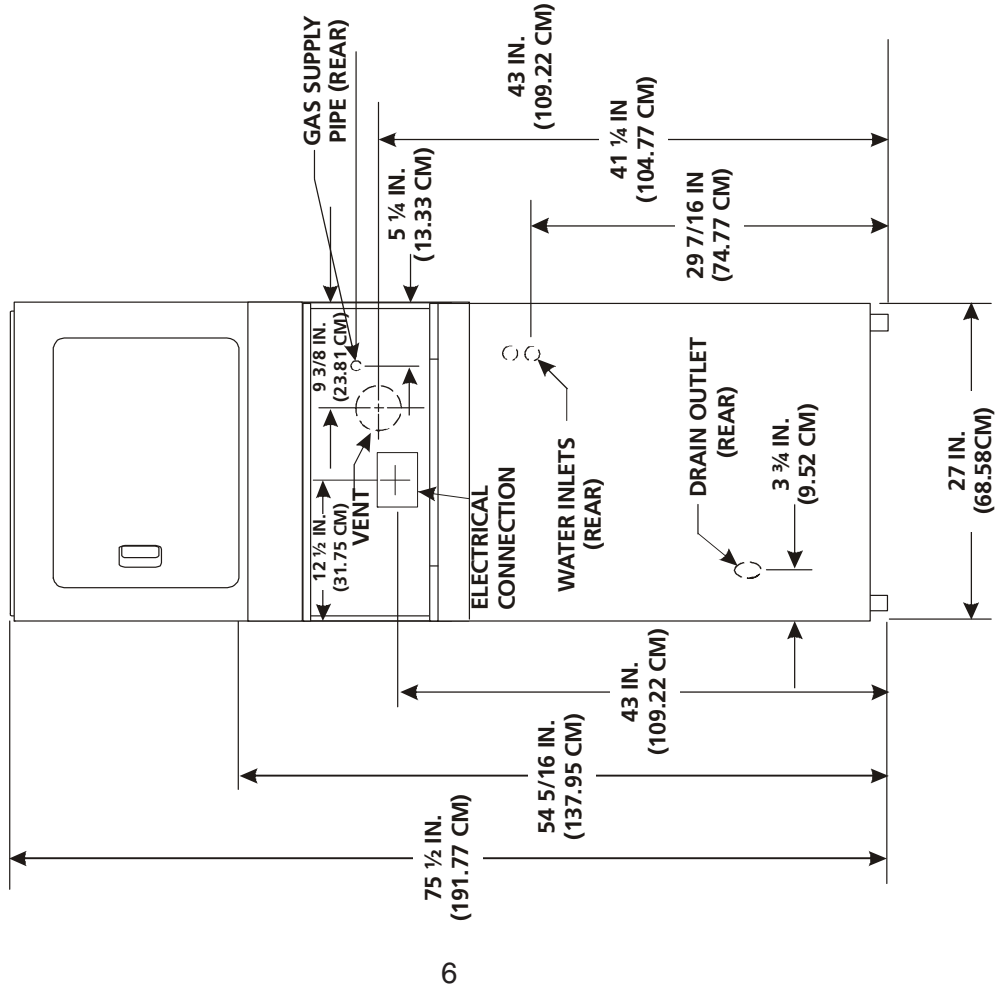
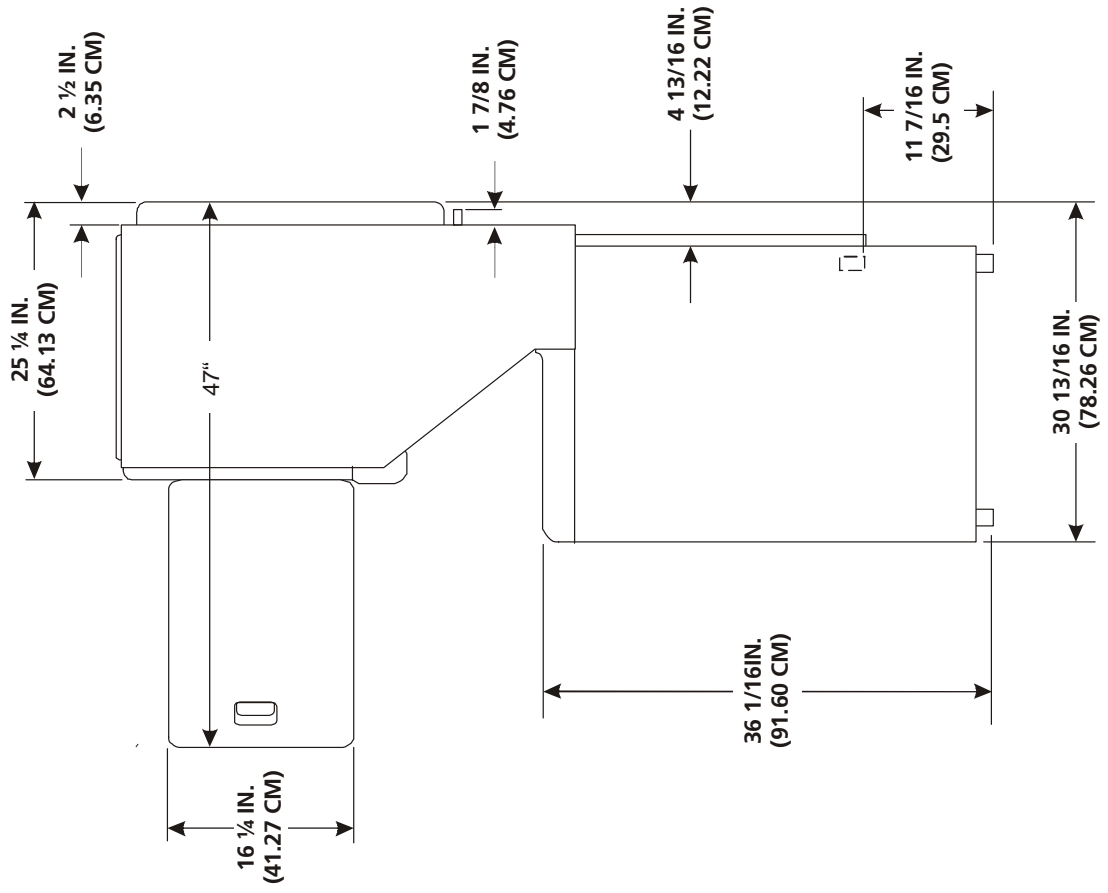
1. A laundry center installed in a bedroom, bathroom, recess or closet, **MUST** be exhausted outdoors.
2. No other fuel burning appliance shall be installed in the same closet as the **Gas** laundry center.
3. Your laundry center needs the space around it for proper ventilation.

DO NOT INSTALL YOUR LAUNDRY CENTER IN A CLOSET WITH A SOLID DOOR.

4. A minimum of 120 square inches (774.2 square cm) of opening, equally divided at the top and bottom of the door, is required. Air openings are required to be unobstructed when a door is installed. A louvered door with equivalent air openings for the full length of the door is acceptable.
5. The following illustrations show minimum clearance dimensions and air openings for proper operation in a recess or closet installation.



ROUGH-IN DIMENSIONS



MOBILE HOME INSTALLATION

1. Dryer **MUST** be exhausted outside (outdoors, not beneath the mobile home) using metal ducting that will not support combustion. Metal ducting must be 4 inches (10.16 cm) in diameter with no obstructions. Rigid metal duct is preferred.
2. If dryer is exhausted through the floor and area beneath the mobile home is enclosed, the exhaust system **MUST** terminate outside the enclosure with the termination securely fastened to the mobile home structure.
3. Refer to page 4 for other important venting requirements.
4. When installing a gas dryer into a mobile home, a provision must be made for outside make up air. This provision is to be not less than twice the area of the dryer exhaust outlet.
5. Installation **MUST** conform to current Manufactured Home Construction & Safety Standard (which is a Federal Regulation Title 24 CFR-Part 32-80) or when such standard is not applicable, with American National Standard for Mobile Homes. In Canada, the CSA Z240 is applicable.



⚠ WARNING The laundry center is designed under ANSI Z 21.5.1 for **HOME USE** only.

UNPACKING

1. Using the four shipping carton corner posts (two on each side), carefully lay the laundry center on its left side and remove foam shipping base.

⚠ CAUTION **Excessive weight. Use two or more people to move Laundry Center.**

2. Using a ratchet with 3/8 inch (0.96 cm) socket, remove the mechanism shipping bolt and plastic spacer block from the center of the base.

NOTE: If the laundry center is to be transported at a later date, the tub blocking pad, shipping bolt, and plastic spacer block should be retained.

3. Return laundry center to an upright position.
4. Remove:
 - (a) foam tub blocking pad.
 - (b) tape from dryer door.
 - (c) foam dryer support pads.
 - (d) inlet hoses.
 - (e) enclosure package.
5. From the back of the washer, remove the wire shipping clips securing the drain hose and power cord (if equipped). Plastic clamps secure the drain hose to the right side of the washer backsheet. These clamps form a standpipe to prevent water syphoning. **DO NOT REMOVE THESE CLAMPS.**
6. Carefully move the laundry center to within 4 feet (1.22 m) of the final location to begin the installation.



ELECTRICAL INSTALLATION

ALL ELECTRIC Laundry Centers

⚠ WARNING The following are specific requirements for proper and safe electrical installation of your laundry center. Failure to follow these instructions can create electrical shock and/or a fire hazard.

⚠ WARNING This appliance **MUST** be properly grounded. Electrical shock can result if the laundry center is not properly grounded. Follow the instructions in this manual for proper grounding.

⚠ WARNING Do not use an extension cord with this laundry center. Some extension cords are not designed to withstand the amounts of electrical current this laundry center utilizes and can melt, creating electrical shock and/or fire hazard. Locate the laundry center within reach of the receptacle for the length power cord to be purchased, allowing some slack in the cord. Refer to the pre-installation requirements in this manual for the proper power cord to be purchased.

⚠ WARNING A U.L. approved strain relief must be installed onto power cord. If the strain relief is not attached, the cord can be pulled out of the laundry center and can be cut by any movement of the cord, resulting in electrical shock.

⚠ WARNING Do not use an aluminum wired receptacle with a copper Wired power cord and plug (or vice versa). A chemical reaction occurs between copper and aluminum and can cause electrical shorts.

The proper wiring and receptacle is a copper wired power cord with a copper wired receptacle OR aluminum wired power cord with an aluminum wired receptacle.

NOTE: Laundry centers operating on a 208 volt power supply will have longer drying times than laundry centers operating on a 240 volt power supply.

GROUNDING REQUIREMENTS

Non-Canadian ELECTRIC Laundry Center

⚠ DANGER Improper connection of the equipment grounding conductor can result in a risk of electrical shock. Check with a licensed electrician if you are in doubt as to whether the appliance is properly grounded.

For a grounded, cord-connected laundry center:

1. The laundry center **MUST** be grounded. In the event of malfunction or breakdown, grounding will reduce the risk of electrical shock by a path of least resistance for electrical current.
2. If your laundry center is equipped with a power supply cord having an equipment-grounding conductor and a grounding plug, the plug **MUST** be plugged into an appropriate, copper wired receptacle that is properly installed and grounded in accordance with all local codes and ordinances. If in doubt, call a licensed electrician. **Do not modify plug provided with the appliance.**

For a permanently connected laundry center:

The laundry center **MUST** be connected to a grounded metal, permanent wiring system; or an equipment grounding conductor **MUST** be run with the circuit conductors and connected to the equipment-grounding terminal or lead on the appliance.

Canadian ELECTRIC Laundry Center

⚠ DANGER Improper connection of the equipment grounding conductor can result in a risk of electrical shock. Check with a licensed electrician if you are in doubt as to whether the appliance is properly grounded.

For a grounded cord connected laundry center:

1. The laundry center **MUST** be grounded. In the event of malfunction or breakdown, grounding will reduce the risk of electrical shock by providing a path of least resistance for the electrical current.
2. Since your laundry center is equipped with a power supply cord having an equipment-grounding conductor and a grounding plug, the plug **MUST** be plugged into an appropriate outlet that is properly installed and grounded in accordance with all codes and ordinances. If in doubt, call a licensed electrician.

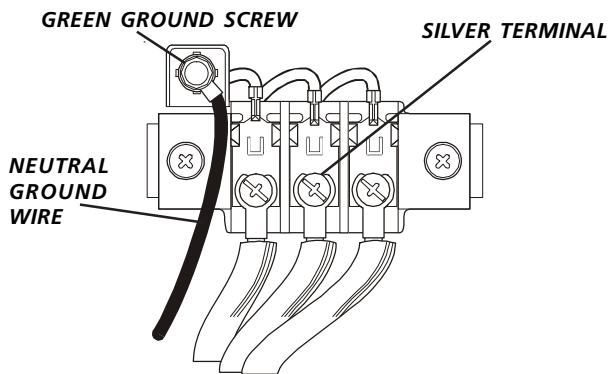
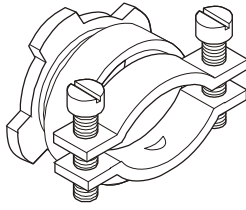
ALL GAS Laundry Centers

1. The laundry center is equipped with a three-prong (grounding) plug for your protection against shock hazard and should be plugged directly into a properly grounded three-prong receptacle. Do not cut or remove the grounding prong from the plug.

ELECTRICAL CONNECTIONS FOR A 3-WIRE SYSTEM

NON-CANADIAN ELECTRIC Laundry Center

1. Remove the screw securing the terminal block access cover to the rear panel and remove cover.
2. Install a U.L. approved strain relief connector in the entry hole on the back panel.
3. Insert a NEMA 10-30 Type SRDT, U.L. approved power cord through the strain relief.
4. Attach the power cord neutral (central wire) conductor to the silver colored center terminal on the terminal block. Tighten the screw securely.

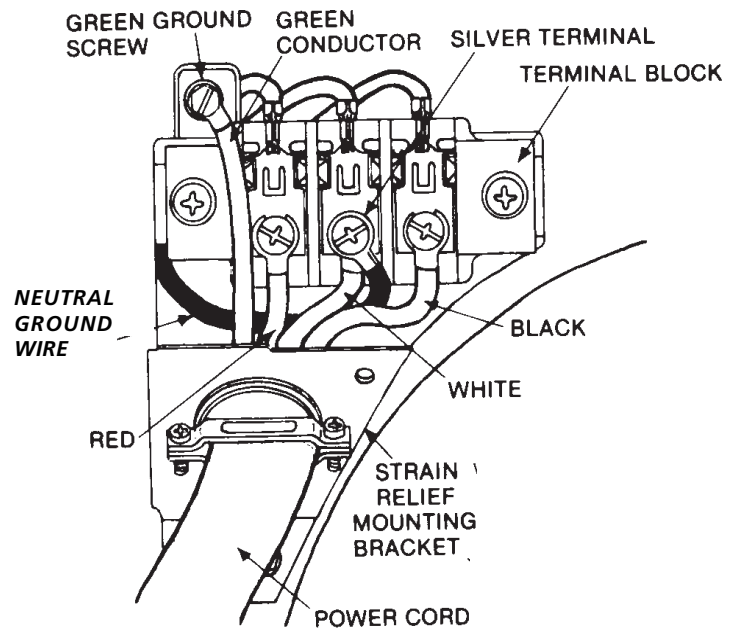
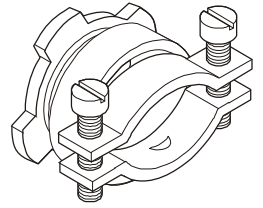


5. Attach the remaining two power cord outer conductors to the outer brass colored terminals on the terminal block. Tighten both screws securely.
6. Tighten the screws securing the cord restraint against the power cord.
7. Reinstall the terminal access cover.

ELECTRICAL CONNECTIONS FOR A 4-WIRE SYSTEM

NON-CANADIAN ELECTRIC Laundry Center

1. Remove the screw securing the terminal block access cover to the rear panel and remove cover.
2. Install a U.L. approved strain relief connector in the entry hole on the back panel.
3. Remove the neutral ground wire from the green ground screw located above the terminal block.



4. Insert a NEMA 14-30 Type ST or SRDT, U.L. approved power cord through the strain relief.
5. Attach the green power cord ground wire to the cabinet with the green ground screw.
6. Attach the white (neutral) wire from the power cord and the neutral ground wire from the appliance harness to the silver colored center terminal on the terminal block. Tighten the screw securely.
7. Attach the red and black wires from the power cord to the outer brass-colored terminals on the terminal block. Tighten both screws securely.
8. Tighten the screws securing the cord restraint firmly against the power cord.
9. Reinstall the terminal block access cover.

INSTALLATION

1. Run some water from the hot and cold faucets to flush the water lines and remove particles that might clog up the water valve screens.
2. Check inlet hoses to ensure the rubber washers are installed in each end.
3. Carefully connect the inlet hoses to the water valve (on the left side of the washer cabinet), tighten by hand, then tighten another 2/3 turn with pliers.

CAUTION DO NOT CROSS THREAD OR OVERTIGHTEN THESE CONNECTIONS.

4. Determine which water faucet is the **HOT** water faucet and carefully connect the bottom inlet hose to the **HOT** water faucet, tighten by hand, then tighten another 2/3 turn with pliers. Carefully connect the top inlet hose to the **COLD** water faucet, tighten by hand, then tighten another 2/3 turn with pliers.

CAUTION DO NOT CROSS THREAD OR OVERTIGHTEN THESE CONNECTIONS.

Turn the water on and check for leaks at both connections.

5. Carefully move the laundry center to its final location.
6. To ensure the laundry center is level and solid on all four legs, tilt the laundry center forward so the rear legs are off the ground. Gently set the laundry center back down to allow the rear legs to self adjust. Place a level on top of the washer. Check it side to side, then front to back. Screw the front leveling legs up or down to ensure the laundry center is resting solid on all four legs (no rocking of the laundry center should exist).

NOTE: Keep the leg extension at a minimum to prevent excessive vibration.

7. GAS CONNECTION (Gas laundry centers only)

- a. Remove the shipping cap from gas pipe at the rear of the dryer.

NOTE: DO NOT connect the laundry center to L.P. gas service without converting the gas valve. An L.P. conversion kit must be installed by a qualified gas technician.

- b. Connect a 1/2 inch (1.27 cm) I.D. semi-rigid or approved pipe from the gas supply line to the 3/8 inch (0.96 cm) pipe located on the back of the dryer. Use a 1/2 inch (1.27 cm) to 3/8 inch (0.96 cm) reducer for the connection. Apply an approved thread sealer that is resistant to the corrosive action of liquefied gases on all pipe connections.

- c. Open the shutoff valve in the gas supply line.
- d. Test all connections by brushing on a soapy water solution. **NEVER TEST FOR GAS LEAKS WITH AN OPEN FLAME.**

8. Form a "U" shape on the end of the drain hose with the hose pointed toward the drain. Place the formed end in a laundry tub or a standpipe and secure with a cable tie provided in the enclosure package.

WATER WILL SYPHON FROM THE WASHER IF THE ABOVE INSTRUCTIONS ARE NOT FOLLOWED.



9. Remove the two (2) screws securing the dryer front access panel to the dryer cabinet. Lift the panel until the tabs can be disengaged from the cabinet. Remove the panel and set aside.



REPLACEMENT PARTS

If replacement parts are needed for your laundry center, contact the source where you purchased your laundry center.

⚠ WARNING Destroy the carton, plastic bags, and metal band after the laundry center is unpacked. Children might use them for play. Cartons covered with rugs, bedspreads, or plastic sheets can become airtight chambers causing suffocation. Place all materials in a garbage container or make materials inaccessible to children.

⚠ CAUTION Label all wires prior to disconnection when servicing controls. Wiring errors can cause improper and dangerous operation. Verify proper operation after servicing.

⚠ WARNING The instructions in this manual and all other literature included with this laundry center are not meant to cover every possible condition and situation that may occur. Good safe practice and caution **MUST** be applied when installing, operating and maintaining any appliance.

Maximum benefits and enjoyment are achieved when all the Safety and Operating instructions are understood and practiced as a routine with your laundry tasks.

10. Connect the exhaust duct to outside duct work. Use duct tape to seal all joints.

11. Plug the power cord into a grounded outlet.

12. Reinstall the dryer front access panel.

NOTE: Check to ensure the power is off at a circuit breaker/fuse box before plugging the power cord into an outlet.

13. Turn on the power at a circuit breaker/fuse box.

⚠ CAUTION *Before operating the dryer, make sure the dryer area is clear and free from combustible materials, gasoline, and other flammable vapors. Also see that nothing (such as boxes, clothing, etc.) obstructs the flow of combustion and ventilation air.*

14. Run the washer and dryer through a cycle. Check for proper operation.

NOTE: *On gas dryers, before the burner will light, it is necessary for the gas line to be bled of air. If the burner does not light within 45 seconds the first time the dryer is turned on, the safety switch will shut the burner off. If this happens, turn the timer to "OFF" and wait 5 minutes before making another attempt to light.*

15. If your laundry center does not operate, please review the "Avoid Service Checklist" located in your Owner's Guide before calling for service.


16. Place these instructions in a location near the laundry center for future reference.

NOTE: A wiring diagram is located behind the dryer front access panel.

Mesures de sécurité importantes

Sachez reconnaître les symboles, les avertissements et les étiquettes de sécurité.

Les mesures de sécurité présentées dans ce guide sont identifiées par le mot AVERTISSEMENT ou ATTENTION selon le type de risque présenté ci-dessous.

 Ce symbole vous avertit à propos des situations pouvant causer des dommages matériels, des blessures graves ou même la mort.

ATTENTION Ce symbole vous avertit à propos des situations pouvant causer des dommages matériels ou des blessures.

AVERTISSEMENT Pour votre sécurité, l'information contenue dans ces instructions doit être suivie afin de réduire les risques d'incendie ou d'explosion ou pour prévenir les dommages matériels, les blessures ou la mort. Vous ne devez ni entreposer, ni utiliser d'essence ou d'autres vapeurs ou liquides inflammables à proximité de cet appareil ou de tout autre appareil électroménager.

Lisez toutes les instructions de sécurité suivantes avant d'installer et d'utiliser votre appareil :

- Détruisez le carton d'emballage et les sacs en plastique après avoir déballé l'appareil. Les enfants pourraient les utiliser pour jouer. Le carton recouvert de tapis, les couvertures et les feuilles de plastique peuvent être étanches à l'air et provoquer la suffocation. Déposez tous les matériaux d'emballage dans un conteneur à déchets ou faites en sorte que les enfants ne puissent y avoir accès.
- L'installation et l'entretien de cette sècheuse doivent être réalisés par un installateur qualifié, un technicien de service ou le fournisseur de gaz.
- Installez l'appareil conformément aux instructions du fabricant et aux codes locaux.
- L'installation électrique de la combine laveuse/sècheuse doit être conforme aux codes et aux règlements locaux ainsi qu'à la toute dernière édition du National Electrical Code (ANSI/NFPA 70), ou au Canada, au Code canadien de l'électricité (C22.1, article 1).
- L'installation de gaz de la combine laveuse/sècheuse doit être conforme aux codes et aux règlements locaux ainsi qu'à la toute dernière édition du Fuel Gas Code (ANSI Z223.1), ou au Canada, au CAN/ACG B149.1-2000.
- La sècheuse est classée, en vertu des règlements ANSI Z 21.5.1 ou ANSI/UL 2158 - CAN/CSA C22.2 N° 112 (dernières versions), pour un USAGE DOMESTIQUE uniquement. Il n'est pas recommandé d'utiliser cette sècheuse pour des usages commerciaux, comme des restaurants, des salons de coiffure, etc.
- Les instructions comprises dans ce guide et toute autre documentation fournie avec cet appareil ne sont pas conçues pour couvrir toutes les éventualités ou situations qui pourraient survenir. Vous DEVEZ faire preuve de bon sens et de prudence durant l'installation, l'utilisation et l'entretien de tout appareil ménager.

QUE FAIRE SI VOUS DÉTECTEZ UNE ODEUR DE GAZ :

- Ne mettez pas d'appareil en marche.
- Ne touchez à aucun commutateur électrique; n'utilisez aucun téléphone de votre domicile.
- Évacuez la pièce, le bâtiment ou la zone touchée.
- En utilisant le téléphone d'un voisin, appelez immédiatement le fournisseur de gaz. Suivez ses instructions.
- Si vous ne pouvez joindre votre fournisseur de gaz, appelez les pompiers.

Conservez ces instructions pour vous y reporter ultérieurement.

Exigences avant l'installation

Outils et matériel nécessaires à l'installation :

- Pince réglable
- Tournevis Phillips à pointe plate et à pointe carrée
- Clé à molette
- Clé à tuyau pour l'alimentation en gaz
- Ruban à filetage résistant au GPL (pour l'alimentation en gaz naturel ou en GPL)
- Niveau de charpentier
- Événement extérieur
- Conduit d'évacuation de 10,2 cm (4 po) en métal rigide ou semi-rigide
- Ensemble pour cordon d'alimentation de 240 V à 3 ou 4 fils (sècheuse électrique)
- Collier de 10,2 cm (4 po)
- Robinet d'arrêt pour conduite de gaz (sècheuse à gaz)
- Deux raccords-unions à évasement de 1/2 po (1,3 cm) NPT et une conduite flexible d'alimentation en gaz (sècheuse à gaz)
- Ruban métallique (et non du ruban à conduits)

INSTALLATION ÉLECTRIQUE

COMBINÉ LAVEUSE/SÉCHEUSE à ÉLECTRIQUES

CIRCUIT ÉLECTRIQUE - Circuit de dérivation distinct de 30 A avec fusibles à retardement ou disjoncteurs d'au 30 A.

Utilisez des circuits avec un disjoncteur ou fusible séparé pour les machines à laver et sécheuses, et NE PAS faire fonctionner une machine à laver et une sécheuse sur un même circuit.

ALIMENTATION ÉLECTRIQUE - 3 fils ou 4 fils, 240 volts, une phase, 60 Hz, courant alternatif. (Canada - 240 volts, une phase, 60 Hz, courant alternatif.)

CORDON D'ALIMENTATION ÉLECTRIQUE - 3 fils - la sécheuse **DOIT** être dotée d'un cordon d'alimentation électrique à 3 fils NEMA 10-30, c.a., 30 A, de type SRDT d'une capacité minimale de 240 volts, avec fiche en L à 3 broches à extrémités ouvertes, relevées ou fermées, **OU** d'un cordon d'alimentation électrique à 4 fils NEMA 14-30, c.a., 30 A, de type SRDT ou ST (selon le cas) d'une capacité minimale de 240 volts, avec 3 connecteurs à cosse ouverte recourbée vers le haut aux extrémités ou 3 connecteurs à cosse fermée, conçus pour le raccordement d'une sécheuse. Voir la section INSTALLATION ÉLECTRIQUE pour plus de détails.

4 fils - Elle **DOIT** être dotée d'un cordon d'alimentation à 4 fils NEMA 14-30, c.a., 30 A, de type SRDT ou ST (selon le cas) d'une capacité minimale de 240 volts, avec 4 connecteurs à cosse ouverte recourbée vers le haut aux extrémités ou 4 connecteurs à cosse fermée, conçus pour le branchement d'une sécheuse. Voir la section INSTALLATION ÉLECTRIQUE pour plus de détails.

AVERTISSEMENT – Risque de choc électrique. Un appareil mis à la terre à l'aide d'un lien ou câble conducteur neutre. La mise à la terre à l'aide d'un conducteur ou câble neutre est interdite dans les cas suivants : (1) les installations de nouveau circuit déviré (2) les maisons mobiles (3) les véhicules récréatifs ou caravanes et (4) les régions où les codes locaux interdisent la mise à la terre à l'aide d'un câble ou conducteur neutre. (1) Débranchez le conducteur ou câble du neutre, (2) utilisez la borne de mise à la terre ou le câble de mise à la terre de l'appareil conformément aux codes locaux et (3) connectez ou branchez la borne neutre ou le câble au neutre du circuit déviré de la manière habituelle (si l'appareil doit être connecté à l'aide d'un cordon, utilisez un cordon à 4 câbles ou fils pour ce faire). **N'UTILISEZ QUE DES CÂBLES OU FILS EN CUIVRE.**

PRISE - Prise NEMA 10-30R (3 alvéoles) ou prise NEMA 14-30R (4 alvéoles) placée de façon que le cordon d'alimentation électrique soit accessible une fois la sécheuse en place.



NEMA 10-30R



NEMA 14-30R

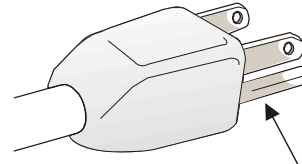
COMBINÉ LAVEUSE/SÉCHEUSE à GAZ

CIRCUIT - Dérivation distincte de 15 A minimum avec fusible à retardement ou disjoncteur.

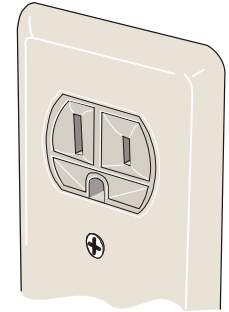
ALIMENTATION ÉLECTRIQUE - 3 fils, 120 volts, une phase, 60 Hz, courant alternatif.

CORDON D'ALIMENTATION - Le combiné laveuse/sécheuse à gaz est d'un cordon d'alimentation électrique à 3 fils de 120 volts.

REMARQUE : Il ne faut en aucun cas retirer la broche de mise à la terre de la fiche.



BROCHE DE MISE À LA TERRE

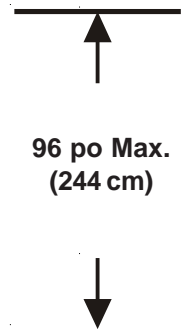
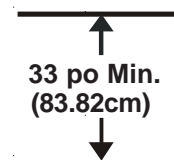
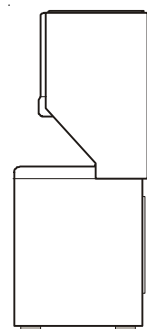


EXIGENCES D'ALIMENTATION EN EAU

Les robinets d'eau chaude et d'eau froide **DOIVENT** être installés à moins de 42 pouces (106,68 cm) de l'arrivée d'eau du combiné. Les robinets **DOIVENT** être du type pour boyau de jardin de 3/4 pouce (1,9 cm), de manière à pouvoir raccorder les boyaux d'arrivée d'eau. La pression d'eau **DOIT** se situer entre 10 et 120 livres par pouce carré (déséquilibre de pression maximale, eau chaude vs eau froide, 10 psi). Le service d'aqueduc peut vous informer sur la pression d'eau.

EXIGENCES DE VIDANGE

1. Le circuit de vidange doit permettre d'évacuer 17 gallons à la minute.
2. Le diamètre du tuyau de vidange doit être d'un minimum de 1 - 1/4 po (3,18 cm).
3. La hauteur hors sol du tuyau de vidange doit être :
Minimale: 33 po (83,82 cm)
Maximale: 96 po (244 cm)



NOTA: Si l'installation nécessite un tuyau de vidange plus long, demandez à un technicien qualifié d'installer un boyau de vidange plus long, P/N 131461201, disponible chez un distributeur autorisé de pièces. Pour les circuits de vidange au sol, installez un ensemble de siphon, se procurer auprès d'une quincaillerie locale.

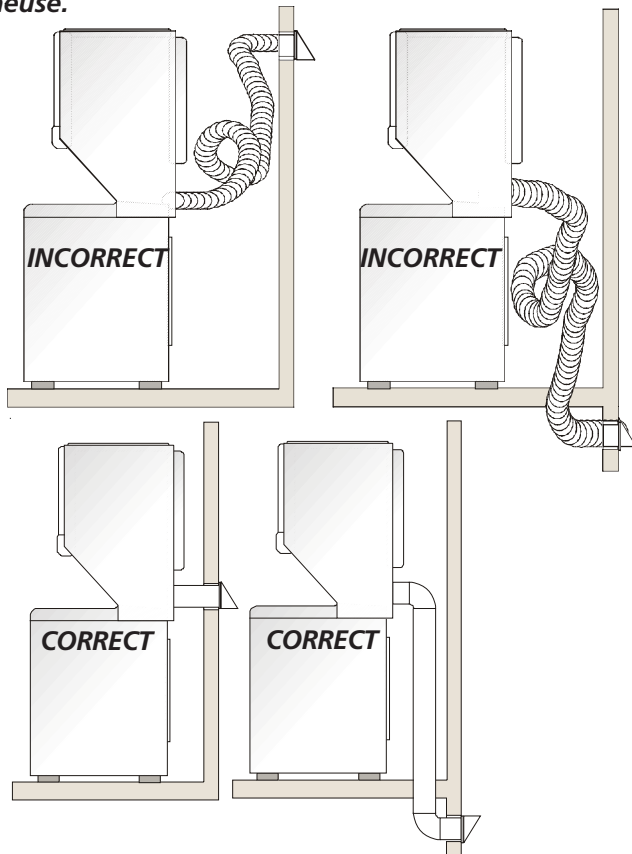
ÉVACUATION DE L'AIR

Utiliser uniquement une conduite en métal rigide ou flexible de 10,2 cm (4 po) de diamètre (minimum) ainsi qu'une grille de sortie approuvée pourvue de clapets qui s'ouvrent lorsque la sècheuse fonctionne. Quand la sècheuse s'arrête, les clapets se ferment automatiquement pour éviter les courants d'air et l'entrée d'insectes ou de rongeurs. Afin de ne pas obstruer l'évacuation de l'air, laissez une distance minimum de 30,5 cm (12 po) entre la grille de sortie et le sol ou tout autre obstacle.

⚠ AVERTISSEMENT *Les mises en garde qui suivent se rapportent directement au fonctionnement correct et sécuritaire de la sècheuse. Toute dérogation à ces mises en garde pourrait ralentir le séchage et entraîner des risques d'incendie.*

⚠ *N'installez pas la Sècheuse avec des matériels de ventilation en matières plastiques flexibles.*

Si la conduite existante est en plastique ou en papier métallique, la remplacer par une conduite en métal rigide ou flexible. Les matériaux de ventilation flexibles peuvent s'abîmer facilement et recueillir du duvet. Ces conditions obstrueront la circulation d'air de la Sècheuse de vêtements et augmenteront le **risque d'incendie**. S'assurer qu'il n'y a pas de charpie dans la conduite existante avant d'installer la conduite de la sècheuse.



⚠ – Risque d'incendie – une Sècheuse de vêtement doit être aérée à l'air libre. N'aérez pas la Sècheuse dans une cheminée, une paroi, un plafond, un espace fermé ou aucun espace caché du bâtiment. Une sècheuse à linge produit de la charpie combustible. Si l'air n'était pas repoussé à l'extérieur de la maison, de petites particules de charpie se retrouveraient dans la pièce où est installée la sècheuse. Toute accumulation de charpie dans la maison peut présenter des risques pour la santé et des risques d'incendie.

La sècheuse doit être connectée à une bouche d'évacuation vers l'extérieur du bâtiment ou de l'immeuble. Vous devez inspecter régulièrement l'évent extérieur et enlever toute accumulation de charpie autour de l'évent et dans la cavité du conduit d'évacuation.

⚠ Ne laisser aucun matériau inflammable (comme des vêtements, des tentures, des rideaux ou du papier) entrer en contact avec les conduits d'évacuation.

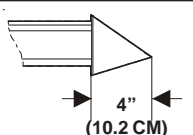
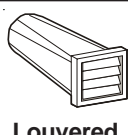
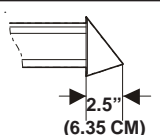
⚠ Augmenter la longueur du conduit rigide ou le nombre de coudes permis au tableau «LONGUEUR MAXIMUM» risque de réduire la capacité d'évacuation du circuit. Obturer le circuit peut créer un risque d'incendie et augmenter le temps de séchage.

⚠ N'obstruez pas les extrémités du tube de ventilation, ni utilisez des vis, rivets ou autres moyens de fixation qui peuvent obstruer le conduit et recueillir du duvet. L'engorgement subséquent risquerait de ralentir le temps de séchage, voire de causer un incendie. Installer une bouche d'évacuation approuvée à l'extérieur et sceller tous les joints à l'aide d'un ruban adhésif à conduits. Tous les raccords de conduit mâles **DOIVENT** être installés dans le sens de la circulation d'air.

⚠ AVERTISSEMENT Risques d'explosion. Ne pas installer la sècheuse à un endroit où l'on garde de la gazoline ou tout autre produit inflammable. Si la sècheuse est installée dans un garage, elle doit être à un minimum de 45,7 cm (18 po) au-dessus du plancher. Toute dérogation pourrait provoquer la mort, l'explosion, l'incendie ou les brûlures.

1. La contre-pression du circuit d'évacuation ne **DOIT** pas excéder 0.6 ponces (1,52 cm) de colonne d'eau, mesurée avec un manomètre à tube incliné au point où le conduit d'évacuation est connecté sècheuse.
2. Il faut vérifier et nettoyer le circuit d'évacuation au moins tous les deux ans dans des conditions d'utilisation normale. Plus la sècheuse est utilisée fréquemment, plus le circuit et le registre d'évacuation doivent être vérifiés pour assurer un bon.

La longueur maximum du système d'évacuation dépend du type de conduit utilisé, du nombre de coudes et du type de registre d'évacuation. La longueur maximum de conduits rigides et flexibles est indiquée dans le tableau suivant:

	TYPE DE BOUCHE D'ÉVACUATION		
	TYPE DE RESTRE D'ÉVACUATION		
Number of 90° Turns	 4" (10.2 CM)	 Louvered	 2.5" (6.35 CM)
LONGUEURS MAXIMUM d'un conduite en métal rigide de 10,2 cm (4 po) de diam.			
0	56 ft. (17.07 m)	42 ft. (12.8 m)	
1	46 ft. (14.02 m)	36 ft. (10.97 m)	
2	34 ft. (10.36 m)	28 ft. (8.53 m)	
3	32 ft. (9.75 m)	18 ft. (5.48 m)	

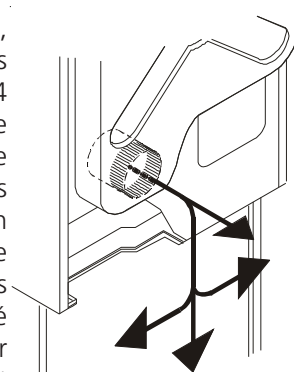
N'installez pas de matériel de ventilation en plastique ou en aluminium flexible. Si vous installez du matériel de ventilation semi-rigide, il est nécessaire que la longueur du conduit soit égale ou inférieure à 2,4 m (8 pi).

L'évacuation du combiné laveuse/sécheuse par un circuit d'évacuation arrière peut se faire de quatre (4) façons:

1. **En ligne droite.**
2. **Vers le bas** (8 pouces (20,32 cm) de longueur pour un conduit de 4 pouces (10,16 cm) rigide & 1 coude vers le bas).
3. **A gauche** (8 pouces (20,32 cm) de longueur pour un conduit de 4 pouces (10,16 cm) rigide, 1 coude vers le bas & 1 coude à gauche).
4. **A droite** (8 pouces (20,32 cm) de longueur pour un conduit de 4 pouces (10,16 cm) rigide, 1 coude vers les bas & 1 coude à droite).

Pour une évacuation vers le haut, ajoutez une longueur de 11 pouces (27,94 cm) de conduit standard de 4 pouces (10,16 cm) et un coude de 90°. L'appareil se situera à une distance d'environ 4-1/2 pouces (11,43 cm) du mur (une évacuation sans dégagement au mur peut se faire en passant sous la sécheuse puis sur les côtés). Un registre d'évacuation aligné directement avec la sortie d'évacuation de la sécheuse peut être installé directement dans le mur extérieur.

Pour une évacuation vers le haut, ajoutez une longueur de 11 pouces (27,94 cm) de conduit standard de 4 pouces (10,16 cm) et un coude de 90°. L'appareil se situera à une distance d'environ 4-1/2 pouces (11,43 cm) du mur (une évacuation sans dégagement au mur peut se faire en passant sous la sécheuse puis sur les côtés). Pour évacuer sur le côté ou vers le bas, ajoutez une longueur de 8 pouces (20,32 cm) de conduit standard de 4 pouces (10,16 cm) et un coude de 90°.



ALIMENTATION EN GAZ

⚠ AVERTISSEMENT Remplacer le tuyau de raccordement en cuivre non recouvert de plastique. Il FAUT utiliser du laiton inoxydable ou recouvert de plastique.

1. L'installation **DOIT** respecter les codes locaux, ou s'il n'existe pas de codes locaux, le code ANSI Z223.1 (l'édition la plus récente) ou au Canada, le Code actuel CAN/CGA B149.
2. La conduite d'alimentation en gaz doit mesurer 1,27 cm (1/2 po).
3. Si les codes le permettent, un tuyau en métal flexible peut être utilisé pour connecter la sécheuse à l'alimentation en gaz. Le tuyau **DOIT** être fabriqué en acier inoxydable ou en cuivre avec un revêtement de plastique.
4. La conduite d'alimentation en gaz **DOIT** comporter un robinet d'arrêt distinct.
5. Une prise de 0,32 cm (1/8 po) NPT accessible pour le branchement d'un manomètre **DOIT** être installée tout juste en amont du branchement de la conduite d'alimentation en gaz sur la sécheuse.
6. La sécheuse **DOIT** être débranchée de la canalisation de gaz pendant toute vérification de pression de l'alimentation en gaz à des pressions qui dépassent 3,45 kPa (1/2 lb/po²).
7. La sécheuse **DOIT** être isolée de la canalisation de gaz pendant toute vérification de pression de l'alimentation en gaz à des pressions égales ou inférieures à 3,45 kPa (1/2 lb/po²).

EMPLACEMENT DU COMBINÉ LAVEUSE/SÉCHEUSE

NE PAS INSTALLER COMBINÉ LAVEUSE/SÉCHEUSE :

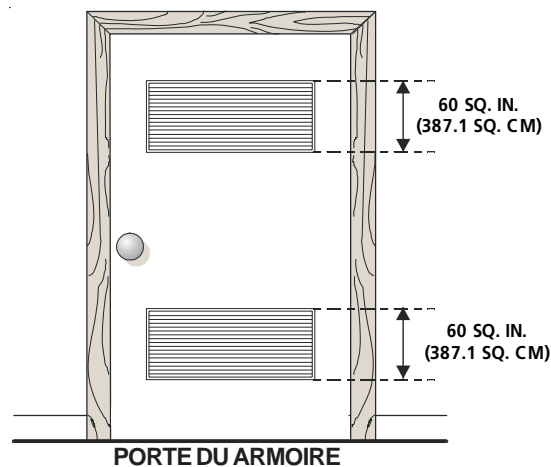
1. Dans un endroit exposé à un écoulement d'eau ou aux conditions atmosphériques.
2. Dans un endroit où elle serait en contact avec des rideaux, draperies ou tout ce qui obstruera le flux d'air de combustion et de ventilation.
3. Sur un tapis. Le plancher **DOIT** être ferme et présenter une pente de 2,54 cm (1 po) au maximum.

INSTALLATION DANS UNE ALCÔVE OU UN PLACARD

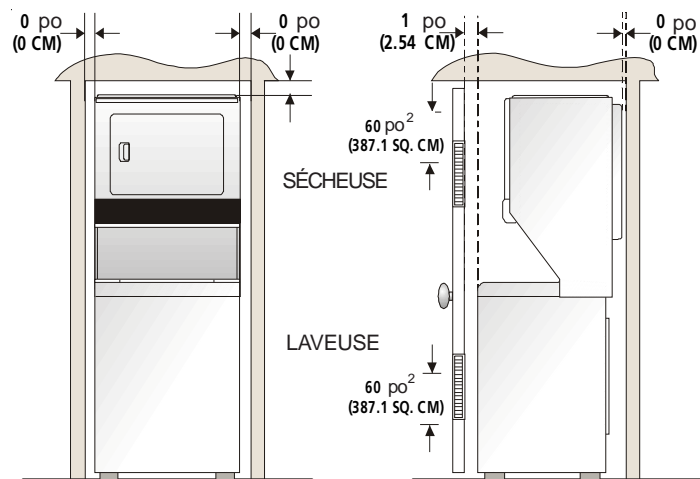
1. Toute sécheuse installée dans une chambre à coucher, une salle de bain, une alcôve ou un placard **DOIT** être reliée à une conduite d'évacuation d'air se terminant à l'extérieur de la maison.
2. Aucun autre appareil brûlant du combustible ne doit être installé dans le même placard que la sécheuse au Gaz.
3. La sécheuse a besoin d'un dégagement suffisant pour permettre la circulation de l'air.

NE PAS INSTALLER LA SÉCHEUSE DANS UN PLACARD POUR VU D'UNE PORTE PLEINE.

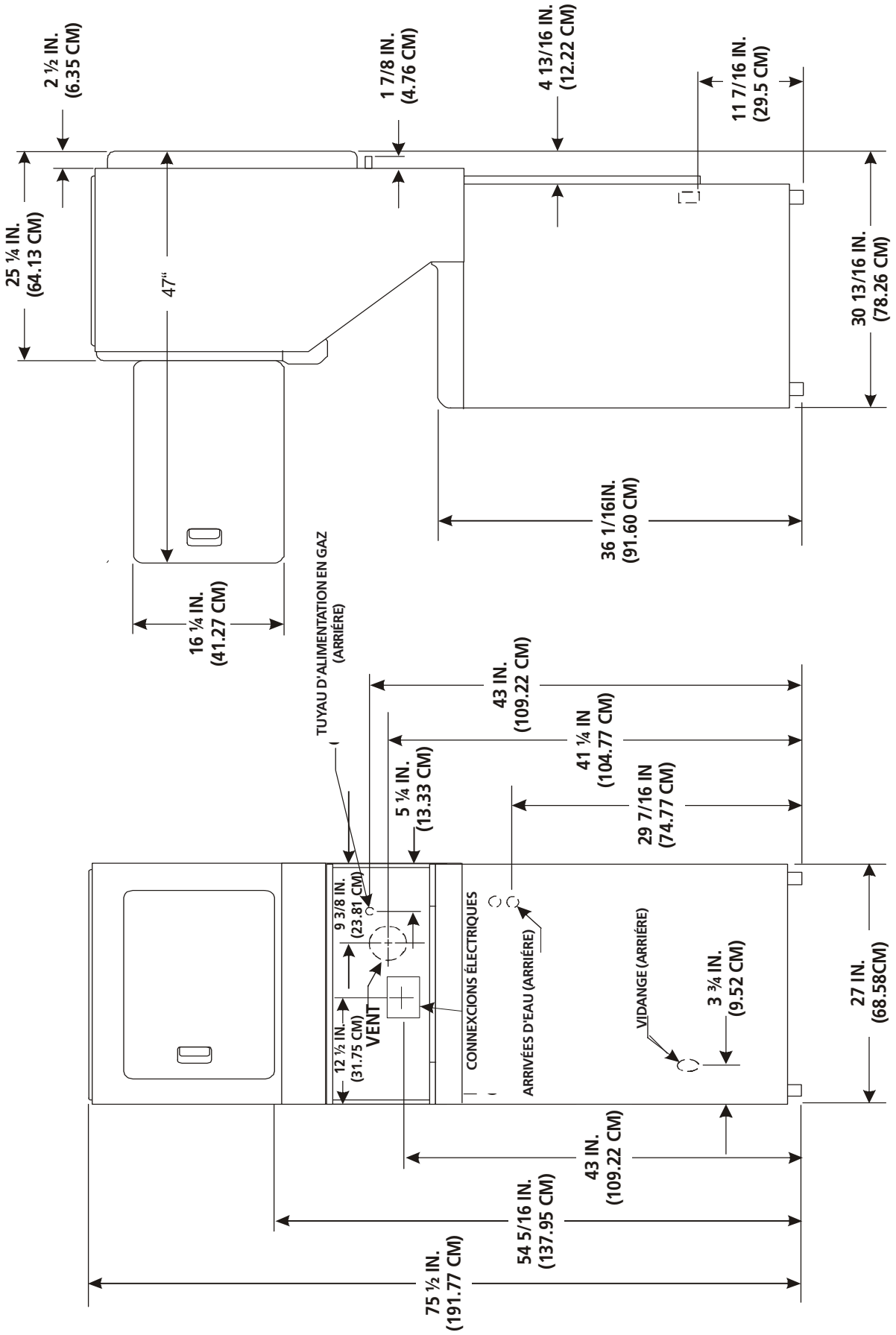
4. Une ouverture minimum de 774,2 cm² (120 po²) répartie également entre le haut et le bas de la porte est requise. Cette ouverture ne doit pas être obstruée lorsque la porte est en place. Une porte à volets dont les ouvertures totalisent la norme décrite ci-dessus est acceptable.
5. Les illustrations qui suivent indiquent la dimension minimum de dégagement pour un fonctionnement adéquat dans une niche ou une armoire.



PORTE DU ARMOIRE



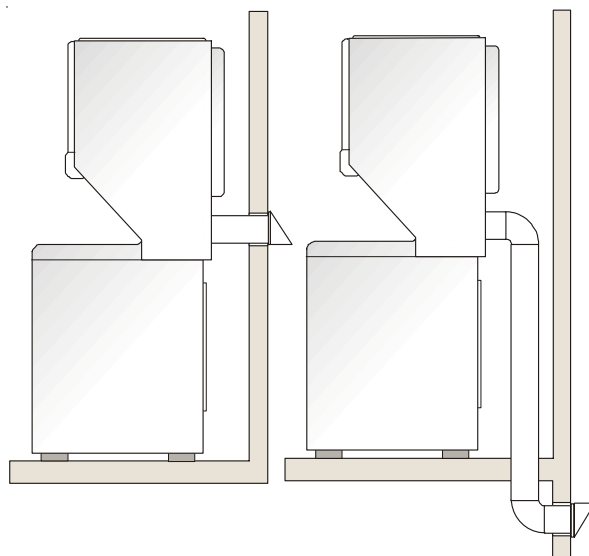
Dimensions de l'emplacement



INSTALLATION DANS UNE MAISON MOBILE

1. L'évacuation de la sécheuse **DOIT** se faire à l'extérieur (à l'extérieur et non pas au-dessous de la maison mobile) à l'aide de conduit en métal inflammable. Les conduits en métal doivent avoir 4 pouces (10,16 cm) de diamètre sans obstructions. Les conduits en métal rigide sont préférables.
2. Si l'évacuation de la sécheuse se fait à travers le plancher et que l'espace sous la maison mobile est fermé, le circuit d'évacuation **DOIT** se terminer en dehors de l'espace fermé, et la sortie bien fixée à la structure de la maison mobile.
3. Référez-vous à la page 3 pour de plus amples informations sur les exigences de ventilation.
4. Lors de l'installation d'une sécheuse à gaz dans une maison mobile, il faut prévoir un apport d'air extérieur. L'espace à prévoir doit être supérieur à deux fois celui du conduit d'évacuation de la sécheuse.
5. L'installation **DOIT** respecter les normes de la Manufactured Home Construction and Safety, (règlement fédéral titre 24CFR, partie 32-80), ou en leur absence, les normes de la American National Standard pour maisons mobiles. Lorsque l'installation se fait au Canada, elle doit se conformer à la norme ACNO RZ240.

⚠ AVERTISSEMENT Le combiné est conçu conformément à la norme ANSI Z 21.5.1 pour un **USAGE DOMESTIQUE** seulement.



DÉBALLAGE

1. A l'aide des quatre encoignures d'expédition (deux de chaque côté) posez avec attention le combiné sur le côté gauche et enlevez la base de caoutchouc mousse.

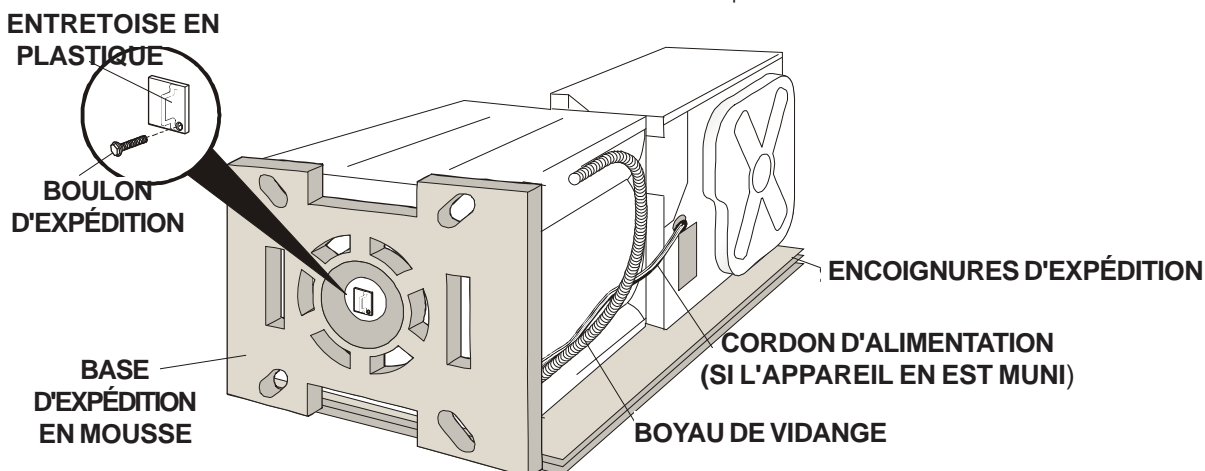
⚠ ATTENTION Poids excessif. Faites déplacer le Centre de buanderie par deux personnes ou plus.

2. A l'aide de la clé et de la douille de 3/8 po. (0,96 cm) enlevez le boulon d'expédition et l'entretoise en plastique du centre de la base.

NOTA: Si le combiné laveuse/sécheuse doit être transporté ultérieurement, il faut conserver le coussin de blocage de la cuve, le boulon d'expédition et l'entretoise en plastique.

3. Remplacez le combiné laveuse/sécheuse à la verticale.

4. Enlevez:
 - (a) le coussin de blocage en mousse de la cuve.
 - (b) le ruban adhésif de la porte de la sécheuse.
 - (c) les supports en mousse de la sécheuse.
 - (d) les tuyaux d'arrivée d'eau.
 - (e) l'emballage.
5. A l'arrière du combiné, retirez les attaches métalliques d'expédition du boyau de vidange et du cordon d'alimentation (si l'appareil en est muni). Des attaches en plastique fixent le boyau de vidange au côté droit du combiné. Ces attaches forment une conduite verticale empêchant l'effet de siphon.
N'ENLEVEZ PAS CES ATTACHES.
6. Avant d'entreprendre l'installation, déplacez précautionneusement le combiné à environ 4 pieds (1,22 m) de son emplacement final.



INSTALLATION ÉLECTRIQUE

TOUS combinées laveuse/sécheuses ÉLECTRIQUES

⚠️ AVERTISSEMENT *Les mises en garde qui suivent se rapportent directement au branchement électrique correct et sécuritaire de la sécheuse. Toute dérogation à ces mises en garde pourrait entraîner des risques choc électrique et d'incendie.*

⚠️ Cet appareil **DOIT** être convenablement mis à la terre. Si le combiné présenterait des risques choc électrique si elle n'était pas convenablement mise à la terre. Respecter les directives de mise à la terre contenues dans cette notice pour une mise à la terre correcte.

⚠️ Ne pas utiliser de cordon de rallonge avec ce combiné. Certains cordons de rallonge ne sont pas conçus pour supporter l'intensité du courant qu'utilise cette combiné; ils peuvent fondre et présenter un risque choc électrique ou d'incendie. Placer la sécheuse à portée de la prise murale afin de déterminer la longueur du cordon à acheter et prévoir un certain jeu dans la longueur du cordon. Se reporter à la section «Avant l'installation» de cette notice pour savoir quel type de cordon acheter.

⚠️ Un détendeur approuvé par U.L. doit être fixé au cordon d'alimentation. Si le détendeur n'était pas présent, le cordon pourrait être arraché de la combiné ou coupé par tout type de mouvement, ce qui présenterait un risque choc électrique.

⚠️ Ne pas utiliser une prise à conducteurs en aluminium avec un cordon ou une prise à conducteurs en cuivre (ni l'inverse). Une réaction chimique se produit entre le cuivre et l'aluminium qui pourrait causer un court-circuit. **Il faut utiliser un cordon d'alimentation à conducteurs en cuivre avec une prise à conducteurs en cuivre.**

REMARQUE : *Le délai séchage d'un combiné laveuse/sécheuse qui fonctionnent avec une alimentation de 208 volts auront un temps de séchage plus long que celles qui utilisent une alimentation de 240 volts.*

MISE À LA TERRE

Sécheuses ÉLECTRIQUES non-Canadiennes

⚠️ DANGER Le branchement inadéquat du conducteur de mise à la terre pourrait présenter un risque choc électrique. En cas de doute quant à la mise à la terre adéquate de l'appareil, contacter un électricien agréé.

Pour brancher et mettre à la terre la sécheuse à l'aide d'un cordon d'alimentation :

1. Le combiné **DOIT** être mis à la terre. En cas de mauvais fonctionnement ou de panne, la mise à la terre réduit les risques choc électrique en offrant un parcours de moindre résistance au courant.
2. Si le combiné est pourvue d'un cordon d'alimentation électrique comportant un conducteur et une fiche de terre, la fiche **DOIT** être branchée dans une prise murale à conducteur en cuivre convenablement raccordée au réseau et mise à la terre conformément à tous les codes et ordonnances locaux. En cas de doute, contacter un électricien agréé. **Ne modifiez pas la prise équipée d'appareil.**

Pour brancher la sécheuse en permanence :

La combiné **DOIT** être branchée à une installation métallique mise à la terre en permanence; sinon, un conducteur de mise à la terre de l'appareil doit suivre les conducteurs du circuit et être branché à la borne ou à la connexion de mise à la terre de l'appareil.

Combiné laveuse/sécheuses ÉLECTRIQUES Canadiennes

⚠️ DANGER Le branchement inadéquat du conducteur de mise à la terre pourrait présenter un risque choc électrique. En cas de doute quant à la mise à la terre adéquate de l'appareil, contacter un électricien agréé.

Pour brancher et mettre à la terre la sécheuse à l'aide d'un cordon d'alimentation :

1. La sécheuse doit être mise à la terre. En cas de mauvais fonctionnement ou de panne, la mise à la terre réduit les risques choc électrique en offrant un parcours de moindre résistance au courant.
2. Puisque la sécheuse est pourvue d'un cordon d'alimentation électrique comportant un conducteur et une fiche de terre, la fiche doit être branchée dans une prise murale à conducteur en cuivre convenablement raccordée au réseau et mise à la terre conformément à tous les codes et ordonnances locaux. En cas de doute, contacter un électricien agréé.

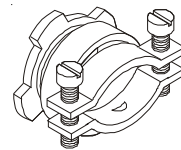
TOUS combinés laveuse/sécheuses à GAZ

Pour votre protection contre les chocs électriques, la sécheuse est équipée d'une fiche à trois bornes (mise à la terre) et doit être branchée directement dans une prise à 3 bornes correctement mise à la terre. Ne pas couper ni enlever la fiche de mise à la terre de cette prise.

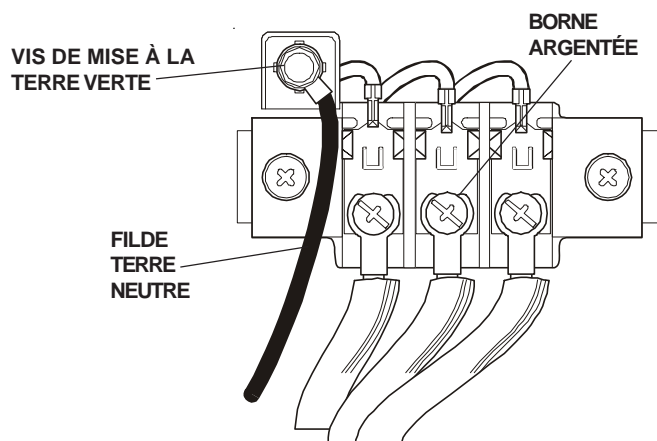
BRANCHEMENT ÉLECTRIQUE D'UNE INSTALLATION À 3 FILS

Non-Canadien Combiné laveuse/sécheuses ÉLECTRIQUES

1. Retirer les vis qui retiennent le couvercle du panneau de branchement ainsi que le support de montage du détendeur situés dans le coin supérieur à l'arrière de la sécheuse.
2. Poser un détendeur approuvé par U.L. dans le trou du support où s'insère le cordon d'alimentation. Serrer simplement l'écrou à la main pour le moment.
3. Enfiler un cordon d'alimentation NEMA 10-30 approuvé par U.L. de 30 A de type SRDT dans le détendeur.



- Fixer le conducteur neutre (conducteur central) du cordon d'alimentation à la borne centrale argentée du panneau de branchement. Serrer la vis à fond.

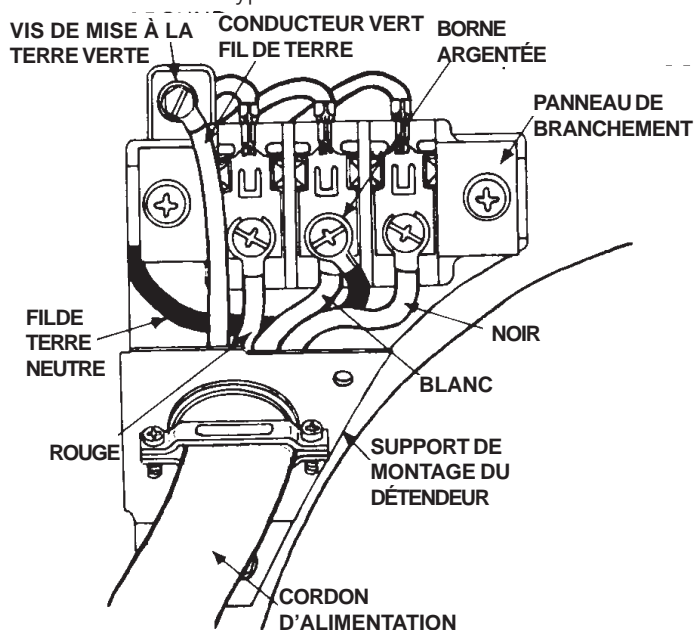
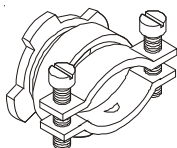


- Fixer les deux conducteurs restants du cordon d'alimentation aux bornes cuivrées extérieures du panneau de branchement. Serrer les deux vis à fond.
- Serrer à fond les vis qui retiennent le dispositif de retenue du cordon autour du cordon d'alimentation.
- Réattacher le couvercle du panneau de branchement.

BRANCHEMENT ÉLECTRIQUE D'UNE INSTALLATION À 4 FILS

Non-Canadien Combinés laveuse/sécheuses **ÉLECTRIQUES**

- Retirer les vis qui retiennent le couvercle du panneau de branchement ainsi que le support de montage du détendeur situés dans le coin supérieur à l'arrière de la sécheuse.
- Poser un détendeur approuvé par U.L. dans le trou du support. Serrer simplement l'écrou à la main pour le moment.
- Retirer le fil de terre de la vis de mise à la terre verte neutre située au-dessus du panneau de branchement.
- Enfiler un cordon d'alimentation NEMA 10-30 approuvé par U.L. de 30 A de type SRDT dans le détendeur.



- Fixer le fil de terre vert du cordon d'alimentation au boîtier de la sécheuse à l'aide de la vis de mise à la terre verte.
- Fixer le conducteur blanc (neutre) du cordon d'alimentation ainsi que le fil de terre neutre du boîtier de la sécheuse à la borne centrale argentée du bloc de branchement.
- Fixer les conducteurs rouge et noir du cordon d'alimentation aux bornes cuivrées extérieures du panneau de branchement.
- Serrer à fond les vis qui retiennent le dispositif de retenue du cordon autour du cordon d'alimentation.
- Réattacher le couvercle du panneau de branchement.

INSTALLATION

- Faites couler de l'eau dans les robinets d'eau chaude et froide pour purger les conduites d'eau et les débarrasser des particules pouvant obstruer le tamis du robinet d'eau.
- Vérifiez les boyaux d'arrivée d'eau pour assurer que les rondelles en caoutchouc sont installées à chaque extrémité.
- Connectez soigneusement les boyaux d'arrivée au robinet d'eau (à gauche de l'appareil), serrez à la main, puis serrez 2/3 de pinces.

⚠ ATTENTION IL NE FAUT PAS FAUSSER LE FILETAGE OU TROP SERRER CES RACCORDEMENTS.

- Déplacez quel est le robinet d'eau **CHAUD** et branchez soigneusement le tuyau d'arrivée inférieur au robinet d'eau **CHAUDE** serrez à la main puis serrez 2/3 de tour supplémentaire à l'aide de pinces. Branchez soigneusement le tuyau d'arrivée supérieur au robinet d'eau **FROIDE**, serrez à la main puis serrez 2/3 de tour supplémentaire à l'aide de pinces.

⚠ ATTENTION IL NE FAUT PAS FAUSSER LE FILETAGE OU TROP SERRER CES RACCORDEMENTS.

Ouvrez l'eau et vérifiez qu'il n'y a aucune fuite dans les raccords.

- Déplacez soigneusement la laveuse jusqu'à son emplacement définitif.
- Pour vous assurer que le combiné est de niveau et repose solidement sur ses quatre pieds, faites incliner le combiné vers l'avant de manière à soulever les pieds arrières du plancher. Replacez soigneusement le combiné par que les pieds arrières se réglent d'eux mêmes. Placez un niveau sur le dessus de la laveuse. Vérifiez le niveau de droite à gauche et d'avant en arrière. Vissez ou dévissez les pieds de mise à niveau avants pour assurer que le combiné repose solidement sur ses quatre pieds (le combiné ne doit aucunement osciller).

NOTA: La hauteur des pieds doit être fixée au minimum pour éviter toute vibration excessive.

- BRANCHEMENT DU GAZ (*Combiné à gaz seulement*)
 - Retirer le couvercle qui recouvre le tuyau de gaz à l'arrière de la sécheuse.

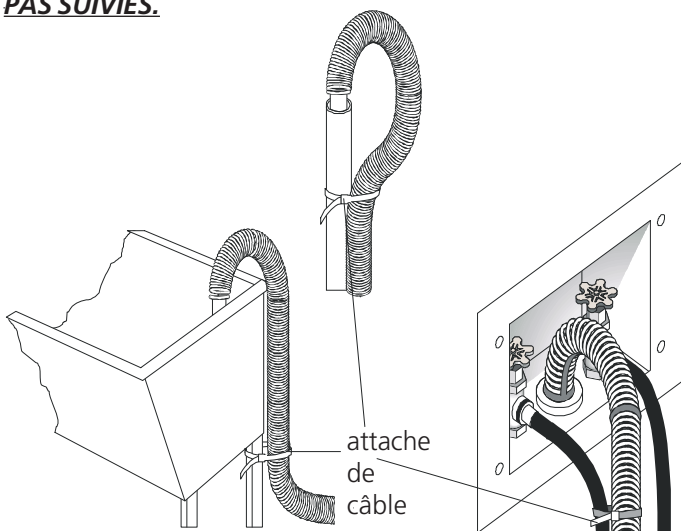
REMARQUE: NE PAS brancher la combiné sur une alimentation au propane sans avoir posé un nécessaire de conversion. Ce nécessaire doit être installé par un technicien agréé.

b. Brancher un tuyau semi-rigide ou approuvé de 1,27 cm (1/2 po) de diamètre intérieur entre la conduite d'alimentation en gaz et le tuyau de 0,96 cm (3/8 po) situé sur l'arrière de la sècheuse. Utiliser un réducteur de 1,27 cm-0,96 cm (1/2 po-3/8 po) pour le branchement. Appliquer un mastic de fermeture pour filets approuvé qui résiste à la corrosion qu'exercent les gaz liquéfiés sur tous les raccords de tuyaux.

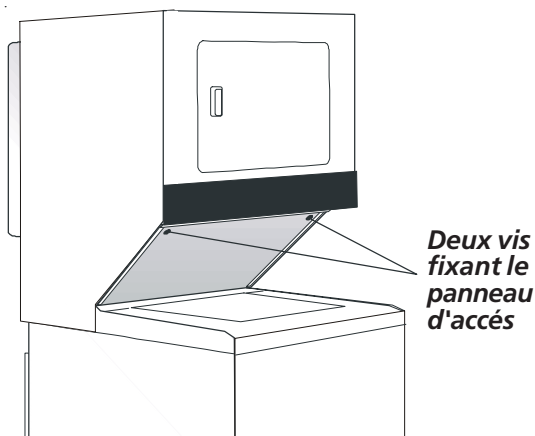
c. Ouvrir le robinet d'arrêt de la conduite d'alimentation en gaz.

d. Vérifier tous les branchements en versant de l'eau savonneuse sur les joints. **NE JAMAIS VÉRIFIER S'IL Y A DES FUITES À L'AIDE D'UNE FLAMME VIVE.**

8. Repliez le boyau de vintage pour former un <U> à son extrémité en direction de l'évier ou du tuyau d'égout, disposez le boyau dans l'évier ou le tuyau d'égout, et fixez-le avec une attache de câble fournie dans l'enveloppe jointe. **L'EAU SERA SIPHON-NEE DE L'APPAREIL SI LES INSTRUCTIONS PRÉCITÉES NE SONT PAS PAS SUIVIES.**



9. Retirez les deux vis fixant le panneau d'accès avant de la sècheuse à la carrosserie de la sècheuse. Soulevez le panneau jusqu'à dégagement des attaches. Retirez le panneau et mettez-le côté.



10. Reliez les conduits d'évacuation d'air conduit d'évacuation extérieur. Utilisez un ruban adhésif pour conduits pour sceller les joints.

11. Brancher le cordon d'alimentation électrique dans une prise mise à la terre.

12. Réattacher le panneau d'accès avant de la sècheuse.

REMARQUE: S'assurer que le courant est coupé à la boîte de fusibles ou de disjoncteurs avant de brancher le cordon d'alimentation dans une prise.

12. Remettre le courant à la boîte de fusibles ou de disjoncteurs.

ATTENTION Avant d'utiliser la combiné, s'assurer que les environs de la sècheuse sont exempts de tout matériau inflammable, d'essence et de toute autre vapeur inflammable. S'assurer également qu'aucun objet (boîtes, vêtements, etc.) n'obstrue la circulation de l'air servant à la combustion et à la ventilation.

13. Faire fonctionner la laveuse/sècheuse sur un cycle complet pour en vérifier le fonctionnement.

REMARQUE: Dans le cas des laveuse/sécheuses à gaz, la conduite doit être vidée de son air avant que le brûleur ne puisse s'allumer. Si le brûleur ne s'allume pas dans les 45 secondes qui suivent le premier démarrage, l'interrupteur de sûreté éteint automatiquement le brûleur. Si cela se produit, remettre la minuterie à «OFF» et attendre 5 minutes avant de tenter une nouvelle fois d'allumer le brûleur.

14. Si la combiné ne fonctionne pas, passer en revue la section de dépannage inclus dans le Guide de l'utilisateur avant d'appeler un centre de service.

15. Placer cette notice près de la combiné pour référence future.

REMARQUE: Un schéma de câblage se trouve dans le panneau de commande ou sous le couvercle de la sècheuse.

PIÈCES DE RECHANGE

Pour obtenir des pièces de rechange pour la laveuse/sècheuse, contacter le magasin d'où vient la sècheuse.

ATTENTION Lors de tout travail d'entretien ou de réparation des commandes, étiqueter tous les câbles avant de les débrancher. Les erreurs de connexion de câble peuvent entraîner un fonctionnement incorrect et dangereux. Une fois la réparation ou l'entretien terminé, assurez-vous que l'appareil fonctionne correctement.

AVERTISSEMENT Détruire le carton et les sacs en plastique après avoir déballé la combiné. Des enfants risqueraient de s'en servir comme jouet. Les cartons recouverts d'un tapis, d'un couvre-lit ou d'une feuille de plastique peuvent former une chambre étanche et faire suffoquer un enfant. Placer le matériel d'emballage dans une poubelle ou les mettre hors de portée des enfants.

AVERTISSEMENT Les directives qui figurent dans cette notice et dans les autres documents qui accompagnent la sècheuse ne sauraient couvrir toutes les circonstances et les situations possibles. **IL FAUT** donc faire preuve de jugement et de prudence pendant l'installation, l'utilisation et l'entretien de tout appareil électroménager.

Losque toutes les instructions sur la sécurité et le fonctionnement sont bien comprises et qu'elles sont appliquées régulièrement, vous pouvez profiter au maximum des avantages de l'appareil.