

This Owner's Manual is provided and hosted by [Appliance Factory Parts](http://ApplianceFactoryParts.com).



Electrolux FWS933FS2 Owner's Manual

[Shop genuine replacement parts for Electrolux
FWS933FS2](#)

| | |
|---------------------------|---------------|
| Product No. | FWS933FS2 |
| Series | Frigidaire |
| Market | North America |
| Color | white |
| Volts | 120 |
| Wiring Diagram | 134755700 |
| Owner's Guide | 134752500 |
| Installation Instructions | 134752400 |
| Operating Instructions | 134870600 |
| Energy Guide | 134756600 |

Electrolux
Electrolux Major Appliances
North & Latin America
P.O. BOX 212278
AUGUSTA, GA 30917

Publication No.
5995492518
07/09/11
(ENSERVIC/WT/C)
381

TOP-LOAD WASHING
MACHINE
Model No.
FWS933F

Copyright © 2007 Electrolux Home Products, Inc.
All rights reserved.

[Find Your Electrolux Dryer Parts - Select From 57 Models](#)

----- Manual continues below part list -----

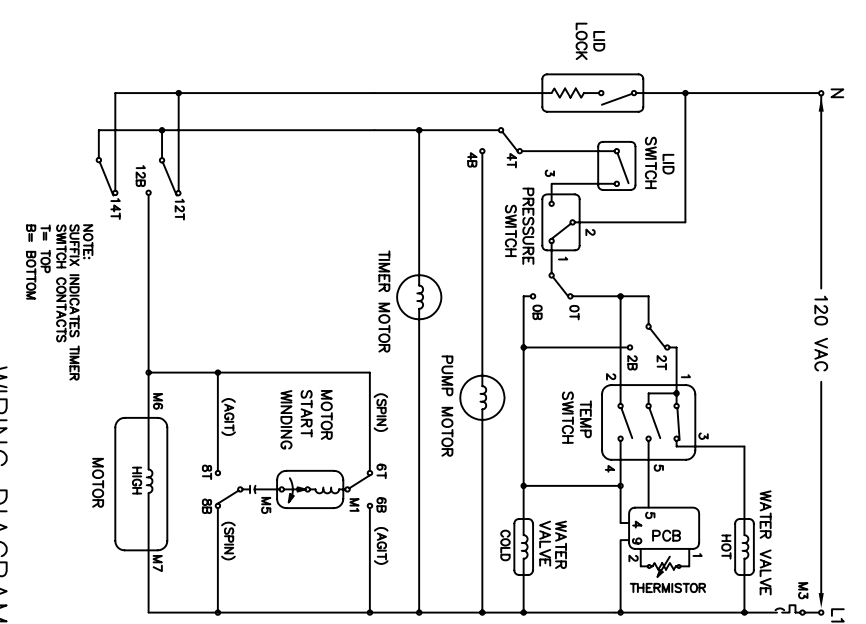
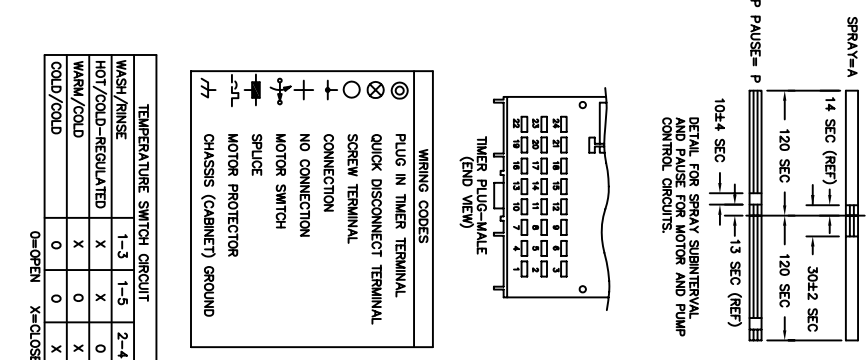
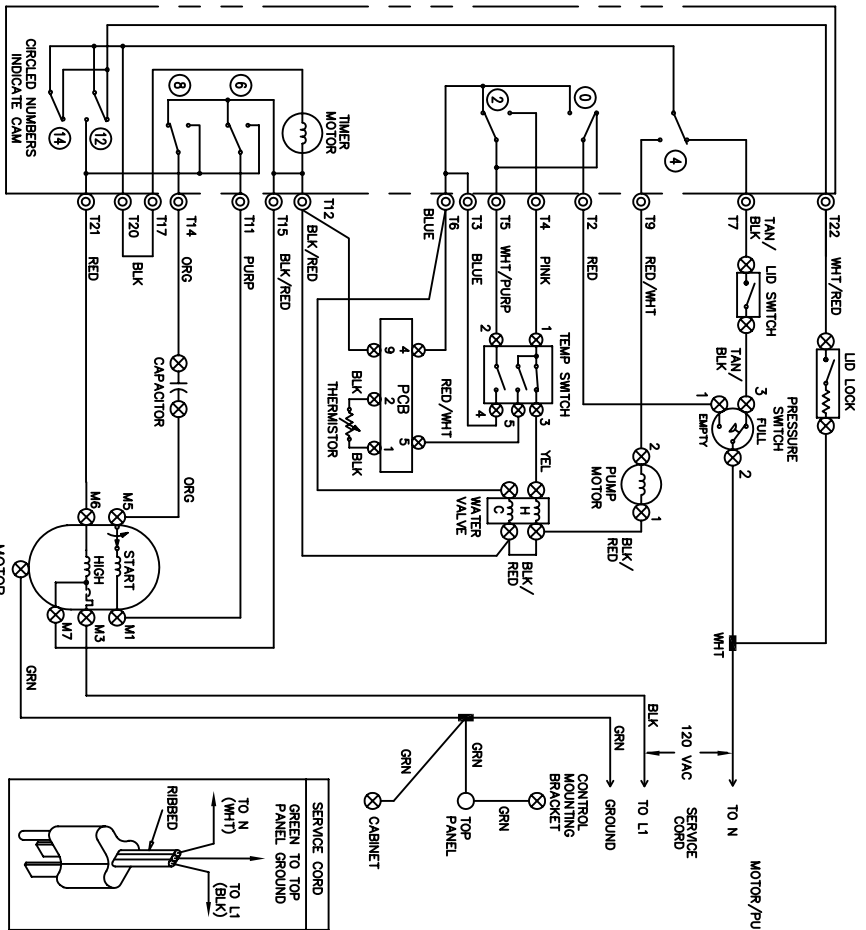
Available Replacement Parts for Electrolux FWS933FS2

[WV-2](#)

UNIV WASHER WATER VALVE WITH THERMISTOR

CAUTION: DISCONNECT ELECTRIC CURRENT BEFORE SERVICING

| TERM. | CIRCUIT | REGULAR | | | | PERM. PRESS | | | | DELICATE | | | |
|-------|--------------------|---------------|-------------------|---------------|--------------------|---------------|-------------------|---------------|-------------------|--------------|-------------------|---------------|-------------------|
| | | WASH (16 MIN) | PUMP (6 MIN) SPIN | RINSE (4 MIN) | PUMP (10 MIN) SPIN | WASH (12 MIN) | PUMP (6 MIN) SPIN | RINSE (4 MIN) | PUMP (6 MIN) SPIN | WASH (8 MIN) | PUMP (6 MIN) SPIN | RINSE (4 MIN) | PUMP (6 MIN) SPIN |
| 0 2 | SI SPRAY | | | | | | | | | | | | |
| 2 5 | WASH FILL | | | | | | | | | | | | |
| 3 3 | RINSE FILL | | | | | | | | | | | | |
| 4 20 | LID SW BYPASS PUMP | | | | | | | | | | | | |
| 6 11 | SPIN DIR | | | | | | | | | | | | |
| 6 12 | AGITATE DIR | | | | | | | | | | | | |
| 8 14 | AGITATE DIR | | | | | | | | | | | | |
| 8 14 | SPIN DIR | | | | | | | | | | | | |
| 10 17 | | | | | | | | | | | | | |
| 10 17 | | | | | | | | | | | | | |
| 12 20 | P.S. BYPASS | | | | | | | | | | | | |
| 12 20 | MOTOR CONTROL | | | | | | | | | | | | |
| 22 21 | P.S. BYPASS | | | | | | | | | | | | |
| 22 21 | MOTOR CONTROL | | | | | | | | | | | | |
| 14 20 | | | | | | | | | | | | | |



- WIRING CODES**
- ⊙ PLUG IN TIMER TERMINAL
 - ⊗ QUICK DISCONNECT TERMINAL
 - ⊕ SCREW TERMINAL
 - ⊖ CONNECTION
 - ⊘ NO CONNECTION
 - ⊙ MOTOR SWITCH
 - ⊙ SPICE
 - ⊙ MOTOR PROTECTOR
 - ⊙ CHASSIS (CABINET) GROUND

TEMPERATURE SWITCH CIRCUIT

| | 1-3 | 1-5 | 2-4 |
|--------------------|-----|-----|-----|
| WASH/RINSE | X | X | 0 |
| HOT/COLD-REGULATED | X | X | 0 |
| WARM/COLD | X | 0 | X |
| COLD/COLD | 0 | 0 | X |

0=OPEN X=CLOSED

WIRING DIAGRAM
134755700

