

Installation Instructions

Electric Dryer 54

Questions on Installation? Call: 1-800-GEARES (US)
or Visit our Web site at: www.GEAppliances.com (US)

BEFORE YOU BEGIN

Read these instructions completely and carefully.

- **IMPORTANT** - Save these instructions for local inspector's use.
- **IMPORTANT** - Observe all governing codes and ordinances.
- **Note to Installer** - Be sure to leave these instructions with the customer.
- **Note to Customer** - Keep these instructions with your Use and Care Book for future reference.
- This dryer must be exhausted to the outdoors.
- Before the old dryer is removed from service or discarded, remove the dryer door.
- Service information and the wiring diagram are located in the control console.
- Do not allow children on or in the appliance. Close supervision of children is necessary when the appliance is used near children.

FOR YOUR SAFETY:

⚠ WARNING

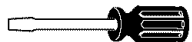
- Use only rigid metal or flexible metal 4-in. diameter ductwork for exhausting to the outdoors. Never use plastic or other combustible, easy-to-puncture ductwork.
- This appliance must be properly grounded and installed as described in these instructions.
- Do not install or store appliance in an area where it will be exposed to water and/or weather
- Install the dryer where the temperature is above 50°F for satisfactory operation of the dryer control system.

NOTE: Installation and service of this dryer requires basic mechanical and electrical skills. It is your responsibility to contact a qualified installer to make the electrical connections.

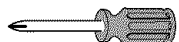
TOOLS YOU WILL NEED



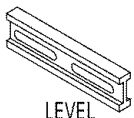
SLIP JOINT PLIERS



FLAT BLADE SCREWDRIVER

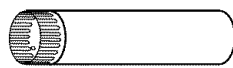


PHILLIPS SCREWDRIVER



LEVEL

MATERIALS YOU WILL NEED



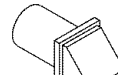
4" DIA. METAL DUCT
(RECOMMENDED)



4" DUCT CLAMPS (2)
OR
4" SPRING CLAMPS (2)



4" DIA. METAL
ELBOW



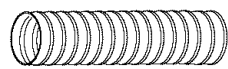
EXHAUST HOOD



SAFETY GLASSES



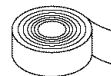
DRYER POWER
CORD KIT
(NOT PROVIDED
WITH DRYER)



4" DIA. FLEXIBLE METAL DUCT
(IF NEEDED)



3/4" STRAIN RELIEF
UL RECOGNIZED



DUCT TAPE



GLOVES

UL RATED 120/240V, 30A
WITH 3 OR 4 PRONGS.
IDENTIFY THE PLUG TYPE
AS PER THE HOUSE
RECEPTACLE BEFORE
PURCHASING LINE CORD.

- Step 1 Prepare the Area and Exhaust for Installation of New Dryer (see section 1).
- Step 2 Check and Ensure the Existing External Exhaust is Clean (see section 1) and Meets Attached Installation Specifications (see section 3).
- Step 3 Remove the Foam Shipping Pads (see section 1).
- Step 4 Move the Dryer to the Desired Location.
- Step 5 Connect the Power Supply (see section 2).
- Step 6 Connect the External Exhaust (see section 4).
- Step 7 Level Your Dryer (see section 5).

- Step 8 Check the Operation of the Power Supply and Venting.
- Step 9 Place the Owners Manual and the Installation Instructions in a Location Where They Will Be Noticed by the Owner.

For Alcove or Closet Installation, see section 6.
For Bathroom or Bedroom Installation, see section 7.
For Mobile or Manufactured Home see, section 8.
For side or bottom exhaust, see section 9.

Installation Instructions

Minimum Clearance Other Than Alcove or Closet Installation

Minimum clearance to combustible surfaces and for air opening are: 0 in. clearance both sides and 1 in. rear. Consideration **must** be given to provide adequate clearance for installation and service.

1 PREPARING FOR INSTALLATION OF NEW DRYER

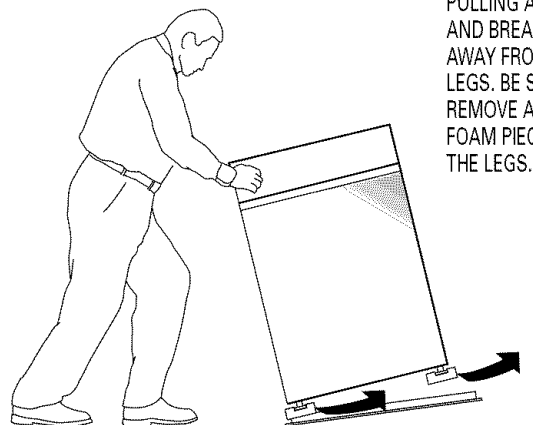


TIP: Install your dryer before installing your washer. This will allow better access when installing dryer exhaust.

REMOVING LINT FROM WALL EXHAUST OPENING



TILT THE DRYER SIDEWAYS AND REMOVE THE FOAM SHIPPING PADS BY PULLING AT THE SIDES AND BREAKING THEM AWAY FROM THE DRYER LEGS. BE SURE TO REMOVE ALL OF THE FOAM PIECES AROUND THE LEGS.



2 ELECTRICAL CONNECTION INFORMATION

⚠ WARNING - TO REDUCE THE RISK OF FIRE, ELECTRICAL SHOCK AND PERSONAL INJURY:

• **DO NOT USE AN EXTENSION CORD OR AN ADAPTER PLUG WITH THIS APPLIANCE.**

Dryer must be electrically grounded in accordance with local codes and ordinances, or in the absence of local codes, in accordance with the NATIONAL ELECTRICAL CODE, ANSI/NFPA NO. 70.

ELECTRICAL REQUIREMENTS

This dryer must be connected to an individual branch circuit, protected by the required time-delay fuses or circuit breakers. A four or three-wire, single phase, 120/240V or 120/208V, 60Hz, 30 amp circuit is required.

If the electric supply does not meet the above specifications, then call a licensed electrician.

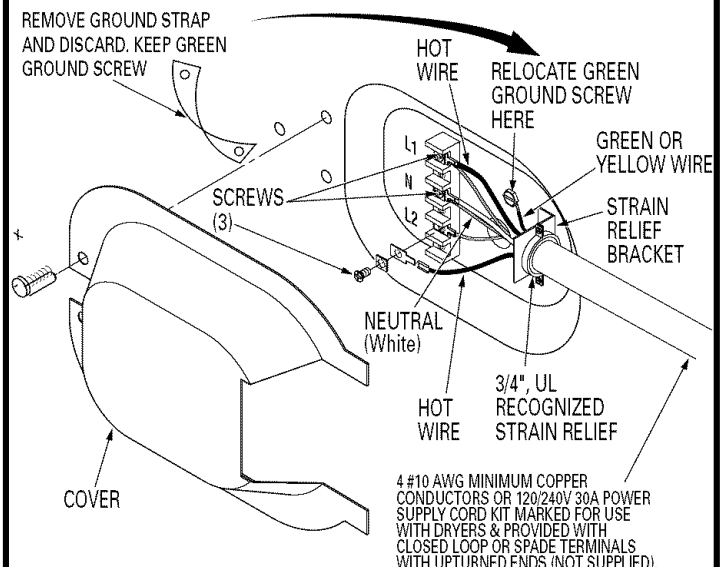
GROUNDING INSTRUCTIONS

This dryer must be connected to a grounded metal, permanent wiring system, or an equipment-grounding conductor must be run with the circuit conductors and connected to the equipment-grounding terminal on the appliance.

CONNECTING DRYER USING 4-WIRE CONNECTION (MUST BE USED FOR MOBILE HOME INSTALLATION)

NOTES: Since January 1, 1996, the National Electric code requires that the new constructions utilize a 4-wire connection to an electric dryer

⚠ WARNING: Only a 4-conductor cord shall be used when the appliance is installed in a location where grounding through the neutral conductor is prohibited. Grounding through the neutral is prohibited for the new branch-circuit installations, mobile homes, recreational vehicles, and areas where local codes prohibit grounding through the neutral conduction.



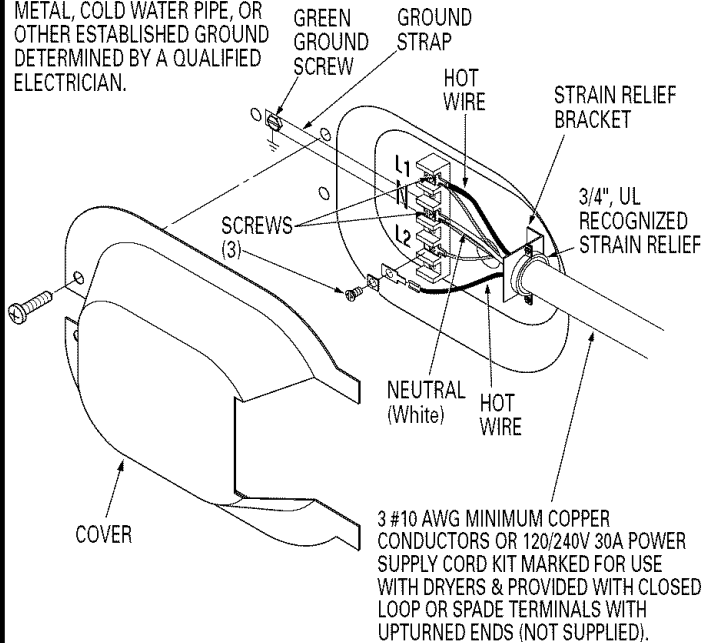
Installation Instructions

1. Turn off the circuit breaker (s) (30 amp) or remove the dryer's circuit fuse at the electrical box.
2. Be sure the dryer cord is unplugged from the wall receptacle.
3. Remove the power cord cover located at the lower back.
4. Remove and discard ground strap. Keep the green ground screw for step 7.
5. Install 3/4 in. UL recognized strain relief to power cord entry hole. Bring power cord through strain relief.
6. Connect power cord as follows:
 - A. Connect the 2 hot lines to the outer screws of the terminal block (marked L1 and L2).
 - B. Connect the neutral (white) line to the center of the terminal block (marked N).
7. Attach ground wire of power cord with the green ground screw (hole above strain relief bracket). Tighten all terminal block screws (3) completely.
8. Properly secure power cord to strain relief.
9. Reinstall the cover.

⚠ WARNING: NEVER LEAVE THE COVER OFF OF THE TERMINAL BLOCK.

CONNECTING DRYER USING 3-WIRE CONNECTION

IF REQUIRED, BY LOCAL CODE, INSTALL EXTERNAL GROUND (NOT PROVIDED) TO GROUNDED METAL, COLD WATER PIPE, OR OTHER ESTABLISHED GROUND DETERMINED BY A QUALIFIED ELECTRICIAN.



1. Turn off the circuit breaker (s) (30 amp) or remove the dryer's circuit fuse at the electrical box.
2. Be sure the dryer cord is unplugged from the wall.
3. Remove the power cord cover located at the lower back.
4. Install 3/4 in. UL recognized strain relief to power cord entry hole. Bring power cord through strain relief.
5. Connect power cord as follows:
 - A. Connect the 2 hot lines to the outer screws of the terminal block (marked L1 and L2).
 - B. Connect the neutral (white) line to the center of the terminal block (marked N).
6. Be sure ground strap is connected to neutral (center) terminal of block and to green ground screw on cabinet rear. Tighten all terminal block screws (3) completely.
7. Properly secure power cord to strain relief.
8. Reinstall the cover.

⚠ WARNING: NEVER LEAVE THE COVER OFF OF THE TERMINAL BLOCK.

3 EXHAUST INFORMATION

⚠ WARNING - USE ONLY METAL 4-IN. DUCT. DO NOT USE DUCT LONGER THAN SPECIFIED IN THE EXHAUST LENGTH TABLE.

Using exhaust longer than specified length will:

- Increase the drying times and the energy cost.
- Reduce the dryer life.
- Accumulate lint, creating a potential fire hazard.

The correct exhaust installation is YOUR RESPONSIBILITY. Problems due to incorrect installation are not covered by the warranty.

The MAXIMUM ALLOWABLE length of the exhaust system depends upon the type of duct, number of turns, the type of exhaust hood (wall cap), and all conditions noted below. Both rigid and flexible metal duct are shown in the table below.

EXHAUST LENGTH

	RECOMMENDED MAXIMUM LENGTH			
	Exhaust Hood Types			
	Recommended		Use only for short run installations	
No. of 90° Elbows	Rigid Metal	Flexible Metal	Rigid Metal	Flexible Metal
0	90 Feet	55 Feet	60 Feet	45 Feet
1	60 Feet	40 Feet	45 Feet	30 Feet
2	45 Feet	30 Feet	35 Feet	20 Feet
3	35 Feet	20 Feet	25 Feet	15 Feet
4	25 Feet	15 Feet	15 Feet	10 Feet

If using flexible metal duct, please refer to page 5.

EXHAUST SYSTEM CHECK LIST

HOOD OR WALL CAP

- Terminate in a manner to prevent back drafts or entry of birds or other wildlife.
- Termination should present minimal resistance to the exhaust air flow and should require little or no maintenance to prevent clogging.
- **Never** install a screen in or over the exhaust duct. This could cause lint build up.
- Wall caps must be installed at least 12 in. above ground level or any other obstruction with the opening pointed down.
- If roof vents or louvered plenums are used, they must be equivalent to a 4-in. dampened wall cap in regard to resistance to air flow, prevention of back drafts, and maintenance required to prevent clogging.

SEPARATION OF TURNS

For best performance, separate all turns by at least 4 ft. of straight duct, including distance between last turn and exhaust hood.

TURNS OTHER THAN 90°

- One turn of 45° or less may be ignored.
- Two 45° turns should be treated as one 90° turn.
- Each turn over 45° should be treated as one 90° turn.

SEALING OF JOINTS

- All joints should be tight to avoid leaks. The male end of each section of duct must point away from the dryer.
- Do not assemble the ductwork with fasteners that extend into the duct. They will serve as a collection point for lint.
- Duct joints can be made air and moisture-tight by wrapping the overlapped joints with duct tape.
- Horizontal runs should slope down toward the outdoors 1/2 inch per foot

INSULATION

Duct work that runs through an unheated area or is near air conditioning should be insulated to reduce condensation and lint build-up.

Installation Instructions

4 EXHAUST CONNECTION

⚠ WARNING - TO REDUCE THE RISK OF FIRE OR PERSONAL INJURY:

- This dryer must be exhausted to the outdoors.
- Use only metal duct.
- Do not terminate exhaust in a chimney, any gas vent, under an enclosed floor (crawl space), or into an attic. The accumulated lint could create a fire hazard.
- Provide an access for inspection and cleaning of the exhaust system, especially at turns. Inspect and clean at least once a year.
- Never terminate the exhaust into a common duct with a kitchen exhaust. A combination of lint and grease could create a fire hazard.
- Do not obstruct incoming or exhausted air.

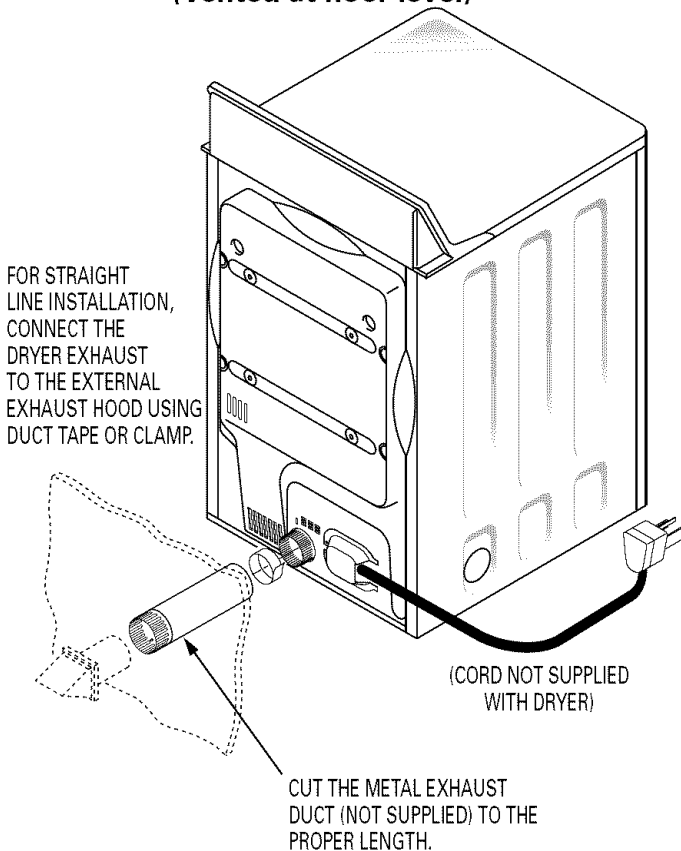
THIS DRYER COMES READY FOR REAR EXHAUSTING. IF SPACE IS LIMITED, USE THE INSTRUCTIONS IN SECTION 9 TO EXHAUST DIRECTLY FROM THE SIDES OR BOTTOM OF THE CABINET.

STANDARD REAR EXHAUST (Vented above floor level)



NOTE: ELBOWS WILL PREVENT DUCT KINKING AND COLLAPSING.

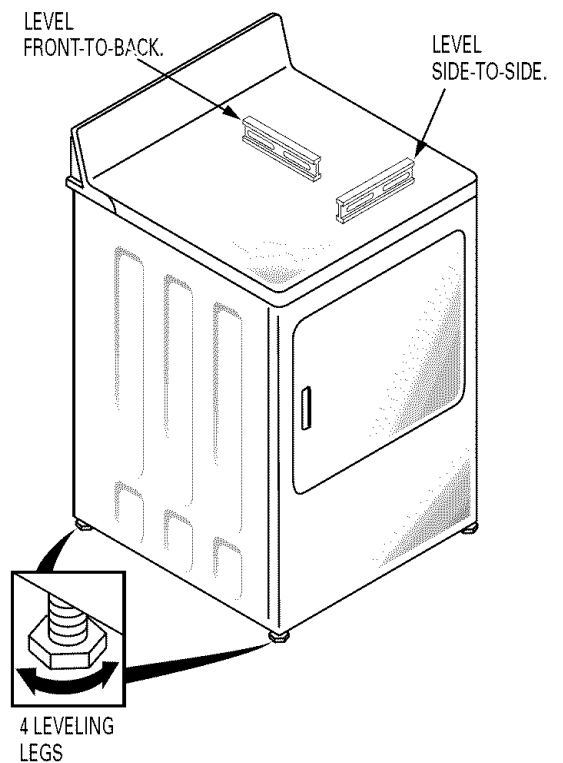
STANDARD REAR EXHAUST (Vented at floor level)



NOTE: WE STRONGLY RECOMMEND SOLID METAL EXHAUST DUCTING. HOWEVER, IF FLEXIBLE DUCTING IS USED IT MUST BE METAL NOT PLASTIC.

5 LEVELING AND STABILIZING YOUR DRYER

STAND THE DRYER UPRIGHT NEAR THE FINAL LOCATION AND ADJUST THE 4 LEVELING LEGS, AT THE CORNERS, TO ENSURE THAT THE DRYER IS LEVEL FROM SIDE TO SIDE AND FRONT TO REAR.



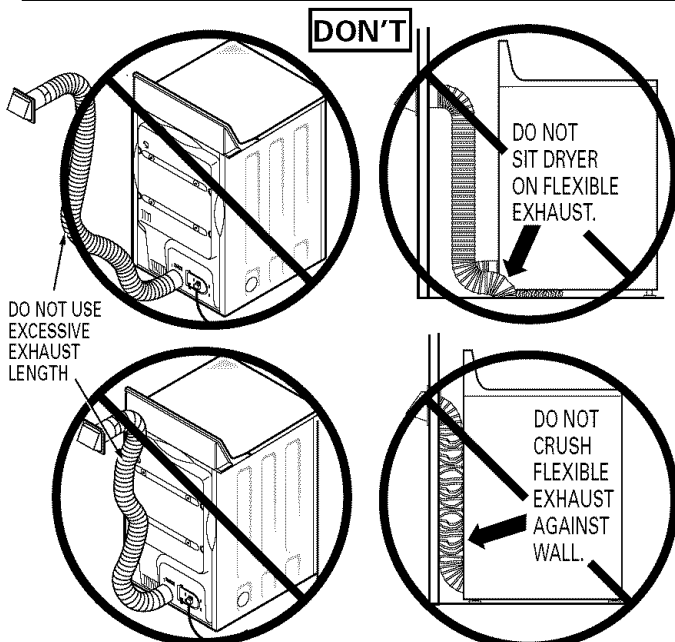
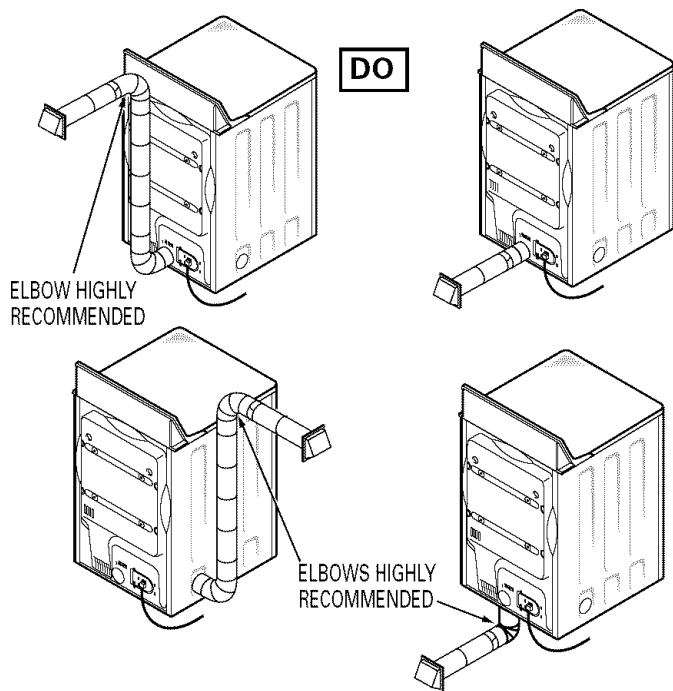
Installation Instructions, Indoor Exhausting

USING FLEXIBLE METAL DUCTS

If rigid all-metal duct cannot be used, then flexible all-metal ducting can be used, but it will reduce the maximum recommended duct length. In special installations when it is impossible to use only metal ducting, then UL-listed clothes dryer flexible metal transition duct may be used as transition venting between the dryer and wall connection only. The use of this ducting will affect dry time.

If flexible transition duct is necessary, the following directions **must** be followed.

- Use the Shortest Length Possible.
- Stretch the Duct to Its Maximum Length to avoid kinks.
- Do Not Crush or Collapse the Duct.
- Never Use Transition Duct Inside the Wall or Inside the Dryer.
- Avoid Resting the Duct on Sharp Objects.
- **Venting Must Conform to Local Building Codes.**



6 ALCOVE OR CLOSET INSTALLATION

- If your dryer is approved for installation in an alcove or closet, it will be stated on a label on the dryer back.
- The dryer **MUST** be vented to the outdoors. See the EXHAUST INFORMATION sections 3 & 4.
- Minimum clearance between dryer cabinet and adjacent walls or other surfaces is:
 - 0 in. either side
 - 3 in. front and rear
- Minimum vertical space from floor to overhead cabinets, ceiling, etc. is 52 in.
- Closet doors must be louvered or otherwise ventilated and must contain a minimum of 60 sq. in. of open area equally distributed. If the closet contains both a washer and a dryer, doors must contain a minimum of 120 sq. in. of open area equally distributed.

7 BATHROOM OR BEDROOM INSTALLATION

- The dryer **MUST** be vented to the outdoors. See EXHAUST INFORMATION section 3 & 4.
- The installation must conform with local codes or, in the absence of local codes, with the NATIONAL ELECTRICAL CODE, ANSI/NFPA NO. 70.

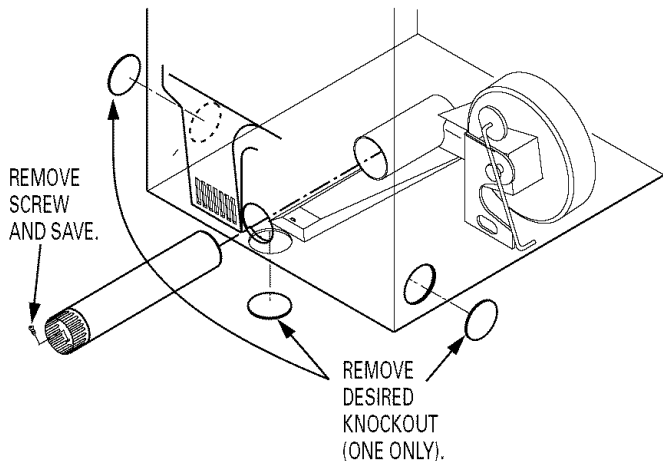
8 MOBILE OR MANUFACTURED HOME INSTALLATION

- Installation must conform to the MANUFACTURED HOME CONSTRUCTION & SAFETY STANDARD, TITLE 24, PART 32-80 or, when such standard is not applicable, with AMERICAN NATIONAL STANDARD FOR MOBILE HOME, ANSI/NFPA NO. 501B.
- The dryer **MUST** be vented to the outdoors with the termination securely fastened to the mobile home structure. (See EXHAUST INFORMATION section 3 & 4.)
- The vent **MUST NOT** be terminated beneath a mobile or manufactured home.
- The vent duct material **MUST BE METAL**.
- Do not use sheet metal screws or other fastening devices which extend into the interior of the exhaust vent.
- See section 2 for electrical connection information.

Installation Instructions

9 DRYER EXHAUST TO RIGHT, LEFT OR BOTTOM CABINET

⚠ WARNING - BEFORE PERFORMING THIS EXHAUST INSTALLATION, BE SURE TO DISCONNECT THE DRYER FROM ITS ELECTRICAL SUPPLY. PROTECT YOUR HANDS AND ARMS FROM SHARP EDGES WHEN WORKING INSIDE THE CABINET. BE SURE TO WEAR GLOVES



Detach and remove the bottom, right or left side knockout as desired. Remove the screw inside the dryer exhaust duct and save. Pull the duct out of the dryer.



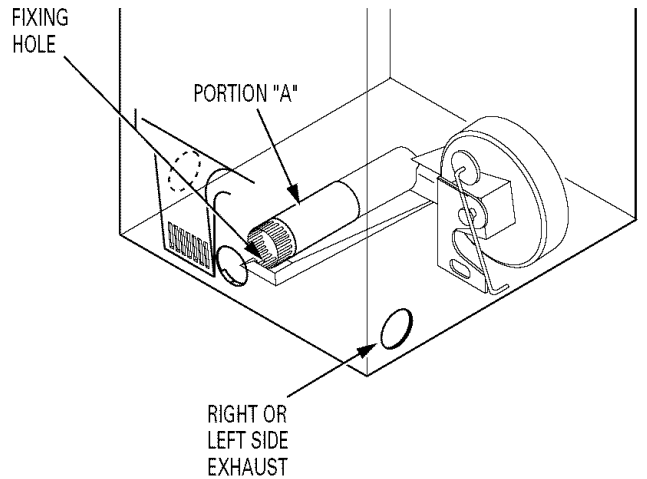
Cut the duct as shown and keep portion A.

TAB LOCATION



Through the rear opening, locate the tab in the middle of the appliance base. Lift the tab to about 45° using a flat blade screwdriver.

ADDING NEW DUCT

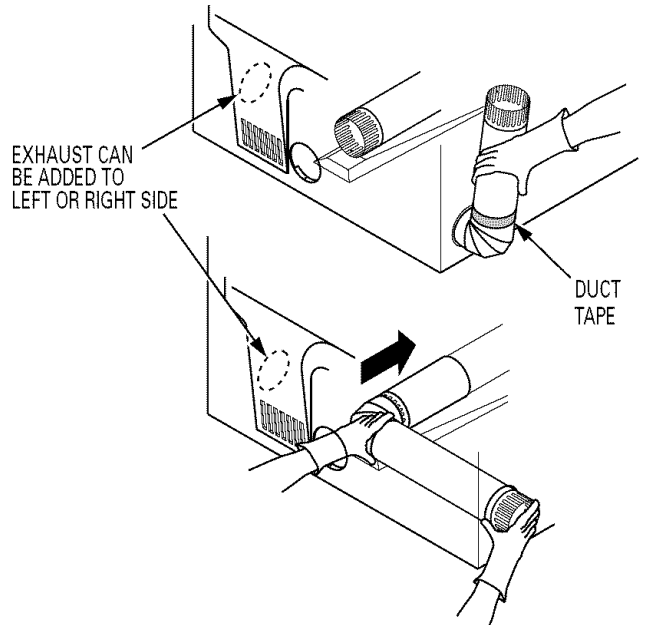


Reconnect the cut portion (A) of the duct to the blower housing. Make sure that the shortened duct is aligned with the tab in the base. Use the screw saved previously to secure the duct in place through the tab on the appliance base.

ADDING ELBOW AND DUCT FOR EXHAUST TO LEFT OR RIGHT SIDE OF CABINET

- Preassemble 4" elbow with 4" duct. Wrap duct tape around joint.
- Insert duct assembly, elbow first, through the side opening and connect the elbow to the dryer internal duct.

CAUTION: Be sure not to pull or damage the electrical wires inside the dryer when inserting the duct.



- Apply duct tape as shown on the joint between the dryer internal duct and the elbow.

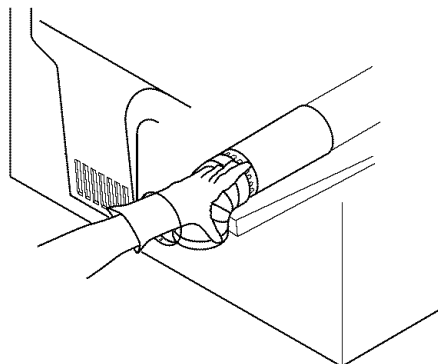


CAUTION: Internal duct joints must be secured with tape, otherwise they may separate and cause a safety hazard.

Installation Instructions

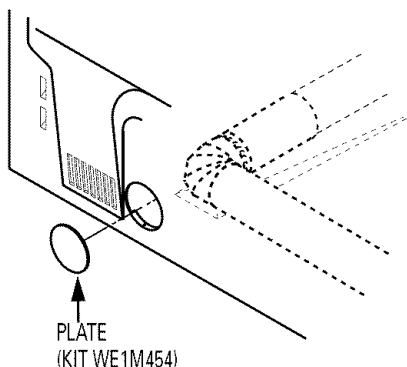
ADDING ELBOW FOR EXHAUST THROUGH BOTTOM OF CABINET

- Insert the elbow through the rear opening and connect it to the dryer internal duct.
- Apply duct tape on the joint between the dryer internal duct and elbow, as shown on page 6.



CAUTION:
Internal duct joints must be secured with tape, otherwise they may separate and cause a safety hazard.

ADDING COVER PLATE TO REAR OF CABINET (SIDES AND BOTTOM EXHAUST)



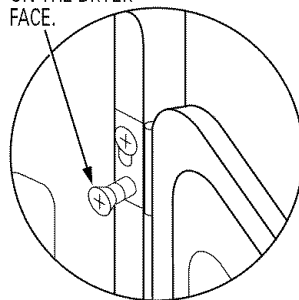
Connect standard metal elbows and ducts to complete the exhaust system. Cover back opening with a plate (Kit WE1M454) available from your local service provider. Place dryer in final location.

⚠ WARNING - NEVER LEAVE THE BACK OPENING WITHOUT THE PLATE. (Kit WE1M454)

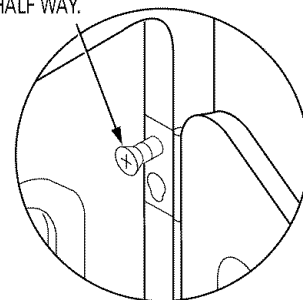
10 CHANGING DIRECTION OF DOOR OPENING

1. Open the door and remove the filler plugs opposite the hinges. With the door completely open, remove the bottom screws from each hinge on the dryer face. Insert these screws about half way into the **TOP** holes, for each hinge on the opposite side (where you removed the filler plugs). Apply firm pressure to get the screw started.
2. Loosen the top screws from each hinge on the dryer face half way. With one hand holding the top of the door and the other hand holding the bottom, remove the door from the dryer by lifting it **UP** and **OUT**.
3. Rotate the door 180°. Insert the door on the opposite side of the opening by moving the door **IN** and **DOWN** until the top hinge and the bottom hinge are resting on the top screws inserted in step 1.
4. Remove the remaining screws from the side of the opening from which the door was removed. With these screws secure each hinge at the bottom. Tighten the two top screws on each hinge. Reinsert the plastic plugs on the side from which the door was removed.

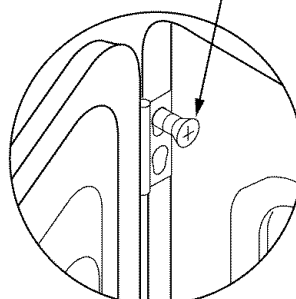
REMOVE THE BOTTOM SCREW FROM EACH HINGE ON THE DRYER FACE.



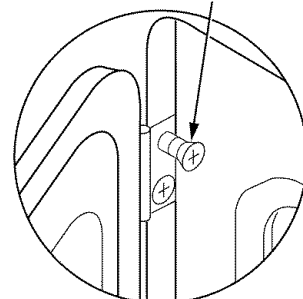
LOOSEN THE TOP SCREWS FROM EACH HINGE ON THE DRYER FACE HALF WAY.



MOVE THE DOOR IN AND DOWN UNTIL THE TOP HINGE AND THE BOTTOM HINGE ARE RESTING ON THE TOP SCREWS INSERTED IN STEP 1.



SECURE EACH HINGE AT THE BOTTOM AND TIGHTEN THE TWO TOP SCREWS OF EACH HINGE.



11 SERVICING

⚠ WARNING - LABEL ALL WIRES PRIOR TO DISCONNECTING WHEN SERVICING CONTROLS. WIRING ERRORS CAN CAUSE IMPROPER AND DANGEROUS OPERATION AFTER SERVICING/INSTALLATION.

For servicing phone numbers for replacement parts, and other information, refer to Owner's Manual or visit our Web site.

TO REGISTER YOUR DRYER
CALL TOLL-FREE
1-888-269-1192

Prompt registration confirms your right to protection under the terms of your warranty.

www.GEAppliances.com (US)

For Questions on Installation, Call: 1-800-626-2003 (US)

500A187P054

2-01 ON

Pub # 31-16135

Notes