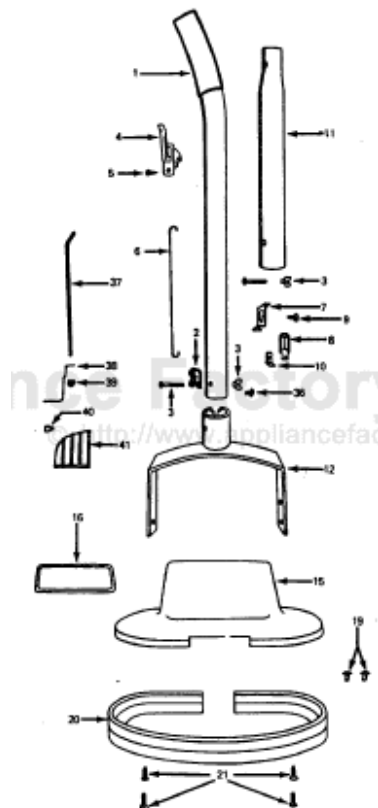


This Owner's Manual is provided and hosted by [Appliance Factory Parts](http://www.ApplianceFactoryParts.com).



HOOVER F4005 Owner's Manual

[Shop genuine replacement parts for HOOVER F4005](#)



[Find Your HOOVER Vacuum Cleaner Parts - Select From 1456 Models](#)

----- Manual continues below part list -----

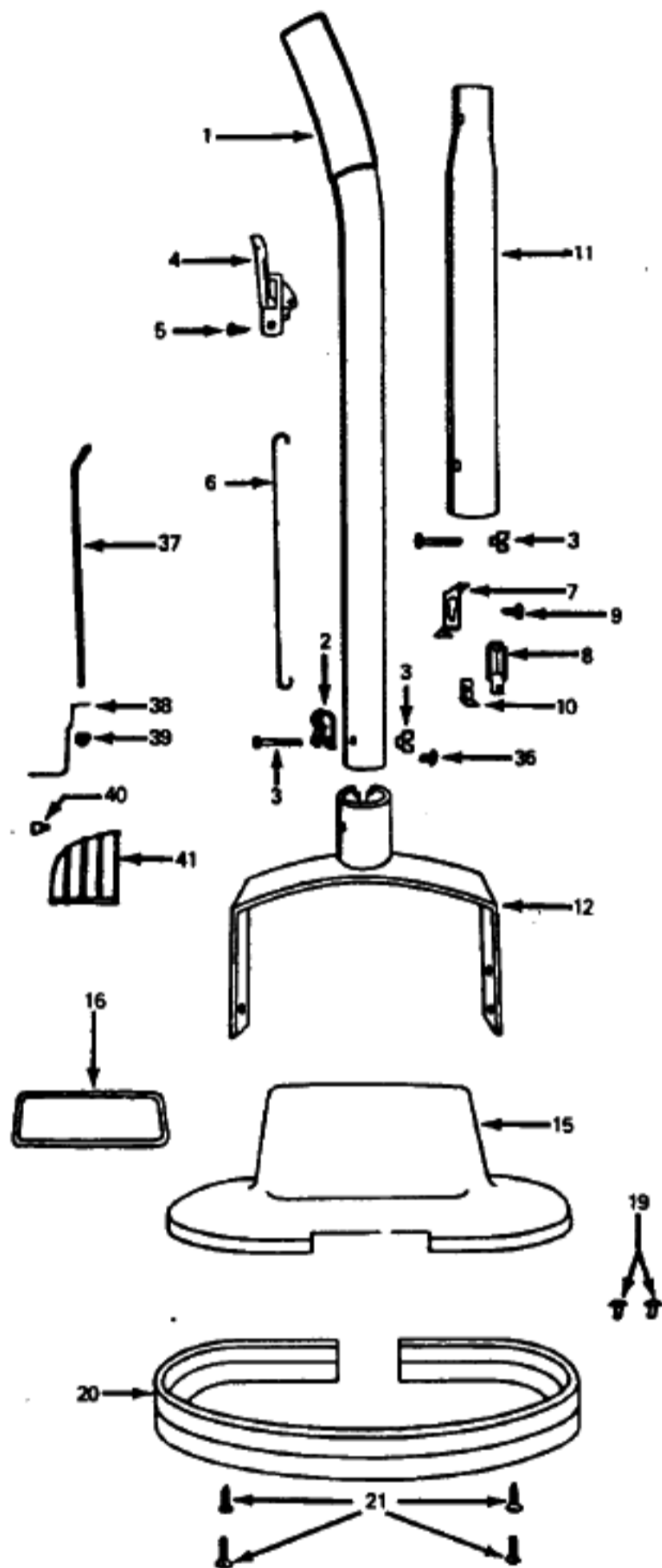
Available Replacement Parts for HOOVER F4005

[12738](#)

THUMB SCREW ASSEMBLY

Handle, Hood & Bail

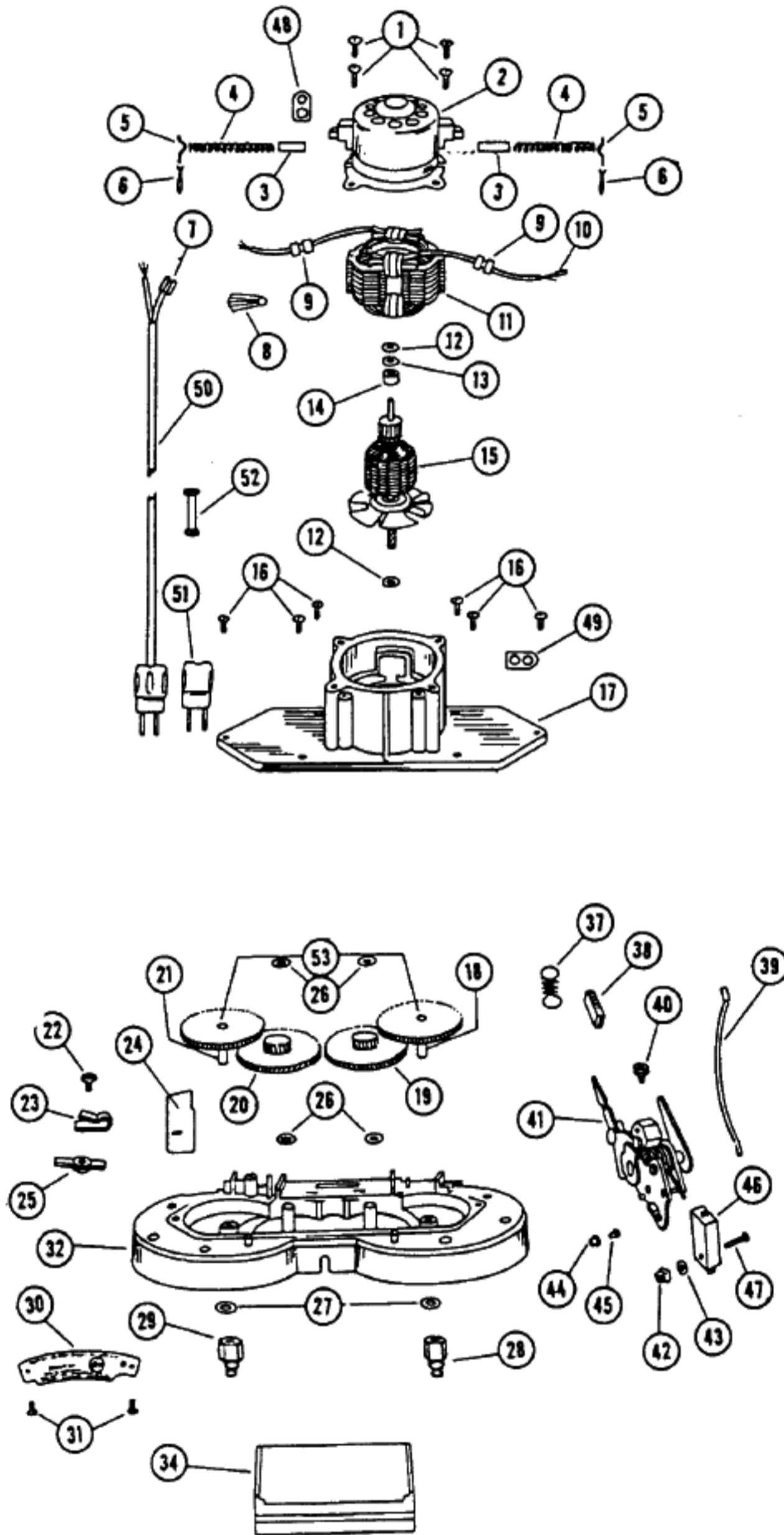
Models F4005, F4005-001, F4005-101, F4005-002



1	19510LL 48648022	+ Handle & Cap Handle Comp. - Upper Half F4005-001, F4005-101
	48641005 48648029	+ Handle - Upper Half - F4005-002 + Handle Comp. Upper Half F4005- 002
2	12910	+ Cord Clamp
3	48294AW	+ Handle Bolt & Nut
4	43138005	+ Control Housing
5	17942	+ Screw
6	17331	+ Control Lever Rod
7	162069AY	+ Valve Rod Bracket
8	17251	+ Cap Detent Bracket
9	17942	+ Screw
10	18559	+ Tank Stop
11	17330JM	+ Handle - Lower Half
12	41415002	+ Bail Assem.
15	166699FN 42271060	+ Hood Comp. - F4005-001 Hood - JX
16	17293DN	+ Nameplate
19	49571AY	+ Rivet - F4005-002
20	17292JM	+ Furniture Guard
21	12738	+* Screw
36	17252	+* Rivet
37	162068	+ Control Rod - Threaded End
38	162069AY	+ Valve Control Bracket
39	162067	+ Nut
40	12763AW	+ Rivet
41	161450JM	+ Tank Cap Lock

ITEMS NOT ILLUSTRATED

16125AY	+ Capsert
19461	+ Handle Cap



Motor & Housing

Models F4005, F4005-001, F4005-101, F4005-002

Ref.	Part Description	No.	No.
1	17001FW	*	Screw
2	42197002		Motor Cap Assem.
	42197003	+	Motor Cap Assem. - F4005-002
3	49351	+	Motor Brush
	47311005		Motor Brush - F4005-002
4	49423	+	Motor Brush Spring
	38311009	+	Motor Brush Spring
5	49397	+*	Retainer
			Not Applicable - F4005-002
6	49435	+*	Pin
			Not Applicable - F4005-002
7	160356	*	Terminal
	161876	+	Terminal - F4005-002
8	48969	*	Wire Nut
9	49379	+	Lead Wire Collar
10	14197	+*	Terminal
	15450	+*	Terminal - F4005-002
11	23444		Field Assem.
	45315004	+	Field Assem. - F4005-002
12	21312720	+*	Washer
13	15865	*	Washer
14	49344	+*	Insulator
	31148006		Insulator - F4005-002
15	23445		Armature
	44731012		Armature - F4005-002
16	49417AZ	+*	Screw
17	12165		Gear Cover Assem.
18	168403		Brush Shaft & Insert - L.H.
19	35674		Idler Gear - L.H.
20	35675BZ		Idler Gear - R.H.
21	168402		Brush Shaft & Insert - R.H.
22	14378	+*	Screw
23	12910		Cord Clamp
24	14367	+	Cord Insulator
25	49388AY	+	Bail Shaft - R.H.
26	21312724		Washer
27	21312756	*	Washer
28	35584	+	Shaft & Nut - L.H.
29	35583		Shaft & Nut - R.H.
30	52374001		Data Plate
			Not Applicable - F4005-002
31	49508	+*	Screw
			Not Applicable - F4005-002

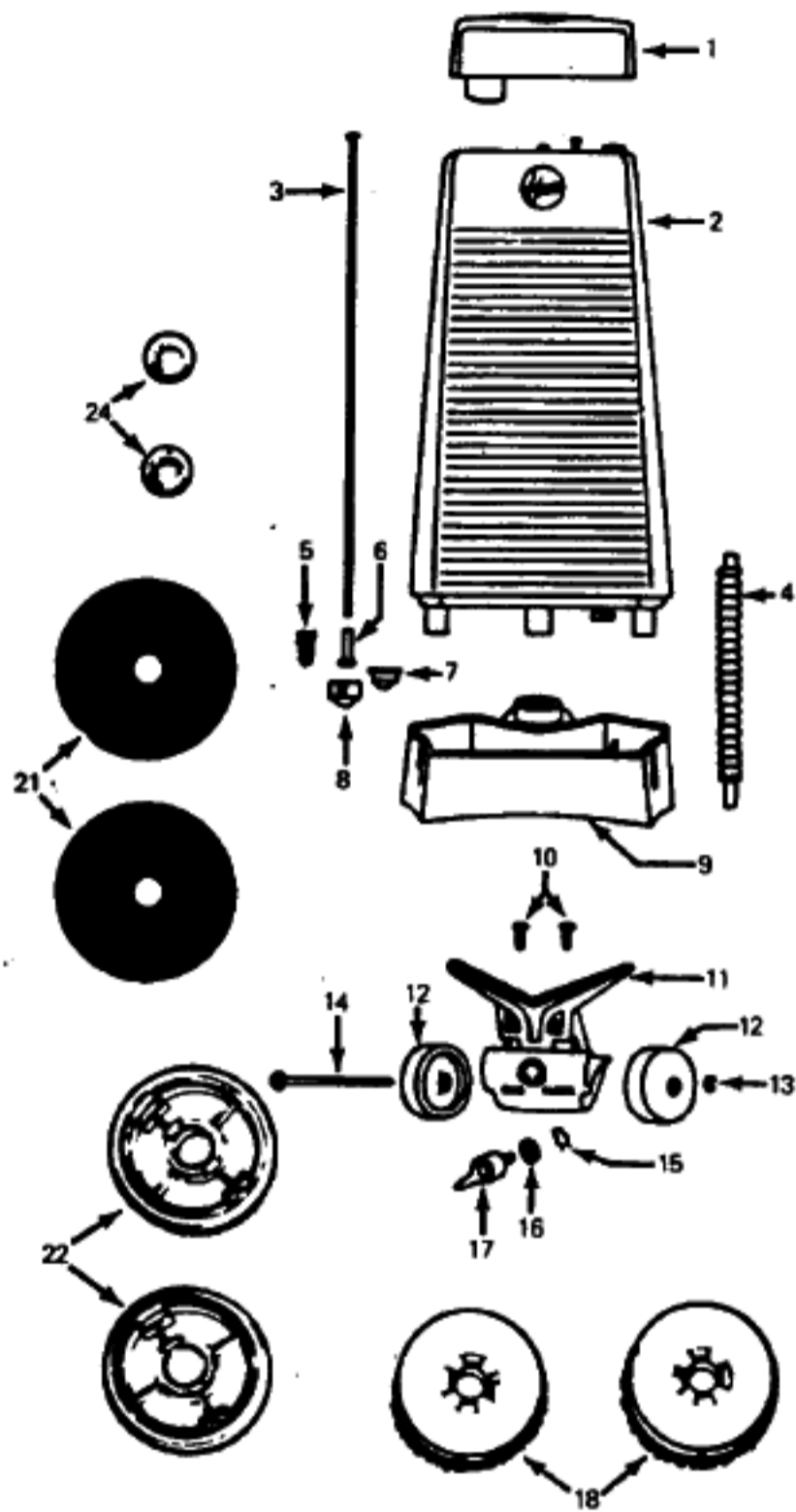
Ref.	Part Description	No.	No.
32	42273011		Gear Housing Comp.
	42273005	+	Gear Housing Comp. - F4005-002
34	17074AG		Hood Adapter
37	12891		Handle Control Lever Spring
38	34207AG		Foot Pad
39	12574	+	Lead Wire by Foot
40	49429	+*	Screw
41	165104		Bail Mtg. Bracket w/Switch
	43138001	+	Bail Mtg. Bracket Only
	165103	+	Bail Mtg. Bracket w/Switch - F4005-002
	36428079		Bail Mtg. Bracket Only - F4005-002
42	21388105	+*	Nut - Special
43	21312761	*	Washer
44	14377	+*	Switch Insulator
45	14360	+*	Eyelet
46	19512AH		Switch
	163676	+	Switch - F4005-002
47	12892	*	Screw - Machine
48	13190	+*	Lead Wire Holder
49	45517	*	Wire Holder
50	46363338		Attach. Cord
	46563010		Attach. Cord - F4005-002
51	35380		Service Plug Assem.
			Not Applicable - F4005-002
52	14504	+	Bail Socket Insulator
53	38541002		Brush Gear

ITEMS NOT ILLUSTRATED

14199	+*	Nut (Switch/Bail Mtg. Bracket) - F4005-002
160548	+*	Screw (Gear Hsg./Ground Wire) - F4005-002
160929	+*	Lockwasher (Gear Hsg./Motor Cap) - F4005-002
161498	+*	Screw (Switch/Bail Mtg. Bracket) - F4005-002
165763	+*	Screw (Mtr. Cap/Ground Wire) - F4005-002
46116001	+	Lead Wire - White (Switch/Mtr. Brg.) - F4005-002
46148001	+	Ground Wire (Gear Hsg./Mtr. Cap) - F4005-002

Tank & Accessories

Models F4005, F4005-001, F4005-101, F4005-002



Ref.	Part Description	No.	No.
1	17084JM	Tank Cap	
2	43632028	Tank Complete	
3	19717	Valve Rod	
4	17473	Distributor Hose	
5	17314	Valve Spring	
6	14341	Valve Rod End	
7	15796	Tank Cap Liner	
8	37911006	Valve Cap	
9	17083JM	+ Tank Support	
	169421FN	+ Tank Support - F4005-001	
	17083JM	+ Tank Support - F4005-101, F4005-002	
10	12956	* Screw	
11	17285BG	+ Wheel Carriage & Distributor	
	36432002	+ Wheel Carriage & Distributor	
	36432017	+ Wheel Carriage & Distributor	
12	32175003	Caster Wheel	
	32175004	+ Caster Wheel - JJ	
13	13306	* Ring	
14	35662AY	+ Wheel Shaft	
15	12979	* Ring	
16	18249	+* Washer	
17	17234DD	+ Valve Body	
18	35613	Polishing Brush	
21	18362	C. & W. Pads - Pair	
22	15116	Rug Shampoo Brush	
24	13131	Plastic Fastener (Black - Prior to Nov. 1978)	
	32172004	Plastic Fastener (White - After Nov. 1978)	

ITEMS NOT ILLUSTRATED

18360	High Lustre Pads
37911052	+ Plug - JM - F4005-001, F4005-1 01, F4005-002