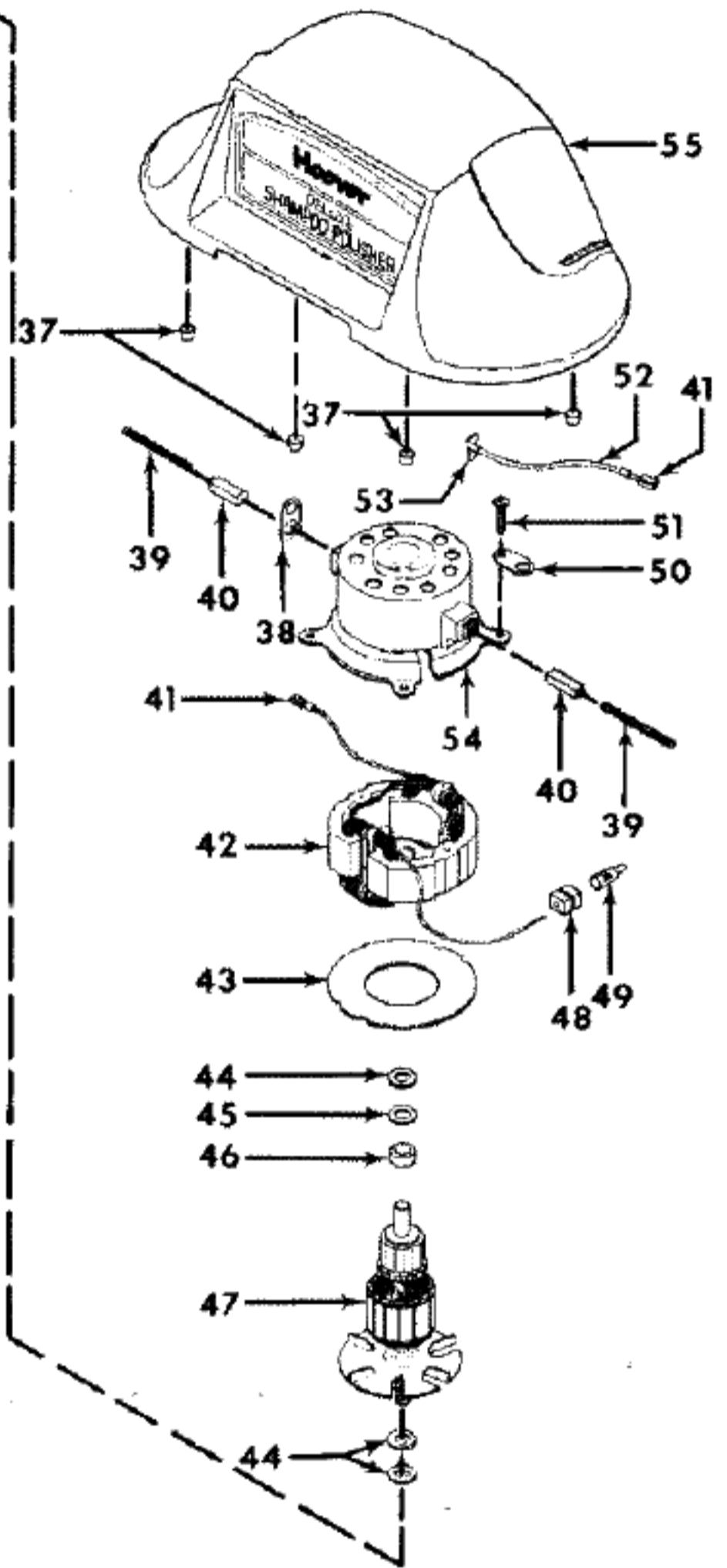
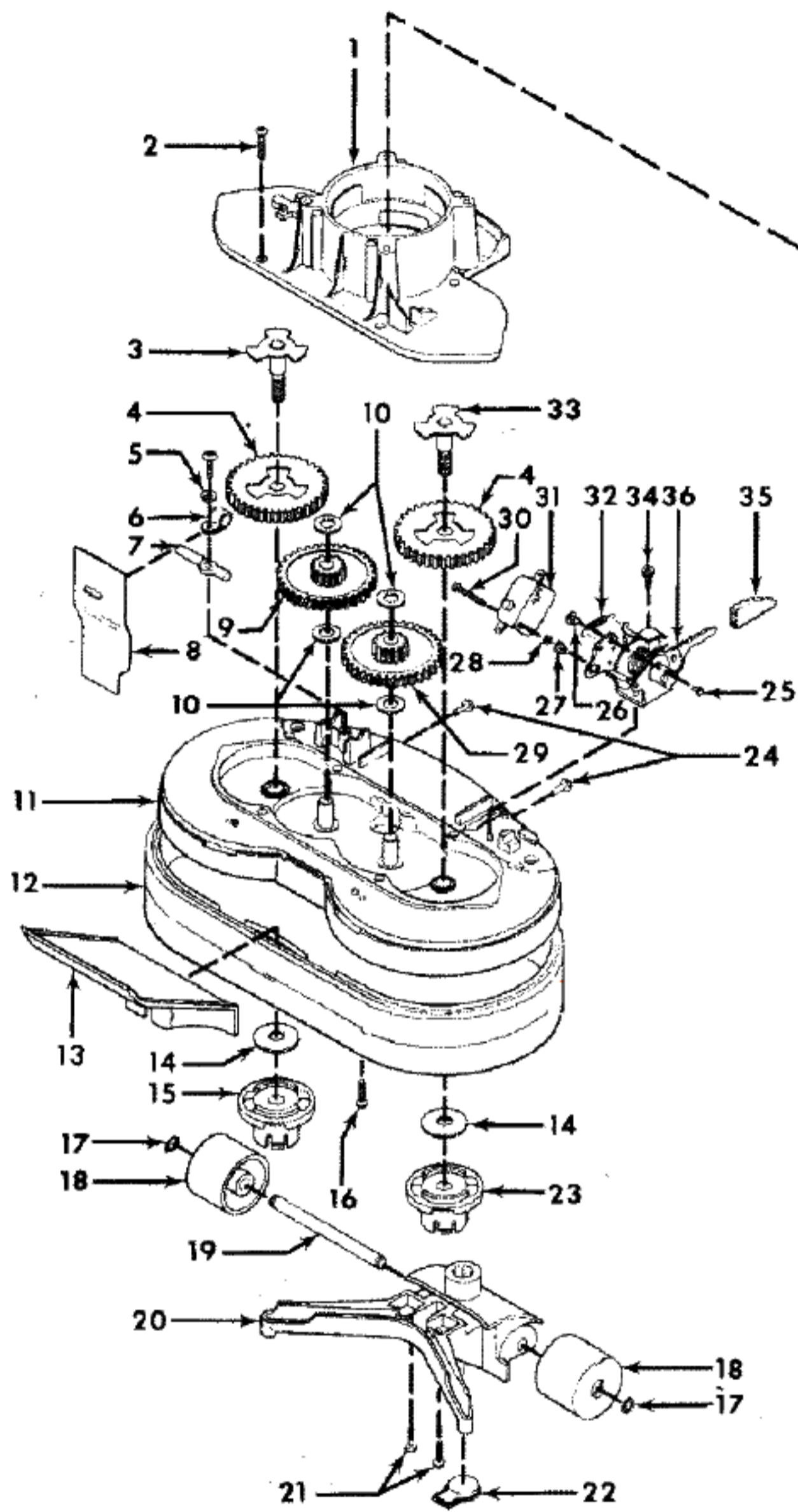


Model Number: F4143---
BOM/Serial #: F4143---
Graphic Title: HANDLE, TANK

Image	Key	Part Number	Description	Substitution	Qty.
1	1	012230JM	HANDLE GRIP-F3B03		1
1	1	39454072	HANDLE GRIP-AG-F2300		1
1	2	46383068	ATTACHMENT CORD-AG		1
1	3	17330JM-	LOWER HANDLE		1
1	3	32284026	HANDLE-LOWER-AX-F430		1
1	4	019717--	VALVE ROD		1
1	5	43632028	TANK-ACN-F4300		1
1	5	43632023	TANK COMPLETE-BZ-F42		1
1	6	017314--	VALVE SPRING 5471		1
1	7	014341--	VALVE ROD END		1
1	8	015796--	TANK CAP LINER-5471		1
1	9	37911006	VALVE CAP		1
1	10	165102JM	BAIL ASSEMBLY	41415002	1
1	10	41415002	EXP-BAIL ARM		1
1	11	36431024	TANK SUPPORT-AG-F430		1
1	11	36431020	TANK SUPPORT - AAM -		1
1	11	017083JM	TANK SUPPORT -		1
1	12	48294AW-	BOLT & NUT	048294AW	2
1	13	017473--	DISTRIBUTOR HOSE 547		1
1	14	162180--	PLUG		1
1	15	048969--	WIRE NUT		1
1	16	161876--	TERMINAL-FLAG		1
1	17	37274054	TANK CAP - AAP - F42		1
1	17	017084JM	TANK CAP		1
1	17	37274056	TANK CAP-AG-F4300		1
1	18	161450JM	TANK CAP LOCK		1
1	18	36143005	TANK CAP LOCK-AG-F43		1
1	18	161450DC	TANK CAP LOCK		1
1	19	162067--	NUT-5471		1
1	20	162069AY	VALVE CONTROL BRACKE		1
1	21	012910--	CORD CLAMP		1
1	22	017252--	RIVET 5479		1
1	23	162068--	CONTROL ROD-5471		1
1	24	017942--	SCREW 5471		1
1	25	43138005	CONTROL HOUSING-AG-F		1

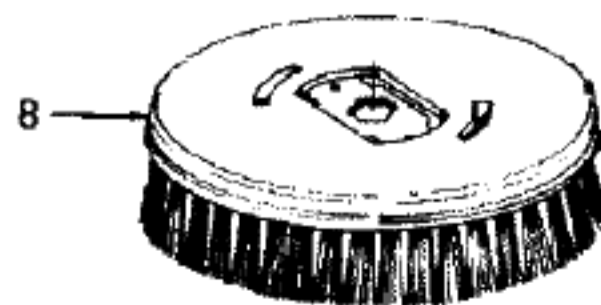
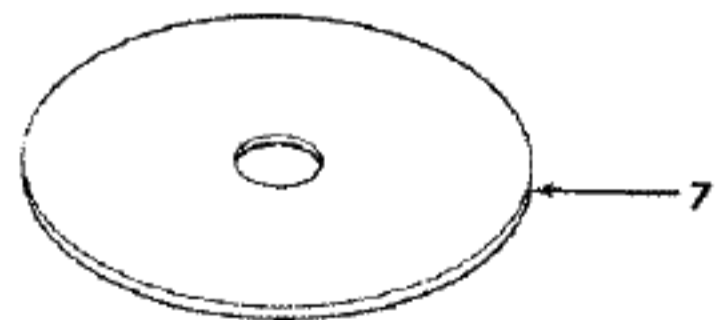
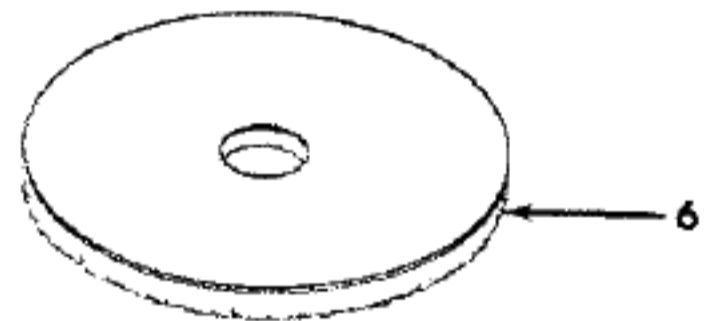
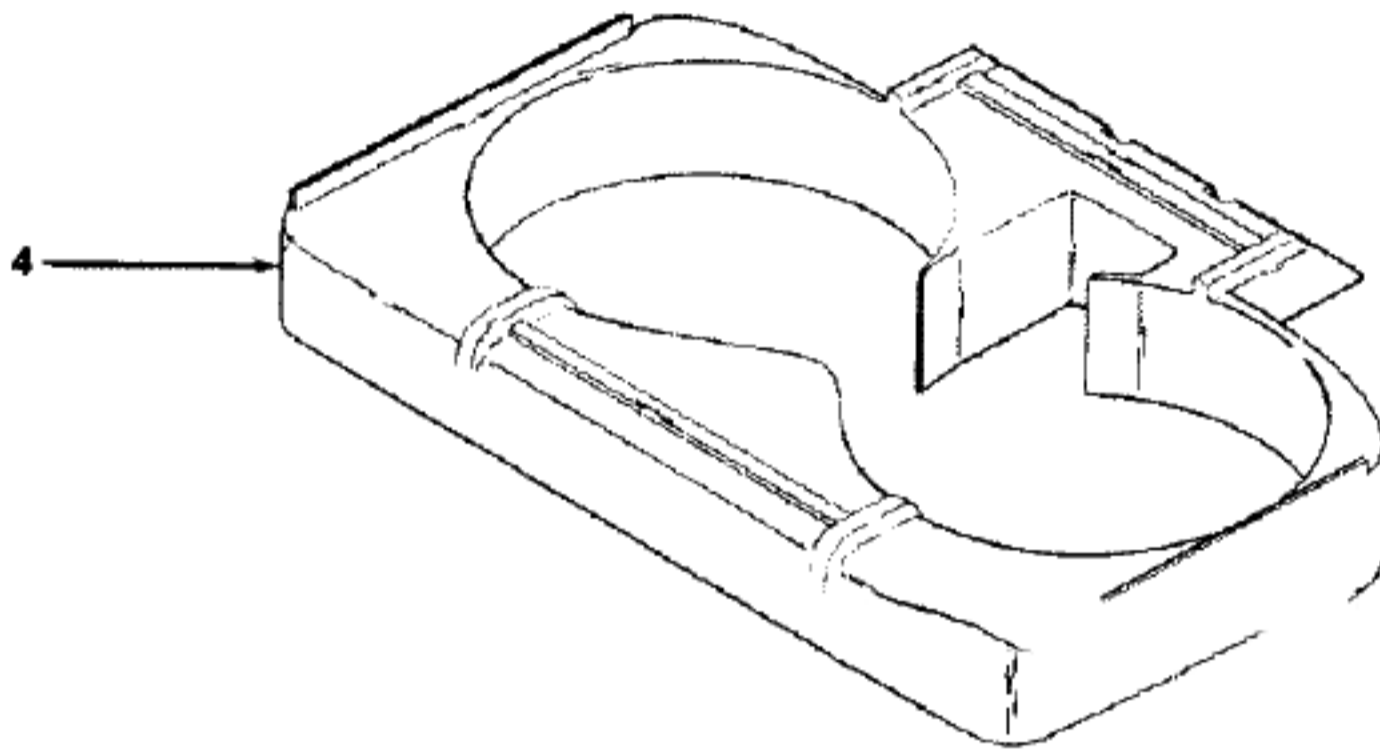
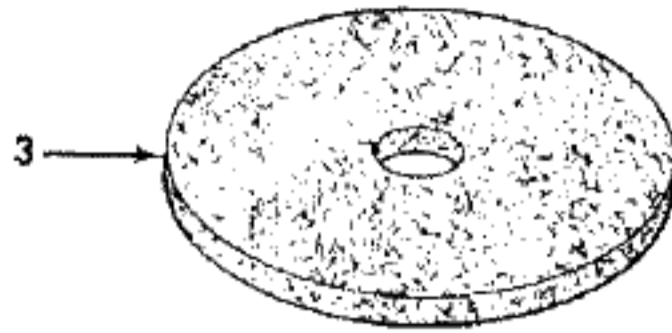
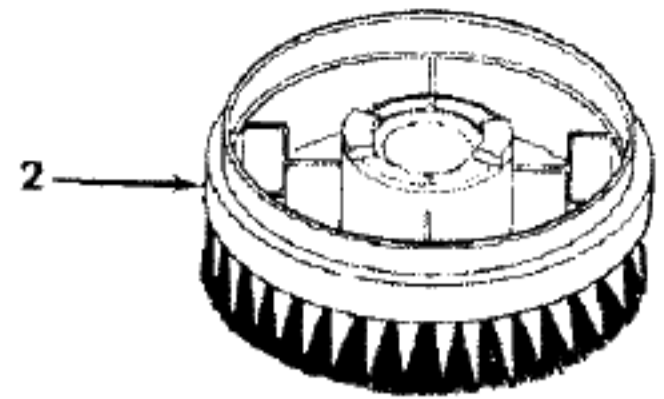
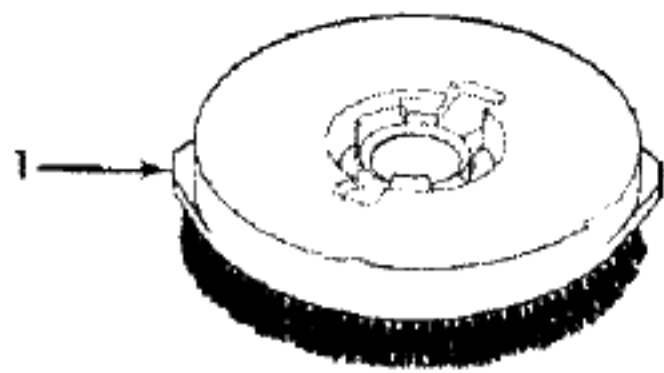
Image	Key	Part Number	Description	Substitution	Qty.
1	26	48648022	UPPER HANDLE-AX-F430		1
1	27	56518060	OWNER MANUAL-F4255/-	56518105	1
1	27	58347001	BTM SUPP-5100 SERIES		1
1	27	56518105	OWNER MANUAL		1
1	27	014504--	BAIL SOCKET INSULATOR		1
1	27	58343007	EXP-END SUPPORT		1



Model Number: F4143---
BOM/Serial #: F4143---
Graphic Title: MOTOR, HOOD, SWITCH, GEARS

Image	Key	Part Number	Description	Substitution	Qty.
1	1	012165--	GEAR COVER ASSEMBLY		1
1	2	049417AZ	SCREW		4
1	3	168405--	BRUSH SHAFT & INSERT RH		1
1	4	38541002	BRUSH GEAR		2
1	5	014378--	SCREW 5140		1
1	6	012910--	CORD CLAMP		1
1	7	049388AY	BAIL SHAFT RH-5350		1
1	8	014367--	CORD INSULATOR-F4251		1
1	9	035675BZ	IDLER GEAR-RH-S486		1
1	10	21312724	WASHER		1
1	11	42273011	GEAR HOUSING COMP -		1
1	12	017292JM	FURNITURE GUARD F400		1
1	13	017074AG	HOOD ADAPTER		1
1	14	21312757	WASHER		2
1	15	017309--	BRUSH CARRIER RH 514		1
1	16	012738--	SCREW		4
1	16	21447020	SCREW		1
1	17	160014--	LOCK RING		2
1	18	38521025	CASTER WHEEL-JJ		2
1	18	38521026	CASTER WHEEL-AG-F425		2
1	19	35662AY-	WHEEL SHAFT		1
1	20	36432017	WHEEL CARRIAGE & DIS		1
1	20	36432015	WHEEL CARRIAGE/DISTR		1
1	21	012956--	SCREW		2
1	22	37911052	PLUG		1
1	23	017308--	BRUSH CARRIER LH 514		1
1	24	049571AY	RIVET		2
1	25	014377--	SWITCH INSULATOR 513		1
1	26	014360--	EYELET 5131		1
1	27	21388105	NUT-SPECIAL		1
1	28	21312761	WASHER		1
1	29	035674--	IDLER GEAR-LEFT HAND		1
1	30	012892--	SCREW-MACHINE		1
1	31	19512AH-	SWITCH	019512AH	1
1	32	012891--	HANDLE CONTROL LEVER		1

Image	Key	Part Number	Description	Substitution	Qty.
1	33	168404--	BRUSH SHAFT & INSERT LH		1
1	34	049429--	SCREW		1
1	35	034207AG	FOOT PAD - F5047		1
1	36	165104--	BAIL MTG BRKT W/SWTC		1
1	37	016125AY	CAPSERT-1060		4
1	38	013190--	LEAD WIRE HOLDER-F42		1
1	39	38311009	MOTOR BRUSH SPRING		2
1	40	47311005	EXP-MOTOR BRUSH & SP		2
1	41	014197--	TERMINAL		1
1	42	023444--	FIELD ASSEMBLY 5350		1
1	43	012653--	BAFFLE		1
1	44	21312720	WASHER		3
1	45	015865--	WASHER		1
1	46	049344--	INSULATOR		1
1	47	023445--	ARMATURE 5350		1
1	48	049379--	LEAD WIRE COLLAR 535		1
1	49	048969--	WIRE NUT		1
1	50	045517--	WIRE HOLDER		1
1	51	017001FW	SCREW		1
1	52	012574--	LEAD WIRE BY		1
1	53	161876--	TERMINAL-FLAG		1
1	54	42197002	MOTOR CAP ASSEMBLY		1
1	55	42271058	HOOD-KH-F4251		1
1	55	42271060	HOOD-JX F4005-101		1
1	55	42271072	HOOD-JP-U4323		1



Model Number: F4143---
BOM/Serial #: F4143---
Graphic Title: BRUSHES_PADS

Image	Key	Part Number	Description	Substitution	Qty.
1	1	48436047	POLISHING/SCRUB BRUS		2
1	1	48436045	POLISHING/SCRUB BRUS		2
1	1	48436008	SCRUBBING BR/BR CARR	48436047	2
1	2	015636--	RUG SHAMPOO BRUSHES-		2
1	2	48437005	RUG SHAMPOO BRUSH-LO		2
1	3	018362--	CLEAN-WAX PADS-PAIR-		1
1	3	013195--	CLEANING & WAXING PA		1
1	4	37275018	RUG ATTACH-AG-F5300		1
1	4	016543JX	RUG SHAMPOO ATTACHME	37275005	1
1	4	37275005	RUG SHAMPOO ATTACH-A		1
1	5	015844--	PAD FASTENERS-3600		2
1	5	32172004	PLASTIC FASTENER-F20		2
1	6	018360--	LAMBS WOOL BUFFING PAIR		1
1	6	013197--	PAD PAIR	12002658	1
1	7	48432014	POLISHING PAD ENV AS		1
1	7	018361--	FELT BUFFING PADS-PAIR		1
1	7	48483003	SOFT CLOTH PA F5350		1
1	8	035613--	POLISHING BRUSH-5350	48436046	1
1	8	48436045	POLISHING/SCRUB BRUS		1
1	9	57333001	RUG & CARPET SHAMPOO		1
1	9	40301200	RUG/CARPET SHAMP(12)		1
1	9	40303032	BARE FLOOR-32OZ		1