

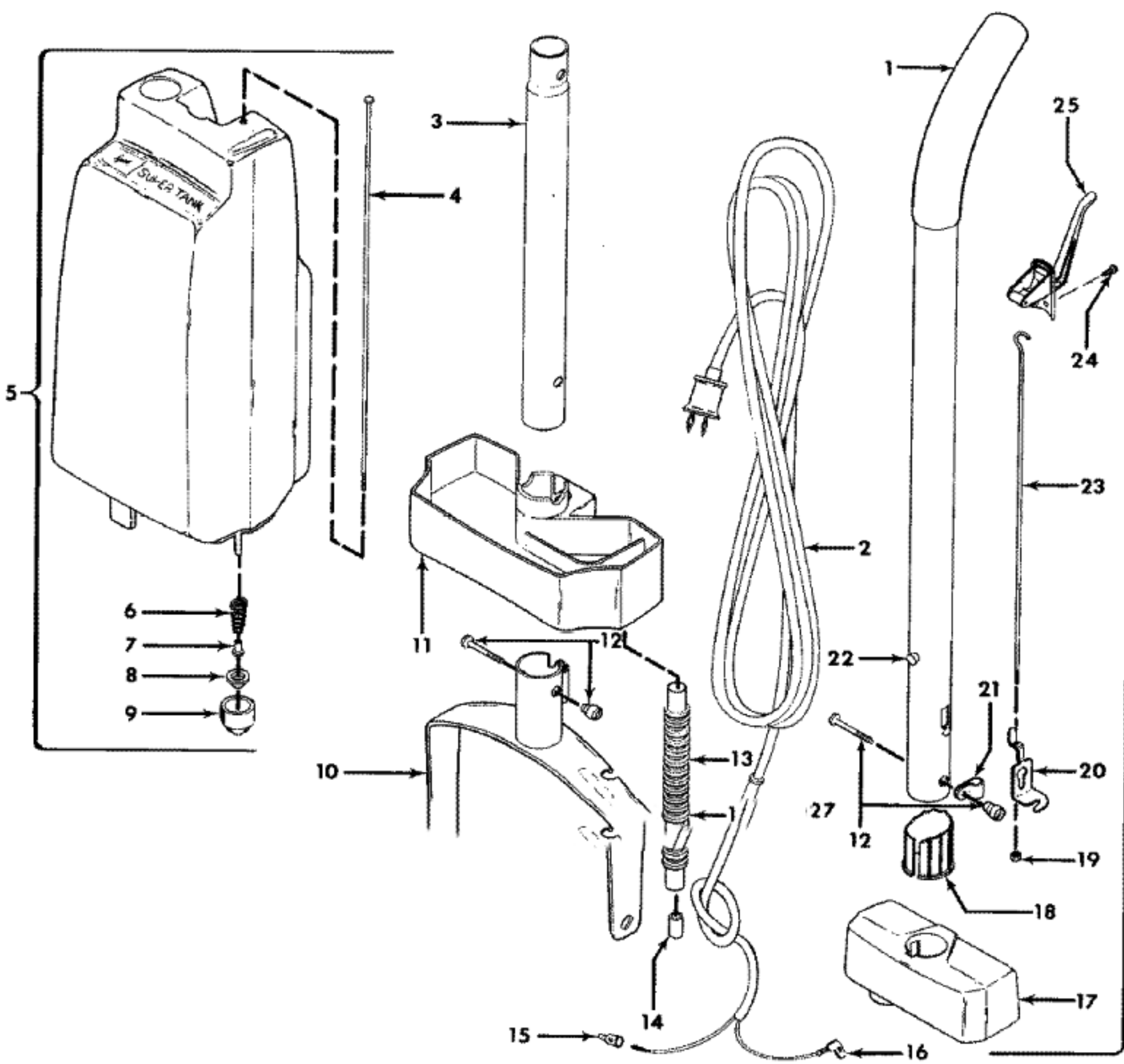
Model Number: F4300---

BOM/Serial #: F4300---

Graphic Title: MOTOR, HOOD, BRUSHCARRIERS, GEARS

Image	Key	Part Number	Description	Substitution	Qty.
1	1	42271073	HOOD COMPLETE - AAM		1
1	1	42271058	HOOD-KH-F4251		1
1	1	42271029	HOOD W/NAMEPLATE-F43		1
1	2	46383068	ATTACHMENT CORD-AG		1
1	2	46363338	EXP-ATTACH. CORD		1
1	3	012227--	TERMINALS-0513		1
1	4	013190--	LEAD WIRE HOLDER-F42		1
1	5	049379--	LEAD WIRE COLLAR 535		2
1	6	47311005	EXP-MOTOR BRUSH & SP		2
1	7	38311009	MOTOR BRUSH SPRING		2
1	8	42197002	MOTOR CAP ASSEMBLY		1
1	9	023444--	FIELD ASSEMBLY 5350		1
1	9	45314011	FIELD ASSEMBLY-FLMAX		1
1	10	012653--	BAFFLE		1
1	11	21312720	WASHER		5
1	12	31148006	SPACER		1
1	13	023445--	ARMATURE 5350		1
1	14	21447007	SCREW		5
1	15	012165--	GEAR COVER ASSEMBLY		1
1	16	168402--	BRUSH SHAFT & INSERT RH		1
1	16	168405--	BRUSH SHAFT & INSERT RH		1
1	17	38541002	BRUSH GEAR		2
1	18	035675BZ	IDLER GEAR-RH-S486		1
1	19	21312724	WASHER		2
1	20	36131030	RETAINER - BZ - F210		1
1	21	42273011	GEAR HOUSING COMP -		1
1	22	31523008	WHEEL SHAFT - AY - F		2
1	23	32175025	WHEEL-AG		2
1	24	049571AY	RIVET		2
1	25	21312788	WASHER - F2101		2
1	26	43486003	DISTRIBUTOR ASSEM -		1
1	27	36231132	FURNITURE GUARD - AA		1
1	27	36231152	FURNITURE GUARD-ACN-		1
1	27	36231131	FURNITURE GUARD - JM		1
1	28	21447020	SCREW		4

Image	Key	Part Number	Description	Substitution	Qty.
1	29	21312757	WASHER		2
1	29	21312756	WASHER		2
1	30	035583--	SHAFT & NUT-RH 5350		1
1	30	017309--	BRUSH CARRIER RH 514		1
1	31	035584--	SHAFT & NUT-LH-5350		1
1	31	017308--	BRUSH CARRIER LH 514		1
1	32	21447003	SCREW		2
1	33	012891--	HANDLE CONTROL LEVER		1
1	34	165104--	BAIL MTG BRKT W/SWTC		1
1	35	21388105	NUT-SPECIAL		1
1	36	21312761	WASHER		1
1	37	012892--	SCREW-MACHINE		1
1	38	19512AH-	SWITCH	019512AH	1
1	39	014360--	EYELET 5131		1
1	40	014377--	SWITCH INSULATOR 513		1
1	41	034207AG	FOOT PAD - F5047		1
1	42	168404--	BRUSH SHAFT & INSERT LH		1
1	42	168403--	BRUSH SHAFT & INSERT LH		1
1	43	035674--	IDLER GEAR-LEFT HAND		1
1	44	045517--	WIRE HOLDER		1
1	45	46116001	LEAD WIRRR HOL		1
1	46	017001FW	SCREW		4
1	47	52313009	HOOD NAMEPLATE-F4300		1



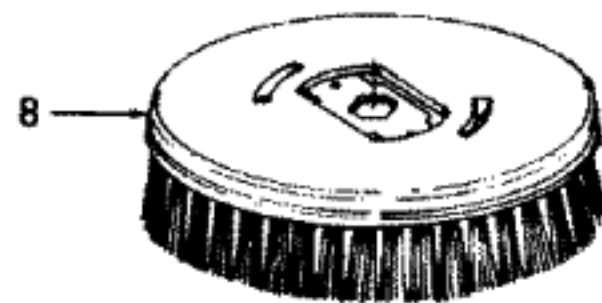
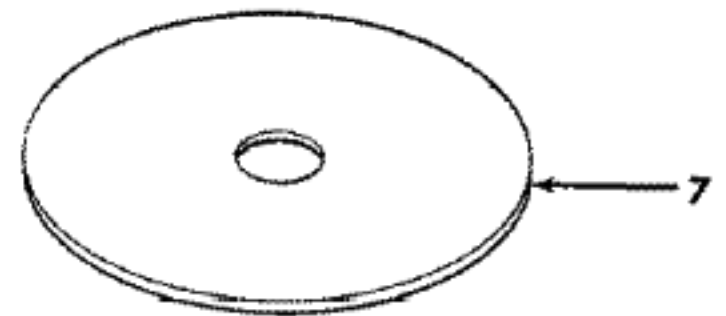
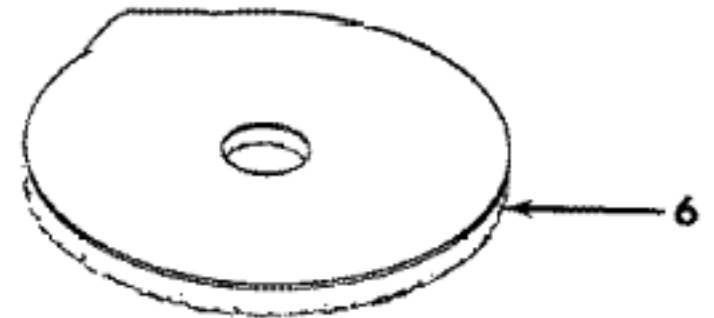
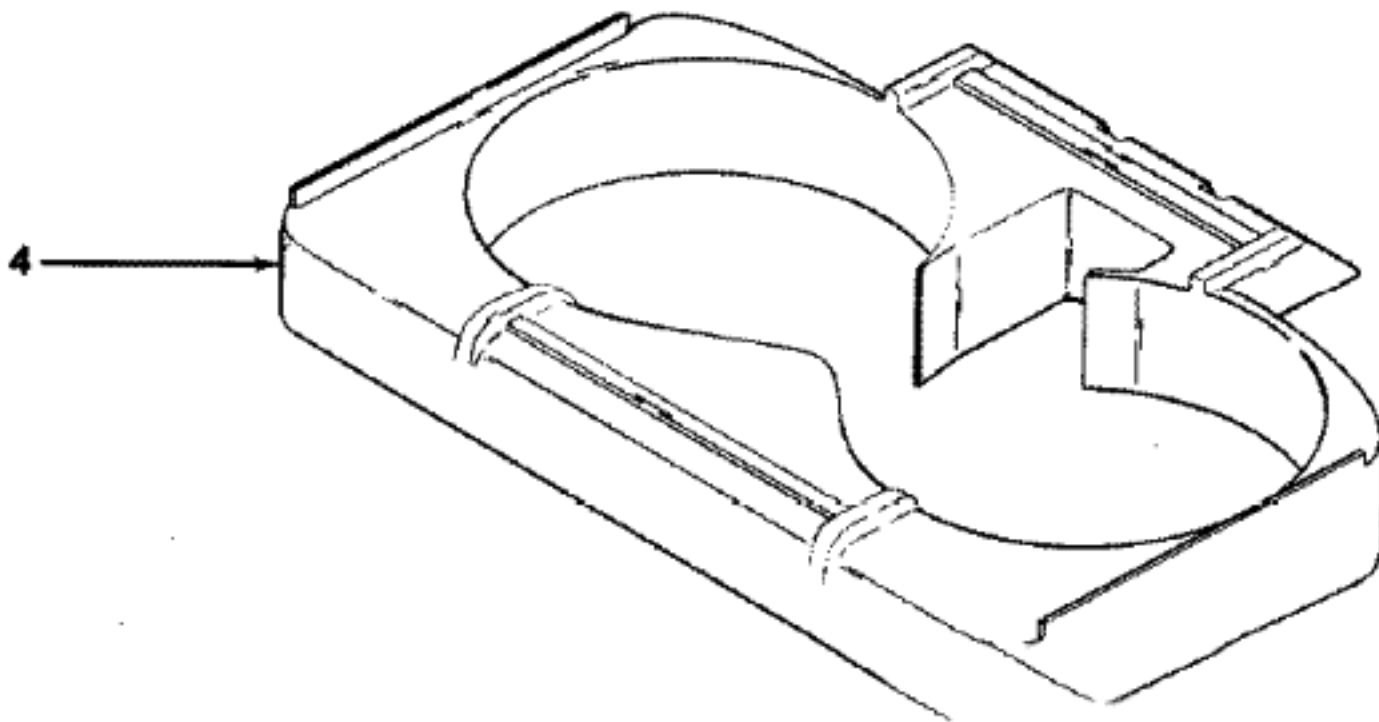
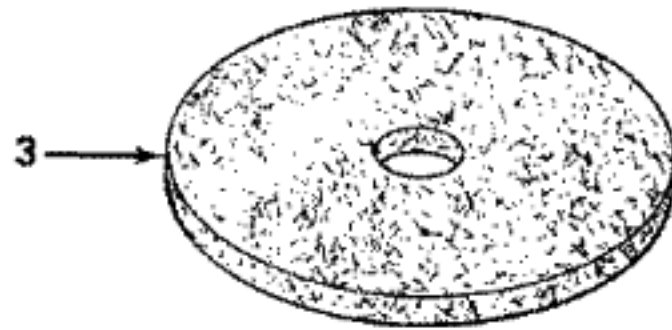
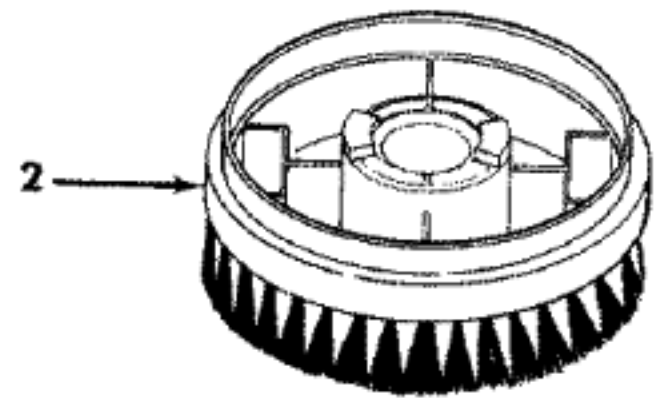
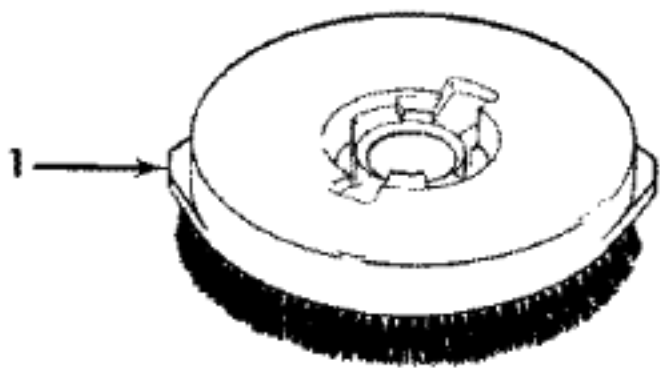
Model Number: F4300---

BOM/Serial #: F4300---

Graphic Title: HANDLE, TANK

Image	Key	Part Number	Description	Substitution	Qty.
1	1	012230JM	HANDLE GRIP-F3B03		1
1	1	39454072	HANDLE GRIP-AG-F2300		1
1	2	46383068	ATTACHMENT CORD-AG		1
1	3	17330JM-	LOWER HANDLE		1
1	3	32284026	HANDLE-LOWER-AX-F430		1
1	4	019717--	VALVE ROD		1
1	5	43632028	TANK-ACN-F4300		1
1	5	43632023	TANK COMPLETE-BZ-F42		1
1	6	017314--	VALVE SPRING 5471		1
1	7	014341--	VALVE ROD END		1
1	8	015796--	TANK CAP LINER-5471		1
1	9	37911006	VALVE CAP		1
1	10	165102JM	BAIL ASSEMBLY	41415002	1
1	10	41415002	EXP-BAIL ARM		1
1	11	36431024	TANK SUPPORT-AG-F430		1
1	11	36431020	TANK SUPPORT - AAM -		1
1	11	017083JM	TANK SUPPORT-F3B03		1
1	12	48294AW-	BOLT & NLT & NUT	AAWAAW	2
1	13	017473--	DISTRIBUTOR HOSE 547		1
1	14	162180--	PLUG		1
1	15	048969--	WIRE NUT		1
1	16	161876--	TERMINAL-FLAG		1
1	17	37274054	TANK CAP - AAP - F42		1
1	17	017084JM	TANK CAP		1
1	17	37274056	TANK CAP-AG-F4300		1
1	18	161450JM	TANK CAP LOCK		1
1	18	36143005	TANK CAP LOCK-AG-F43		1
1	18	161450DC	TANK CAP LOCK		1
1	19	162067--	NUT-5471		1
1	20	162069AY	VALVE CONTROL BRACKE		1
1	21	012910--	CORD CLAMP		1
1	22	017252--	RIVET 5479		1
1	23	162068--	CONTROL ROD-5471		1
1	24	017942--	SCREW 5471		1
1	25	43138005	CONTROL HOUSING-AG-F		1

Image	Key	Part Number	Description	Substitution	Qty.
1	26	48648022	UPPER HANDLE-AX-F430		1
1	27	56518060	OWNER MANUAL-F4255/-	56518105	1
1	27	58347001	BTM SUPP-5100 SERIES		1
1	27	56518105	OWNER MANUAL		1
1	27	014504--	BAIL SOCKET INSULATOR		1
1	27	58343007	EXP-END SUPPORT		1



Model Number: F4300---

BOM/Serial #: F4300---

Graphic Title: BRUSHES_PADS

Image	Key	Part Number	Description	Substitution	Qty.
1	1	48436047	POLISHING/SCRUB BRUS		2
1	1	48436045	POLISHING/SCRUB BRUS		2
1	1	48436008	SCRUBBING BR/BR CARR	48436047	2
1	2	015636--	RUG SHAMPOO BRUSHES-		2
1	2	48437005	RUG SHAMPOO BRUSH-LO		2
1	3	018362--	CLEAN-WAX PADS-PAIR-		1
1	3	013195--	CLEANING & WAXING PA		1
1	4	37275018	RUG ATTACH-AG-F5300		1
1	4	016543JX	RUG SHAMPOO ATTACHME	37275005	1
1	4	37275005	RUG SHAMPOO ATTACH-A		1
1	5	015844--	PAD FASTENERS-3600		2
1	5	32172004	PLASTIC FASTENER-F20		2
1	6	018360--	LAMBS WOOL BUFFING PAIR		1
1	6	013197--	PAD PAIR	12002658	1
1	7	48432014	POLISHING PAD ENV AS		1
1	7	018361--	FELT BUFFING PADS-PAIR		1
1	7	48483003	SOFT CLOTH PADS-PR.-		1
1	8	035613--	POLISHINGHINOS-PR AIR	484046	1
1	8	48436045	POLISHING/SCRUB BRUS		1
1	9	57333001	RUG & CARPET SHAMPOO		1
1	9	40301200	RUG/CARPET SHAMP(12)		1
1	9	40303032	BARE FLOOR-32OZ		1