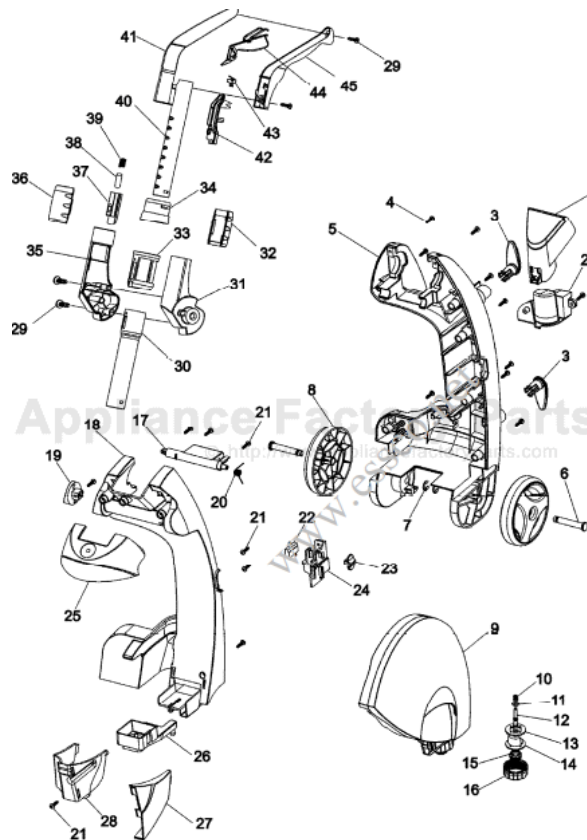


This Owner's Manual is provided and hosted by [Appliance Factory Parts](http://ApplianceFactoryParts.com).



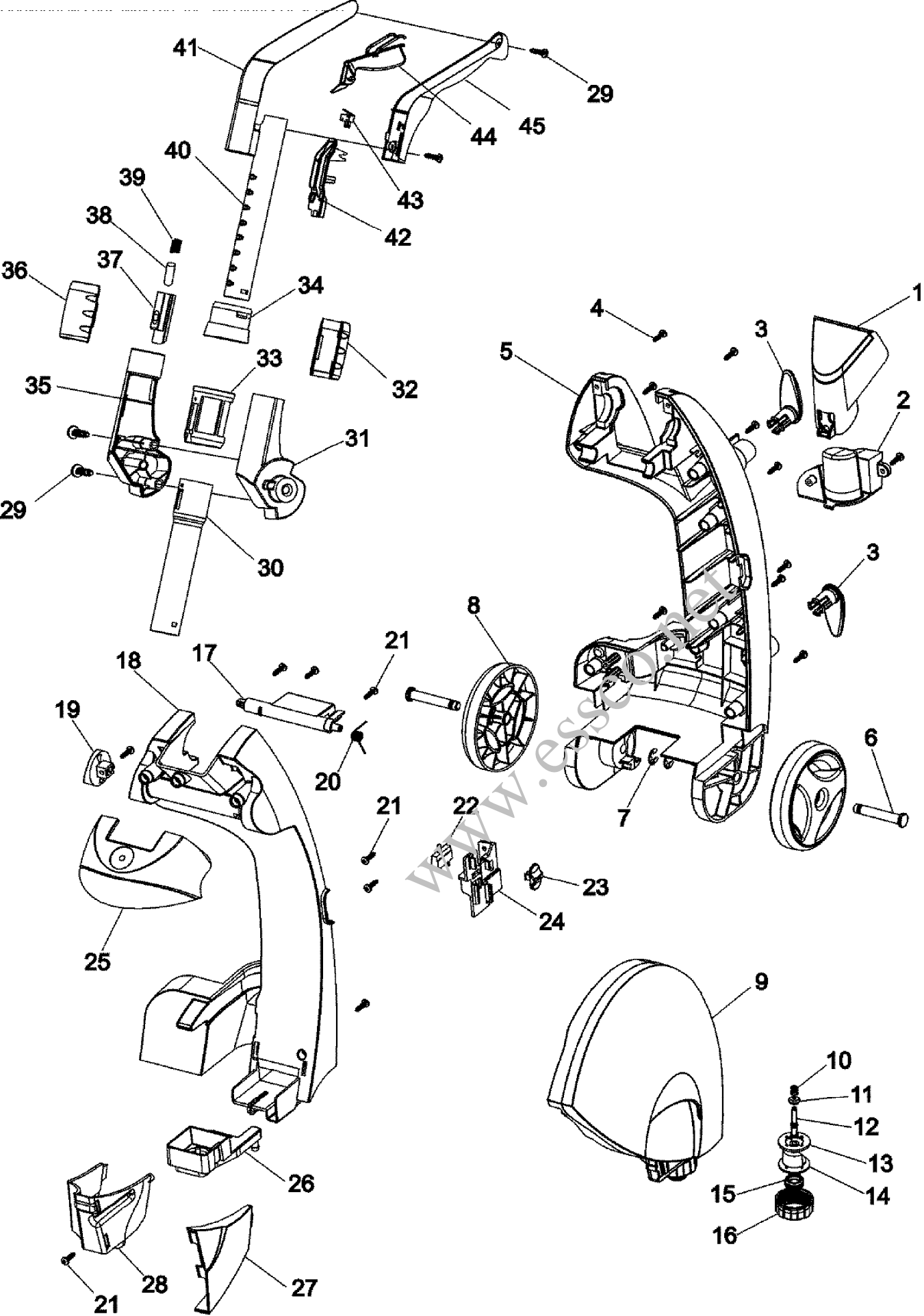
HOOVER F5515 Owner's Manual

[Shop genuine replacement parts for HOOVER F5515](#)



[Find Your HOOVER Vacuum Cleaner Parts - Select From 1455 Models](#)

----- Manual continues below -----

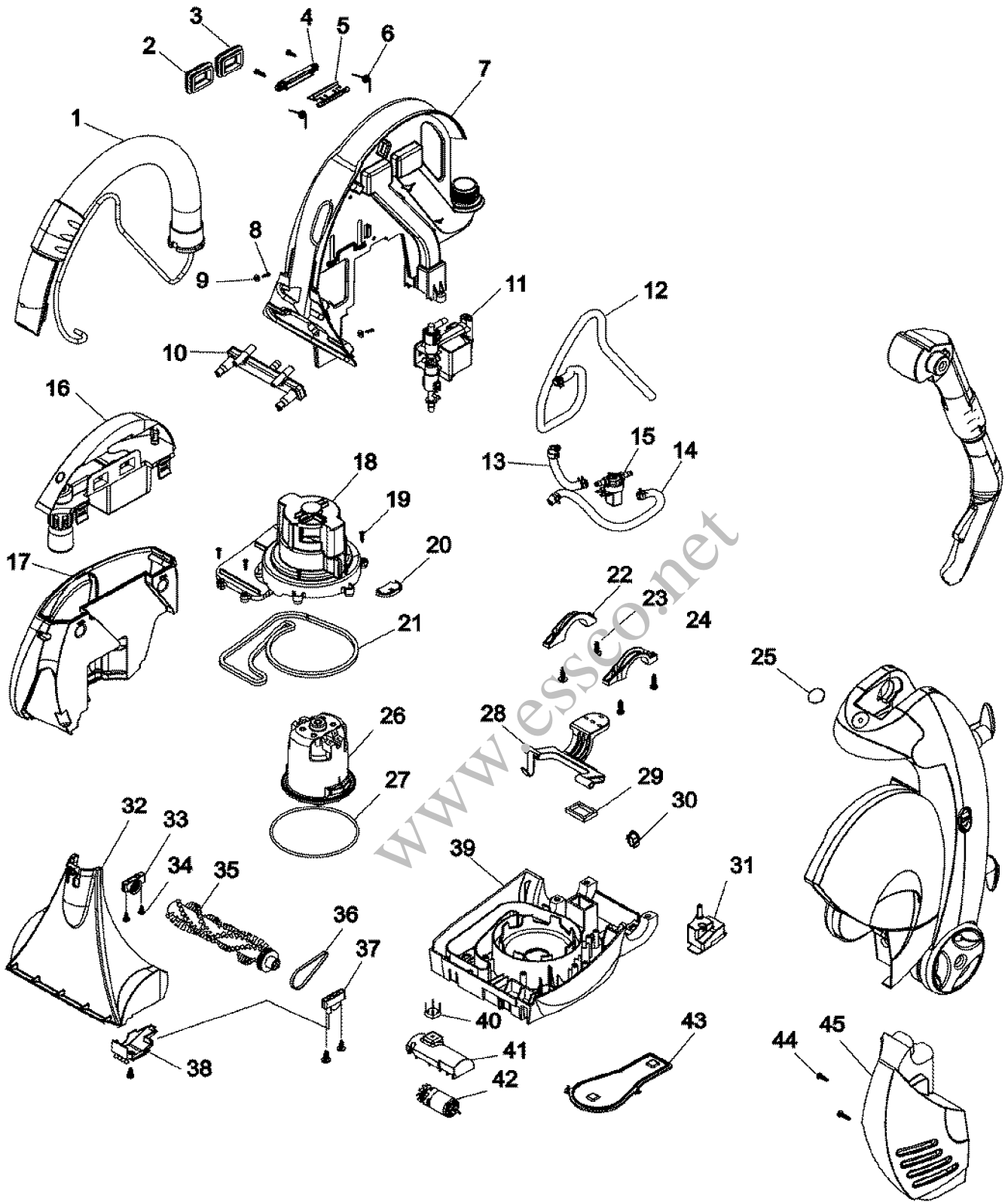


Model Number: F5515---
BOM/Serial #: F5515---
Graphic Title: UPPER HANDLE ASSEMBLY

Image	Key	Part Number	Description	Substitution	Qty.
1	1	93001408	UPHOLSTERY NOZZLE ASSEMBLY		1
1	2	93001415	TOOL HOLDER		1
1	3	93001508	CORD DUMP		2
1	4	93001425	SCREW		10
1	5	93001370	LOWER HANDLE - REAR		1
1	6	93001385	AXLE		2
1	7	93001386	E CLIP		1
1	8	93001384	WHEEL		2
1	9	93001800	SOLUTION TANK ASSEMBLY		1
1	10	93001377	SPRING - SOLUTION TANK		1
1	11	93001376	SEAL - SOLUTION TANK		1
1	12	93001378	POPPET - SOLUTION TANK		1
1	13	93001417	VALVE BASE SEAL		1
1	14	93001412	SOLUTION TANK VALVE BASE		1
1	15	93001379	O RING CAP SEAL-SOLUTION TANK		1
1	16	93001375	CAP - SOLUTION TANK		1
1	17	93001383	RELEASE LEVER LOCK A		1
1	18	93001369	LOWER HANDLE - FRONT		1
1	19	93001435	RELEASE LEVER - FOLDING HANDLE		1
1	20	93001387	SPRING		1
1	21	93001425	SCREW		8
1	22	93001382	AGITATOR MOTOR CIRCUIT BREAKER		1
1	23	93001381	SWITCH BUTTON		1
1	24	93001380	ON OFF SWITCH ASSEMBLY		1
1	25	93001371	CARRY HANDLE		1
1	26	93001434	RESERVOIR ASSEMBLY		1
1	27	93001803	SOLUTION TANK SUPP SHELF-FRONT		1
1	28	93001804	SOLUTION TANK SUPP SHELF-REAR		1
1	29	93001425	SCREW		4
1	30	93001390	LWR TUBE - TELESCOPING HANDLE		1
1	31	93001388	MOUNT-TELESCOPING HANDLE - LH		1
1	32	93001399	CLUTCH HOUSING REAR		1
1	33	93001393	BUSHING - LWR TELESCOPING TUBE		1
1	34	93001392	BUSHING -UPPR TELESCOPING TUBE		1
1	35	93001389	MOUNT-TELESCOPING HANDLE - RH		1

Image	Key	Part Number	Description	Substitution	Qty.
1	36	93001398	CLUTCH HOUSING FRONT		1
1	37	93001394	TUBE LOCK		1
1	38	93001509	CLUTCH SLIDE		1
1	39	93001395	SPRING		1
1	40	93001391	UPPR TUBE - TELESCOPING HANDLE		1
1	41	93001402	GRIP - LH		1
1	42	93001401	SWITCH AND TRIGGER SUPPORT		1
1	43	93001405	MICROSWITCH - ACTIVATE VALVE		1
1	44	93001404	TRIGGER		1
1	45	93001403	GRIP - RH		1

www.essco.net



Model Number: F5515---
BOM/Serial #: F5515---
Graphic Title: LOWER MAIN ASSEMBLY

Image	Key	Part Number	Description	Substitution	Qty.
1	1	93001349	HOSE ASSEMBLY		1
1	2	93001357	RECOV TANK OUTLET SEAL W/SCRN		1
1	3	93001356	RECOVERY TANK INLET SEAL		1
1	4	93001420	RECOVERY TANK LATCH RETAINER		1
1	4	93001423	SCREW		2
1	5	93001418	RECOVERY TANK LATCH		1
1	6	93001419	SPRING		2
1	7	93001433	SPINE ASSEMBLY		1
1	8	93001423	SCREW		2
1	9	93001430	WASHER		2
1	10	93001343	FLOOR NOZZLE SPRAY JET ASSEM		1
1	11	93001355	PUMP - SOLENOID		1
1	12	93001502	SOLUTION, TUBING		1
1	12	93001506	TUBING CLAMP		2
1	13	93001503	SOLUTION, TUBING		1
1	13	93001505	TUBING CLAMP		1
1	13	93001506	TUBING CLAMP		1
1	14	93001506	TUBING CLAMP		2
1	14	93001504	SOLUTION, TUBING		1
1	15	93001363	SOLENIOD VALVE-FLUID PRESSURE		1
1	16	93001407	RECOVERY TANK BUCKLE		2
1	16	93001802	RECOVERY TANK LID ASSEMBLY		1
1	17	93001801	RECOVERY TANK ASSEMBLY		1
1	18	93001359	MOTOR COVER		1
1	19	93001423	SCREW		5
1	20	93001421	SLIDE SEAL		1
1	21	93001368	MOTOR COVER SEAL		1
1	22	93001360	TRUNNION COVER RHS		1
1	23	93001425	SCREW		4
1	24	93001361	TRUNNION COVER LHS		1
1	25	93001429	HOOVER EMBLEM		1
1	26	93001365	MOTOR FAN ASSEMBLY		1
1	27	93001507	MOTOR SEAL (O-RING)		1
1	28	93001362	HANDLE RELEASE PEDAL		1
1	29	93001358	RECOVERY DUCT - MAIN BODY SEAL		1

Image	Key	Part Number	Description	Substitution	Qty.
1	30	93001428	CORD RETAINER		1
1	31	93001414	HANDLE UPRIGHT SWITCH ASSEMBLY		1
1	32	93001799	FLOOR NOZZLE ASSEMBLY		1
1	33	93001346	NON BELT SIDE SUPPORT ASSEM		1
1	34	93001424	SCREW - AGITATOR SUPP ASSEM		5
1	35	93001344	AGITATOR ASSEMBLY		1
1	36	93001347	AGITATOR TIMING BELT		1
1	37	93001345	BELT SIDE BUSHING SUPP ASSEM		1
1	38	93001348	AGITATOR BELT COVER		1
1	39	93001424	SCREW - AGITATOR SUPP ASSEM		5
1	39	93001342	MAIN BODY&DUCT COVER ASSM		1
1	40	93001367	RECTIFIER		1
1	41	93001411	COVER - AGITATOR MOTOR		1
1	41	93001422	SCREW		2
1	42	93001362	HANDLE RELEASE PEDAL		1
1	43	93001416	AIR DUCT COVER		1
1	44	93001425	SCREW		2
1	45	93001805	SIDE COVER		1
1	46	93001438	OWNER MANUAL-MODELS W/PHT		1
1	46	93001409	SOLUTION TUBING ASSEMBLY		1
1	47	93001436	POWERED HAND TOOL		1
1	48	40322016	SPOT/STAIN-16OZ (12)		1
1	48	40325032	PET STAIN/ODOR-32(6)		1