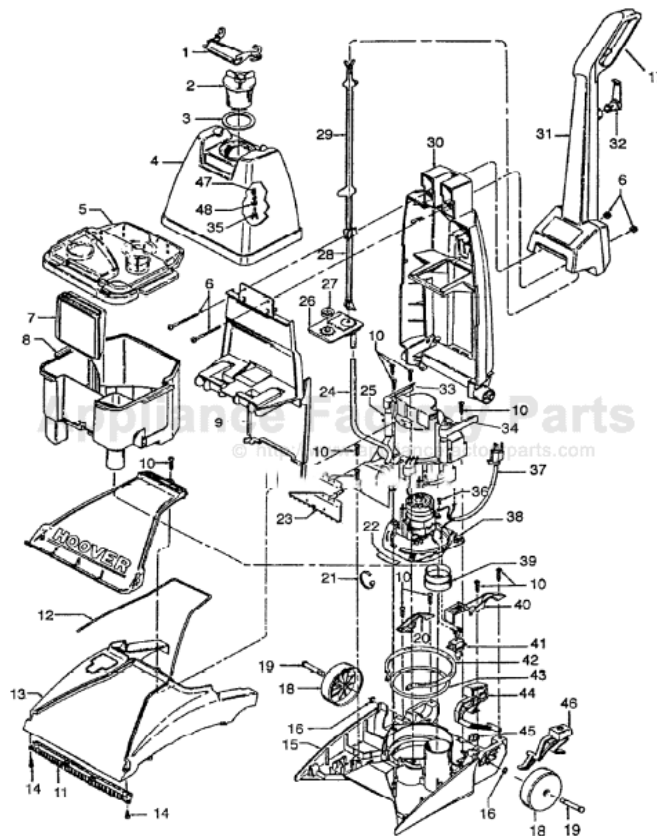


This Owner's Manual is provided and hosted by [Appliance Factory Parts](http://Appliance Factory Parts).



# HOOVER F5810 Owner's Manual

[Shop genuine replacement parts for HOOVER F5810](#)

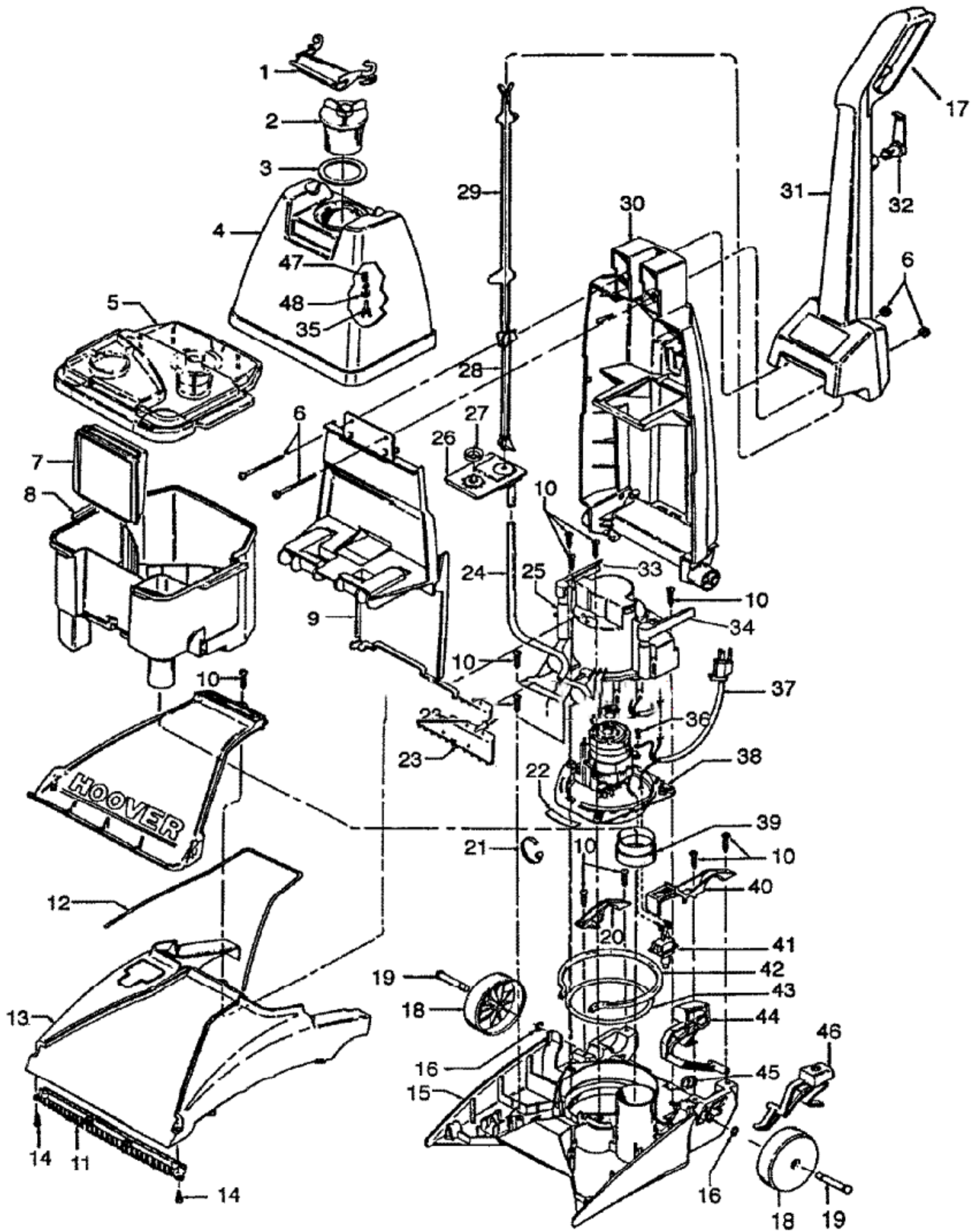


[Find Your HOOVER Vacuum Cleaner Parts - Select From 1456 Models](#)

----- Manual continues below part list -----

## Available Replacement Parts for HOOVER F5810

<a href="#">H-38784062</a>	Gasket .
<a href="#">H-38777008</a>	Recovery Tank without lid .



Model Number: F5810---

BOM/Serial #: F5810---

Graphic Title: COMPLETE ASSEMBLY

Image	Key	Part Number	Description	Substitution	Qty.
1	1	90001213	SOLUTION TANK HANDLE-AGS		1
1	2	42272002	SOLUTION TANK CAP ASSEM	12002693	1
1	3	38784062	GASKET		1
1	4	90001215	SOLUTION TANK ASSEMBLY	42272134	1
1	5	42272111	RECOVERY TANK LID		1
1	6	40201145	HARDWARE ASSEMBLY		1
1	7	90001217	DUCT-AJA		1
1	8	90001218	RECOVERY TANK-AJA		1
1	9	90001219	HANDLE COVER-AGS		1
1	10	21447020	SCREW		10
1	11	48447002	BRUSH BACK ASSM-DUAL		1
1	12	38781037	SEAL (NOZ. FRT. PLAT		1
1	13	90001220	HOOD		1
1	14	21447228	SCREW-SELF-TAPPING		2
1	15	90001221	MAIN BODY-AGS		1
1	16	160017--	LOCK RING		2
1	17	90001230	HANDLE LEVER GUARD-AGS		1
1	18	90001222	REAR WHEEL JOINT		2
1	19	32434007	REAR AXLE		2
1	20	90001223	TRUNNION COVER R.H.-AGS		1
1	21	27479307	CABLE TIE		1
1	22	34122021	MOTOR HOUSING SEAL		1
1	23	43411006	DISTRIBUTOR ASSEM.		1
1	24	40309002	SERVICE TUBING - STE		1
1	25	40309005	SERVICE KIT-MOTOR/DIST. COVER		1
1	26	90001225	RESEVOIR ASSEMBLY		1
1	27	38784060	SOLUTION TANK SEAL		1
1	28	38458033	CONTROL ROD - LOWER		1
1	29	38458031	CONTROL ROD - UPPER		1
1	30	92001073	LOWER HANDLE ASSEM COMP-AGS		1
1	31	92001072	UPPER HANDLE ASSEMBLY-AGS		1
1	32	39442048	CORD WRAP-AGS		1
1	33	90001228	TANK REL LATCH R.H.-AGS		1
1	34	90001229	TANK REL LATCH L.H.-AGS		1
1	35	38717009	VALVE STEM		1

Image	Key	Part Number	Description	Substitution	Qty.
1	36	21447232	SCREW-SELF TAPPING-F		2
1	37	46583044	CORD-STEAM VAC-33'		1
1	38	43576203	MOTOR-SV-HOOVER(NEW)		1
1	39	38784063	STANDPIPE SEAL		1
1	40	90001224	TRUNNION CVOER-L.H.-AGS		1
1	41	90001106	SWITCH		1
1	42	38781039	MOTOR BASE SEAL		1
1	43	38784064	MOTOR INTAKE SEAL		1
1	44	38458042	HANDLE RELEASE LEVER		1
1	45	90001184	CORD RETAINER-AGS		1
1	46	38434025	SWITCH ACTUATOR LEVER		1
1	47	38312014	SPRING		1
1	48	38784061	VALVE SEAL		1