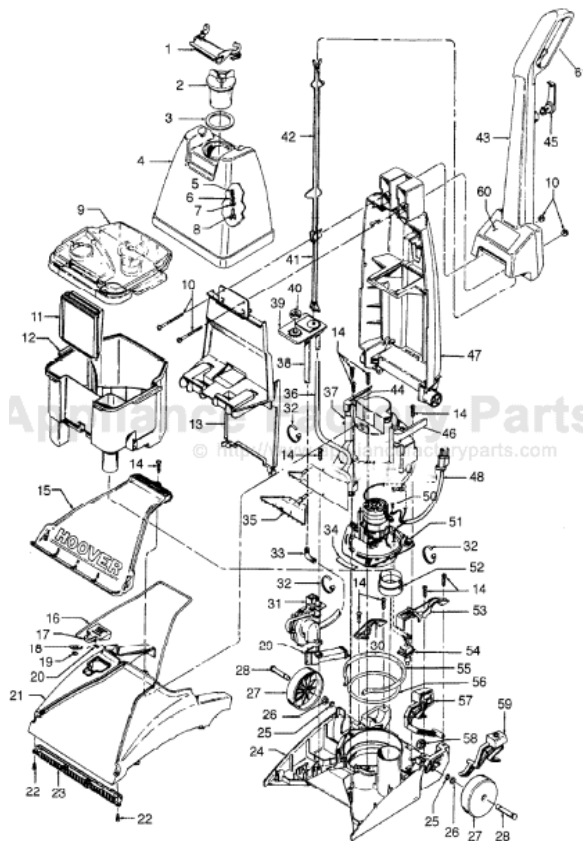


This Owner's Manual is provided and hosted by [Appliance Factory Parts](http://Appliance Factory Parts).



# HOOVER F5824-900 Owner's Manual

[Shop genuine replacement parts for HOOVER  
F5824-900](#)

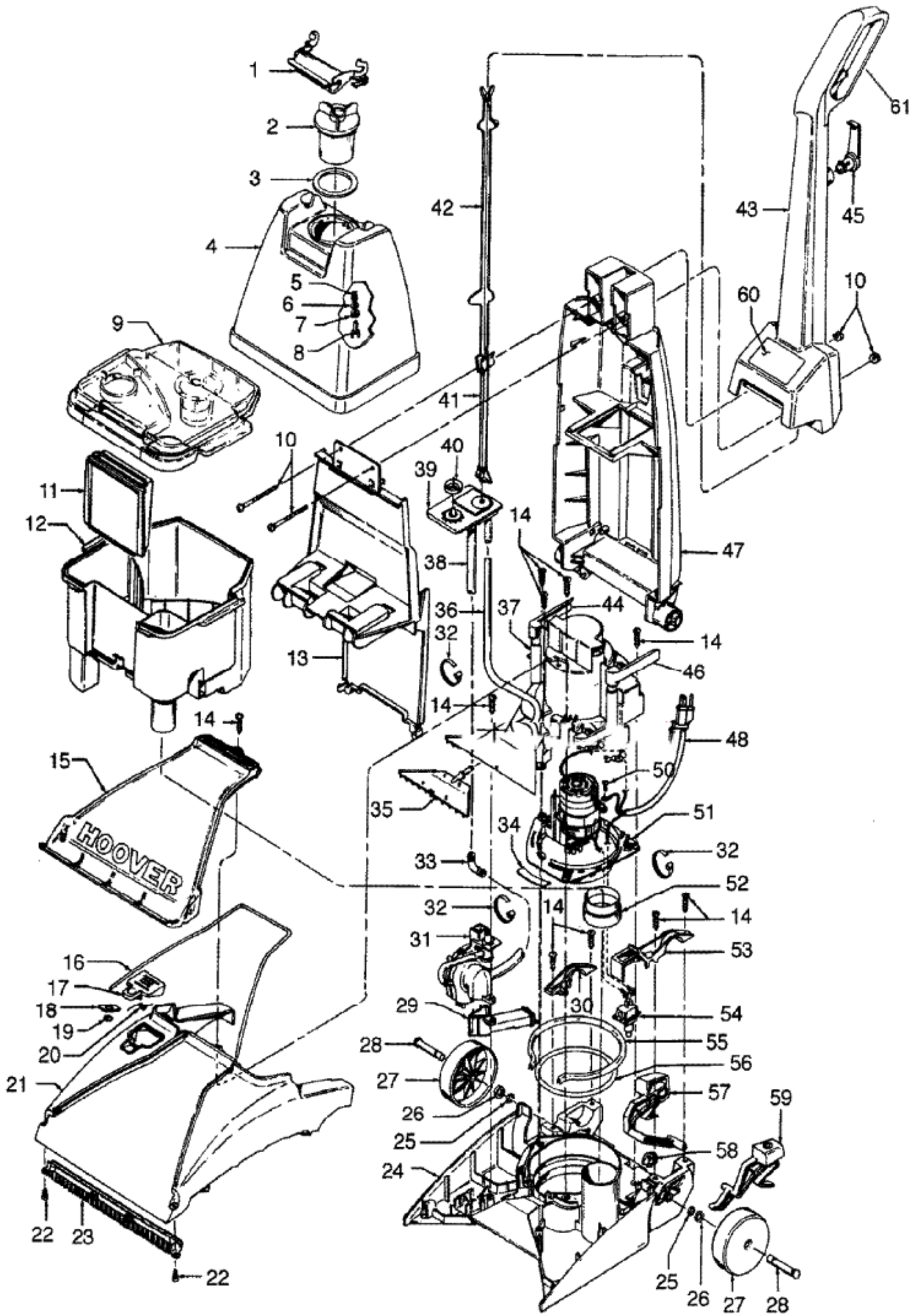


[Find Your HOOVER Vacuum Cleaner Parts - Select From 1456 Models](#)

----- Manual continues below part list -----

## Available Replacement Parts for HOOVER F5824-900

<a href="#">H-38784062</a>	Gasket .
<a href="#">H-38777008</a>	Recovery Tank without lid .
<a href="#">H-38762010</a>	FILTER, EXTRACTOR FOAM



**Model Number: F5824900**

**BOM/Serial #: F5824900**

**Graphic Title: CARPET CLEANER COMPLETE**

Image	Key	Part Number	Description	Substitution	Qty.
1	1	39457016	SOLUTION TANK HANDLE		1
1	2	42272002	SOLUTION TANK CAP ASSEM	12002693	1
1	3	38784062	GASKET		1
1	4	42272134	SOLUTION TANK		1
1	5	38312014	SPRING		1
1	6	21312518	WASHER-BRASS		1
1	7	38784061	VALVE SEAL		1
1	8	38717009	VALVE STEM		1
1	9	42272111	RECOVERY TANK LID		1
1	10	40201149	HANDLE HARDWARE ASSEM		1
1	11	38661003	DUCT		1
1	12	38777081	RECOVERY TANK-SERVICE		1
1	13	37276001	HANDLE COVER		1
1	14	21447020	SCREW		10
1	15	-----	NOT REQUIRED PART OR SEE NOTE		1
1	16	38781037	SEAL (NOZ. FRT. PLAT		1
1	17	37257140	DOOR ASSEM. - F5827		1
1	17	37257104	DOOR-F5817		1
1	17	37257103	DOOR ASSEM - F5825		1
1	17	37257102	DOOR ASSEM - F5815		1
1	18	38783019	SEAL		1
1	19	21362006	SPEED NUT		1
1	20	38351017	SPRING -ACCESS DOOR		1
1	21	37271033	HOOD ASSEM - F5827	37271031	1
1	21	37271031	HOOD - F5825		1
1	21	37271030	HOOD - F5815		1
1	22	21447228	SCREW-SELF-TAPPING		2
1	23	48443005	BRUSH BACK ASSEM.		1
1	24	37272081	MAIN BODY - F5815/25		1
1	24	37272095	MAIN BODY		1
1	25	160017--	LOCK RING		2
1	26	-----	NOT REQUIRED PART OR SEE NOTE		1
1	27	38522076	REAR WHEEL		2
1	28	32434007	REAR AXLE		2
1	29	38664001	ELBOW DUCT		1

Image	Key	Part Number	Description	Substitution	Qty.
1	30	36131085	TRUNION COVER - RH		1
1	31	43582003	PUMP ASSEMBLY COMPLETE	90001326	1
1	32	27479307	CABLE TIE		3
1	33	33241001	ELBOW CONNECTOR		1
1	34	34122021	MOTOR HOUSING SEAL		1
1	35	43411006	DISTRIBUTOR ASSEM.		1
1	36	40309002	SERVICE TUBING - STE		1
1	37	40309005	SERVICE KIT-MOTOR/DIST. COVER		1
1	38	40309002	SERVICE TUBING - STE		1
1	39	43516008	RESERVOIR ASSEM-F581		1
1	40	38784060	SOLUTION TANK SEAL		1
1	41	38458033	CONTROL ROD - LOWER		1
1	42	38458031	CONTROL ROD - UPPER		1
1	43	48663170	UPPER HANDLE		1
1	44	36151019	TANK RELEASE LATCH-R		1
1	45	39442041	CORD WRAP		1
1	46	36151029	TANK RELEASE LATCH-L		1
1	47	39466033	LOWER HANDLE		1
1	47	39466030	LOWER HANDLE COMP-ABU		1
1	48	46583012	ATTACH. CORD-31'-F58		1
1	48	46583044	CORD-STEAM VAC	93002227	1
1	49	012227--	TERMINALS-0513		1
1	50	21447240	SCREW-TAPPING		1
1	51	40309009	MOTOR KIT-WV		1
1	52	38784063	STANDPIPE SEAL		1
1	53	36131086	TRUNION COVER - LH		1
1	54	28218048	SWITCH-F5805/15/25	90001106	1
1	55	38781039	MOTOR BASE SEAL		1
1	56	38784064	MOTOR INTAKE SEAL		1
1	57	38458040	HANDLE RELEASE LEVER SERVICE		1
1	57	38458042	HANDLE RELEASE LEVER		1
1	58	36172016	CORD RETAINER	90001281	1
1	59	38434025	SWITCH ACTUATOR LEVER		1
1	60	52313015	NAMEPLATE-F5827		1
1	60	52313013	NAMEPLATE		1
1	60	52313014	NAMEPLATE-F5817		1
1	61	39458005	HANDLE LEVER GUARD-ABU		1
1	92	37257206	DOOR ASSEM-F5831-900		1

Image	Key	Part Number	Description	Substitution	Qty.
1	92	37271034	HOOD W/DOOR OPENING		1
1	92	52313110	NAMEPLATE-F5832910		1
1	92	48439002	TURBINE NOZZLE W/REL		1
1	99	40302016	PRE-CLEANER-16OZ(12)	40322016	1
1	99	0M100168	SOLUTION TUBING ASSM		1
1	99	57337216	BARE FLOOR SOLUTION-		1
1	99	38784070	SEAL-FL. RET.-STEAM		1
1	99	36433092	HOSE CADDY - F5825		1
1	99	43412003	SPRAYER - F5825		1
1	99	38719027	FLOAT RETAINER-STEAM		1
1	99	48417003	BARE FLOOR CLEANING	90001331	1
1	99	40309044	HOSE/NOZ BODY/TANK		1
1	99	43611041	TANK FILTER		1
1	99	43538001	FLOAT ASSEMBLY		1
1	99	40201142	WALL RACK HDWE		1
1	900	46583066	CORD(AMETEK MTR)		1
1	900	43576212	MOTOR-SV-AMETEK		1
1	900	43576203	MOTOR-SV-HOOVER(NEW)		1
1	996	58346006	MID SUPPORT		1
1	996	37257277	DOOR-AG-F5826-900		1
1	996	37271071	HOOD-AG-F5826-96		1
1	996	58461019	FRONT/REAR SUPPORT		1
1	996	58332025	FRONT/BOTTOM SUPPORT		1
1	996	58332024	BOTTOM REAR SUPPORT		1
1	996	58315006	REAR SUPPORT		1
1	996	39442039	CORD WRAP-F5853-900		1
1	996	56518091	OWNER MANUAL-F5805/1		1
1	996	48663181	UPPER HANDLE-F5833-9	90001257	1
1	996	48447002	BRUSH BACK ASSM-DUAL		1
1	996	40309007	HOSE ASSEM W/NOZ BOD		1
1	996	41426030	LOWER RACK ASSEM.-F5		1
1	996	57333016	CARPET CLNG SOLUTION 16OZ	57333023	1