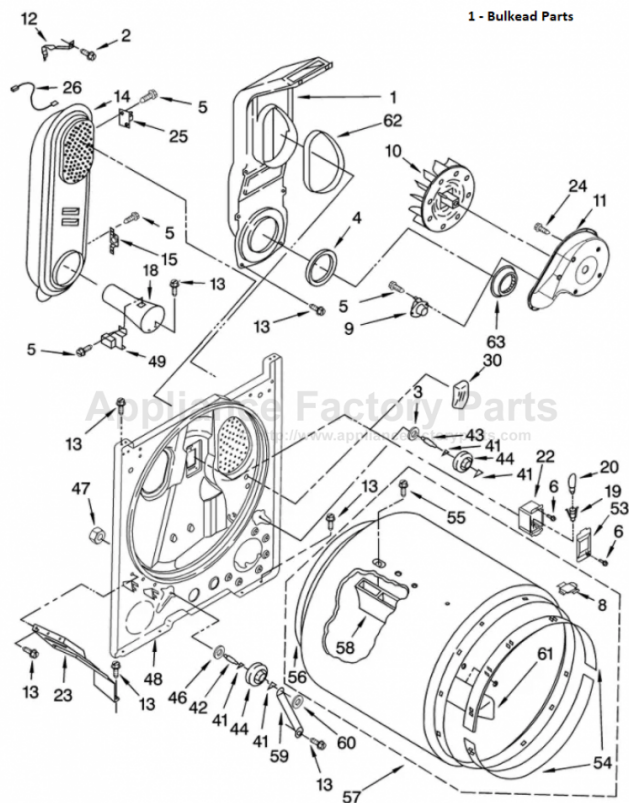


This Owner's Manual is provided and hosted by Appliance Factory Parts.



WHIRLPOOL WGD5840SW0 Owner's Manual

[Shop genuine replacement parts for WHIRLPOOL
WGD5840SW0](#)



[Find Your WHIRLPOOL Dryer Parts - Select From 3706 Models](#)

----- Manual continues below -----

PRODUCT MODEL NUMBERS

LGR8620P	WGD5530S	WGD5800V
LGR8648P	WGD5540S	WGD5810S
WGD5100S	WGD5550S	WGD5820S
WGD5200T	WGD5600S	WGD5830S
WGD5300S	WGD5700S	WGD5840S
WGD5500S	WGD5790S	WGD5850S
WGD5520S	WGD5800S	WGD5900S

Gas supply:

1/2" IPS pipe is recommended.

3/8" approved tubing is acceptable for lengths under 20 ft (6.1 m) if local codes and gas supplier permit.

Must include 1/8" NPT minimum plugged tapping accessible for test gauge connection, immediately upstream of the gas connection to the dryer.

Must include a shutoff valve:

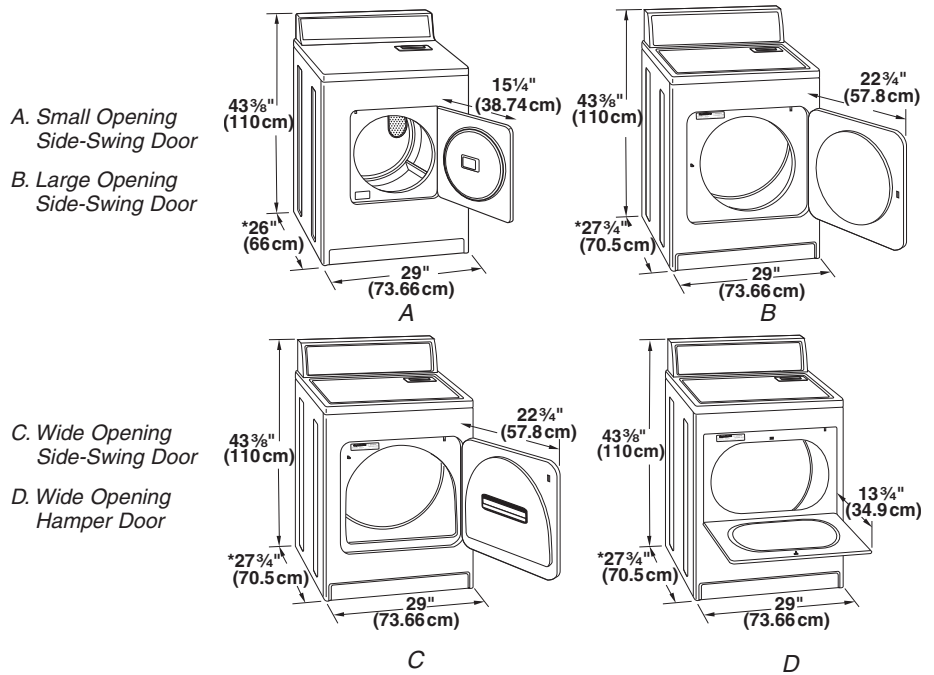
An individual manual shutoff valve must be installed within six (6) feet (1.8 m) of the dryer in accordance with the National Fuel Gas Code, ANSI Z223.1. The location should be easy to reach for opening and closing.

The gas pipe that comes out through the rear of your dryer has a 3/8" male pipe thread.

Electrical: 120-Volt, 60-Hz., AC-only, 15- or 20-amp fused electrical supply is required. (Time-delay fuse or circuit breaker is recommended.) It is recommended that a separate circuit serving only this dryer be provided.

Exhaust venting: Exhaust your dryer to the outside. Four-inch diameter vent is required. Rigid or flexible metal exhaust vent must be used. Do Not use plastic or metal foil vent. Exhaust outlet hood must be at least 12" (30.5 cm) from the ground or any object that may be in the path of the exhaust.

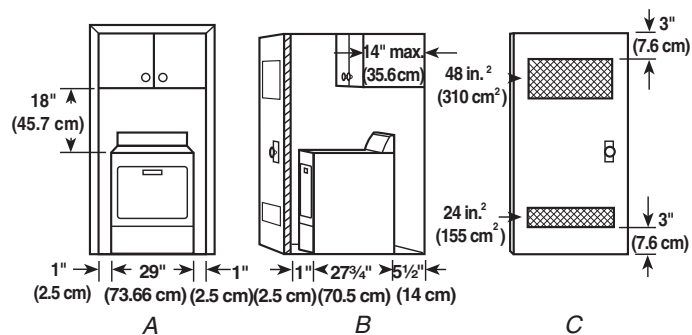
PRODUCT DIMENSIONS



*Most installations require a minimum 5-1/2" (14 cm) clearance behind the dryer for the exhaust vent with elbow.

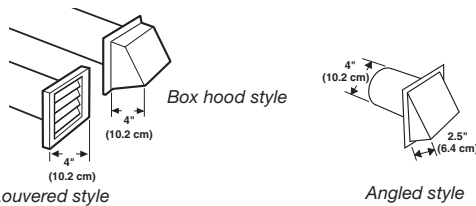
RECESSED AREA AND CLOSET INSTALLATION

For closet installation with a door, minimum ventilation openings in the top and bottom of the door are required. Louvered doors with equivalent air openings are acceptable.



A. Recessed area
B. Side view - closet or confined area
C. Closet door with vents

EXHAUST VENTING



Vent Length Chart

Number of 90° turns or elbows	Type of vent	Box or Louvered hoods	Angled hoods
0	Rigid metal	64 ft (20 m)	58 ft (17.7 m)
	Flexible metal	36 ft (11 m)	28 ft (8.5 m)
1	Rigid metal	54 ft (16.5 m)	48 ft (14.6 m)
	Flexible metal	31 ft (9.4 m)	23 ft (7 m)
2	Rigid metal	44 ft (13.4 m)	38 ft (11.6 m)
	Flexible metal	27 ft (8.2 m)	19 ft (5.8 m)
3	Rigid metal	35 ft (10.7 m)	29 ft (8.8 m)
	Flexible metal	25 ft (7.6 m)	17 ft (5.2 m)
4	Rigid metal	27 ft (8.2 m)	21 ft (6.4 m)
	Flexible metal	23 ft (7 m)	15 ft (4.6 m)

1. Select the route that will provide the straightest and most direct path outdoors. Plan the installation to use the fewest number of elbows and turns. When using elbows or making turns, allow as much room as possible. Bend vent gradually to avoid kinking. Avoid 90° turns.

2. Determine vent length.

The maximum length of the exhaust system depends upon:

- The type of vent (rigid metal or flexible metal).
- The number of elbows used.
- Type of hood.

See the exhaust vent length chart that matches your hood type for the maximum vent lengths you can use.

3. Determine the number of elbows you will need.

NOTE: Do not use vent runs longer than specified in the Vent Length Chart.

The chart at left helps you determine your maximum vent length based on the number of 90° turns or elbows you will need and the type of vent (rigid or flexible metal) and hood that you will use.