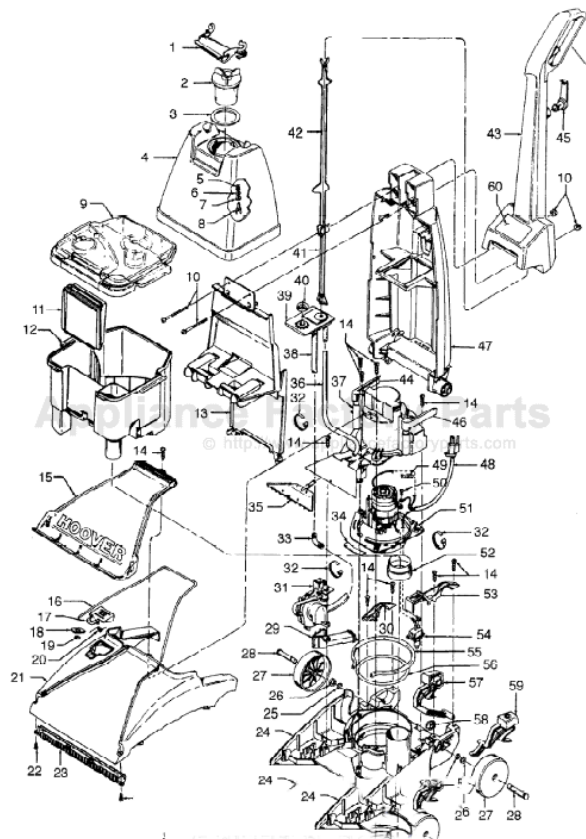


This Owner's Manual is provided and hosted by [Appliance Factory Parts](http://ApplianceFactoryParts.com).



# HOOVER F5835-900 Owner's Manual

[Shop genuine replacement parts for HOOVER  
F5835-900](#)

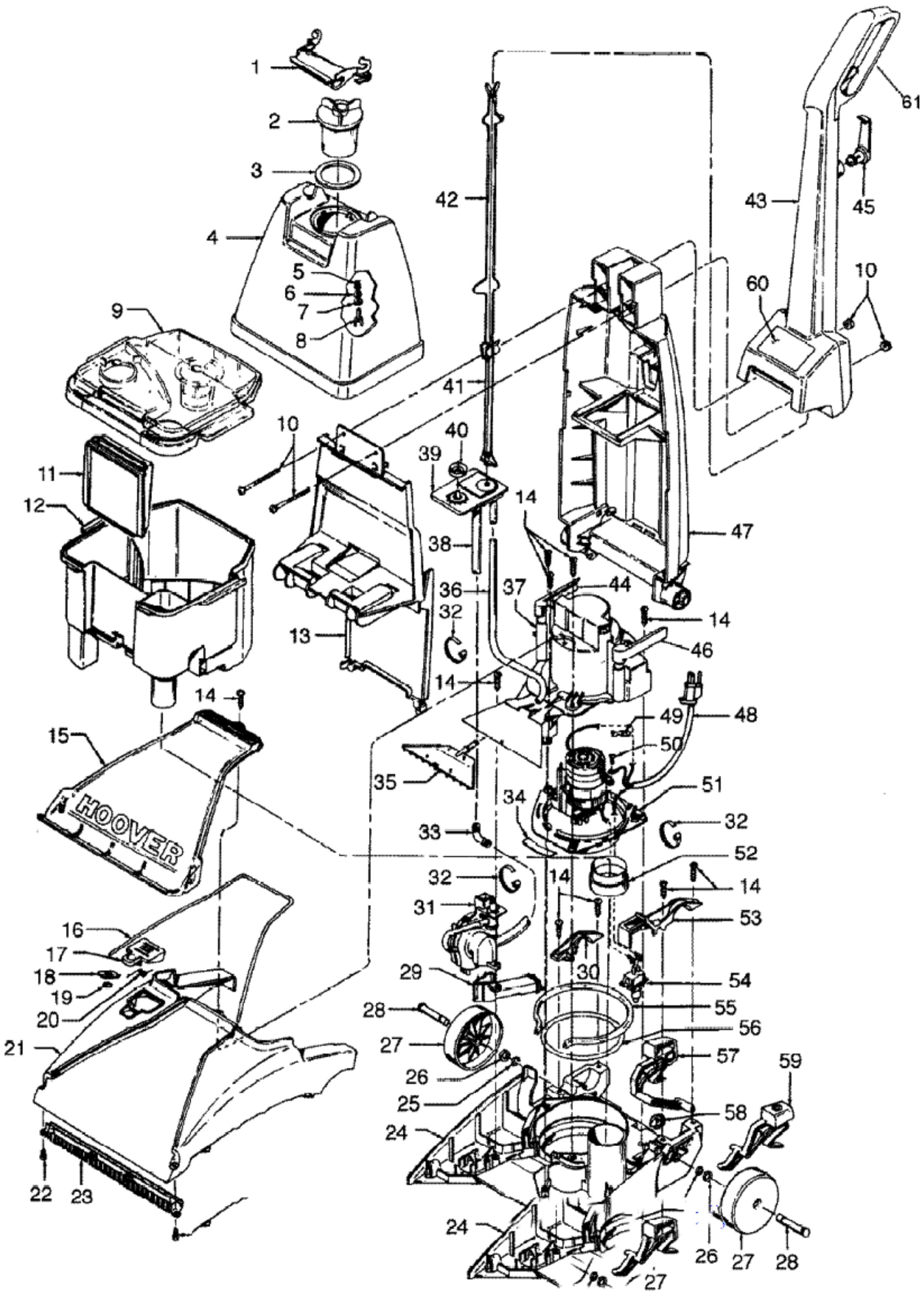


[Find Your HOOVER Vacuum Cleaner Parts - Select From 1456 Models](#)

----- Manual continues below part list -----

## Available Replacement Parts for HOOVER F5835-900

<a href="#">H-38784062</a>	Gasket .
<a href="#">H-38777008</a>	Recovery Tank without lid .
<a href="#">H-38762010</a>	FILTER, EXTRACTOR FOAM



Item	Part Number	Part Description	Alt Part	Series	Qty
1	90001213	SOLUTION TANK HANDLE-AGS			1
2	42272002	SOLUTION TANK CAP ASSEM	12002693		1
3	38784062	GASKET			1
4	90001215	SOLUTION TANK ASSEMBLY	42272134		1
5	38312014	SPRING			1
6	W10124350	NOT REQUIRED PART OR SEE NOTE			1
7	38784061	VALVE SEAL			1
8	38717009	VALVE STEM			1
9	42272111	RECOVERY TANK LID			1
10	40201149	HANDLE HARDWARE ASSEM			1
11	38661003	DUCT			1
12	38777081	RECOVERY TANK-SERVICE			1
13	90001219	HANDLE COVER-AGS			1
14	21447020	SCREW			10
15	90001248	NOZZLE FRONT PLATE-CP			1
16	38781037	SEAL (NOZ. FRT. PLAT			1
17	90001250	DOOR-AJJ			1
18	38783019	SEAL			1
19	21362006	SPEED NUT			1
20	38351017	SPRING -ACCESS DOOR			1
21	90001249	HOOD COMPLETE-AJJ			1
22	21447228	SCREW-SELF-TAPPING			2
23	48447002	BRUSH BACK ASSM-DUAL			1
24	90001253	MAIN BODY-AGS			1
25	160017--	LOCK RING			2
26	W10124350	NOT REQUIRED PART OR SEE NOTE			1
27	90001222	REAR WHEEL-AGS			2
28	32434007	REAR AXLE			2
29	38664001	ELBOW DUCT			1
30	36131085	TRUNION COVER - RH			1
31	43582003	PUMP ASSEMBLY COMPLETE	90001326		1
32	27479307	CABLE TIE			3
33	33241001	ELBOW CONNECTOR			1
34	34122021	MOTOR HOUSING SEAL			1
35	43411006	DISTRIBUTOR ASSEM.			1
36	40309002	SERVICE TUBING - STE			1
37	40309005	SERVICE KIT-MOTOR/DIST. COVER			1
38	40309002	SERVICE TUBING - STE			1
39	90001251	RESERVOIR ASSEMBLY-AGS			1
40	38784060	SOLUTION TANK SEAL			1
41	38458033	CONTROL ROD - LOWER			1
42	38458037	UPPER CONTROL ROD-SV			1
43	90001301	UPPER HANDLE AGS			1
	37276014	TOOL DOOR-F6030-900			1
44	36151019	TANK RELEASE LATCH-R			1
45	39442048	CORD WRAP-AGS			1
46	90001229	TANK REL LATCH L.H.-AGS			1

Item	Part Number	Part Description	Alt Part	Series	Qty
47	90001254	LOWER HANDLE-AGS			1
48	46583044	CORD-STEAM VAC-33`	93002227		1
49	012227--	TERMINALS-0513			1
50	21447246	SCREW-SV 3.125`			1
51	40309009	MOTOR KIT-WV			1
52	38784063	STANDPIPE SEAL			1
53	36131086	TRUNION COVER - LH			1
54	28218048	SWITCH-F5805/15/25	90001106		1
55	38781039	MOTOR BASE SEAL			1
56	38784064	MOTOR INTAKE SEAL			1
57	38458042	HANDLE RELEASE LEVER			1
58	90001184	CORD RETAINER-AGS			1
59	38434025	SWITCH ACTUATOR LEVER			1
60	52313110	NAMEPLATE-F5832910			1
61	39458006	HANDLE LEVER GUARD-S			1
62	91001071	TURBINE NOZZLE-AGS			1
	48417003	BARE FLOOR CLEANING	90001331		1
	40302016	PRE-CLEANER-16OZ(12)	40322016		1
63	43611041	TANK FILTER	90001398		1
	40309007	HOSE ASSEM W/NOZ BOD			1
64	56518187	OWNERS MANUAL			1