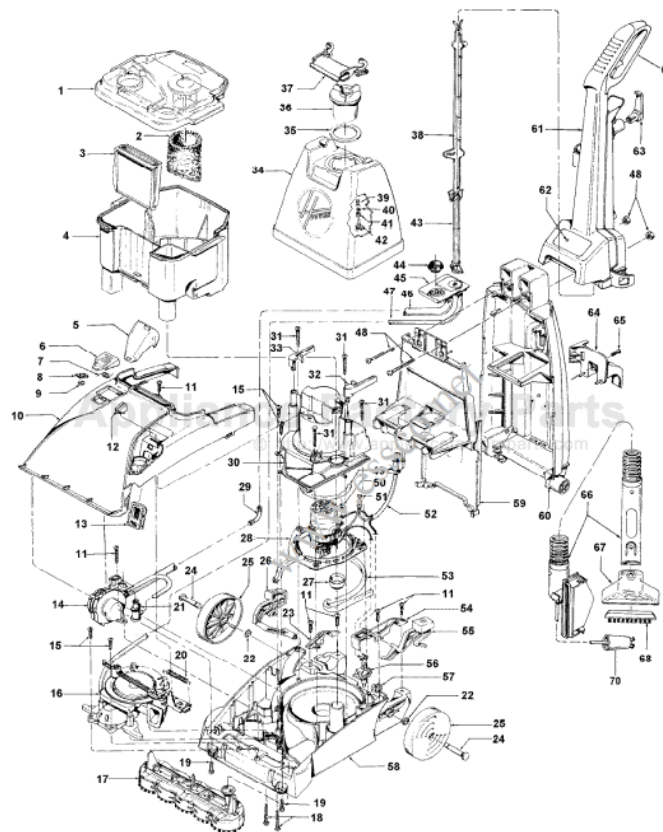


This Owner's Manual is provided and hosted by [Appliance Factory Parts](http://Appliance Factory Parts).



# HOOVER F5842-900 Owner's Manual

[Shop genuine replacement parts for HOOVER  
F5842-900](#)

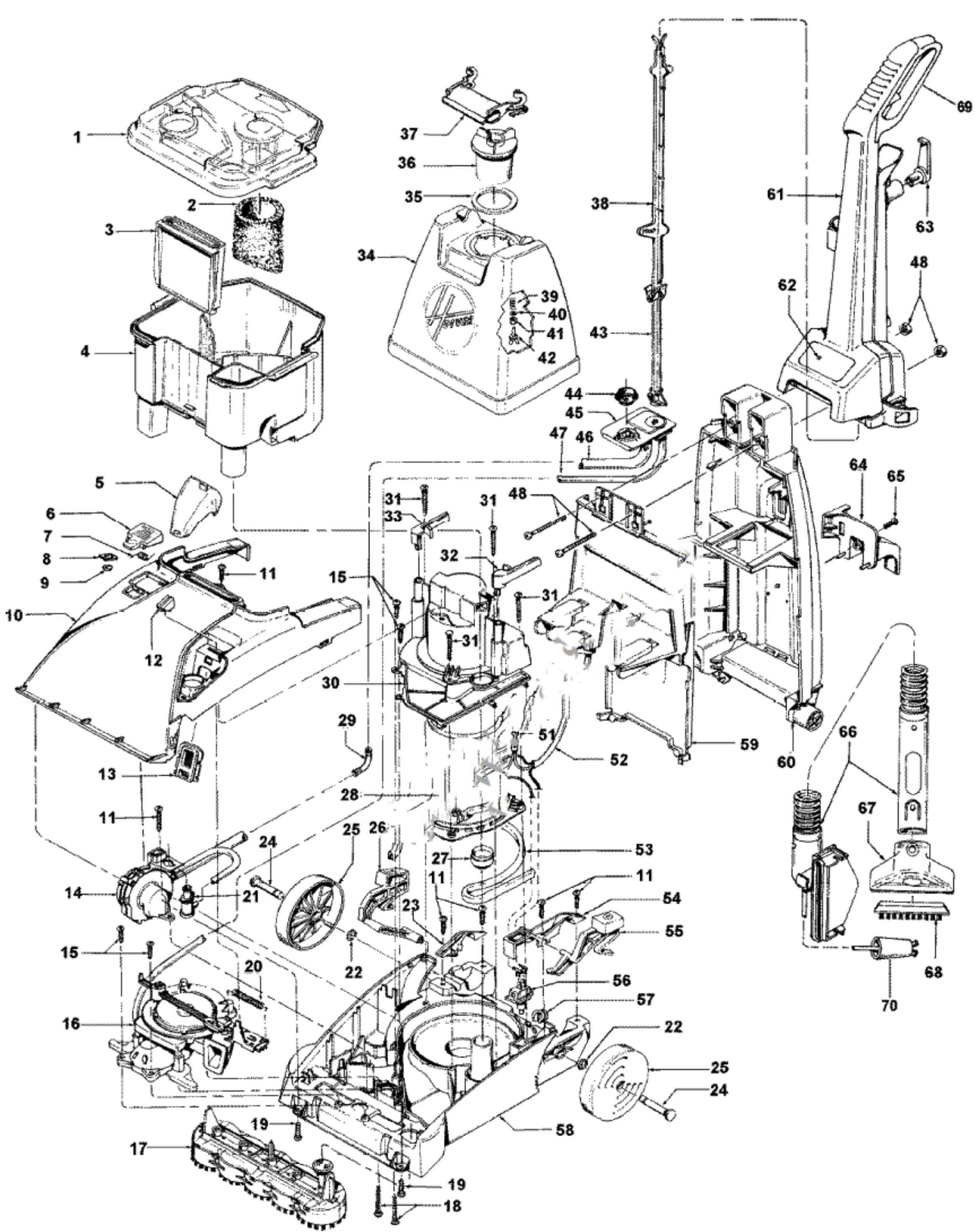


[Find Your HOOVER Vacuum Cleaner Parts - Select From 1456 Models](#)

----- Manual continues below part list -----

## Available Replacement Parts for HOOVER F5842-900

<a href="#">HR-2400</a>	Brush block Aftermarket
<a href="#">H-38784062</a>	Gasket .
<a href="#">H-38777008</a>	Recovery Tank without lid .
<a href="#">H-39383106</a>	Lens.
<a href="#">H-38613040</a>	NOZZLE BODY, WITH RELEASE TAB
<a href="#">H-38762010</a>	FILTER, EXTRACTOR FOAM



Model Number: F58429RM

BOM/Serial #: F58429RM

Graphic Title: MAINHSG\_UPPER, MAINHSG\_LOWER

Image	Key	Part Number	Description	Substitution	Qty.
1	1	42272111	RECOVERY TANK LID		1
1	2	43611041	TANK FILTER		1
1	3	38661003	DUCT		1
1	4	38777081	RECOVERY TANK-SERVICE		1
1	5	39383106	LENS		1
1	6	37257140	DOOR ASSEM. - F5827		1
1	7	38351017	SPRING -ACCESS DOOR		1
1	8	38783021	SEAL		1
1	9	21362006	SPEED NUT		1
1	10	37271072	HOOD-AFC-F5858-910		1
1	12	38421093	INDICATOR KNOB-F5851		1
1	13	43613009	SCREEN ASY		1
1	14	43582003	PUMP ASSEMBLY COMPLETE		1
1	15	21447217	SCREW-SELF TAPPING		1
1	16	43191001	TURBINE & GEAR-F5851	91001020	1
1	17	48437022	BRUSH BLOCK-SERVICE		1
1	18	21479438	SCREW		2
1	19	21447072	SCREW		2
1	20	38333009	SPRING		1
1	21	43523004	QUICK DISCONNECT ASY		1
1	22	160017--	LOCK RING		2
1	23	36131085	TRUNION COVER/EF1		1
1	24	32434007	REAR AXLE		2
1	25	38522076	REAR WHEEL		2
1	26	38458042	HANDLE RELEASE LEVER		1
1	27	38784063	STANDPIPE SEAL		1
1	28	43576202	MOTOR ASSEM-F5853		1
1	28	40309008	MOTOR KIT-SV		1
1	29	33241001	ELBOW CONNECTOR		1
1	30	40309006	SERVICE KIT-MTR COVER		1
1	31	21447232	SCREW-SELF TAPPING-F		4
1	32	36151029	TANK RELEASE LATCH-L		1
1	33	36151019	TANK RELEASE LATCH-R		1
1	34	42272134	SOLUTION TANK		1
1	35	38784062	GASKET		1

Image	Key	Part Number	Description	Substitution	Qty.
1	36	42272002	SOLUTION TANK CAP ASSEM	12002693	1
1	37	39457016	SOLUTION TANK HANDLE		1
1	38	38458031	CONTROL ROD - UPPER		1
1	39	38312014	SPRING		1
1	40	-----	NOT REQUIRED PART OR SEE NOTE		1
1	41	38784061	VALVE SEAL		1
1	42	38717009	VALVE STEM		1
1	43	38458033	CONTROL ROD - LOWER		1
1	44	38784060	SOLUTION TANK SEAL		1
1	45	43516008	RESERVOIR ASSEM-F581		1
1	46	40309002	SERVICE TUBING - STE		1
1	47	40309002	SERVICE TUBING - STE		1
1	48	40201149	HANDLE HARDWARE ASSEM		1
1	49	34113004	MOTOR SEAL		1
1	50	-----	NOT REQUIRED PART OR SEE NOTE		1
1	51	012227--	TERMINALS-0513		1
1	52	46583044	CORD-STEAM VAC-33'		1
1	52	46583012	ATTACH. CORD-31'-F58		1
1	53	38781048	MOTOR BASE SEAL		1
1	54	36131086	TRUNION COVER - LH		1
1	55	38434025	SWITCH ACTUATOR LEVER		1
1	56	28218048	SWITCH-F5805/15/25	90001106	1
1	57	36172016	CORD RETAINER		1
1	58	42274005	MN BODY-SV-W/VT-5 RR		1
1	59	37276001	HANDLE COVER		1
1	60	39466033	LOWER HANDLE		1
1	61	48663181	UPPER HANDLE-F5833-9	90001257	1
1	63	39442039	CORD WRAP-F5853-900		1
1	64	41426030	LOWER RACK ASSEM.-F5		1
1	65	21447003	SCREW		1
1	66	40309007	HOSE ASSEM W/NOZ BOD		1
1	67	38613040	NOZZLE BODY W/BRUSH		1
1	68	48445003	BRUSH BACK ASSEMBLY-		1
1	69	38784070	SEAL-FL. RET.-STEAM		1
1	69	48417003	BARE FLOOR CLEANING		1
1	69	51638055	HDL REL LABEL-STEAM		1
1	69	51639124	LABEL-DOOR-STEAM VAC		1
1	69	51855028	AGITATOR SPEED LABEL	51639192	1

<b>Image</b>	<b>Key</b>	<b>Part Number</b>	<b>Description</b>	<b>Substitution</b>	<b>Qty.</b>
1	69	38719027	FLOAT RETAINER-STEAM		1
1	69	43412003	SPRAYER - F5825		1
1	69	39514001	NOZZLE CLEAN OUT TOO		1
1	69	43538001	Float Assembly		1
1	69	43513010	CONNECTOR COUPLER SL		1
1	69	51865024	ON/OFF LABEL - STEAM		1