

Steam Vac

Models without five rotating brushes
Models with five rotating brushes

F5837-900, ***** F5837-960, F5839-900
F5864-900, F5865-900, F5867-900, F5868-900, F5869-900,
*** F5869-960, * F5869-990, F5870-900, F5871-900, F5872-900,
F5873-900, F5875-900, *****F5876-900, F5878-900, F5881-900, ****
F5881-990, F5883-900, *** F5883-960, * F5883-990, F5884-900, **
F5884-980,

Ref. No.	Part No.	Description
1	21447003	* Screw
2	21447247	Screw
3	23149002	Screw
4	40309002	Tubing Assembly
5	40309002	Tubing Assembly
6	43466071	Duct
7	51865024	* On Off Label
8	51638055	* Handle Release Label
9	38421093	Indicator Knob
10	51438006	Nameplate - Tool Mode
11	39383106	Lens
12	Note: All Hoods Include Items 11 and 17)	
	37271045	Hood - F5837-900
	37271046	Hood - F5839-900
	37271055	Hood - F5865-900
	37271047	Hood - F5867-900
	37271051	Hood - F5868-900
	37271052	Hood - F5869-900
	37271054	Hood - F5871-900
	37271055	Hood - F5873-900
	37271064	Hood - F5870-900, F5875-900, F5876-900
	37271080	Hood - AES - F5881-900
	37271043	Hood - F5883-900
	37271048	Hood - F5884-900, F5885-980
	37271067	Hood - F5864-900
	37271076	Hood - F5872-900
	37271077	Hood - F5878-900
13	51855031	Agitator Speed Label
14	21447217	* Screw
15	42191005	Motor Cover/ Valve Assembly F5837-900, F5839-900
	42191007	Motor Cover / Valve Assembly All models except F5837-900, F5839-900
16	36439001	Valve Crank Arm
17	43613009	Screen Assembly
18	N/A	
19	51611008	* Indicator Label - Green
20	38458050	Turbine Actuator Arm -F5837-900, F5839-900
	38458024	Turbine Actuator Arm All models except F5837-900, F5839-900
21	36132003	Over Center Spring
22	38458042	Handle Release Lever
23	38356013	Spring
24	38333009	Spring
25	43191003	Turbine Assembly - models with five rotating brushes (Incl. It. 18, 23, 24)
26	40309002	Tubing Assem.
27	32434007	Rear Axle (2)
28	38522076	Rear Wheel (2)
29	38784063	Standpipe Seal
30	160017	* Lock Ring
31	43582005	Pump Assembly ✓
32	48437022	Brush Block
33	21447072	* Screw (2)
34	21479438	* Screw (2)
35	37272095	Main Body- F5837-900, F5839-900
35	37272088	Main Body - All models except F5837-900, F5839-900, F5872-900, F5878-900
	37271090	Main Body - F5872-900
36	36172016	Cord Retainer
37	28218048	Switch
38	36131086	Trunnion Cover - L.H.
39	38434025	Switch Actuator Lever
40	36131085	Trunnion Cover - R.H.

Ref. No.	Part No.	Description
41	38781048	Motor Base Seal
42	46583044	Cord (use with Hoover Motor)
	46583012	Cord (use with GS Motor)
	46583056	Cord (use with 12 Amp Motor)
43	40309009	Motor Kit - F5837-900, F5839-900 - Units with GS motor
	43576177	Motor- F5837-900, F5839-900 - Units with Hoover motor
	43576163	+ Motor-(GS)- F5865-900,F5867-900, F5868-900, F5869-900,F5881-900, F5883-900 (Use 43576202 Motor)
	43576202	Motor- (Hoover) - F5864-900, F5865-900, F5867-900, F5868-900, F5869-900, F5870-900, F5871-900, F5873-900, F5875-900, F5881-900, F5883-900, F5884-900
	27212051	Motor - 12 Amp Ametek - F5872-900, F5878-900
	41311016	Motor Brush (Hoover Motor ONLY)
44	34113004	Motor Seal
45	40309032	Hose Assembly (w/o release tab on nozzle)
	43436011	Hose Assembly (w/ release tab on nozzle)
46	25156518	"O" Ring
47	21447246	Screw
48	38783023	Valve Tank Seal
49	25156517	* "O" Ring
50	38719039	Solution Hose Coupler
51	38783024	Valve Duct Seal
52	36151021	Latch Lock - LH
53	21364107	Speed Nut (Early models)
54	36151020	Latch Lock - RH
55	21447232	* Screw (2)

ITEMS NOT ILLUSTRATED

48447002	Brush Back Assembly - Dual - F5837-900, F5839-900
49811039	Lead Wire Black - (Front of motor to switch) (Hoover Motor)
49811079	Lead Wire White - 12 Amp Motor
49811087	Lead Wire Lt. Blue - 12 Amp Motor
49811081	Lead Wire Red - 12 Amp Motor

* The F5869-990 & F5883-990 are identical to the models F5869-900 & F5883-900 respectively, except for the addition of one 64 oz. bottle of Carpet / Upholstery cleaner.

** The F5884-980 is identical to model F5884-900 except for the addition of model S1103 Dubl-Duty. (In May of 1999, the S1103 was replaced by an S1112 on F5884-980)

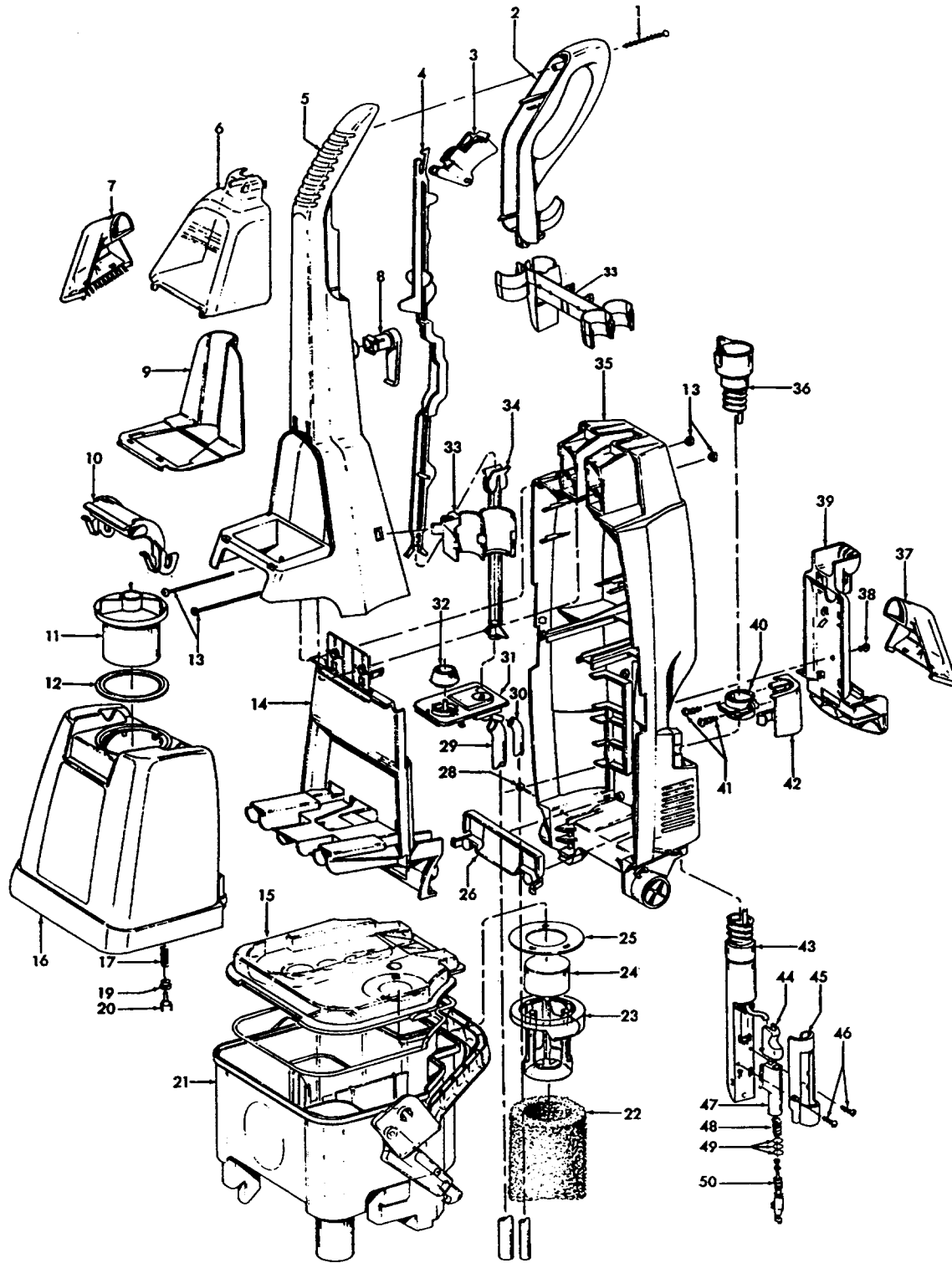
*** The F5869-960 & F5883-960 are identical to model F5869-900 and F5883-900 respectively, except for the addition of a bonus detergent kit.

**** Model F5881-990 is identical to model F5881-900 except for addition of Sprayer, and on bottle of Carpet Cleaner, Pre-Cleaner Solution, and Bare Floor Solution.

***** Model F5837-960 is identical to model F5837-900 except for the addition of the carpet care kit - 40304001.

*****Model F5876-900 is identical to model F5875-900 with the exception of the solution tank label.

***** Model F5885-980 is identical to model F5884-900 except for the addition of model S1117-900 and hood color.



Ref. No.	Part No.	Description	Ref. No.	Part No.	Description
1	21447248	Screw	33	36172005	Hose/ Nozzle Holder
2	39458006	Handle Lever Guard		36433129	Hose / Nozzle Holder w/ Holster - F5872-900, F5878-900
3	38434028	Trigger	34	38458033	Control Rod Lower
4	38458037	Upper Control Rod	35	39466037	Lower Handle
5	39466004	Upper Handle - (Inc. items 1, 2, 3, 4, 8)	36	43436011	Hose Assem.(incl. it 43 thru 50)
	39466049	Upper Handle - (Inc. items 1, 2, 3, 4, 8)- F5872-900, F5878-900		43436016	Hose Assem. (Incl. It. 37 & 43 thru 50) F5872-900, F5878-900
6	37276011	Tool Cover	37	38613028	Nozzle Body
7	38613040	Nozzle Body - CP	38	21447041	* Screw
8	39442041	Cord Wrap	39	36433131	Tool Rack - Lower
9	36433127	Tool Holder - F5871-900, F5872-900, F5878-900	40	36171032	Hose Clamp
10	39457016	Solution Tank Handle	41	21447228	* Screw (2)
11	42272002	Solution Tank Cap (Incl. It. 12)	42	36131097	Hose Cover
12	38784062	Gasket	43	43436011	Hose Assem. (Incl. It. 37 & 43 thru 50)
13	40201154	Handle Hardware Assembly		43436016	Hose Assem. (Incl. It. 37 & 43 thru 50) F5872-900, F5878-900
	40201171	Handle Hardware Assembly - F5872-900, F5878-900	44	38433074	Trigger
14	37276002	Handle Cover	45	37276006	Wand Cover
15	42272120	Lid Assem.(Incl. It. 22,23,24,25)	46	21447239	* Screw
16	Note: Solution Tank Assembly's Include Items 10, 11, 12, 17, 18, 19, 20		47	43513011	Wand/ Valve Assembly
	42272134	Solution Tank Assembly	48	38312019	Spring
17	38312014	Spring	49		O ring (Included with item 50)
19	38784061	Valve Seal	50	43412007	Nozzle Valve Assembly
20	38717009	Valve Stem	Accessories		
21	Note: Recovery Tanks include item 15			43412003	Sprayer - F5873-900
	38777065	Recovery Tank		48417003	Bare Floor Tool
	38777070	Recovery Tank - Models with no tank filter. Screen in tank.		57333016	Carpet Solution - 16 oz.
22	43611041	Tank Filter		40303032	Bare Floor Solution - 32 oz. - F5871-900, F5873-900
23	38719027	Float Retainer		40302016	Pre-Cleaner - 16 oz. F5873-900
24	25661016	Float		39514001	Nozzle Cleanout Tool - F5875-900
25	38784070	Seal	Note: In May of 1999, the Bare Floor Solution was removed from the model F5871-900		
26	37276010	Solution Tube Cover	Note: In May of 1999, the Pre - Cleaner was removed from the model F5873-900		
28	21447244	Screw - Special			
29	40309002	Service Tubing			
30	40309002	Service Tubing			
31	43516008	Reservoir Assem. (inc. item 32)			
32	38784060	Solution Tank Seal			

Packaging Material

56518131	Owner Manual
58176023	Carton - Common (plain brown)

*Model F5876-900 is identical to model F5875-900 with the exception of the solution tank label.