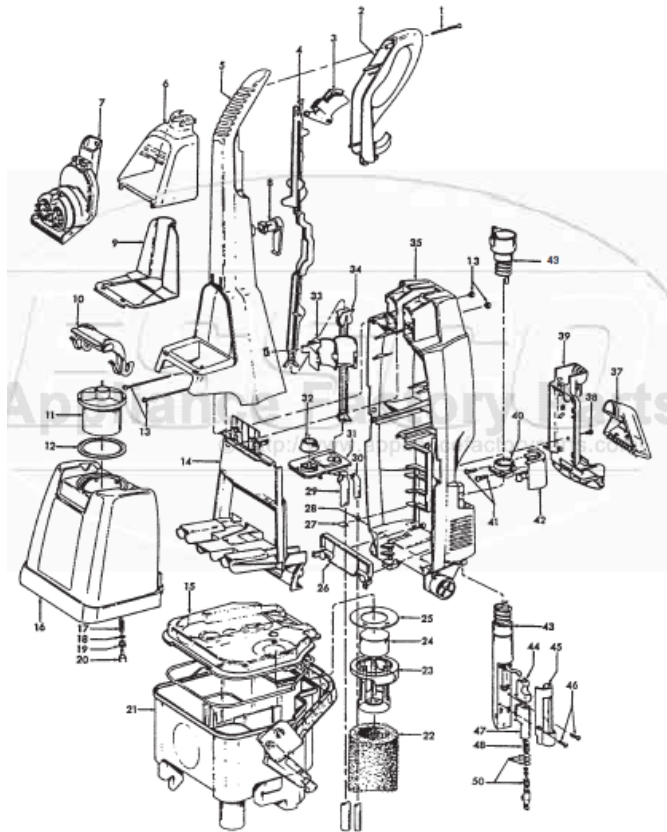


This Owner's Manual is provided and hosted by [Appliance Factory Parts](#).



HOOVER F5884-900 Owner's Manual

[Shop genuine replacement parts for HOOVER
F5884-900](#)



[Find Your HOOVER Vacuum Cleaner Parts - Select From 1456 Models](#)

----- Manual continues below part list -----

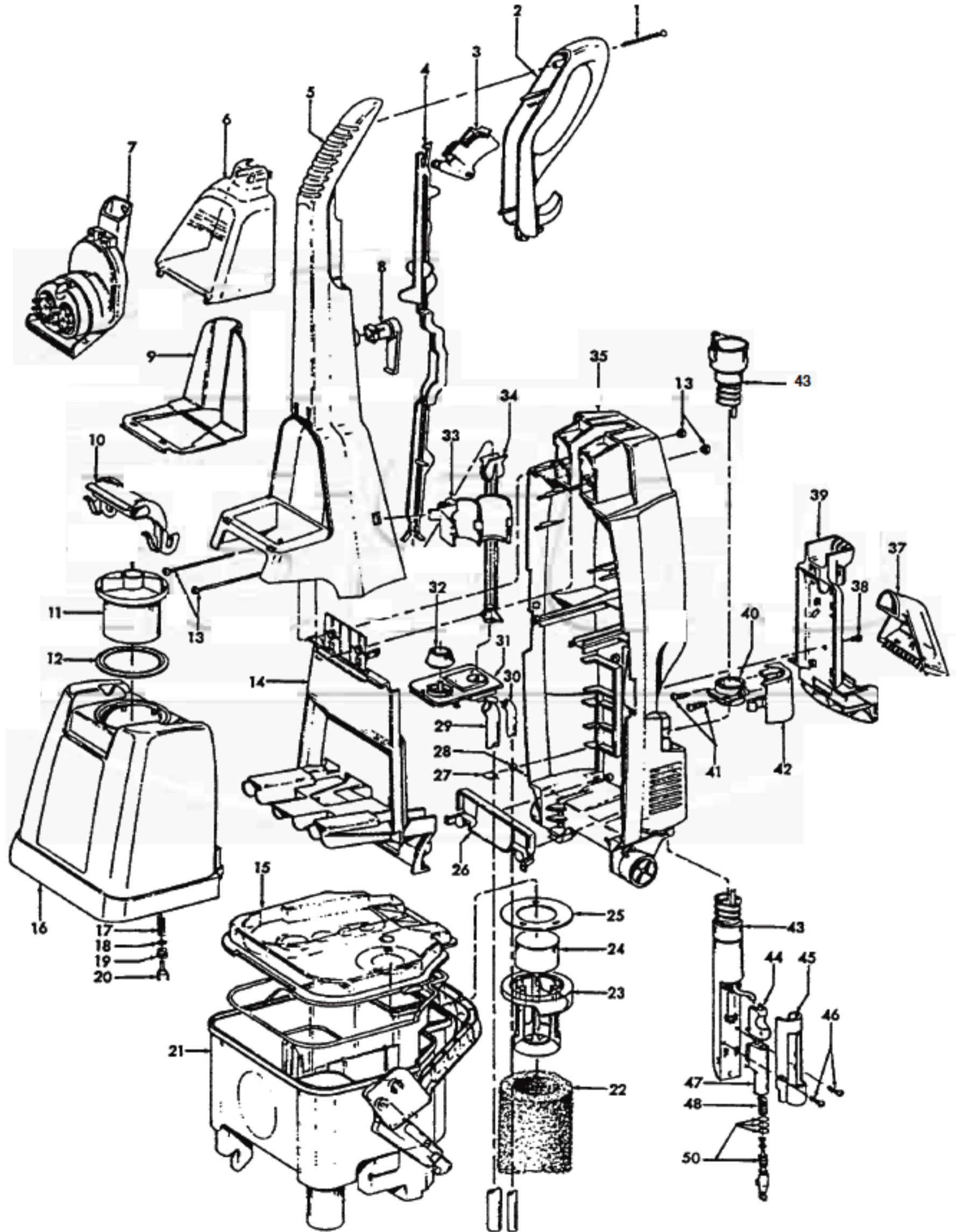
Available Replacement Parts for HOOVER F5884-900

| | |
|----------------------------|-------------------------------|
| H-38784062 | Gasket . |
| H-39383106 | Lens. |
| H-38613040 | NOZZLE BODY, WITH RELEASE TAB |
| H-38762010 | FILTER, EXTRACTOR FOAM |

HOOVER Original

STEAM VAC

Models F5837-900, F5839-900, F5865-900, F5867-900, F5868-900, F5869-900, F5869-990, F5881-900, F5883-900, F5884-900



Original **HOOVER**

STEAM VAC

Models F5837-900, F5839-900, F5865-900, F5867-900, F5868-900,
F5869-900, F5869-990, F5881-900, F5883-900, F5884-900

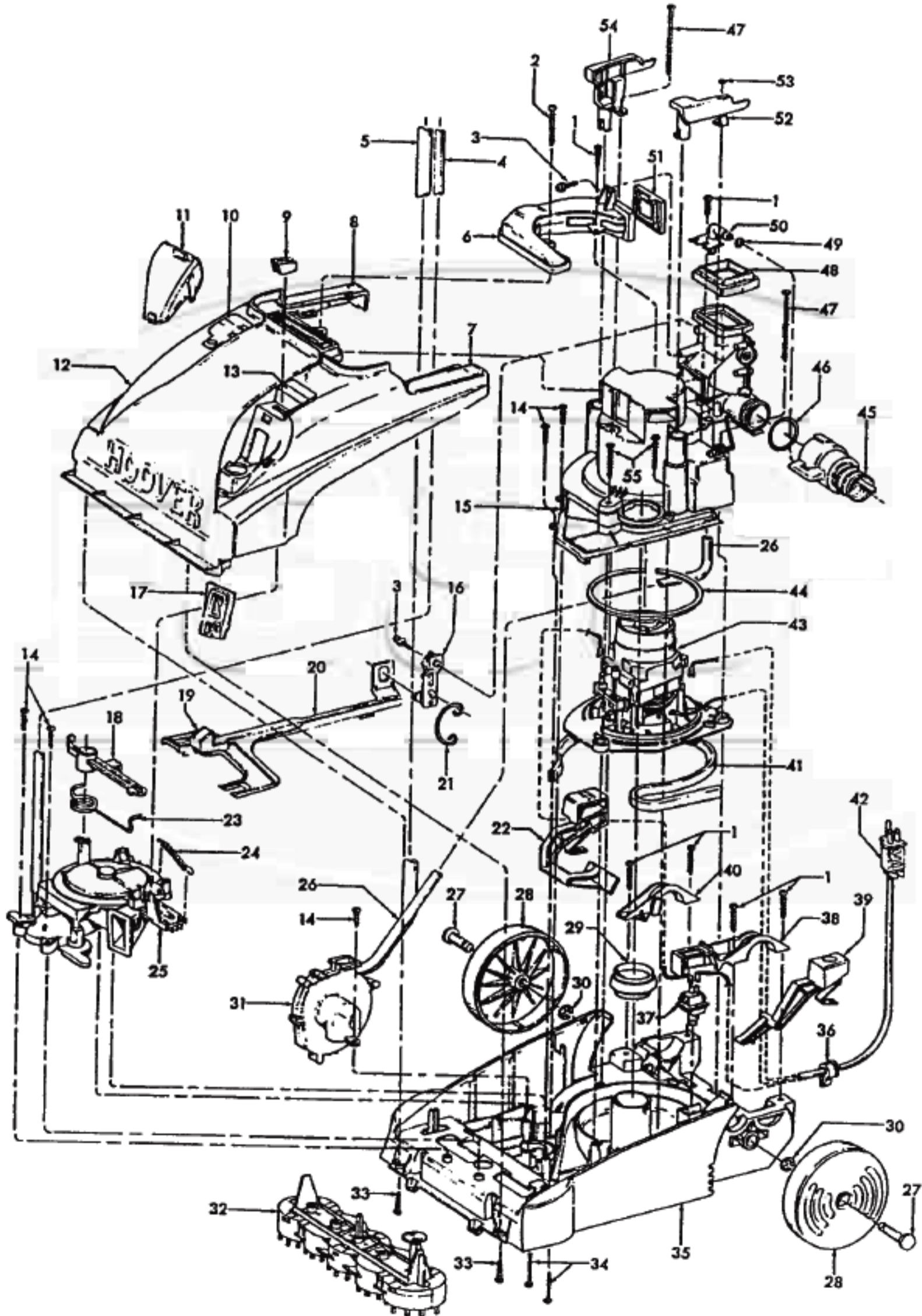
| KEY | PART NO. | DESCRIPTION | KEY | PART NO. | DESCRIPTION |
|-----|------------|--------------------------------------------------------------------------------------------------------|--------------------------------------------------------------------------------------------------------------------------------|------------------------------------------------------------------------------------------------------|-------------------------------------------------------------------|
| 1 | H-21447248 | Screw | 32 | H-38784060 | Solution Tank Seal |
| 2 | H-39458006 | Handle Lever Guard | 33 | H-36172005 | Hose/Nozzle Holder |
| 3 | H-38434028 | Trigger | 34 | H-38458033 | Control Rod Lower |
| 4 | H-38458037 | Upper Control Rod | 35 | H-39466037 | Lower Handle |
| 5 | H-39466004 | Upper Handle - F5881-900, F5883-900, F5884-900 (Incl. Items 1, 2, 3, 4, 8) | 37 | H-38613033 | Nozzle Body (without Release Tab) |
| 5 | H-39466036 | Upper Handle - F5837-900, F5839-900, F5865-900, F5868-900, F5869-900 (Incl. Items 1, 2, 3, 4, 8) | 37 | H-38613040 | Nozzle Body (with Release Tab) |
| 6 | H-37276007 | Tool Holder - F5881-900, F5883-900, F5884-900 | 38 | H-21447041 | Screw |
| 7 | H-48439001 | Turbine Nozzle - F5881-900, F5883-900, F5884-900 (without Release Tab) | 39 | H-36433131 | Tool Rack - Lower |
| 7 | H-48439002 | Turbine Nozzle - F5881-900, F5883-900, F5884-900 (with Release Tab) | 40 | H-36171032 | Hose Clamp |
| 8 | H-39442041 | Cord Wrap | 41 | H-21447228 | Screw (2) |
| 9 | H-36433126 | Tool Holder - F5881-900, F5883-900, F5884-900 | 42 | H-36131097 | Hose Cover |
| 10 | H-39457016 | Solution Tank Handle | 43 | H-43436002 | Hose Ass'y (Incl. Item. 37 & 43 thru 50) (without Release Tab) |
| 11 | H-42272002 | Solution Tank Cap (Incl. Item 12) | 43 | H-43436004 | Hose Ass'y (Incl. Item. 37 & 43 thru 50) (with Release Tab) |
| 12 | H-38784062 | Gasket | 44 | H-38433074 | Trigger |
| 13 | H-40201154 | Handle Hardware Assembly | 45 | H-37276006 | Wand Cover |
| 14 | H-37276002 | Handle Cover | 46 | H-21447239 | Screw |
| 15 | H-42272120 | Lid Ass'y (Incl. Items 22, 23, 24, 25) | 47 | H-43513008 | Wand/Valve Assembly |
| 16 | H-42272105 | Solution Tank Ass'y Without Handle (Incl. Items 11, 12, 17, 18, 19, 20) | 48 | H-38312019 | Spring |
| 17 | H-38312014 | Spring | 50 | H-43412004 | Nozzle Valve Assembly |
| 18 | NLA | Washer - Brass | ACCESSORIES | | |
| 19 | H-38784061 | Valve Seal | H-48417002 | Bare Floor Tool - All Models | |
| 20 | H-38717009 | Valve Stem | H-57333016 | Carpet Solution - 16 oz.- All Models | |
| 21 | H-38777037 | Recovery Tank - (Incl. Item 15) | H-40303032 | Bare Floor Solution - 32 oz. | |
| 22 | H-38762010 | Tank Filter | H-40302016 | Pre Cleaner Solution - 16 oz. F5839-900, F5867-900, F5868-900, F5869-900, F5881-900, F5883-900 | |
| 23 | H-38719027 | Float Retainer | * The F5869-990 is identical to the model F5869-900 except for the addition of one 64 oz. bottle of Carpet/Uph. cleaner. | | |
| 24 | H-25661016 | Float | | | |
| 25 | H-38784070 | Seal | | | |
| 26 | H-37276010 | Solution Tube Cover | | | |
| 27 | H-21378162 | Retaining Clip | | | |
| 28 | H-21447244 | Screw - Special | | | |
| 29 | H-40309002 | Hose Kit, 4 Hoses With One Connector | | | |
| 30 | H-40309002 | Hose Kit, 4 Hoses With One Connector | | | |
| 31 | H-43516008 | Reservoir Ass'y (Incl. Item 32) | | | |

NLA = No Longer Available

HOOVER Original

STEAM VAC

Models F5837-900, F5839-900, F5865-900, F5867-900, F5868-900, F5869-900, F5869-990, F5881-900, F5883-900, F5884-900



Original **HOOVER**

STEAM VAC

Models F5837-900, F5839-900, F5865-900, F5867-900, F5868-900,
F5869-900, F5869-990*, F5881-900, F5883-900, F5884-900

| KEY | PART NO. | DESCRIPTION |
|-----|------------|---------------------------------------------------------------------------------------------------------------|
| 1 | H-21447248 | Screw |
| 1 | H-21447003 | Screw |
| 2 | H-21447247 | Screw |
| 3 | H-23149002 | Screw |
| 4 | H-40309002 | Tubing Assembly |
| 5 | H-40309002 | Tubing Assembly |
| 6 | H-43466071 | Duct |
| 7 | H-51865024 | On Off Label |
| 8 | H-51638055 | Handle Release Label |
| 9 | H-38421093 | Indicator Knob |
| 10 | H-51438006 | Nameplate - Tool Mode |
| 11 | H-39383106 | Lens |
| 12 | H-37271045 | Hood - (Incl. Items 11, 17) - F5837-900 |
| 12 | H-37271046 | Hood - (Incl. Items 11, 17) - F5839-900 |
| 12 | H-37271044 | Hood - (Incl. Items 11, 17) - F5865-900 |
| 12 | H-37271073 | Hood - (Incl. Items 11, 17) - F5867-900 |
| 12 | H-37271051 | Hood - (Incl. Items 11, 17) - F5868-900 |
| 12 | H-37271052 | Hood - (Incl. Items 11, 17) - F5869-900 |
| 12 | H-37271049 | Hood - (Incl. Items 11, 17) - F5881-900 |
| 12 | H-37271043 | Hood - (Incl. Items 11, 17) - F5883-900 |
| 12 | H-37271048 | Hood - (Incl. Items 11, 17) - F5884-900 |
| 13 | H-51855028 | Agitator Speed Label |
| 14 | H-21447217 | Screw |
| 15 | H-42191005 | Motor Cover/Valve Assembly F5837-900, F5839-900 |
| 15 | H-42191007 | Motor Cover/Valve Assembly F5865-900, F5867-900, F5868-900 F5869-900, F5881-900, F5883-900 F5884-900 |
| 16 | H-36439001 | Valve Crank Arm |
| 17 | H-43613009 | Filter Screen For Turbine |
| 18 | N/A | See Key 25 |
| 19 | H-51611008 | Indicator Label - Green |
| 20 | H-38458050 | Turbine Actuator Arm F5837-900, F5839-900 |
| 20 | H-38458024 | Turbine Actuator Arm - F5865-900, F5867-900, F5868-900, F5869-900, F5881-900, F5883-900, F5884-900 |
| 21 | H-36132003 | Over Center Spring |
| 22 | H-38458042 | Handle Release Lever |
| 23 | H-38356013 | Spring |
| 24 | H-38333009 | Spring |
| 25 | H-43191003 | Turbine Assembly - (Incl. Items 18, 23, 24) |
| 26 | H-40309003 | Tubing Assembly |

| KEY | PART NO. | DESCRIPTION |
|-----|------------|-----------------------------------------------------------------------------------------------|
| 27 | H-32434007 | Rear Axle |
| 28 | H-38522076 | Rear Wheel |
| 29 | H-38784063 | Standpipe Seal |
| 30 | H-160017 | Lock Ring |
| 31 | H-43582005 | Pump Assembly |
| 32 | H-48437022 | Brush Block Except F5837-900 & F5839-900 |
| | H-48447002 | Brush Strip F5837-900 & F5839-900 |
| 33 | H-21447072 | Screw |
| 34 | H-21479438 | Screw |
| 35 | H-37272095 | Main Body - F5837-900, F5839-900 |
| 35 | H-37272088 | Main Body - F5865-900, F5867-900, F5868-900, F5869-900, F5881-900, F5883-900, F5884-900 |
| 36 | H-36172016 | Cord Retainer |
| 37 | H-28218048 | Switch |
| 38 | H-36131086 | Trunion Cover - L.H. |
| 39 | H-38434025 | Switch Actuator Lever |
| 40 | H-36131085 | Trunion Cover - R.H. |
| 41 | H-38781048 | Motor Base Seal |
| 42 | H-46583044 | Cord (Use with Hoover Motor) |
| 42 | H-46583011 | Cord (Use with GS Motor) |
| 43 | H-43576160 | Motor - F5837-900, F5839-900 |
| 43 | H-43576163 | Motor - F5865-900, F5867-900, F5868-900, F5869-900, F5881-900, F5883-900 |
| 44 | H-34113004 | Motor Seal |
| 45 | H-43436002 | Hose Assembly (w/Turbo Tool) |
| 45 | H-43436004 | Hose Assembly |
| 46 | H-25156518 | "O" Ring |
| 47 | H-21447246 | Screw |
| 48 | H-38783023 | Valve Tank Seal |
| 49 | H-25156517 | "O" Ring |
| 50 | H-38719039 | Solution Hose Coupler |
| 51 | H-38783024 | Valve Duct Seal |
| 52 | H-36151021 | Latch Lock - LH |
| 53 | H-21364107 | Speed Nut |
| 54 | H-36151020 | Latch Lock - RH |
| 55 | H-21447232 | Screw |

* The F5869-990 is identical to the model F5869-900 except for the addition of one 64 oz. bottle of Carpet/Upholstery cleaner.