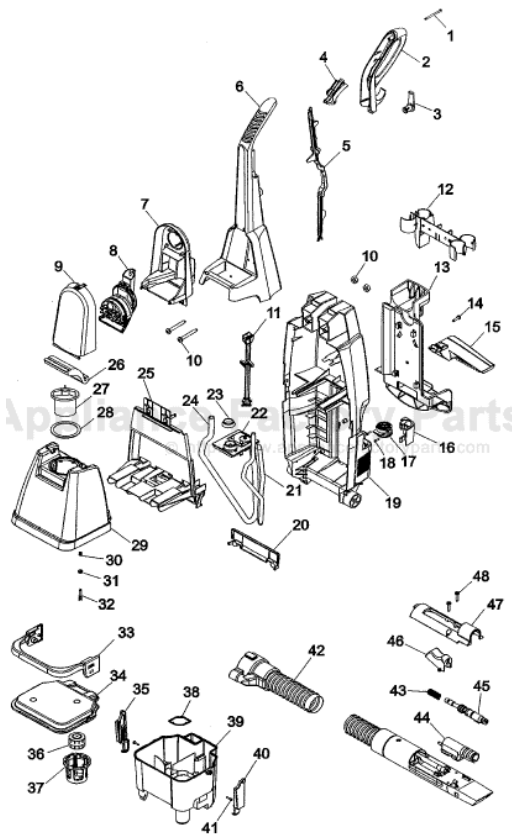


This Owner's Manual is provided and hosted by [Appliance Factory Parts](#).



HOOVER F5891-900 Owner's Manual

[Shop genuine replacement parts for HOOVER
F5891-900](#)



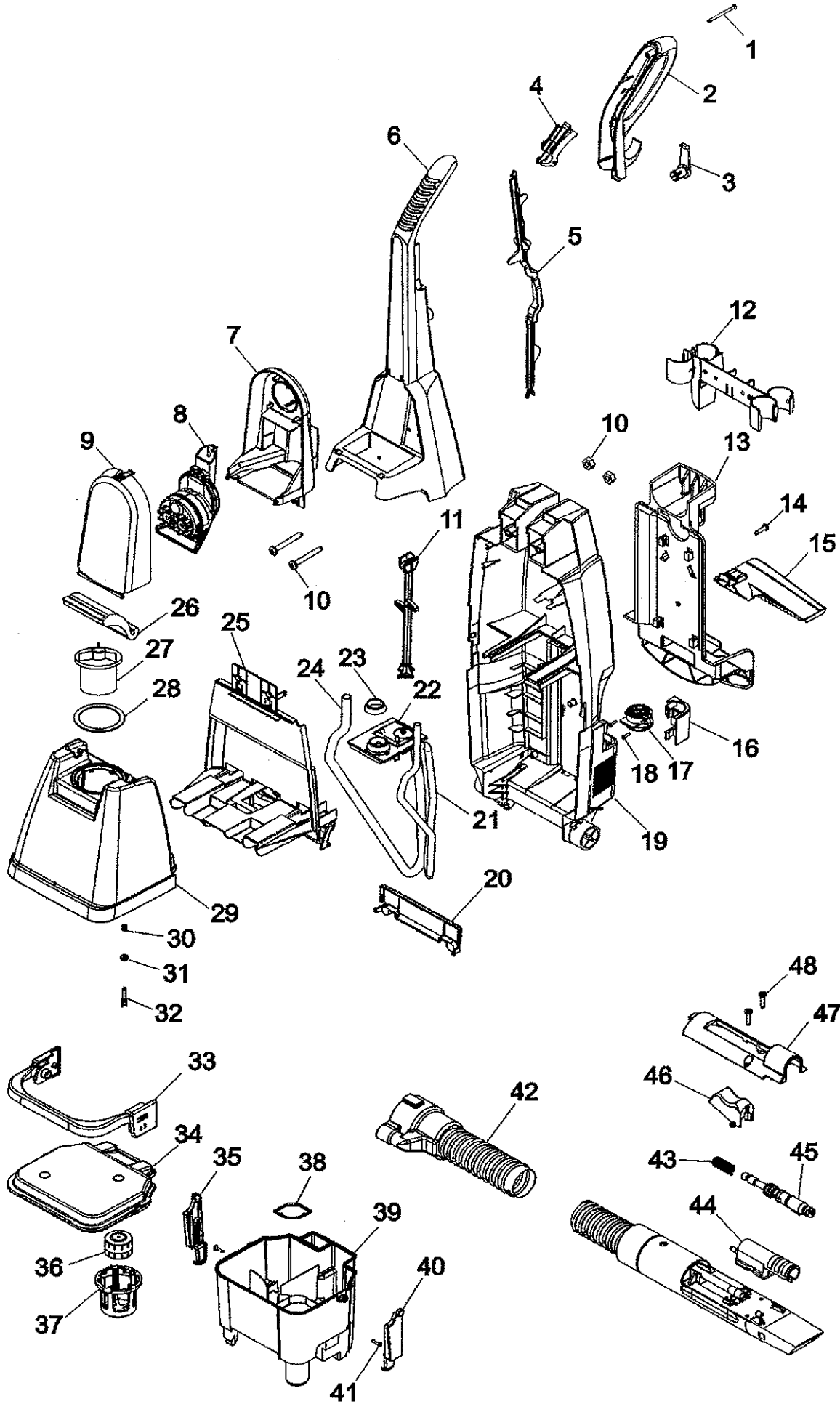
[Find Your HOOVER Vacuum Cleaner Parts - Select From 1455 Models](#)

----- Manual continues below -----

Model Number: F5891900
BOM/Serial #: F5891900
Graphic Title: UPPER ASSEMBLY

Image	Key	Part Number	Description	Substitution	Qty.
1	1	21447248	SCREW-SELF TAPPING-S		1
1	2	90001252	HANDLE LEVER GUARD-AGS		1
1	3	39442048	CORD WRAP-AGS		1
1	4	38434028	CONTROL LEVER-SV III		1
1	5	38458037	UPPER CONTROL ROD-SV		1
1	6	90001301	UPPER HANDLE AGS		1
1	7	90001310	TOOL HOLDER-AGS		1
1	8	91001197	TURBINE NOZZLE		1
1	9	37276012	TOOL DOOR-BU		1
1	10	40201245	HANDLE HARDWARE		1
1	11	38458033	CONTROL ROD - LOWER		1
1	12	90001307	HOSE/NOZZLE HOLDER		1
1	13	36433230	TOOL RACK LOWER-AGS		1
1	14	21447041	SCREW		1
1	15	38613040	NOZZLE BODY W/BRUSH		1
1	16	90001339	HOSE COVER-MAG GRAY		1
1	17	90001341	HOSE CLAMP-MAG GRAY		1
1	18	21447228	SCREW-SELF-TAPPING		2
1	19	90001308	LOWER HANDLE-AGS		1
1	20	90001306	SOLUTION TUBE-COVER		1
1	21	40309002	SERVICE TUBING - STE		1
1	22	90001251	RESERVOIR ASSEMBLY-AGS		1
1	23	38784060	SOLUTION TANK SEAL		1
1	24	40309002	SERVICE TUBING - STE		1
1	25	90001303	HANDLE COVER-AGS		1
1	26	90001213	SOLUTION TANK HANDLE-AGS		1
1	27	90001288	CAP-SERVICE BLACK		1
1	28	92001260	SOL TANK COMP AJA		1
1	29	42272134	SOLUTION TANK		1
1	30	38312014	SPRING		1
1	31	38784061	VALVE SEAL		1
1	32	38717009	VALVE STEM		1
1	33	90001279	RECOVERY TANK HANDLE		1
1	34	90001314	RECOVERY TANK LID ASY		1
1	35	90001296	LATCH ARM-LH		1

Image	Key	Part Number	Description	Substitution	Qty.
1	36	43538001	FLOAT ASSEMBLY		1
1	37	38719043	FLOAT RETAINER		1
1	38	43615086	PRC-SCREEN ASSEM		1
1	39	90001305	RECOVERY TANK-AJA		1
1	40	90001296	LATCH ARM-LH		1
1	41	21447245	SELF-TAP SHLDR SCREW		2
1	42	90001335	HOSE ASSEMBLY-ABU		1
1	43	91001059	WAND VALVE ASSEMBLY		1
1	44	43412007	NOZZLE/VALVE ASSEMBL		1
1	45	38312019	SPRING		1
1	46	38433074	TRIGGER-SV III'S		1
1	47	90001192	WAND		1
1	48	21447239	SCREW		2



Model Number: F5891900
BOM/Serial #: F5891900
Graphic Title: FOOT ASSEMBLY

Image	Key	Part Number	Description	Substitution	Qty.
1	1	23149002	SCREW-SELF TAPPING		1
1	2	90001320	VALVE CRANK ARM		1
1	3	36132003	OVER CENTER SPRING-S		1
1	4	90001323	VALVE TANK SEAL		1
1	5	90001327	PUMP ASSEMBLY-COMPLETE		1
1	6	12002774	SERVICE ASSY.		1
1	7	25156518	O RING-ALL SV III		1
1	8	21447246	SCREW-SV 3.125"		2
1	9	25156517	O RING-ALL SV III		1
1	10	90001321	SOLUTION HOSE COUPLER		1
1	11	21447003	SCREW		1
1	12	21447217	SCREW-SELF TAPPING		6
1	13	38458024	TURBINE ACTUATOR ARM		1
1	14	36151020	LATCH LOCK-RH-SV III		1
1	15	12002774	SERVICE ASSY.		1
1	16	36151021	LATCH LOCK-LH-SV III		1
1	17	34113004	MOTOR SEAL		1
1	18	38783024	VALVE DUCT SEAL-SV I		1
1	19	23149002	SCREW-SELF TAPPING		1
1	20	43466071	DUCT-SV III		1
1	21	38783025	DUCT SEAL-SV-WIDEPAT		1
1	22	39383106	LENS		1
1	23	90001311	NAMEPLATE-CLNNG MODE		1
1	24	37271141	HOOD-AFT		1
1	25	90001269	INDICATOR KNOB-AGS		1
1	26	43613009	SCREEN ASY		1
1	27	43576197	MOTOR 12AMP		1
1	28	93002227	ATTACH CORD-24'		1
1	29	90001281	CORD RETAINER		1
1	30	38784063	STANDPIPE SEAL		1
1	31	21447013	SCREW		2
1	32	38458042	HANDLE RELEASE LEVER		1
1	33	90001223	TRUNNION COVER R.H.-AGS		1
1	34	90001106	SWITCH		1
1	35	38781048	MOTOR BASE SEAL		1

Image	Key	Part Number	Description	Substitution	Qty.
1	36	21447013	SCREW		2
1	37	90001224	TRUNNION CVOER-L.H.-AGS		1
1	38	38434025	SWITCH ACTUATOR LEVER		1
1	39	160017--	LOCK RING		2
1	40	90001222	REAR WHEEL-AGS		2
1	41	32434007	REAR AXLE		2
1	42	90001313	MAIN BODY-AGS		1
1	43	21447072	SCREW		2
1	44	48437022	BRUSH BLOCK-SERVICE		1
1	45	21447217	SCREW-SELF TAPPING		2
1	46	90001355	TURB & GEAR ASY-TOOL CONV MDL		1
1	47	90001331	TOOL ASSY., BARE FLOOR CLEAN		1

