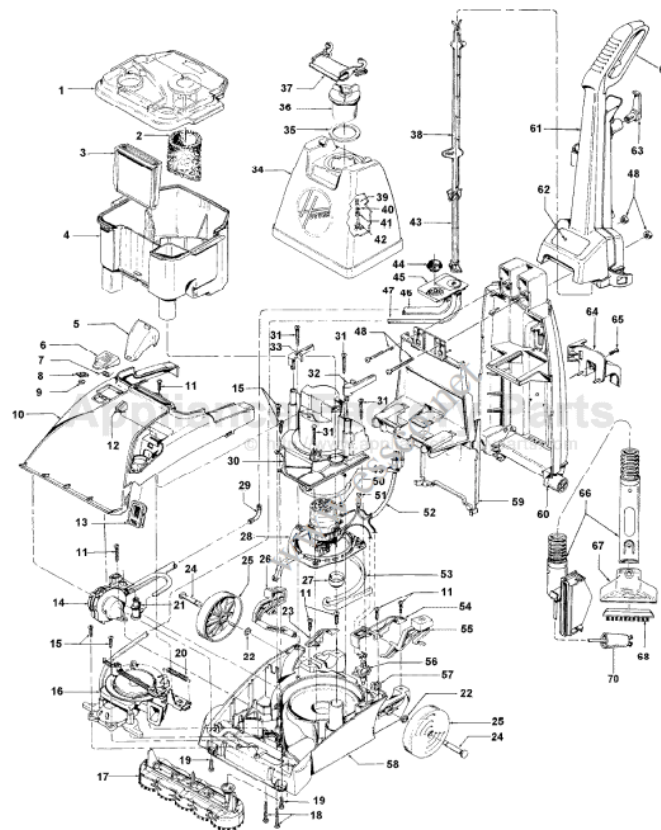


This Owner's Manual is provided and hosted by [Appliance Factory Parts](#).



HOOVER F5909-900 Owner's Manual

[Shop genuine replacement parts for HOOVER
F5909-900](#)

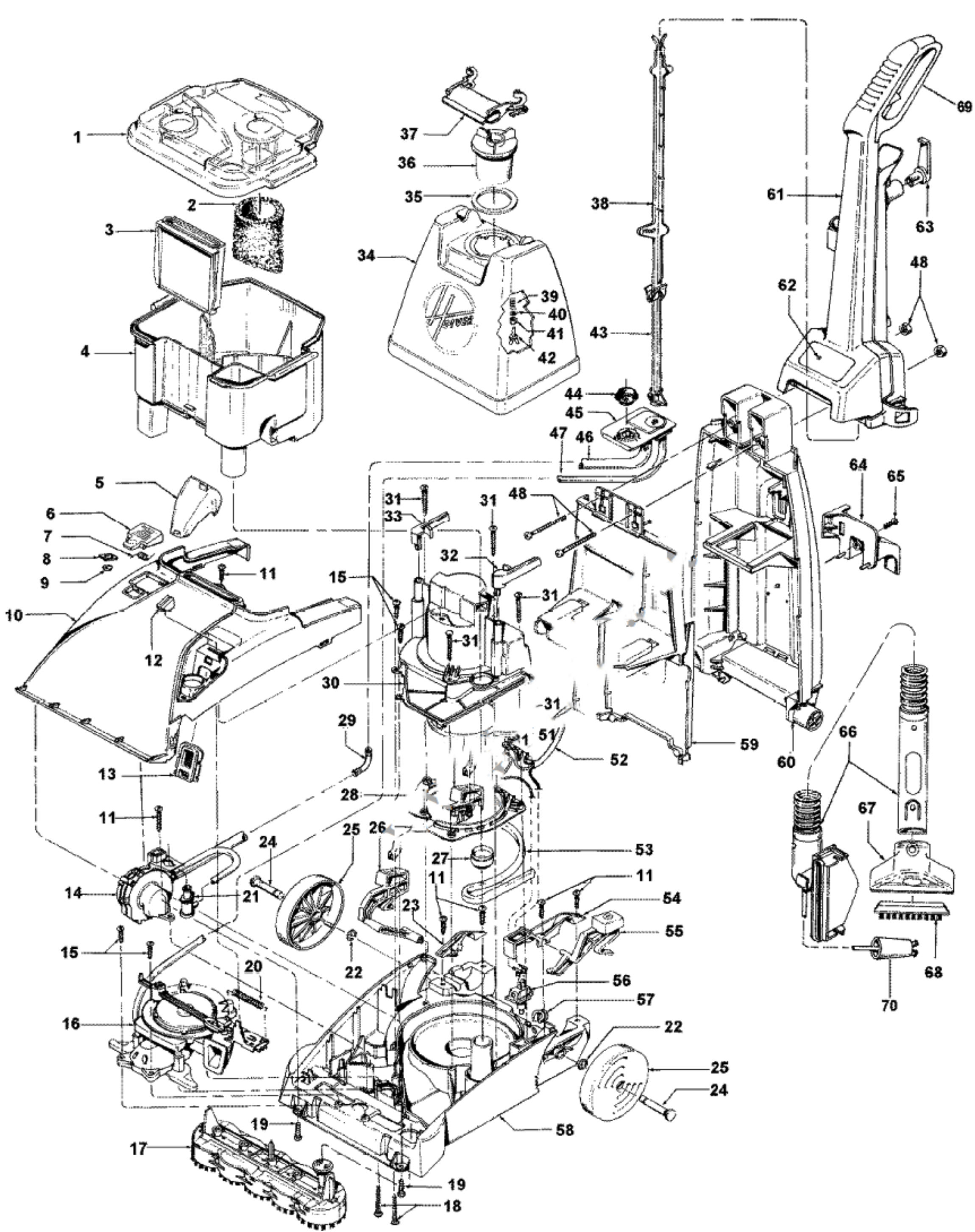


[Find Your HOOVER Vacuum Cleaner Parts - Select From 1456 Models](#)

----- Manual continues below part list -----

Available Replacement Parts for HOOVER F5909-900

| | |
|----------------------------|-------------------------------|
| HR-2400 | Brush block Aftermarket |
| H-38784062 | Gasket . |
| H-38777008 | Recovery Tank without lid . |
| H-39383106 | Lens. |
| H-38613040 | NOZZLE BODY, WITH RELEASE TAB |
| H-38762010 | FILTER, EXTRACTOR FOAM |



Model Number: F5909900

BOM/Serial #: F5909900

Graphic Title: COMPLETE ASSEMBLY

| Image | Key | Part Number | Description | Substitution | Qty. |
|-------|-----|-------------|-----------------------------|--------------|------|
| 1 | 1 | 42272111 | RECOVERY TANK LID | | 1 |
| 1 | 2 | 43611041 | TANK FILTER | | 1 |
| 1 | 3 | 90001217 | DUCT-AJA | | 1 |
| 1 | 4 | 38777081 | RECOVERY TANK-SERVICE | | 1 |
| 1 | 5 | 39383106 | LENS | | 1 |
| 1 | 6 | 90001267 | DOOR-AFU | | 1 |
| 1 | 7 | 38351017 | SPRING -ACCESS DOOR | | 1 |
| 1 | 8 | 38783021 | SEAL | | 1 |
| 1 | 9 | 21362006 | SPEED NUT | | 1 |
| 1 | 10 | 90001268 | HOOD-AFU | | 1 |
| 1 | 11 | 21447020 | SCREW | | 5 |
| 1 | 12 | 90001269 | INDICATOR KNOB-AGS | | 1 |
| 1 | 13 | 43613009 | SCREEN ASY | | 1 |
| 1 | 14 | 43582003 | PUMP ASSEMBLY COMPLETE | | 1 |
| 1 | 15 | 21447217 | SCREW-SELF TAPPING | | 5 |
| 1 | 16 | 91001075 | TURBINE BEARING | | 1 |
| 1 | 16 | 91001020 | TURBINE/GEAR ASSY-5 BRUSHES | | 1 |
| 1 | 17 | 48437022 | BRUSH BLOCK-SERVICE | | 1 |
| 1 | 18 | 21479438 | SCREW | | 2 |
| 1 | 19 | 21447072 | SCREW | | 2 |
| 1 | 20 | 38333009 | SPRING | | 1 |
| 1 | 21 | 43523004 | QUICK DISCONNECT ASY | | 1 |
| 1 | 22 | 160017-- | LOCK RING | | 2 |
| 1 | 23 | 90001223 | TRUNNION COVER R.H.-AGS | | 1 |
| 1 | 24 | 32434007 | REAR AXLE | | 2 |
| 1 | 25 | 90001222 | REAR WHEEL-AGS | | 2 |
| 1 | 26 | 38458042 | HANDLE RELEASE LEVER | | 1 |
| 1 | 27 | 38784063 | STANDPIPE SEAL | | 1 |
| 1 | 28 | 90001167 | MOTOR ASSEM. COMP | 43576197 | 1 |
| 1 | 29 | 33241001 | ELBOW CONNECTOR | | 1 |
| 1 | 30 | 40309006 | SERVICE KIT-MTR COVER | | 1 |
| 1 | 31 | 21447232 | SCREW-SELF TAPPING-F | | 4 |
| 1 | 32 | 90001229 | TANK REL LATCH L.H.-AGS | | 1 |
| 1 | 33 | 90001228 | TANK REL LATCH R.H.-AGS | | 1 |
| 1 | 34 | 42272134 | SOLUTION TANK | | 1 |

| Image | Key | Part Number | Description | Substitution | Qty. |
|-------|-----|-------------|-------------------------------|--------------|------|
| 1 | 35 | 38784062 | GASKET | | 1 |
| 1 | 36 | 42272002 | SOLUTION TANK CAP ASSEM | 12002693 | 1 |
| 1 | 37 | 39457016 | SOLUTION TANK HANDLE | | 1 |
| 1 | 38 | 38458031 | CONTROL ROD - UPPER | | 1 |
| 1 | 39 | 38312014 | SPRING | | 1 |
| 1 | 40 | ----- | NOT REQUIRED PART OR SEE NOTE | | 1 |
| 1 | 41 | 38784061 | VALVE SEAL | | 1 |
| 1 | 42 | 38717009 | VALVE STEM | | 1 |
| 1 | 43 | 38458033 | CONTROL ROD - LOWER | | 1 |
| 1 | 44 | 38784060 | SOLUTION TANK SEAL | | 1 |
| 1 | 45 | 90001251 | RESERVOIR ASSEMBLY-AGS | | 1 |
| 1 | 46 | 40309002 | SERVICE TUBING - STE | | 1 |
| 1 | 47 | 40309002 | SERVICE TUBING - STE | | 1 |
| 1 | 48 | 40201149 | HANDLE HARDWARE ASSEM | | 1 |
| 1 | 49 | 34113004 | MOTOR SEAL | | 1 |
| 1 | 50 | 21447248 | SCREW-SELF TAPPING-S | | 1 |
| 1 | 51 | 012227-- | TERMINALS-0513 | | 1 |
| 1 | 52 | 46583056 | CORD-WP-30 FT-12 AMP | | 1 |
| 1 | 53 | 38781048 | MOTOR BASE SEAL | | 1 |
| 1 | 54 | 90001224 | TRUNNION CVOER-L.H.-AGS | | 1 |
| 1 | 55 | 38434025 | SWITCH ACTUATOR LEVER | | 1 |
| 1 | 56 | 90001106 | SWITCH | | 1 |
| 1 | 57 | 36172016 | CORD RETAINER | 90001281 | 1 |
| 1 | 58 | 90001270 | MAIN BODY ASY | | 1 |
| 1 | 59 | 90001219 | HANDLE COVER-AGS | | 1 |
| 1 | 60 | 39466033 | LOWER HANDLE | | 1 |
| 1 | 61 | 90001271 | UPPER HANDLE ASY COMPLETE | | 1 |
| 1 | 62 | ----- | NOT REQUIRED PART OR SEE NOTE | | 1 |
| 1 | 63 | 90001273 | CORD WRAP-AGS | | 1 |
| 1 | 64 | 91001073 | LOWER TOOL RACK ASY | | 1 |
| 1 | 65 | 21447003 | SCREW | | 1 |
| 1 | 66 | 91001072 | CLEANING TOOL HOSE ASY | | 1 |
| 1 | 67 | 38613040 | NOZZLE BODY W/BRUSH | | 1 |
| 1 | 68 | 48445003 | BRUSH BACK ASSEMBLY- | | 1 |
| 1 | 69 | 90001230 | HANDLE LEVER GUARD-AGS | | 1 |
| 1 | 70 | 43513010 | CONNECTOR COUPLER SL | | 1 |
| 1 | 71 | 57333016 | CARPET CLNG SOLUTION 16OZ | 57333019 | 1 |
| 1 | 71 | 91001071 | TURBINE NOZZLE-AGS | | 1 |

| Image | Key | Part Number | Description | Substitution | Qty. |
|--------------|------------|--------------------|----------------------|---------------------|-------------|
| 1 | 72 | 38784070 | SEAL-FL. RET.-STEAM | | 1 |
| 1 | 72 | 38719027 | FLOAT RETAINER-STEAM | | 1 |
| 1 | 73 | 56518147 | MANUAL, OWNERS | | 1 |