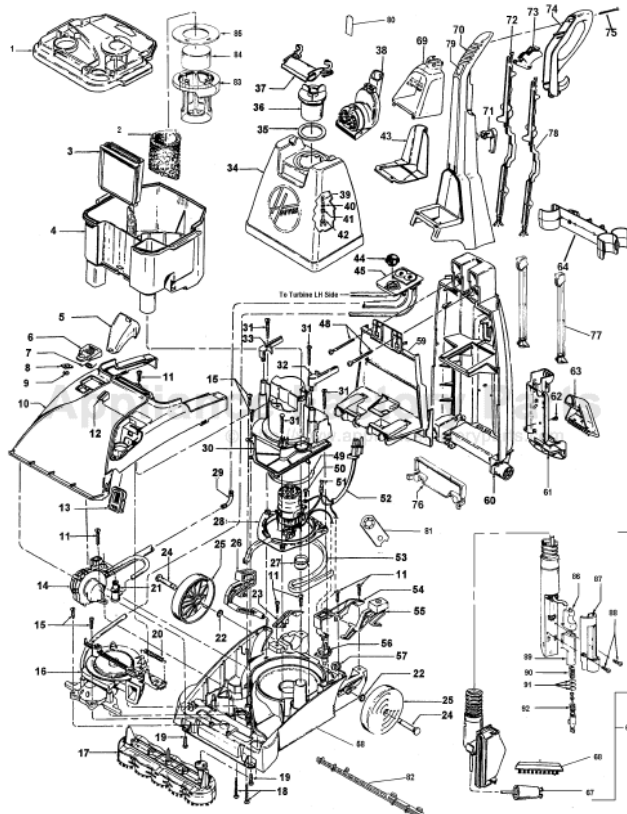


This Owner's Manual is provided and hosted by [Appliance Factory Parts](#).



HOOVER F5910-900 Owner's Manual

[Shop genuine replacement parts for HOOVER
F5910-900](#)

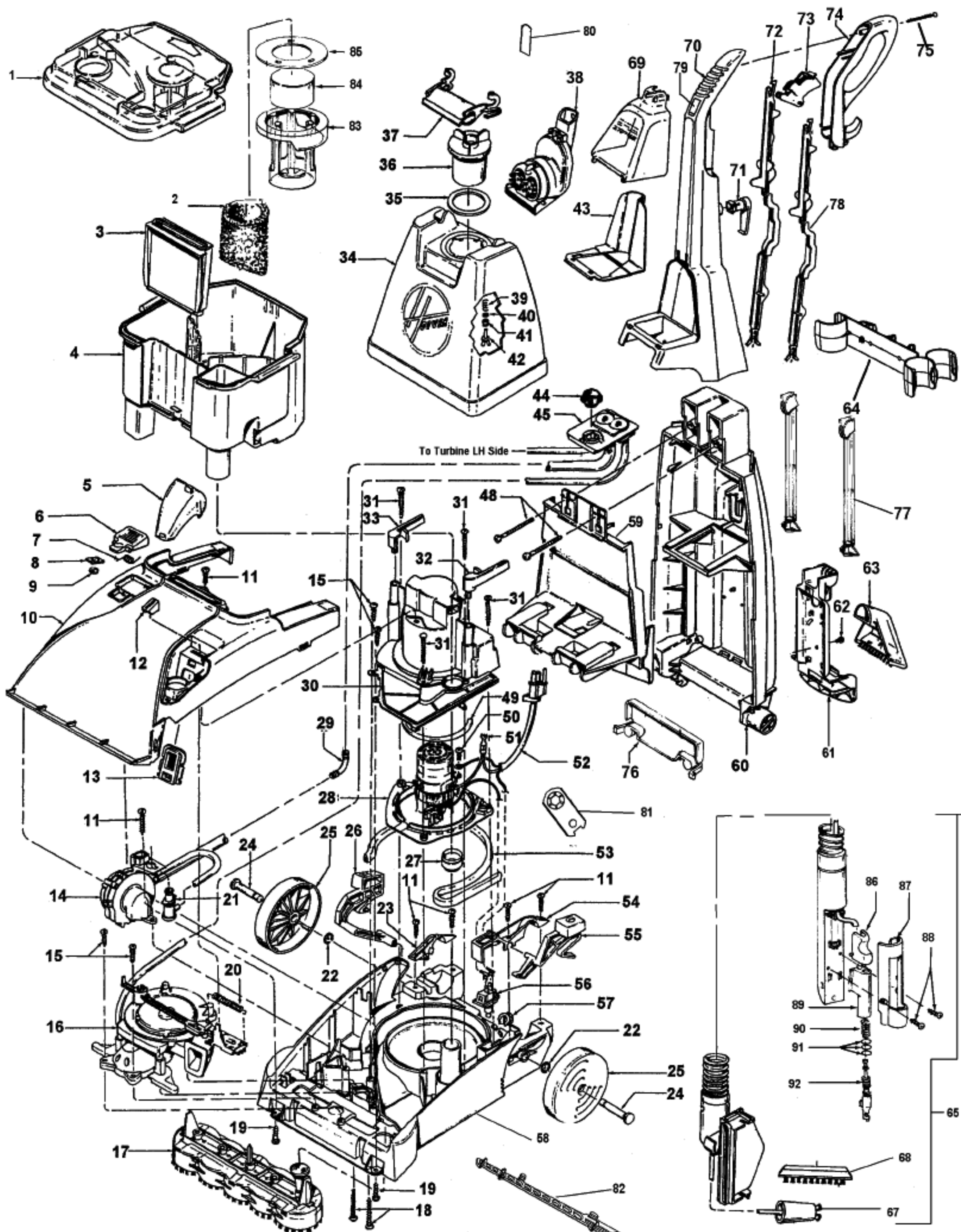


[Find Your HOOVER Vacuum Cleaner Parts - Select From 1456 Models](#)

----- Manual continues below part list -----

Available Replacement Parts for HOOVER F5910-900

| | |
|----------------------------|-------------------------------|
| HR-2400 | Brush block Aftermarket |
| H-38784062 | Gasket . |
| H-38777008 | Recovery Tank without lid . |
| H-39383106 | Lens. |
| H-38613040 | NOZZLE BODY, WITH RELEASE TAB |



| | | |
|--------|----------------|---|
| 1 | H-42272111 | Recovery Tank Lid Assembly (Incl. It. 2) |
| 2 | H-43611041 | Tank Filter |
| 3 | H-38661003 | Duct - AFG |
| 4 | H-38777081 | Recovery Tank (Inc. items 1, 2, 3) |
| 5 | H-39383106 | Lens |
| 6 | | Note: All Doors include items 8 & 9 |
| | H-37257288 | Door - NAA - F5910-900 |
| | H-37257297 | Door - AG - F5903-900, F5904-900, F5912-900 |
| | H-37257307 | Door - AFT - F5914-900 |
| | H-37257308 | Door - ADM - F5905-900 |
| 7 | H-38351017 | Spring -Access Door |
| 8 | H-38783021 | Seal |
| 9 | H-21362006 * | Speed Nut |
| 10 | | Note: All Hoods include items 6, 7, 8, 9 |
| | H-37271108 | Hood - AFM - F5903-900 |
| | H-37271114 | Hood - ABW - F5904-900 |
| | H-37271109 | Hood - NAA - F5910-900 |
| | H-37271096 | Hood - AG - F5912-900 |
| | H-37271110 | Hood - AFT - F5914-900 |
| | H-37271111 | Hood - ADM - F5905-900 |
| 11 | H-21447020 * | Screw - Self Tapping (5) |
| 12 | H-38421093 | Indicator Knob |
| 13 | H-43613009 | Screen Assembly |
| 14 | H-43582003 | Pump Assembly (Incl. It. 21) |
| 15 | H-21447217 * | Screw - Self Tapping (5) |
| 16 | H-43191008 | Turbine and Gear Assembly (Incl. It. 20) |
| 17 | H-48437022 | Brush Block Assem. |
| 18 | H-21479438 * | Screw (2) |
| 19 | H-21447072 * | Screw - Self Tapping (2) |
| 20 | H-38333009 | Spring |
| 21 | H-43523004 | Quick Disconnect Assembly |
| 22 | H-160017-- * | Retaining Ring (2) |
| 23 | H-36131085 | Trunnion Cover - RH |
| 24 | H-32434007 | Rear Axle (2) |
| 25 | H-38522076 | Rear Wheel (2) |
| 26 | H-38458042 | Handle Release Lever |
| 27 | H-38784063 | Standpipe Seal |
| 28 | H-43576197 | Motor - 12 Amp - Hoover |
| 29 | H-33241001 | Elbow Connector |
| 30 | H-40309006 | Motor Cover |
| 31 | H-21447232 * | Screw - Self Tapping (4) |
| 32 | H-36151029 | Tank Release Latch - LH |
| 33 | H-36151019 | Tank Release Latch - RH |
| 34 | H-42272134 | Solution Tank- (Inc. It. 35,36,37,39,41,42) |
| 35 | H-38784062 | Gasket |
| 36 | H-42272002 | Solution Tank Cap |
| 37 | H-39457016 | Solution Tank Handle |
| 38 | H-48439002 | Turbine Nozzle - F5905-900, F5910-900 (See Note) |
| 39 | H-38312014 | Spring - Solution Tank |
| 40 | not applicable | |
| | | Washer -Brass |
| 41 | H-38784061 | Valve Seal |
| 42 | H-38717009 | Valve Stem - Solution Tank |
| 43 | H-36433127 | Tool Holder |
| 44 | H-38784060 | Solution Tank Seal |
| 45 | H-43526016 | Reservoir Assem. (Incl. It. 44) |
| 46, 47 | H-40309002 | Tubing Assembly (Incl. Items 29,46,47) |
| 48 | H-40201154 | Handle Hardware |
| 49 | H-34113004 | Motor Seal |
| 50 | not applicble | Screw - Self Tapping |
| 51 | H-12227 | Insulated Terminal |
| 52 | H-46583056 | Cord - 30' |
| 53 | H-38781048 | Motor Base Seal |
| 54 | H-36131086 | Trunnion Cover - LH |
| 55 | H-38434025 | Switch Actuator Lever |
| 56 | H-28218048 | Switch |
| 57 | H-36172016 | Cord Retainer |
| 58 | H-42274006 | Main Body (Inc. Exhaust Duct Cover) |
| 59 | H-37276002 | Handle Cover |
| 60 | H-39466082 | Lower Handle (Inc. items 45, 76, 77) |
| 61 | H-36433171 | Lower Tool Holder |
| 62 | H-21447041 * | Screw |
| 63 | H-38613040 | Nozzle Body |
| 64 | H-36433172 | Hose Holder - Upper |
| 65 | H-43491039 | Hose Assembly - ABU (Includes items 61, 62, 63) |
| | | Hose Assembly - Clear - F5905-900 (includes items 61, 62, 63) |

| | | |
|----|------------|--|
| 66 | H-38613040 | Nozzle Body |
| 67 | H-43513010 | Connector Coupler Sleeve Assem |
| 68 | H-48445003 | Brush Back Assembly |
| 69 | H-37276014 | Tool Cover - F5903-900, F5910-900 |
| | H-37276011 | Tool Cover - F5904-900, F5912-900 |
| 70 | H-39466039 | Upper Handle (Inc. items 71,72,73,74,75, |
| 71 | H-39442044 | Cord Wrap |
| 72 | H-38458056 | Upper Control Rod |
| 73 | H-38434029 | Control Lever |
| 74 | H-39458007 | Handle Lever Guard |
| 75 | H-21447255 | Screw |
| 76 | H-37276010 | Solution Tube Cover |
| 77 | H-38458033 | Control Rod - Lower |
| 78 | H-38458055 | Control Rod Upper - Rear |
| 79 | H-38433079 | Solution Button |
| 80 | H-51639165 | Nameplate - Clean Surge |
| 81 | H-36132004 | Tubing Retainer |
| 82 | H-38769028 | Exhaust Duct Cover - Main Body |
| 83 | H-38719027 | Float Retainer |
| 84 | H-43538001 | Float |
| 85 | H-38784070 | Seal - Float Retainer |
| 86 | H-38433074 | Trigger |
| 87 | H-37276006 | Wand Cover |
| 88 | H-21447239 | * Screw |
| 89 | H-43513011 | Wand / Valve Assembly |
| 90 | H-38312019 | Spring |
| 91 | N/A | O-Ring (included with item 92) |
| 92 | H-43412007 | Nozzle Valve Assembly |

Items Not Illustrated

Labels

| | | |
|------------|---|--------------------------------------|
| H-51638055 | * | Handle Release Label |
| H-51865024 | * | On / Off Label |
| H-51639124 | * | Door Label - Uph. & Stair Clng Conn. |
| H-51855030 | | Agitator Speed Label |

Lead Wires

| | |
|------------|--------------------|
| H-49811079 | Lead Wire - White |
| H-49811080 | Lead Wire - Purple |
| H-49811081 | Lead Wire - Red |

Accessories

| | |
|------------|-----------------------------------|
| H-40301032 | Carpet Cleaning Solution - 32 Oz. |
| H-40302016 | Pre Cleaner - 16 Oz. |
| H-43412003 | Sprayer |
| H-57333016 | Carpet Cleaning Solution - 16 Oz. |

Packaging Material

| | |
|------------|--|
| H-56518158 | Owner Manual - F5903-900, F5905-900, F5910-900, F5914-900 |
| H-56518159 | Owner Manual - F5904-900, F5912-900 |
| H-58176192 | Carton - F5910-900 |
| H-58176023 | Carton - Common - F5903-900, F5904-900, F5905-900, F5914-900 |
| H-58176189 | Carton - F5912-900 |

Note: The 48439002 is mounted in the upper handle on the F5903-900 & F5910-900 and is packed in the carton on the F5904-900 & F5912-900.