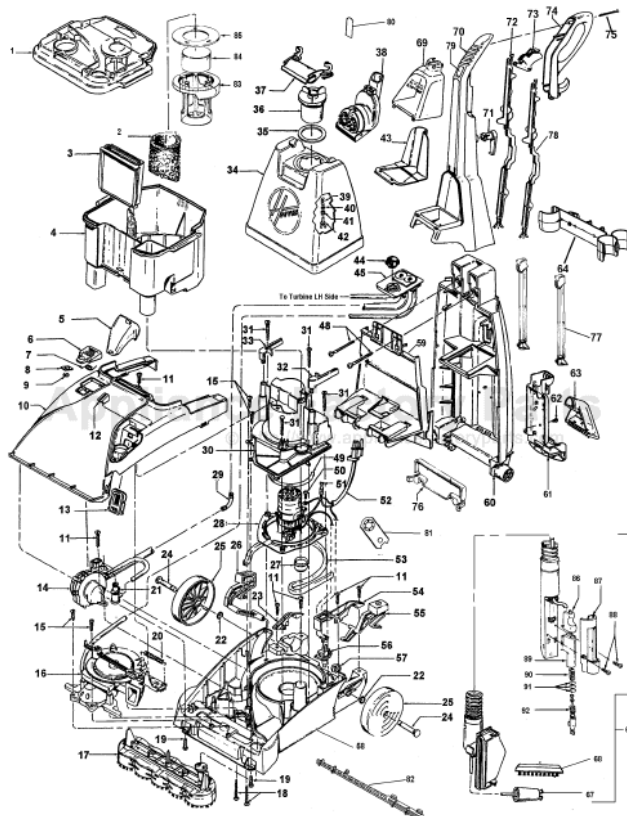


This Owner's Manual is provided and hosted by [Appliance Factory Parts](#).



# HOOVER F5915-900 Owner's Manual

[Shop genuine replacement parts for HOOVER  
F5915-900](#)

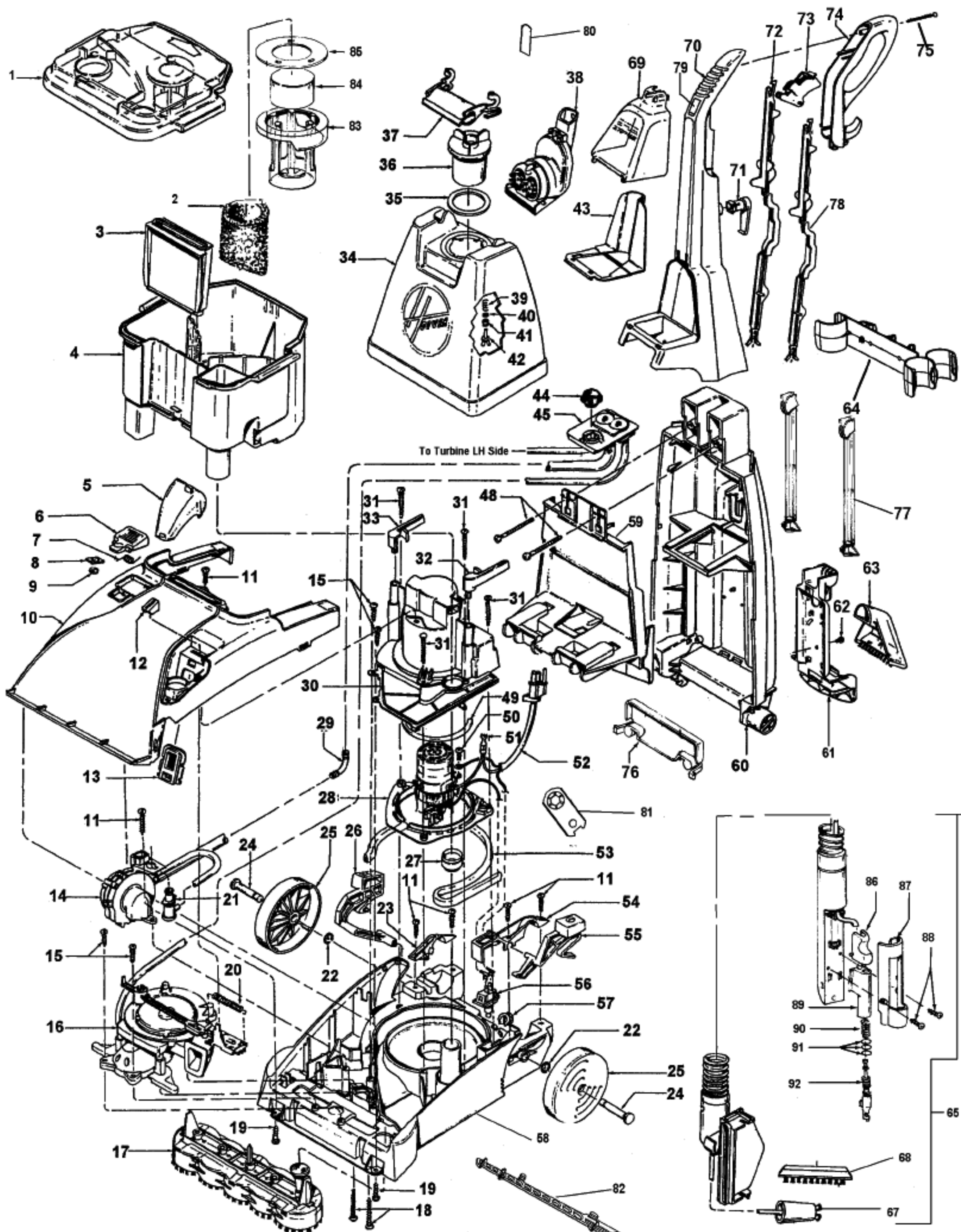


[Find Your HOOVER Vacuum Cleaner Parts - Select From 1456 Models](#)

----- Manual continues below part list -----

## Available Replacement Parts for HOOVER F5915-900

|                            |                               |
|----------------------------|-------------------------------|
| <a href="#">HR-2400</a>    | Brush block Aftermarket       |
| <a href="#">H-38784062</a> | Gasket .                      |
| <a href="#">H-38777008</a> | Recovery Tank without lid .   |
| <a href="#">H-39383106</a> | Lens.                         |
| <a href="#">H-38613040</a> | NOZZLE BODY, WITH RELEASE TAB |



|        |                |   |
|--------|----------------|---|
| 1      | H-42272111     | Recovery Tank Lid Assembly (Incl. It. 2)                    |
| 2      | H-43611041     | Tank Filter   |
| 3      | H-38661003     | Duct - AFG  |
| 4      | H-38777081     | Recovery Tank (Inc. items 1, 2, 3)                          |
| 5      | H-39383106     | Lens  |
| 6      |                | Note: All Doors include items 8 & 9                         |
|        | H-37257288     | Door - NAA - F5910-900                                      |
|        | H-37257297     | Door - AG - F5903-900, F5904-900, F5912-900                 |
|        | H-37257307     | Door - AFT - F5914-900                                      |
|        | H-37257308     | Door - ADM - F5905-900                                      |
| 7      | H-38351017     | Spring -Access Door   |
| 8      | H-38783021     | Seal  |
| 9      | H-21362006 *   | Speed Nut   |
| 10     |                | Note: All Hoods include items 6, 7, 8, 9                    |
|        | H-37271108     | Hood - AFM - F5903-900                                      |
|        | H-37271114     | Hood - ABW - F5904-900                                      |
|        | H-37271109     | Hood - NAA - F5910-900                                      |
|        | H-37271096     | Hood - AG - F5912-900                                       |
|        | H-37271110     | Hood - AFT - F5914-900                                      |
|        | H-37271111     | Hood - ADM - F5905-900                                      |
| 11     | H-21447020 *   | Screw - Self Tapping (5)                                    |
| 12     | H-38421093     | Indicator Knob  |
| 13     | H-43613009     | Screen Assembly   |
| 14     | H-43582003     | Pump Assembly (Incl. It. 21)                                |
| 15     | H-21447217 *   | Screw - Self Tapping (5)                                    |
| 16     | H-43191008     | Turbine and Gear Assembly (Incl. It. 20)                    |
| 17     | H-48437022     | Brush Block Assem.  |
| 18     | H-21479438 *   | Screw (2)   |
| 19     | H-21447072 *   | Screw - Self Tapping (2)                                    |
| 20     | H-38333009     | Spring  |
| 21     | H-43523004     | Quick Disconnect Assembly                                   |
| 22     | H-160017-- *   | Retaining Ring (2)  |
| 23     | H-36131085     | Trunnion Cover - RH   |
| 24     | H-32434007     | Rear Axle (2)   |
| 25     | H-38522076     | Rear Wheel (2)  |
| 26     | H-38458042     | Handle Release Lever  |
| 27     | H-38784063     | Standpipe Seal  |
| 28     | H-43576197     | Motor - 12 Amp - Hoover                                     |
| 29     | H-33241001     | Elbow Connector   |
| 30     | H-40309006     | Motor Cover   |
| 31     | H-21447232 *   | Screw - Self Tapping (4)                                    |
| 32     | H-36151029     | Tank Release Latch - LH                                     |
| 33     | H-36151019     | Tank Release Latch - RH                                     |
| 34     | H-42272134     | Solution Tank- (Inc. It. 35,36,37,39,41,42)                 |
| 35     | H-38784062     | Gasket  |
| 36     | H-42272002     | Solution Tank Cap   |
| 37     | H-39457016     | Solution Tank Handle  |
| 38     | H-48439002     | Turbine Nozzle - F5905-900, F5910-900 (See Note)            |
| 39     | H-38312014     | Spring - Solution Tank                                      |
| 40     | not applicable |   |
|        |                | Washer -Brass   |
| 41     | H-38784061     | Valve Seal  |
| 42     | H-38717009     | Valve Stem - Solution Tank                                  |
| 43     | H-36433127     | Tool Holder   |
| 44     | H-38784060     | Solution Tank Seal  |
| 45     | H-43526016     | Reservoir Assem. (Incl. It. 44)                             |
| 46, 47 | H-40309002     | Tubing Assembly (Incl. Items 29,46,47)                      |
| 48     | H-40201154     | Handle Hardware   |
| 49     | H-34113004     | Motor Seal  |
| 50     | not applicble  | Screw - Self Tapping  |
| 51     | H-12227        | Insulated Terminal  |
| 52     | H-46583056     | Cord - 30'  |
| 53     | H-38781048     | Motor Base Seal   |
| 54     | H-36131086     | Trunnion Cover - LH   |
| 55     | H-38434025     | Switch Actuator Lever                                       |
| 56     | H-28218048     | Switch  |
| 57     | H-36172016     | Cord Retainer   |
| 58     | H-42274006     | Main Body (Inc. Exhaust Duct Cover)                         |
| 59     | H-37276002     | Handle Cover  |
| 60     | H-39466082     | Lower Handle (Inc. items 45, 76, 77)                        |
| 61     | H-36433171     | Lower Tool Holder   |
| 62     | H-21447041 *   | Screw   |
| 63     | H-38613040     | Nozzle Body   |
| 64     | H-36433172     | Hose Holder - Upper   |
| 65     | H-43491039     | Hose Assembly - ABU (Includes items 61, 62, 63)             |
|        |                | Hose Assembly - Class F5905-900 (includes items 64, 65, 66) |

|    |            |  |
|----|------------|--|
| 66 | H-38613040 | Nozzle Body                              |
| 67 | H-43513010 | Connector Coupler Sleeve Assem           |
| 68 | H-48445003 | Brush Back Assembly                      |
| 69 | H-37276014 | Tool Cover - F5903-900, F5910-900        |
|    | H-37276011 | Tool Cover - F5904-900, F5912-900        |
| 70 | H-39466039 | Upper Handle (Inc. items 71,72,73,74,75, |
| 71 | H-39442044 | Cord Wrap                                |
| 72 | H-38458056 | Upper Control Rod                        |
| 73 | H-38434029 | Control Lever                            |
| 74 | H-39458007 | Handle Lever Guard                       |
| 75 | H-21447255 | Screw                                    |
| 76 | H-37276010 | Solution Tube Cover                      |
| 77 | H-38458033 | Control Rod - Lower                      |
| 78 | H-38458055 | Control Rod Upper - Rear                 |
| 79 | H-38433079 | Solution Button                          |
| 80 | H-51639165 | Nameplate - Clean Surge                  |
| 81 | H-36132004 | Tubing Retainer                          |
| 82 | H-38769028 | Exhaust Duct Cover - Main Body           |
| 83 | H-38719027 | Float Retainer                           |
| 84 | H-43538001 | Float                                    |
| 85 | H-38784070 | Seal - Float Retainer                    |
| 86 | H-38433074 | Trigger                                  |
| 87 | H-37276006 | Wand Cover                               |
| 88 | H-21447239 | * Screw                                  |
| 89 | H-43513011 | Wand / Valve Assembly                    |
| 90 | H-38312019 | Spring                                   |
| 91 | N/A        | O-Ring (included with item 92)           |
| 92 | H-43412007 | Nozzle Valve Assembly                    |

#### Items Not Illustrated

#### Labels

|            |   |                                      |
|------------|---|--------------------------------------|
| H-51638055 | * | Handle Release Label                 |
| H-51865024 | * | On / Off Label                       |
| H-51639124 | * | Door Label - Uph. & Stair Clng Conn. |
| H-51855030 |   | Agitator Speed Label                 |

#### Lead Wires

|            |                    |
|------------|--------------------|
| H-49811079 | Lead Wire - White  |
| H-49811080 | Lead Wire - Purple |
| H-49811081 | Lead Wire - Red    |

#### Accessories

|            |                                   |
|------------|-----------------------------------|
| H-40301032 | Carpet Cleaning Solution - 32 Oz. |
| H-40302016 | Pre Cleaner - 16 Oz.              |
| H-43412003 | Sprayer                           |
| H-57333016 | Carpet Cleaning Solution - 16 Oz. |

#### Packaging Material

|            |  |
|------------|--|
| H-56518158 | Owner Manual - F5903-900, F5905-900, F5910-900, F5914-900    |
| H-56518159 | Owner Manual - F5904-900, F5912-900                          |
| H-58176192 | Carton - F5910-900   |
| H-58176023 | Carton - Common - F5903-900, F5904-900, F5905-900, F5914-900 |
| H-58176189 | Carton - F5912-900   |

Note: The 48439002 is mounted in the upper handle on the F5903-900 & F5910-900 and is packed in the carton of the F5904-900 & F5912-900.