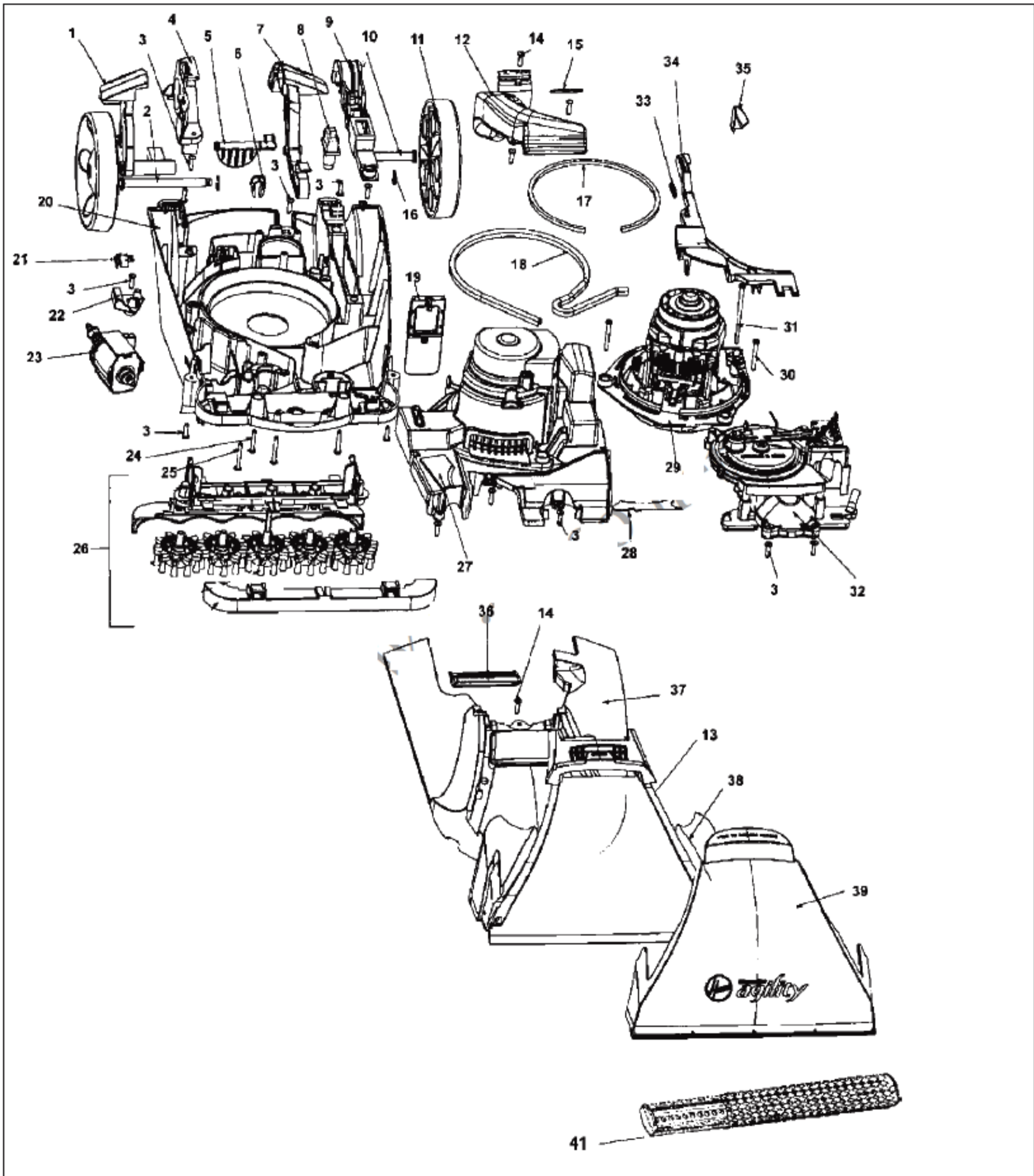


HOOVER Original

AGILITY STEAM VAC

Models F6205-900, F6210-900, F6212-900, F6215-900, F6215-910



Original **HOOVER**

AGILITY STEAM VAC

Models F6205-900, F6210-900, F6212-900, F6215-900

| <u>KEY</u> | <u>PART NO.</u> | <u>DESCRIPTION</u> |
|------------|-----------------|------------------------|
| 1 | H-90001064 | Handle Release Lever |
| 2 | H-90001107 | Rear Wheel Axle RH |
| 3 | H-21447003 | Screw |
| 4 | H-90001067 | Trunnion Cover RH |
| 5 | H-90001068 | Valve Door- Standpipe |
| 6 | H-36172016 | Cord Retainer |
| 7 | H-90001063 | Switch Actuation Pedal |
| 8 | H-90001106 | Switch |
| 9 | H-90001066 | Trunnion Cover LH |
| 10 | H-90001108 | Rear Wheel Axle LH |
| 11 | H-90001065 | Rear Wheel |
| 12 | H-90001104 | Recovery Duct |
| 13 | H-90001058 | Nozzle Back Plate Seal |
| 14 | H-21447242 | Screw |
| 15 | H-90001103 | O Ring |
| 16 | H-160017 | Retaining Ring |
| 17 | H-34113004 | Motor Seal |
| 18 | H-38781048 | Motor Base Seal |
| 19 | H-43613018 | Filter Screen |
| 20 | H-90001036 | Main Body Assembly |
| 21 | H-90001102 | Switch |
| 22 | H-90001062 | Switch Bracket |
| 23 | H-90001105 | Pump Assembly |
| 24 | H-21447236 | Screw |
| 25 | H-21479438 | Screw |
| 26 | H-48437029 | Brush Block Assembly |
| 27 | H-90001061 | Motor Cover |
| 28 | H-90001111 | Seal - Motor Cover |
| 29 | H-43576197 | Motor |

| <u>KEY</u> | <u>PART NO.</u> | <u>DESCRIPTION</u> |
|------------|-----------------|--|
| 30 | H-21447232 | Screw |
| 31 | H-21447246 | Screw |
| 32 | H-91001002 | Turbine And Gear Assembly |
| 33 | H-38331006 | Actuator Arm Spring |
| 34 | H-90001060 | Turbine Actuator Arm |
| 35 | H-38421114 | Indicator Knob |
| 36 | H-90001059 | Recovery Duct Seal |
| 37 | H-90001085 | Hood - AHF - F6215-900, F6215-910 |
| 37 | H-90001086 | Hood -AHD- F6205-900 |
| 37 | H-90001035 | Hood - AHC -F6210-900, F6212-900 |
| 38 | H-90001057 | Nozzle Back Plate Assembly (Includes Item 13) |
| 39 | H-90001056 | Nozzle Front Plate |
| | H-90001109 | Attachment Cord (Not Shown) |
| 41 | H-91001007 | Bare Floor Cleaning Tool |

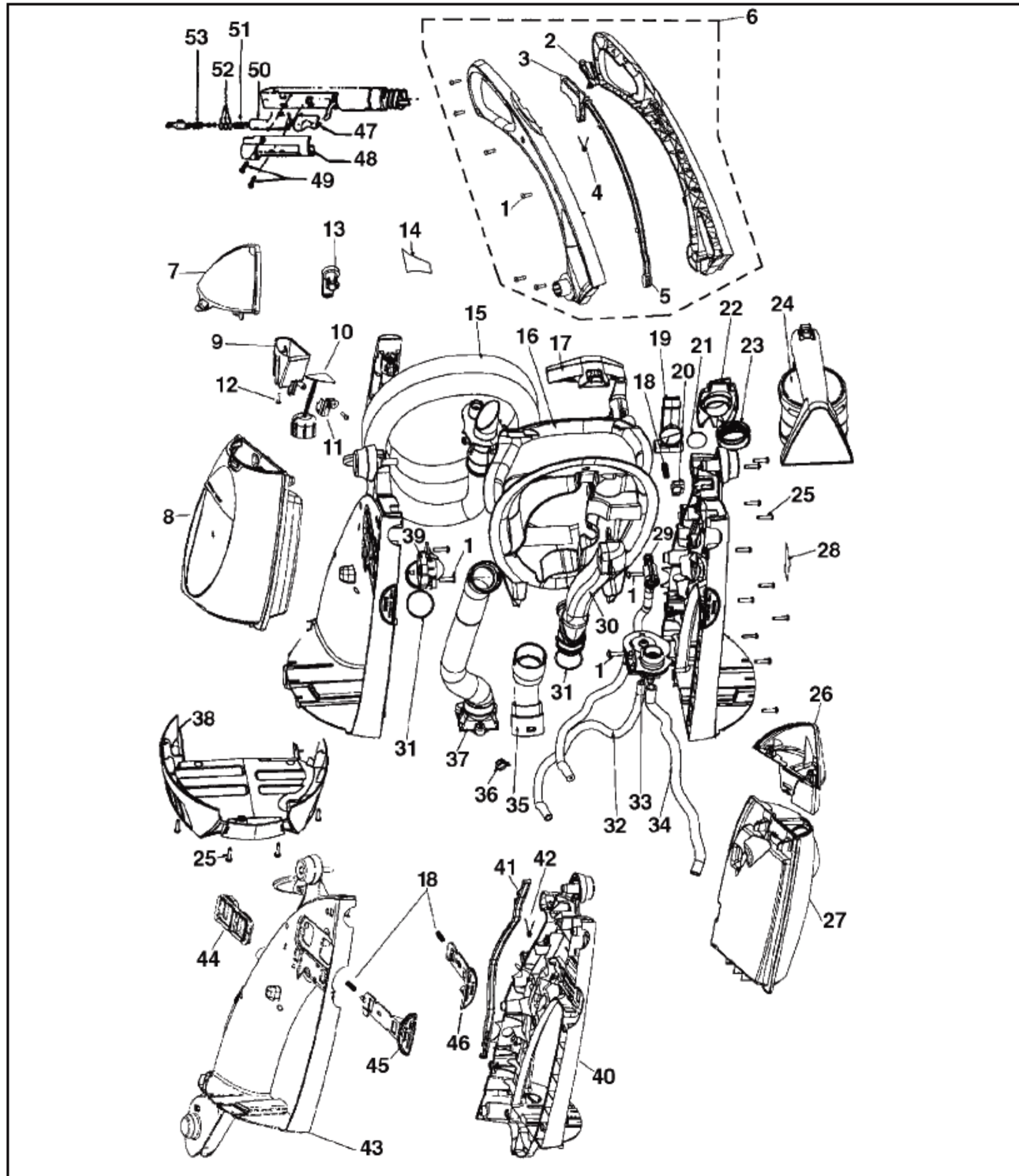
Items not illustrated:

H-27479307 Cable Tie

HOOVER Original

AGILITY STEAM VAC

Models F6205-900, F6210-900, F6212-900, F6215-900, F6215-910



| KEY | PART NO. | DESCRIPTION | KEY | PART NO. | DESCRIPTION |
|-----|------------|--|-----|------------|---|
| 1 | H-21447043 | Screw | 26 | H-37274078 | Lid Cover Assembly - AHJ - F6215-900, F6215-910 |
| 2 | H-90001046 | Solution Actuator For Surge | 26 | H-90001044 | Lid Cover Assembly - AHR - F6210-900, F6212-900 |
| 3 | H-90001047 | Solution Actuator For Normal | 26 | H-90001094 | Lid Cover Assembly - AHK - F6205-900 |
| 4 | H-90001048 | Spring | 27 | H-90001091 | Solution Tank Assembly - AHJ - F6215-900, F6215-910 |
| 5 | N/A | Control Rod Upper (Order Key 6) | 27 | H-90001092 | Solution Tank Assembly - AHK - F6205-900 |
| 6 | H-90001045 | Upper Handle Complete (Includes Items 1, 2, 3, 4, & 5) F6212-900, F6215-900, F6215-960 | 27 | H-90001043 | Solution Tank Assembly - AHR - F6210-900, F6212-900 |
| 6 | H-90001097 | Upper Handle Complete (Includes Items 1, 3, 4, & 5) F6205-900, F6210-900 | 28 | N/A | Label |
| 7 | H-90001089 | Lid Cover Assembly - AHJ - F6215-900, F6215-910 | 29 | H-90001074 | Quick Disconnect |
| 7 | H-37274083 | Lid Cover Assembly - AHR - F6210-900, F6212-900 | 30 | H-90001110 | Solution Duct |
| 7 | H-90001044 | Lid Cover Assembly - AHK - F6205-900 (Includes Items 7, 9, 10, 11, and 12) | 31 | H-90001103 | O Ring |
| 8 | H-90001087 | Recovery Tank Assembly - AHJ - F6215-900, F6215-910 (Includes Items 7, 9, 10, 11, and 12) | 32 | H-90001076 | Tubing |
| 8 | H-90001088 | Recovery Tank Assembly - AHK - F6205-900 (Includes Items 7, 9, 10, 11, and 12) | 33 | H-90001073 | Reservoir |
| 8 | H-90001038 | Recovery Tank Assembly - AHR - F6210-900, F6212-900 (Includes Items 7, 9, 10, 11, and 12) | 34 | H-90001075 | Tubing |
| 9 | H-90001040 | Separator Channel | 35 | H-90001080 | Hose Complete |
| 10 | H-90001041 | Float | 36 | H-25411015 | Hose Clamp |
| 11 | H-90001042 | Float Guide | 37 | H-90001079 | Air Hose Complete |
| 12 | H-21447231 | Screw | 38 | H-90001069 | Lower Handle Cover |
| 13 | H-39442048 | Cord Wrap | 39 | H-90001077 | Air Return Elbow |
| 14 | N/A | Label | 40 | H-90001052 | Lower Handle Assembly Left Half - MV (Includes Items 18, 41, 42, And 46) |
| 15 | H-91001004 | Cleaning Tool Hose - F6212-900, F6215-900, F6215-910 | 41 | H-90001053 | Control Rod - Lower |
| 15 | H-91001008 | Cleaning Tool Hose - F6205-900, F6210-900 | 42 | H-90001048 | Spring |
| 16 | H-90001055 | Tool Caddy | 43 | H-90001049 | Lower Handle Assembly Right Half - MV (Includes Items 18, 44, And 45) |
| 17 | H-38613040 | Nozzle Body Tool | 44 | H-90001050 | Seal |
| 18 | H-90001037 | Spring | 45 | H-90001051 | Recovery Tank Release Latch |
| 19 | H-90001070 | Latch - Upper Handle | 46 | H-90001054 | Solution Tank Release Latch |
| 20 | H-90001072 | Spacer | 47 | H-38433074 | Trigger - AG |
| 21 | H-51661020 | Medallion | 48 | H-37276006 | Wand Cover |
| 22 | H-90001071 | Door-Tool Port | 49 | H-21447239 | Screw |
| 23 | H-90001078 | Seal - Tool | 50 | H-90001006 | Wand / Valve Assembly - F6210-900, F6212-900, F6215-900, F6215-910 |
| 24 | H-91001003 | Turbine Nozzle | 50 | H-90001009 | Wand / Valve Assembly - F6205-900 |
| 24 | H-48434006 | Brush Assembly (2 Required) (Not Shown) | 51 | H-38312019 | Spring And "O" Ring |
| 25 | H-21447003 | Screw | 52 | N/A | O-Ring (Included With Item 51) |
| | | | 53 | H-43412007 | Nozzle/Valve Assembly |

NA = Not Available