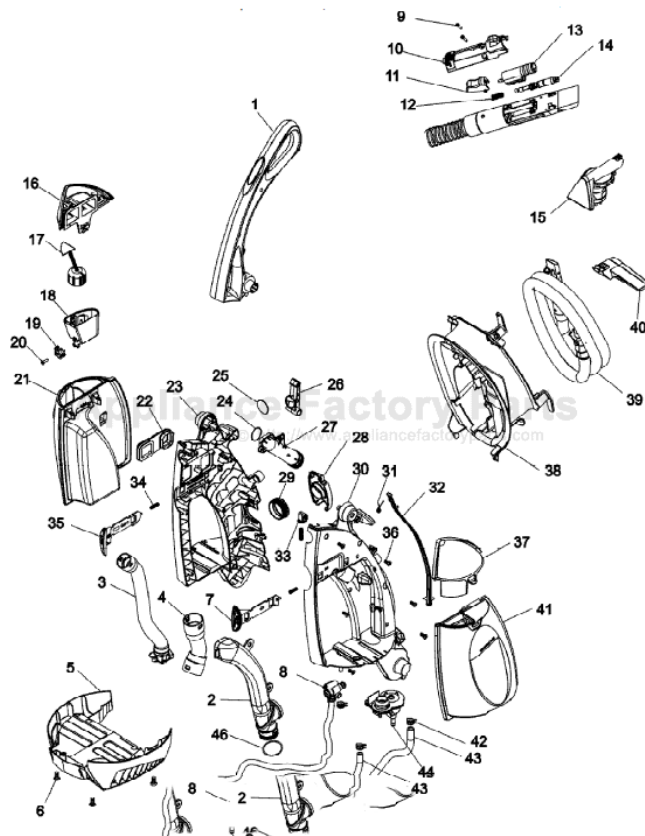


This Owner's Manual is provided and hosted by [Appliance Factory Parts](http://ApplianceFactoryParts.com).



HOOVER F6211-900 Owner's Manual

[Shop genuine replacement parts for HOOVER
F6211-900](#)



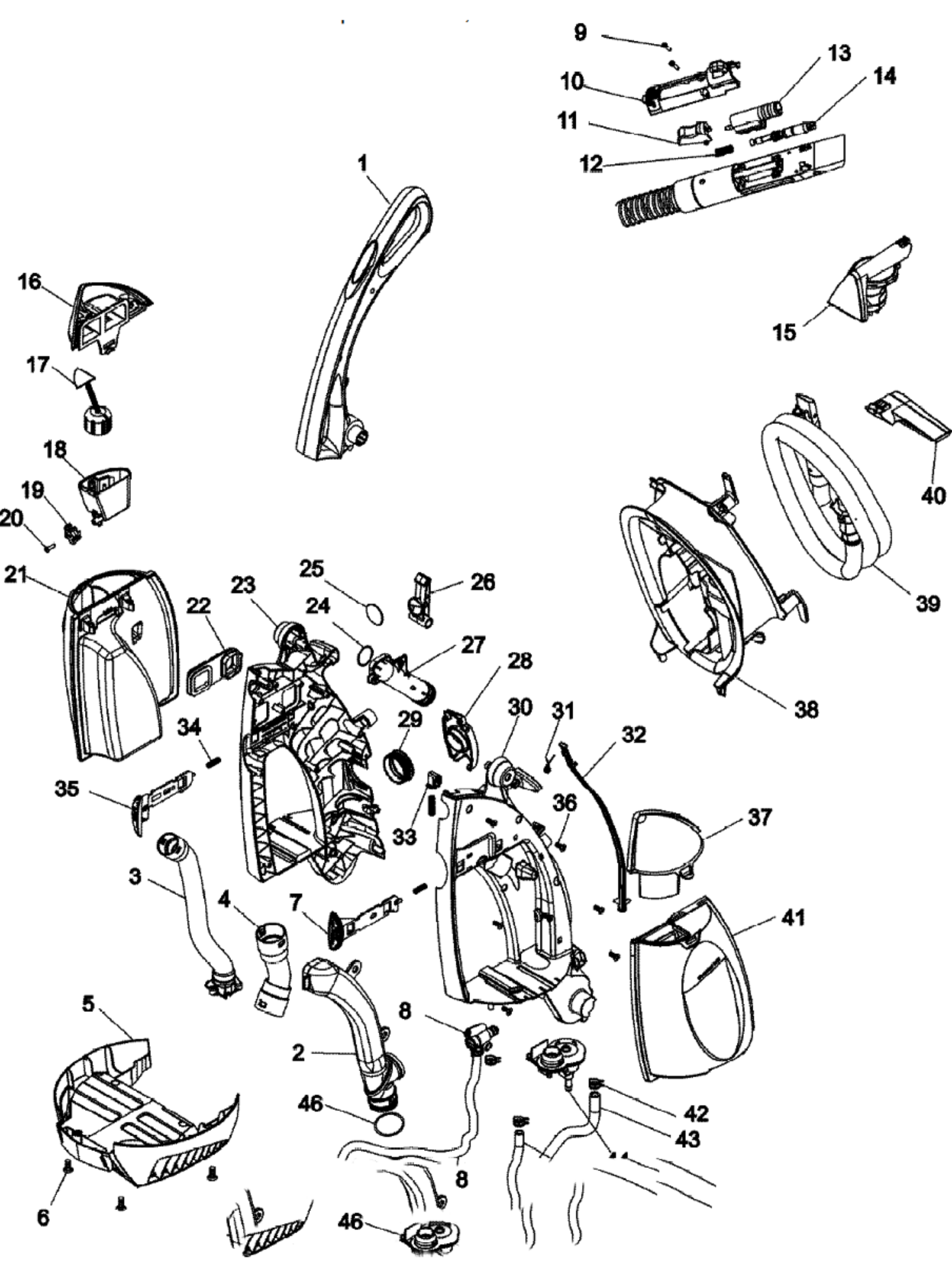
[Find Your HOOVER Vacuum Cleaner Parts - Select From 1456 Models](#)

----- Manual continues below part list -----

Available Replacement Parts for HOOVER F6211-900

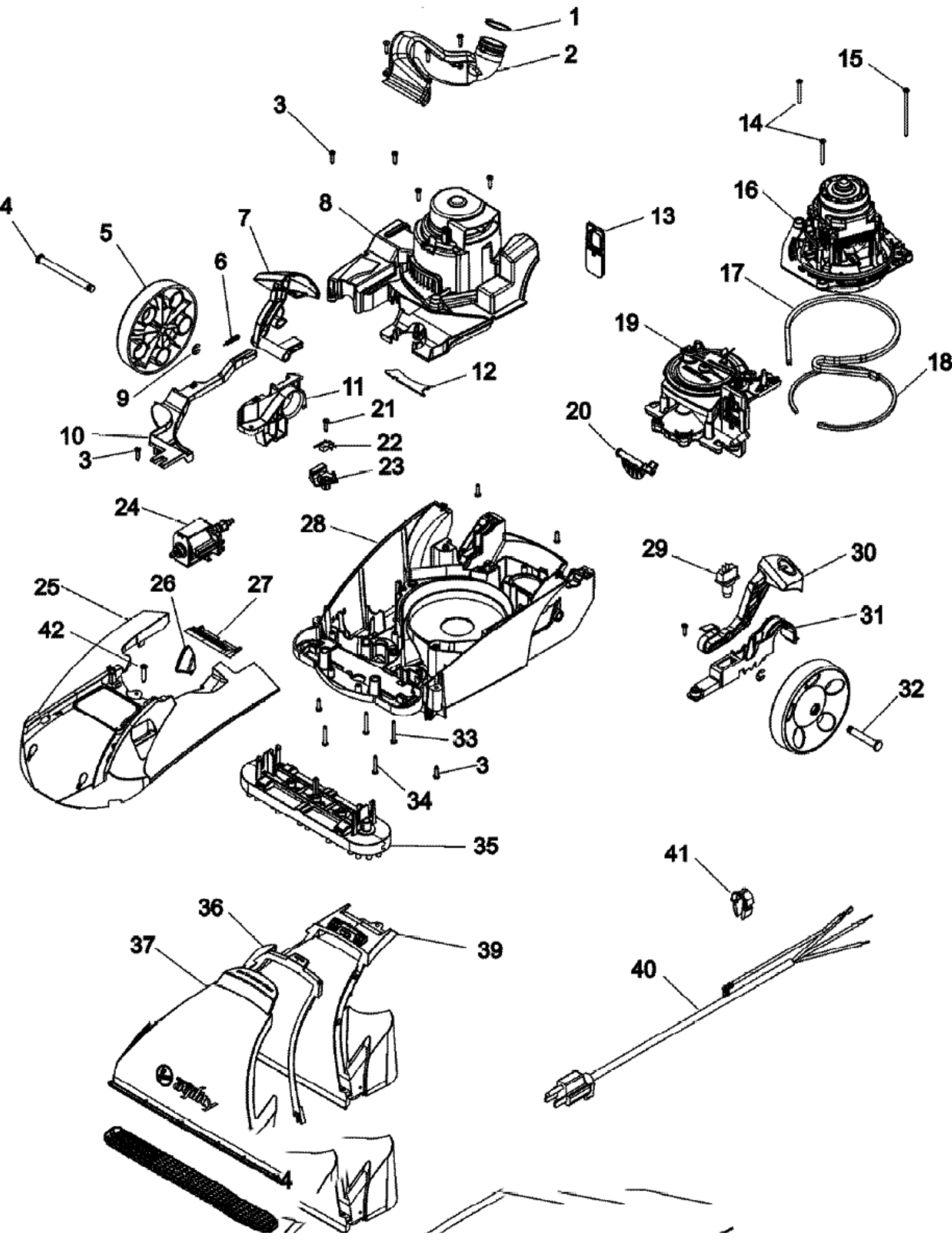
[H-38613040](#)

NOZZLE BODY, WITH RELEASE TAB



Item	Part Number	Part Description	Alt Part	Series	Qty
42	25411015	HOSE CLAMP		10	1
43	90001075	TUBING		10	1
44	90001073	RESERVOIR-WELDED		10	1
45	90001076	TUBING		10	1
46	90001103	O-RING HOSE ENDS		10	1

Item	Part Number	Part Description	Alt Part	Series	Qty
1	90001045	UPPER HANDLE ASSEM		10	1
2	90001204	SOLUTION DUCT		10	1
3	90001079	AIR HOSE COMPLETE		10	1
4	90001080	HOSE COMP RECOVERY		10	1
5	90001069	LOWER HANDLE COVER		10	1
6	21447003	SCREW		10	4
7	90001054	SOLUTION TANK RELEASE LATCH		10	1
8	90001095	QUICK DISCONNECT ASSEM		10	1
9	21447239	SCREW		10	2
10	92001002	WAND COVER-MV		10	1
11	38433074	TRIGGER-SV III'S		10	1
12	38312019	SPRING		10	1
13	91001059	WAND VALVE ASSEMBLY		10	1
14	43412007	NOZZLE/VALVE ASSEMBL		10	1
15	91001003	TURBINE NOZZLE		10	1
	48434006	BRUSH ASM-SV TUR BR		10	2
	38613038	NOZZLE BODY-TURBINE		10	1
16	90001089	LID COVER ASSEM REC TANK-AHJ		10	1
17	90001041	FLOAT		10	1
18	90001040	SEPARATOR CHANNEL		10	1
19	90001042	FLOAT GLIDE		10	1
20	21447004	EXP-SCREW-SELF TAPPI		10	1
21	90001087	RECOVERY TANK ASSEM-AHJ		10	1
22	90001050	SEAL		10	1
23	90001049	LOWER HANDLE ASSEM RH-MV		10	1
24	90001103	O-RING HOSE ENDS		10	3
25	51661020	MEDALLION		10	1
26	90001352	LATCH-UPPER HANDLE-MV		10	1
27	90001077	AIR RETURN ELBOW		10	1
28	90001071	DOOR-TOOL PORT		10	1
29	90001078	SEAL-TOOL		10	1
30	90001052	LOWER HANDLE ASSEM LH-MV		10	1
31	90001048	SPRING		10	1
32	90001053	CONTROL ROD LOWER		10	1
33	90001072	TOLERANCE SPACER		10	1
34	90001037	SPRING		10	3
35	90001051	REC TANK REL HANDLE		10	1
36	21447003	SCREW		10	6
37	37274078	LID CVR ASY SOL TANK		10	1
38	39442049	CORD WRAP-MV		10	1
	90001055	TOOL CADDY		10	1
39	91001004	CLEANING TOOL HOSE		10	1
40	38613040	NOZZLE BODY W/BRUSH		10	1
41	90001091	SOLUTION TANK ASSEM-AHJ		10	1
	90001259	SPRING VALVE		10	1
	90001260	VALVE SEAL		10	1
	90001261	VALVE STEM		10	1



Item	Part Number	Part Description	Alt Part	Series	Qty
1	90001103	O-RING HOSE ENDS		10	1
2	90001104	RECOVERY DUCT		10	1
	21447242	SCREW-SELF TAPPING		10	3
3	21447003	SCREW		10	12
4	90001107	REAR WHEEL AXLE-RH		10	1
5	90001065	WHEEL-REAR		10	2
6	38331006	SPRING-TURBINE ACT		10	1
7	90001064	HANDLE RELEASE PEDAL		10	1
8	90001061	MOTOR COVER		10	1
9	160017--	LOCK RING		10	2
10	90001060	TURBINE ACTUATOR ARM		10	1
11	90001067	TRUNNION COVER-RH		10	1
12	90001111	SEAL-MOTOR COVER		10	1
13	43613018	FILTER CASSETTE & SCREEN ASSM		10	1
14	21447232	SCREW-SELF TAPPING-F		10	2
15	21447246	SCREW-SV 3.125`		10	1
16	43576197	MOTOR 12AMP		10	1
17	38781048	MOTOR BASE SEAL		10	1
18	34113004	MOTOR SEAL		10	1
19	91001002	TURBINE & GEAR ASSEM		10	1
	91001075	TURBINE BEARING		10	1
20	90001068	VALVE DOOR		10	1
21	21447003	SCREW		10	1
22	90001112	SWITCH		10	1
23	90001062	SWITCH BRACKET		10	1
24	90001105	PUMP ASSEM		10	1
25	90001085	HOOD ASSEM-AHF		10	1
26	90001116	INDICATOR KNOB-AHB		10	1
27	90001059	SEAL-RECOVERY DUCT		10	1
28	90001036	MAIN BODY ASSEM		10	1
29	90001106	SWITCH		10	1
30	90001063	SWITCH ACTUATION PEDAL		10	1
31	90001066	TRUNNION COVER-LH		10	1
32	90001108	REAR WHEEL AXLE-LH		10	1
33	21479438	SCREW		10	2
34	21447236	SCREW		10	2
35	48437029	BRUSH BLOCK-5 BRUSHES		10	1
36	90001058	NOZZLE SEAL		10	1
37	90001056	NOZZLE FRONT PLATE	37275063	10	1
38	91001007	BARE FLOOR CL TOOL FOAM		10	1
39	90001057	NOZZLE BACK PLATE ASSEM	37275064	10	1
40	90001109	ATTACHMENT CORD ASSEMBLY		10	1
41	90001281	CORD RETAINER		10	1
42	56518179	MANUAL, OWNERS		10	1
	27479307	CABLE TIE		10	1