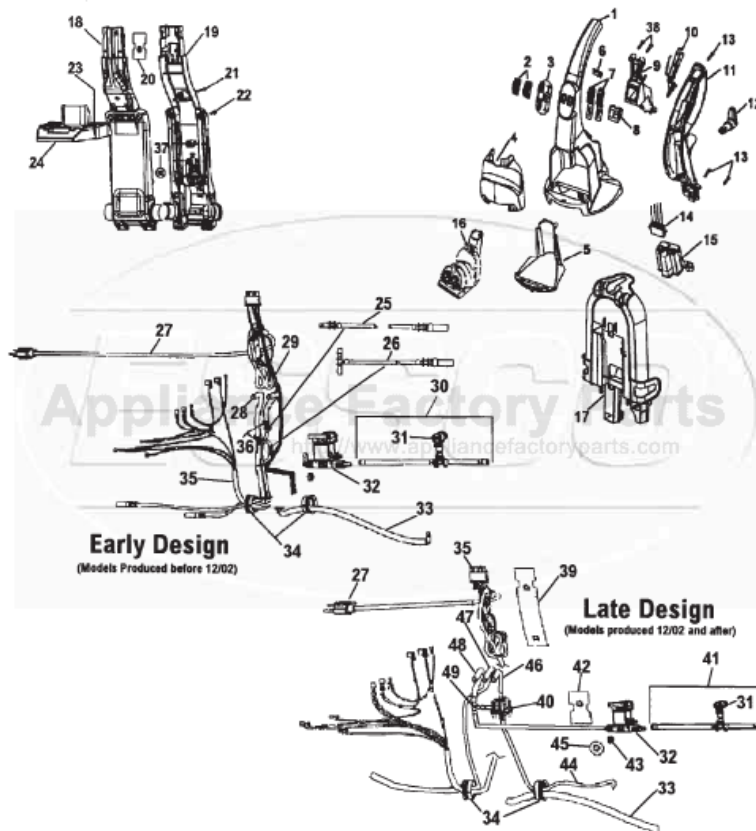


This Owner's Manual is provided and hosted by Appliance Factory Parts.



HOOVER F7205-900 Owner's Manual

[Shop genuine replacement parts for HOOVER
F7205-900](#)



[Find Your HOOVER Vacuum Cleaner Parts - Select From 1456 Models](#)

----- Manual continues below part list -----

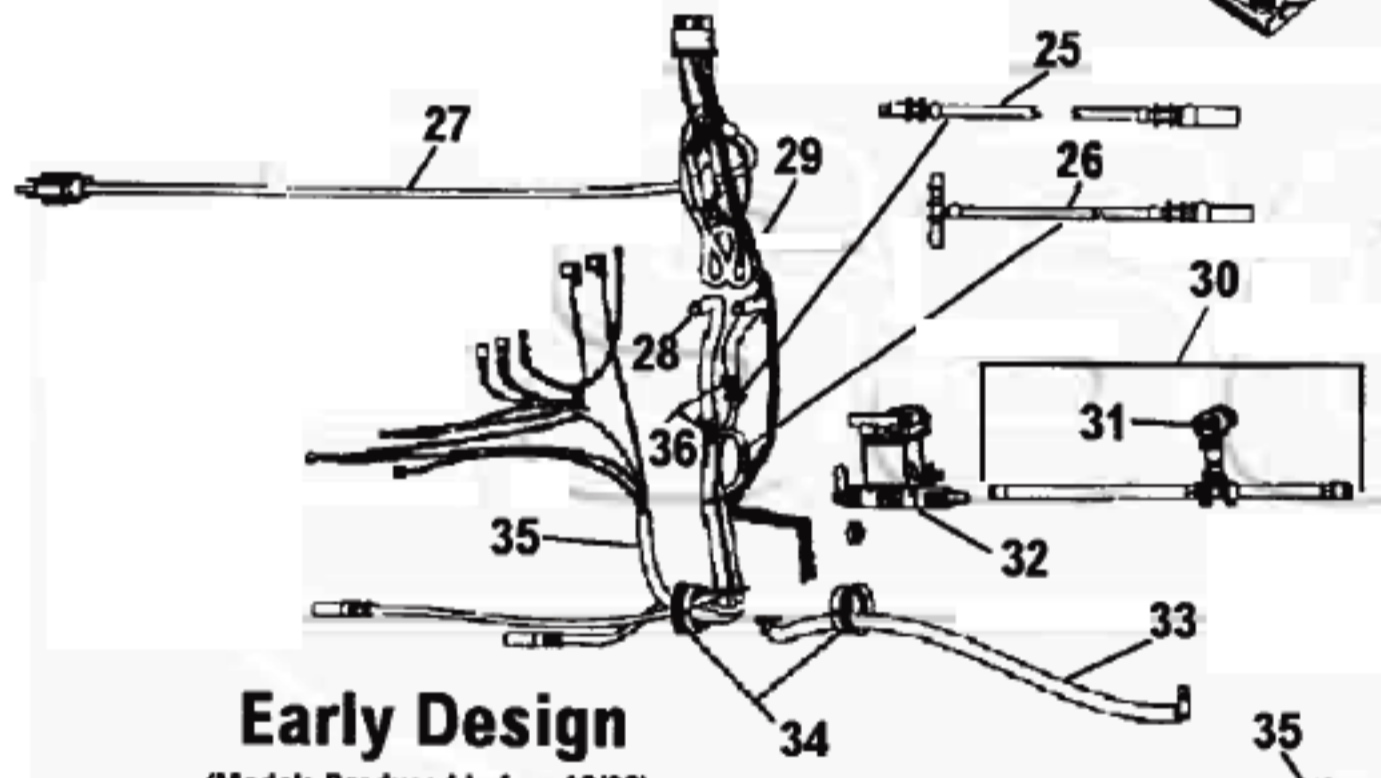
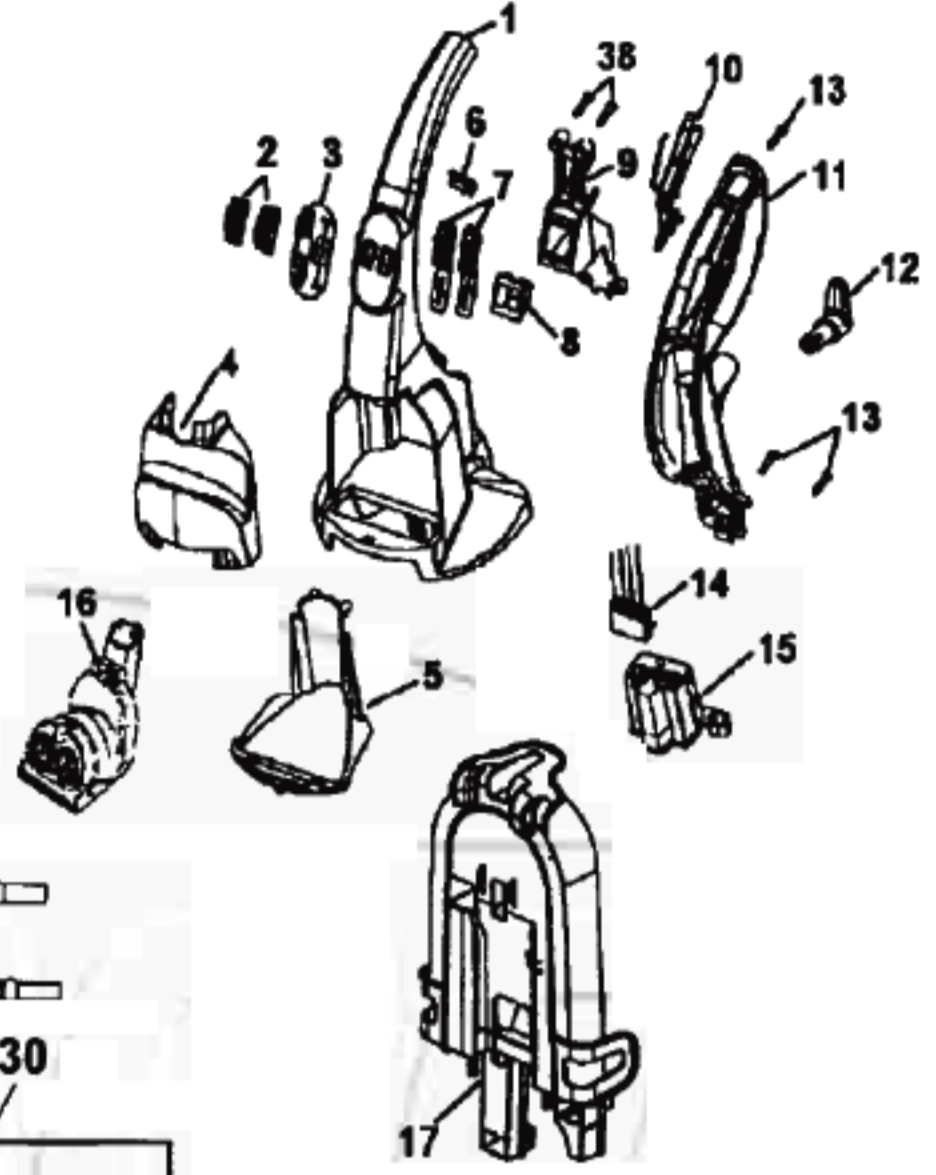
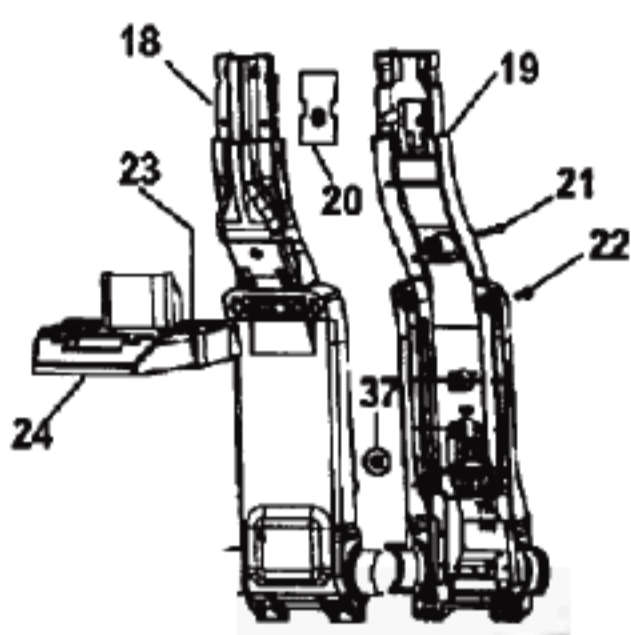
Available Replacement Parts for HOOVER F7205-900

| | |
|----------------------------|---------------------------------|
| HR-7503 | Water Tank |
| H-38613040 | NOZZLE BODY, WITH RELEASE TAB |
| H-36153076 | Tank Latch - Right Hand Black . |

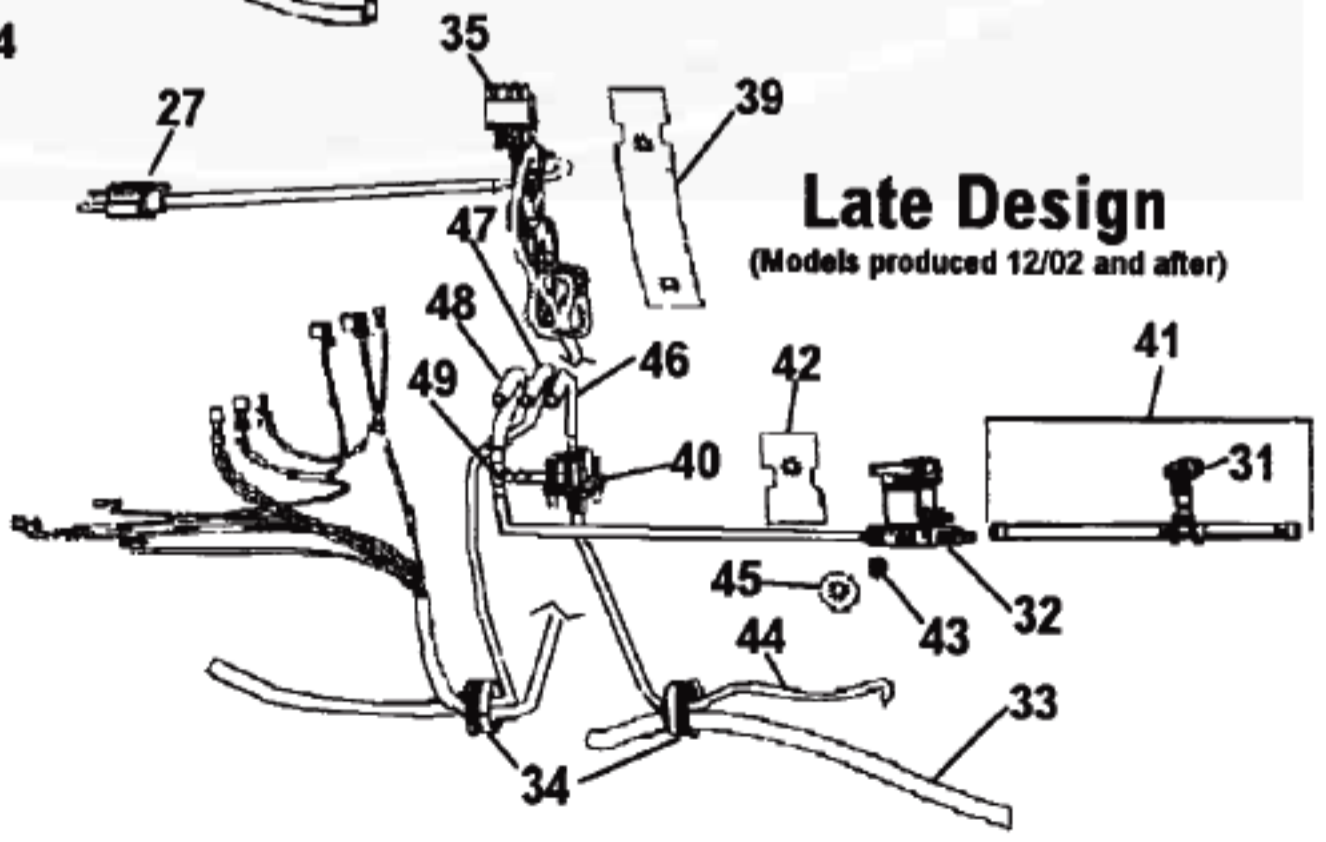
HOOVER Original

STEAM VAC V2

Models F7205-900, F7210-900, F7220-900, F-7225-900



Early Design
(Models Produced before 12/02)



Late Design
(Models produced 12/02 and after)

Original **HOOVER**

STEAM VAC V2

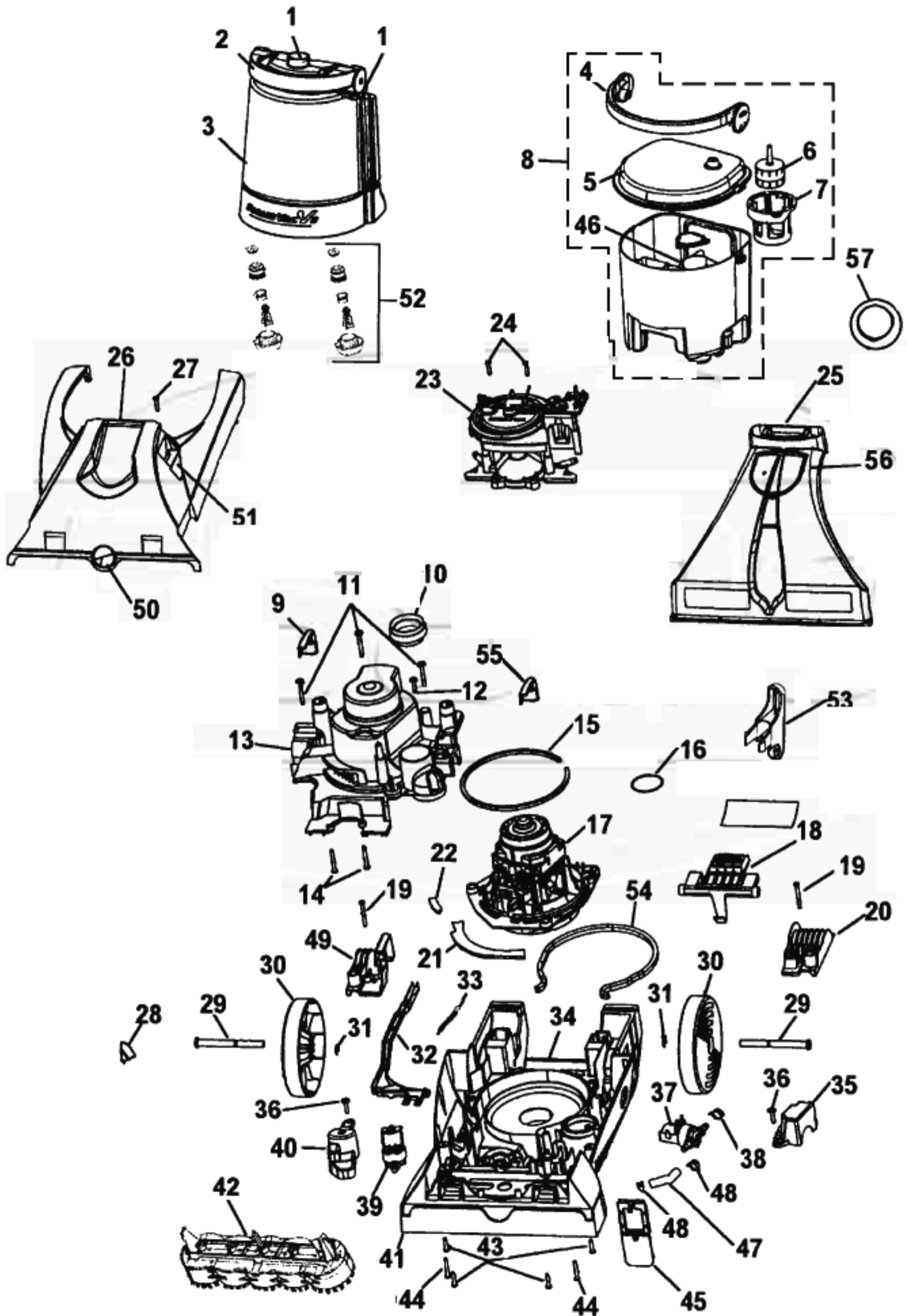
Models F7205-900, F7210-900, F7220-900, F-7225-900

| KEY | PART NO. | DESCRIPTION | KEY | PART NO. | DESCRIPTION |
|-----|------------|---|-----|------------|--|
| 1 | H-39466070 | Upper Handle Assembly - Front - Models produced prior to 12/02 (Inc. items 2,3,6,7,8,9, 10) | 20 | H-34264006 | Insulator |
| 1 | H-39466073 | Upper Handle Assembly - Front - Models produced 12/02 and after (Inc. items 2, 3, 6, 7, 8, 9, 10) | 21 | H-21447019 | Screw |
| 1 | H-39466072 | Upper Handle Assembly - Front - F7205-900 - Models produced 12/02 and after (Inc. items 2, 3, 6, 7, 8, 9, 10) | 22 | H-21447269 | Screw |
| 1 | H-39466071 | Upper Handle Assembly - Front - F7205-900 - Models produced prior to 12/02 (Inc. items 2, 3, 6, 7, 8, 9, 10) | 23 | H-38764031 | Metering Plate - (Models produced prior to 12/02) |
| 2 | H-38421101 | Switch Button (2) | 23 | H-38764033 | Metering Plate - (Models produced 12/02 and after) |
| 3 | H-52313107 | Label | | H-25156522 | O Ring (Not Shown) |
| 4 | H-37276016 | Tool Holder Cover - F7220-900, F7225-900 | 24 | H-41423017 | Supply Tank Support (Incl. 28, 29) |
| 4 | H-37276020 | Tool Holder Cover - F7210-900 | 25 | H-43491042 | Connector / Tubing Assembly |
| 4 | H-37276019 | Front Handle Cover - F7205-900 | 26 | H-43491041 | "T" Connector / Tubing Assembly |
| 5 | H-36433168 | Tool Holder - F7220-900, F7225-900 | 27 | H-46583124 | Attachment Cord Assembly |
| 5 | H-36433176 | Tool Holder - F7210-900 | 28 | H-66655448 | Tubing - 6 3/4" |
| 6 | H-28218051 | Micro Switch | 29 | H-66655448 | Tubing - 6 3/4" (Trim to length) |
| 7 | H-38458065 | Switch Rod (2) | 30 | H-43491043 | Connector / Tubing Assembly with Quick Disconnect |
| 8 | H-28267003 | Rocker Switch, On/Off/Wash/Rinse | 31 | H-43523004 | Quick Disconnect Assembly |
| 9 | H-46658002 | Upper Handle Support / Switch Assembly Models produced prior to 12/02 (Inc. items 6, 8, 10, 14 & Wiring Harness) | 32 | H-43582011 | Pump Assembly |
| 9 | H-46658005 | Upper Handle Support / Switch Assembly Models produced 12/02 and after (Inc. items 6, 8, 10, 14 and the Wiring Harness) | 33 | H-43445004 | Tubing / Elbow Assembly |
| 9A | H-36436023 | Support Only - (as shown) | 34 | H-32456001 | Trunnion Sleeve |
| 10 | H-38434030 | Control Lever | 35 | H-46658003 | Wiring Harness Assembly |
| 11 | H-39458011 | Upper Handle - Rear | 36 | H-25411014 | Hose Clamp |
| 12 | H-39442047 | Cord Wrap | 37 | H-34264007 | Insulator |
| 13 | H-21447072 | Screw | 38 | H-21447217 | Screw |
| 14 | N/A | (Included with item 9) | 39 | H-34285001 | Insulator |
| 15 | H-37922013 | Wire Cover | 40 | H-43513013 | Pressure Valve Assembly |
| 16 | H-48439002 | Turbine Nozzle - F7220-900, F7225-900 | 41 | H-43491046 | Connector/Tubing Assembly |
| 17 | H-36433167 | Tool Caddy | 42 | H-34264006 | Insulator |
| 18 | H-39466075 | Lower Handle - Front - (Models produced prior to 12/02) | 43 | H-25411014 | Hose Clamp |
| 18 | H-39466076 | Lower Handle - Front - (Models produced 12/02 and after) | 44 | H-68266023 | Tubing |
| 19 | H-39466080 | Lower Handle - Rear - (Models produced prior to 12/02) | 45 | H-34264007 | Insulator |
| 19 | H-39466081 | Lower Handle - Rear - (Models produced 12/02 and after) | 46 | H-66173011 | Tubing - 6 3/4" |
| | | | 47 | H-66173011 | Tubing - 6 3/4" (Trim to length) |
| | | | 48 | H-66173013 | Tubing - 22 1/4" |
| | | | 49 | H-38681010 | "T" Connector |

HOOVER Original

STEAM VAC V2

Models F7205-900, F7210-900, F7220-900, F-7225-900



Original **HOOVER**

STEAM VAC V2

Models F7205-900, F7210-900, F7220-900, F-7225-900

| KEY | PART NO. | DESCRIPTION | KEY | PART NO. | DESCRIPTION |
|-----|------------|---|-----|------------|--------------------------------------|
| 1 | H-42272138 | Threaded Cap Assembly | 28 | H-38421102 | Indicator Knob - |
| 2 | H-39457030 | Solution Tank Handle Black | | | F7210-900, F7220-900 - Hot Lime |
| 3 | H-42272137 | Solution Tank Assembly With Support (Includes item 52) Does not include items 1 & 2 | 28 | H-38421105 | Indicator Knob - |
| 4 | H-39457032 | Recovery Tank Handle | | | F7205-900, F7225-900 - Iris Blue |
| 5 | H-42272009 | Lid Assembly (Include items 6 & 7) | 29 | H-32434011 | Rear Axle (2) |
| 6 | H-43538002 | Float | 30 | H-3852201P | Rear Wheel (2) |
| 7 | H-38719043 | Float Retainer | 31 | H-160017 | Lock Ring(2) |
| 8 | H-42272083 | Recovery Tank Assembly Includes Items 4, 5, 6, 7, 46 | 32 | H-38458066 | Turbine Actuator Arm |
| 9 | H-36153071 | Tank Latch - Right Hand Black | 33 | H-38331006 | Spring |
| 10 | H-38784063 | Standpipe Seal | 34 | H-37272097 | Main Body Assembly (Inc. item 41) |
| 11 | H-23149004 | Tapping Screw & Washer | 35 | H-37278013 | Solenoid Cover - LH |
| 12 | H-23149002 | Screw | 36 | H-23149002 | Screw |
| 13 | H-37196162 | Motor Cover | 37 | H-25686056 | Solution Valve - Pressure |
| 14 | H-21479438 | Screw | 38 | H-25411015 | Hose Clamp |
| 15 | H-34113004 | Motor Seal | 39 | H-25686057 | Solution Valve - Gravity |
| 16 | H-25156521 | O Ring | 40 | H-37278012 | Solenoid Cover - RH |
| 17 | H-43576197 | Motor Assembly - (also order item 21) | 41 | H-37272098 | Main Body - Front |
| 18 | H-38434035 | Handle Release Pedal | 42 | H-48437029 | Brush Block Assembly |
| 19 | H-21447232 | Screw | 43 | H-21447217 | Screw |
| 20 | H-36131113 | Trunnion Bracket - Left | 44 | H-21447268 | Screw |
| 21 | H-38781074 | Seal - Motor Mount - Front | 45 | H-43613018 | Filter Cassette and Screen |
| 22 | H-38781073 | Seal - Main Body - RH | 46 | H-38769022 | Recovery Tank Baffle Wall |
| 23 | H-43191007 | Turbine Assembly | 47 | H-66655448 | Tubing - 6 3/4" (Trim to length) |
| 24 | H-21447217 | Screw | 48 | H-25411014 | Clamp |
| 25 | NLA | Nozzle Assembly (Order H-12002699) | 49 | H-36131114 | Trunnion Bracket - RH |
| | H-12002699 | Nozzle Assembly With Attachment Hose | 50 | H-51661020 | Medallion |
| 26 | H-37271091 | Hood - F7205-900, F7220-900 - Midnight Gray | 51 | H-51865029 | Brush Speed Label |
| 26 | H-37271094 | Hood - F7210-900 - Desert Sand Incl. 50 & 51 | 52 | H-43513015 | Supply Tank Valve Assem. (2 req'd) |
| 26 | H-37271092 | Hood - F7225-900 - Black Incl. 50 & 51 | 53 | H-36433169 | Cord Hose Hook - Lower |
| 27 | H-21447217 | Screw | 54 | H-38781067 | Motor Seal |
| | | | 55 | H-36153070 | Recovery Tank Latch Left Hand Black |
| | | | | H-40201243 | Handle Hardware Assembly (Not Shown) |
| | | | 56 | H-37276021 | Tool Door |
| | | | 57 | H-38784091 | Door Seal |

Items Not Illustrated

H-34215001 Insulator - Solution Valve - P

Accessories

H-43491045 Hose Assembly Twist Lock (Not Shown)
H-91001063 Hose Assembly Latch Lock (Not Shown)
H-38613040 Upholstery Tool
H-57333016 Carpet Cleaning Solution - 16 oz
H-48417005 Bare Floor Cleaning Tool

NLA = No Longer Available