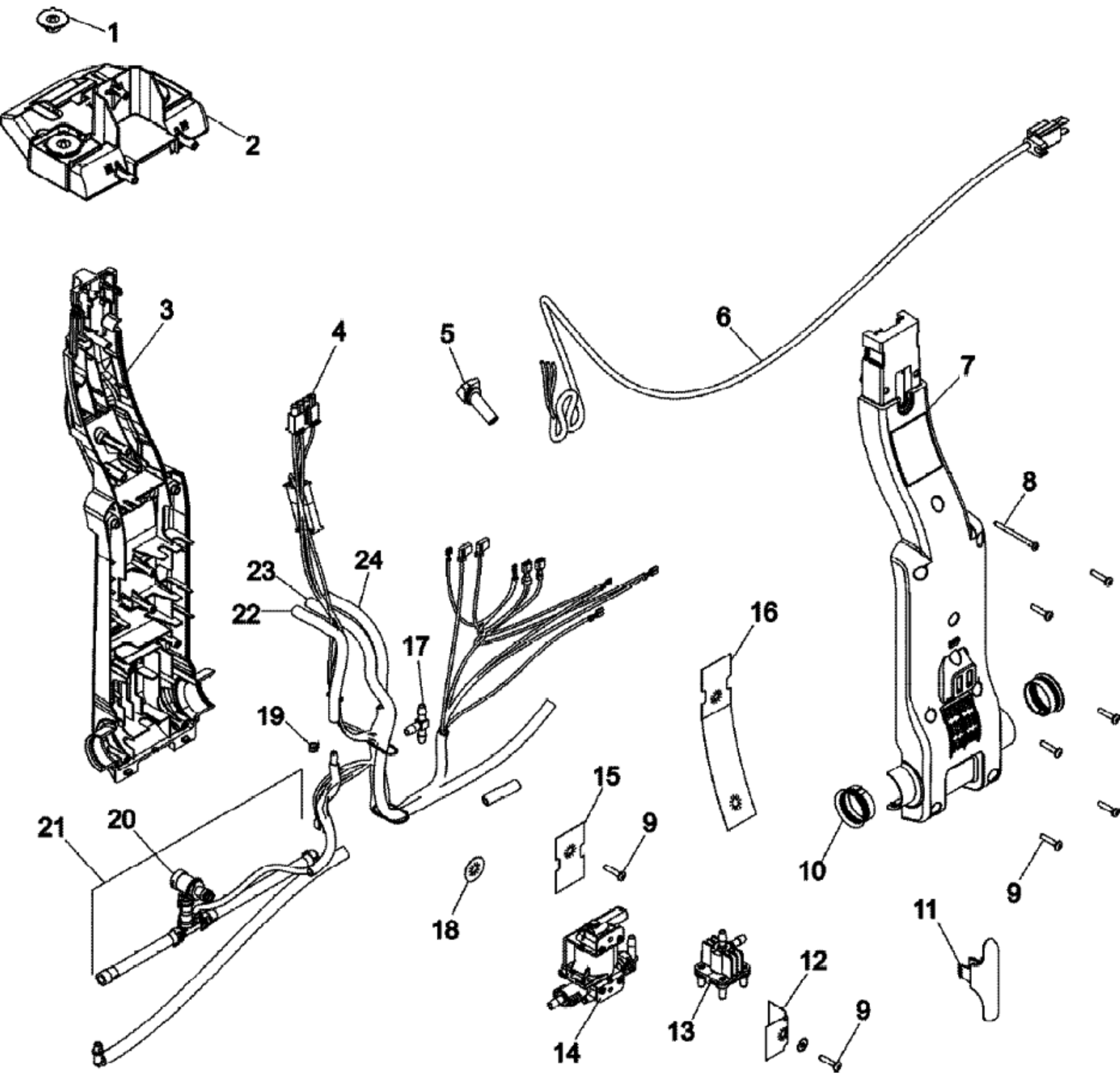
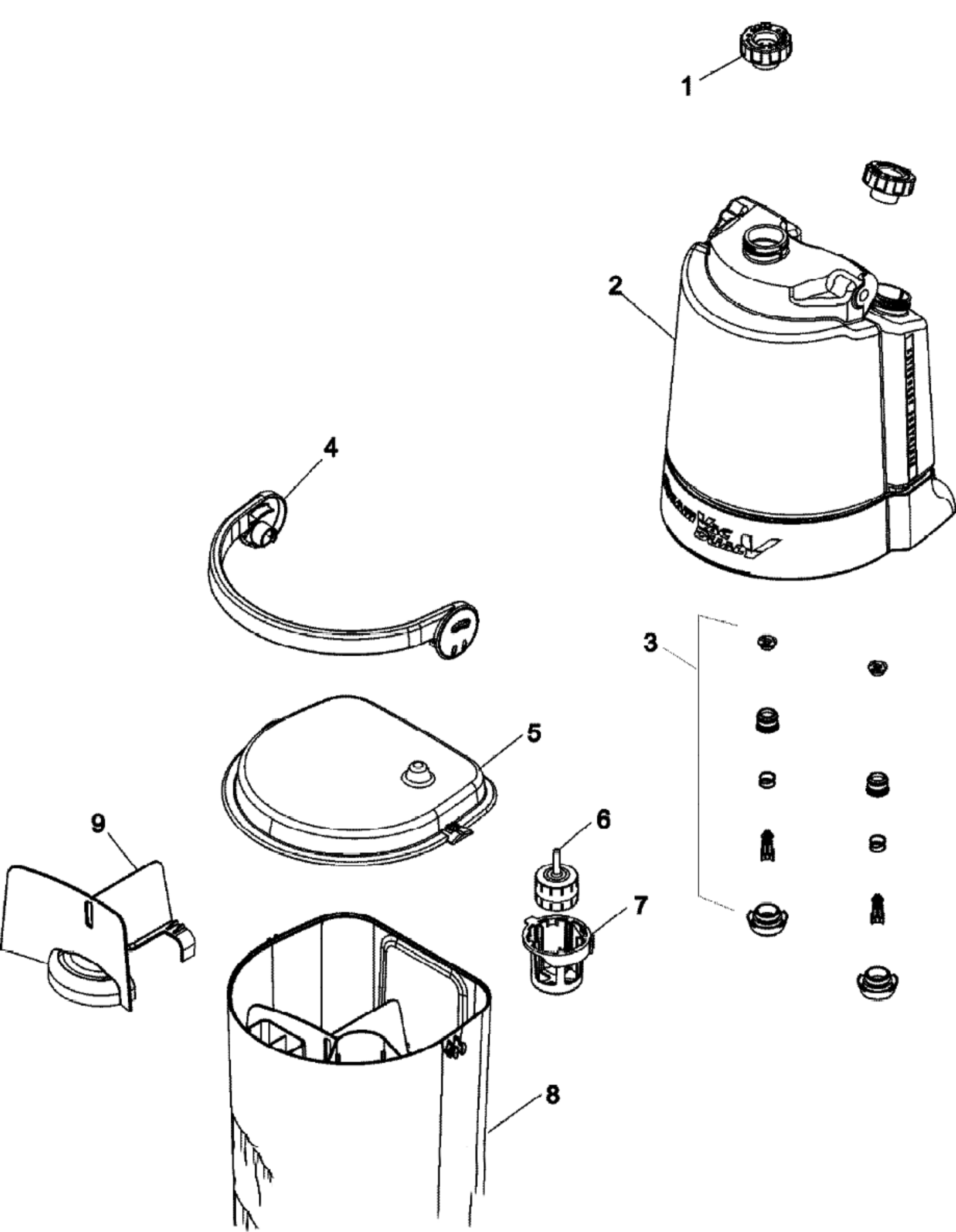


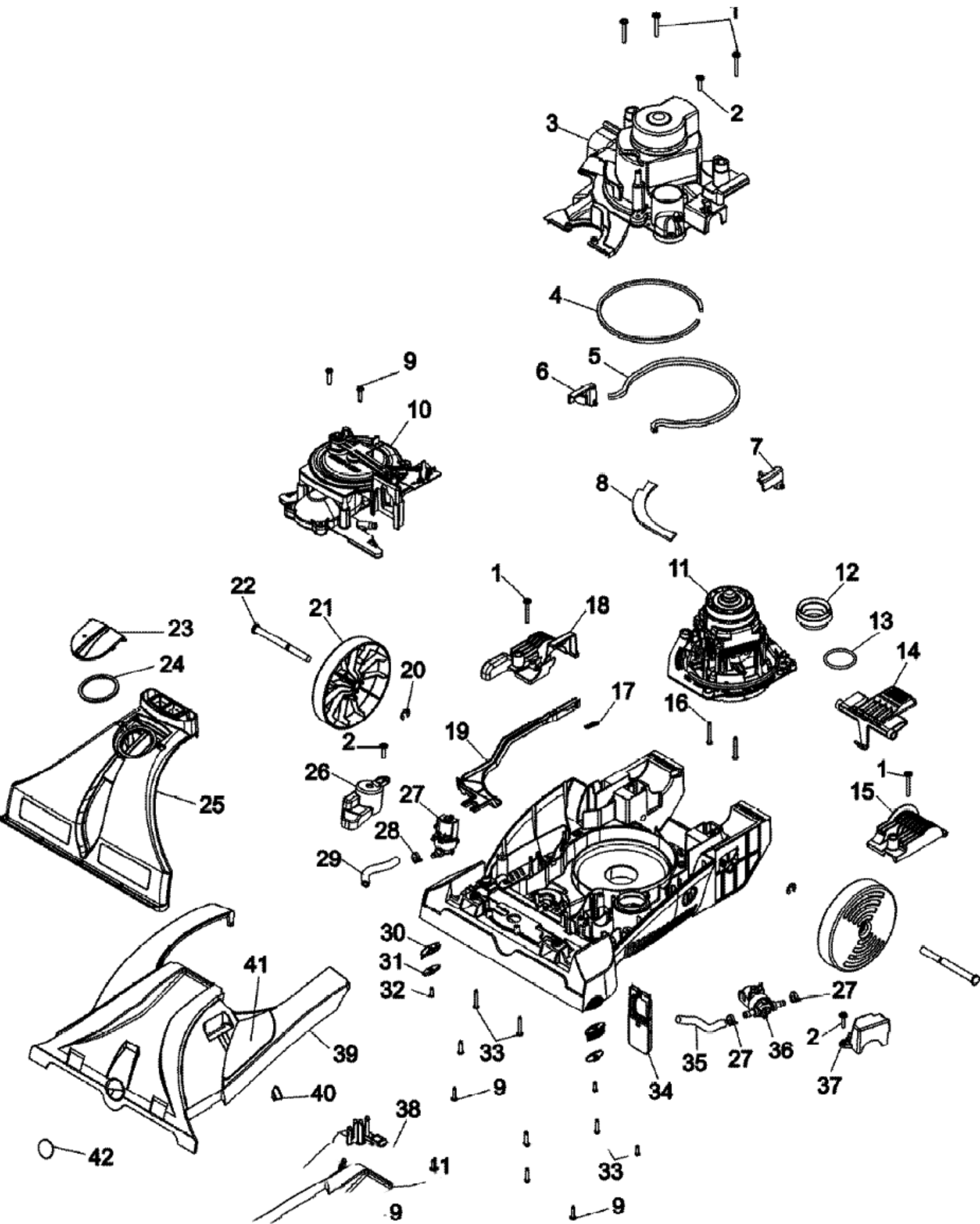
| Item | Part Number | Part Description | Alt Part | Series | Qty |
|------|-------------|-----------------------------|----------|--------|-----|
| 1 | 92001302 | UPPER HANDLE REAR-AHB | | 10 | 1 |
| | 40201243 | HDLE HARDWARE-F7220 | | 10 | 1 |
| 2 | 92001304 | CORD WRAP-AHB | | 10 | 1 |
| 3 | 21447072 | SCREW | | 10 | 7 |
| 4 | 38434030 | CONTROL LEVER-AG | | 10 | 1 |
| 5 | 28218051 | MICRO SWITCH | | 10 | 1 |
| 6 | 36436023 | UPPER HDL SUPP/ONLY | | 10 | 1 |
| 7 | 28267003 | SWITCH-DBL ROCKER | | 10 | 1 |
| 8 | 38458065 | SWITCH ROD-AG | | 10 | 2 |
| 9 | 39466118 | UPR HDL FR W/TOOL-MV | | 10 | 1 |
| 10 | 51638074 | DUAL V LABEL | | 10 | 1 |
| 11 | 90001116 | INDICATOR KNOB-AHB | | 10 | 1 |
| 12 | 92001306 | TOOL HOLDER-MV | | 10 | 1 |
| 13 | 92001307 | TOOL HOLDER COVER-CP | | 10 | 1 |
| 14 | 91001197 | TURBINE NOZZLE | | 10 | 1 |
| 15 | 46658005 | UPR HDL SUP/SW-NEW | | 10 | 1 |
| 16 | 92001308 | WIRE COVER-MV | | 10 | 1 |
| 17 | 92001281 | CADDY BODY-AHB | | 10 | 1 |
| 18 | 21447239 | SCREW | | 10 | 2 |
| 19 | 92001309 | WAND COVER-AHB | | 10 | 1 |
| 20 | 38433074 | TRIGGER-SV III'S | | 10 | 1 |
| 21 | 38312019 | SPRING | | 10 | 1 |
| 22 | 43412007 | NOZZLE/VALVE ASSEMBL | | 10 | 1 |
| 23 | 91001060 | WAND VALVE ASSEMBLY | | 10 | 1 |
| 24 | 91001063 | HOSE ASSEMBLY-CLEAR-SERVICE | | 10 | 1 |
| 25 | 43513010 | CONNECTOR COUPLER SL | | 10 | 1 |



| Item | Part Number | Part Description | Alt Part | Series | Qty |
|------|-------------|---------------------------|----------|--------|-----|
| 1 | 38764042 | METERING PLATE-AHB | | 10 | 1 |
| 2 | 41423024 | SUPPLY TANK SUPP ASY | | 10 | 1 |
| 3 | 92001311 | LWR HNDL FRT-MV | | 10 | 1 |
| 4 | 46658003 | WIRING HARNESS ASSY | | 10 | 1 |
| 5 | 36215028 | CORD PROTECTOR-WTBGL | | | 1 |
| 6 | 91001198 | ATTACH CORD ASY-AG | | 10 | 1 |
| 7 | 92001312 | LWR HNDL REAR-MV | | 10 | 1 |
| 8 | 21447019 | SCREW-U3301/U4211 | | 10 | 1 |
| 9 | 21447269 | SCREW | | 10 | 6 |
| 10 | 32456001 | TRUNNON SLEEVE F7220 | | 10 | 2 |
| 11 | 92001313 | CORD HOSE HOOK-MV | | 10 | 1 |
| 12 | 34264006 | INSULATOR F7220 | | 10 | 1 |
| 13 | 43513013 | PRESSURE VALVE ASY | | 10 | 1 |
| 14 | 43582011 | PUMP ASSEM.-SOLENOID | | 10 | 1 |
| 15 | 34264006 | INSULATOR F7220 | | 10 | 1 |
| 16 | 34285001 | INSULATOR-F7425 | | 10 | 1 |
| 17 | 38681010 | T CONNECTOR | | 10 | 1 |
| 18 | 34264007 | INSULATOR F7220 | | 10 | 1 |
| 19 | 25411015 | HOSE CLAMP | | 10 | 4 |
| 20 | 43523004 | QUICK DISCONNECT ASY SERV | | 10 | 1 |
| 21 | 43491046 | QUICK DISCON/TUBING | | 10 | 1 |
| 22 | 66173011 | TUBING-6.750 LONG | 90001101 | 10 | 1 |
| 23 | 66173013 | TUBING-22.250 LONG | | 10 | 1 |
| 24 | 66173011 | TUBING-6.750 LONG | 90001101 | 10 | 1 |



| Item | Part Number | Part Description | Alt Part | Series | Qty |
|------|-------------|------------------------|----------|--------|-----|
| 1 | 42272138 | THREADED CAP-F7220 | | 10 | 2 |
| 2 | 39457066 | SUP TANK LTCH/HDL-AKS | | 10 | 1 |
| | 90001295 | SOLUTION TANK | | 10 | 1 |
| 3 | 43513014 | SUPPLY TANK VALVE | 12002549 | 10 | 1 |
| 4 | 39457067 | REC TANK CARRY HDL-AKS | | 10 | 1 |
| 5 | 92001316 | REC TANK LID ASY COMP | | 10 | 1 |
| 6 | 43538002 | FLOAT ASY | | 10 | 1 |
| 7 | 38719043 | FLOAT RETAINER | | 10 | 1 |
| 8 | 42272172 | REC TANK ASY COMP | | 10 | 1 |
| 9 | 92001317 | REC TANK BFFL WALL-AJA | | 10 | 1 |



| Item | Part Number | Part Description | Alt Part | Series | Qty |
|------|-------------|---|----------|--------|-----|
| 1 | 23149004 | TAPPING SCREW W/WSH | | 10 | 5 |
| 2 | 23149002 | SCREW-SELF TAPPING | | 10 | 2 |
| 3 | 37196196 | MOTOR COVER-MV | | 10 | 1 |
| 4 | 34113004 | MOTOR SEAL | | 10 | 1 |
| 5 | 38781067 | MOTOR BASE SEAL | | 10 | 1 |
| 6 | 92001319 | LATCH-LH-REC TANK-AHB | | 10 | 1 |
| 7 | 92001320 | LATCH-RH-REC TANK-AHB | | 10 | 1 |
| 8 | 38781074 | SEAL-CUT-INNER | | 10 | 1 |
| 9 | 21447217 | SCREW-SELF TAPPING | | 10 | 2 |
| 10 | 43191009 | Turbine & Gear Assem | | 10 | 1 |
| 11 | 43576197 | MOTOR 12AMP | | 10 | 1 |
| 12 | 38784063 | STANDPIPE SEAL | | 10 | 1 |
| 13 | 25156522 | O RING F7220 | | 10 | 1 |
| 14 | 92001321 | HNDL REL PEDAL-AHB | | 10 | 1 |
| 15 | 36131151 | TRUN BRCKT LH-MV | | 10 | 1 |
| 16 | 21479438 | SCREW | | 10 | 2 |
| 17 | 38331006 | SPRING-TURBINE ACT | | 10 | 1 |
| 18 | 36131152 | TRUN BRCKT RH-MV | | 10 | 1 |
| 19 | 38458066 | TURBINE ACTUATOR ARM | | 10 | 1 |
| 20 | 160017-- | LOCK RING | | 10 | 2 |
| 21 | 38522099 | WHEEL-REAR-MV | | 10 | 2 |
| 22 | 32434013NC | REAR AXLE-AY | | 10 | 2 |
| 23 | 92001325 | DOOR-TOOL PORT-CP | | 10 | 1 |
| 24 | 38784091 | SEAL-DOOR | | 10 | 1 |
| 25 | 91001095 | NOZZLE ASY - 5 BRUSH | | 10 | 1 |
| 26 | 92001326 | SOLENOID COVER RH-MV | | 10 | 1 |
| 27 | 25686057 | SOLENOID VALVE-GRAVITY | | 10 | 1 |
| 28 | 25411015 | HOSE CLAMP | | 10 | 4 |
| 29 | 66173011 | TUBING-6.750 LONG | 90001101 | 10 | 1 |
| 30 | ----- | NOT REQUIRED PART OR SEE NOTE 30,31,32 NC | | 10 | 2 |
| 31 | ----- | NOT REQUIRED PART OR SEE NOTE 30,31,32 NC | | 10 | 2 |
| 32 | ----- | NOT REQUIRED PART OR SEE NOTE 30,31,32 NC | | 10 | 2 |
| 33 | 21447217 | SCREW-SELF TAPPING | | 10 | 2 |
| 34 | 43613018 | FILTER CASSETTE & SCREEN ASSM | | 10 | 1 |
| 35 | 66173011 | TUBING-6.750 LONG | 90001101 | 10 | 1 |
| 36 | 25686056 | SOLENOID VALVE-PRESSURE | | 10 | 1 |
| 37 | 92001327 | SOLENOID COVER LH-MV | | 10 | 1 |
| 38 | 48437029 | BRUSH BLOCK-5 BRUSHES | | 10 | 1 |
| 39 | 37271137 | HOOD-AEF | | 10 | 1 |
| 40 | 90001116 | INDICATOR KNOB-AHB | | 10 | 1 |
| 41 | 51865029 | BRUSH SPEED LABEL | | 10 | 1 |
| 42 | 90001242 | MEDALLION | | 10 | 1 |
| 43 | 56518148 | OWNER MANUAL-F7220 | | 10 | 1 |