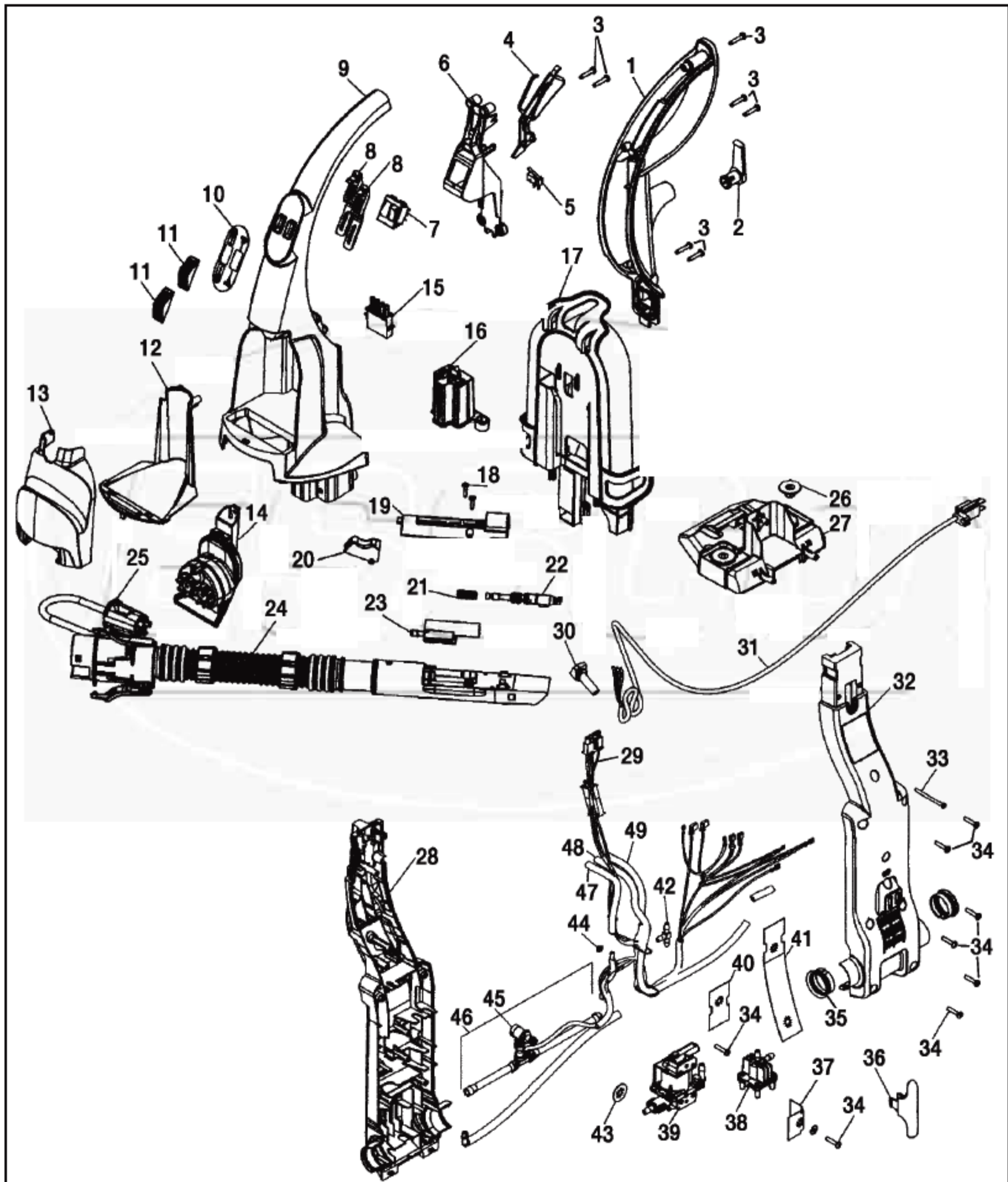


# HOOVER Original

STEAM VAC DUAL V WIDEPATH

Model F7424-900, ALL TERRAIN Model F7452-900



# Original **HOOVER**

STEAM VAC DUAL V WIDEPATH  
Model F7424-900, ALL TERRAIN Model F7452-900

KEY	PART NO.	DESCRIPTION
1	H-39458011	Upper Handle F7424-900
1	H-92001302	Upper Handle F7452-900
2	H-39442047	Cord Wrap F7424-900
2	H-92001304	Cord Wrap F7452-900
3	H-21447072	Screw
4	H-38434030	Control Lever
5	H-28218051	Micro Switch
6	H-36436023	Upper Handle Support
7	H-28267003	Switch Double Rocker
8	H-38458065	Switch Rod
9	H-39466074	Upper Handle F7424-900
9	H-92001303	Upper Handle F7452-900
	H-40201243	Handle Hardware F7452-900 (Not Shown)
10	H-52313108	Label
11	H-38421101	Switch Button F7424-900
11	H-92001305	Switch Button F7452-900
12	H-36433168	Tool Holder F7424-900
12	H-92001306	Tool Holder F7452-900
13	H-91001090	Tool Holder Cover F7424-900
13	H-92001307	Tool Holder Cover F7452-900
14	H-48439002	Turbine Nozzle F7424-900
14	H-91001197	Turbine Nozzle F7452-900
14	H-48437028	Scrub Module F7452-900
15	H-46658005	Switch
16	H-37922013	Wire Cover F7424-900
16	H-92001308	Wire Cover F7452-900
17	H-36433167	Tool Caddy F7424-900
17	H-92001281	Tool Caddy F7452-900
18	H-21447239	Screw
19	H-37276006	Wand Cover F7424-900
19	H-92001309	Wand Cover F7452-900
20	H-38433074	Trigger
21	H-38312019	Spring
22	H-43412007	Nozzle Valve Ass'y
23	H-91001060	Wand Valve Ass'y
24	H-91001063	Hose Ass'y
25	H-43513010	Connector Coupler
	H-38613040	Upholstery Tool With Brush (Not Shown)

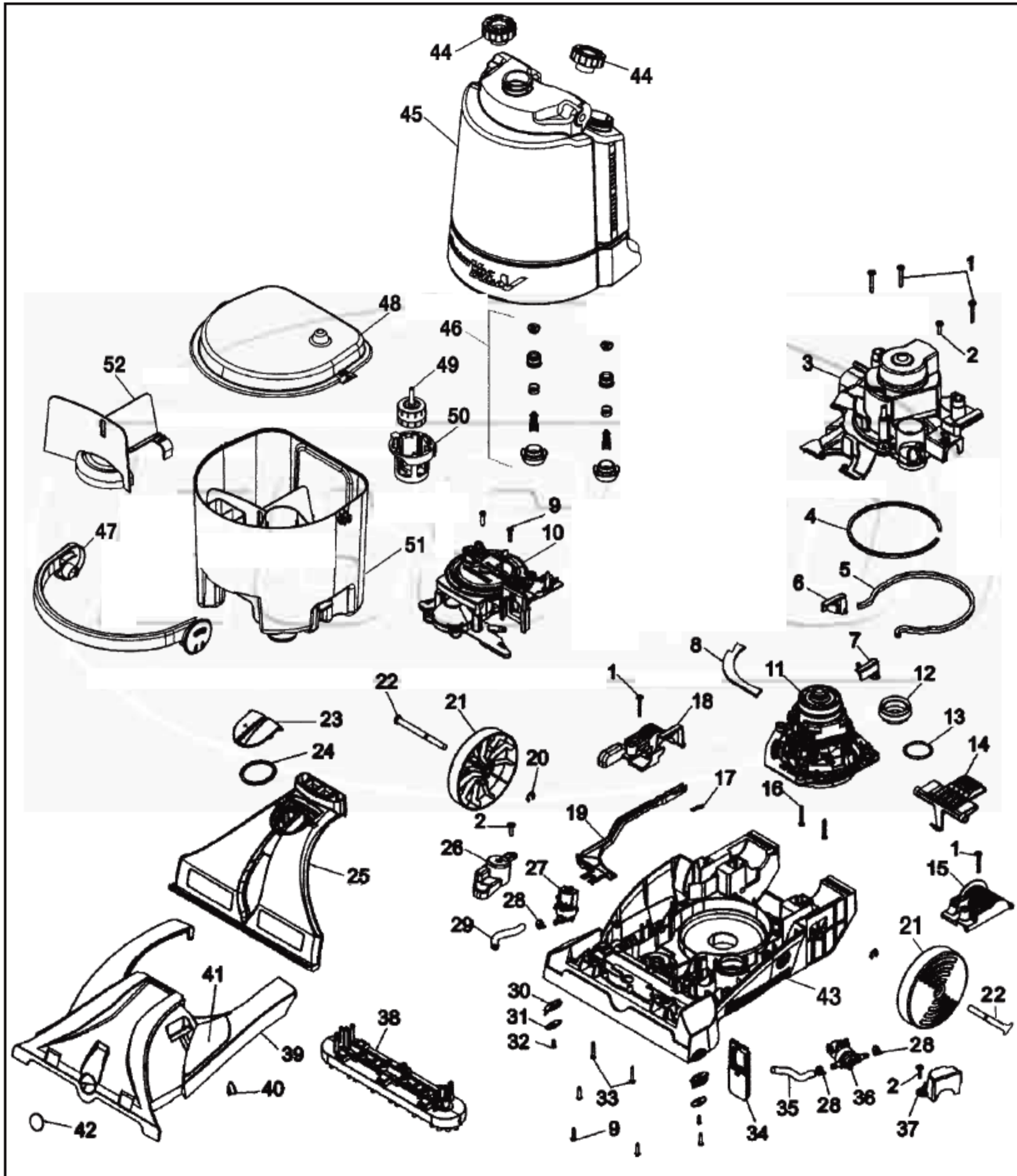
KEY	PART NO.	DESCRIPTION
26	H-38764036	Metering Plate Red F7424-900
26	H-92001310	Metering Plate F7452-900
27	H-41423021	Supply Tank Support F7424-900
27	H-41423024	Supply Tank Support F7452-900
28	H-91001094	Lower Handle Front F7424-900
28	H-92001311	Lower Handle Front F7452-900
29	H-46658004	Wiring Harness
30	H-36215028	Cord Sleeve
31	H-46583124	Cord F7424-900
31	H-91001198	Cord F7452-900
32	H-91001098	Lower Handle Rear F7424-900
32	H-91001098	Lower Handle Rear F7452-900
33	H-21447019	Screw
34	H-21447269	Screw
35	H-32456001	Trunnion Sleeve
36	H-36433169	Lower Cord Hose Hook
37	H-34264006	Insulator
38	H-43513013	Pressure Valve
39	H-43582011	Pump Ass'y
40	H-34264006	Insulator
41	H-34285001	Insulator
42	H-38681010	"T" Connector
43	H-34264007	Insulator
44	H-25411015	Hose Clamp
45	H-43523004	Quick Disconnect
46	H-43491046	Quick Disconnect Tubing
47	H-66173011	Tubing 6 3/4" Long
48	H-66173013	Tubing 22 1/4" Long
49	H-66173011	Tubing 6 3/4" Long



# HOOVER Original

STEAM VAC DUAL V WIDEPATH

Model F7424-900, ALL TERRAIN Model F7452-900





# Original **HOOVER**

## STEAM VAC DUAL V WIDEPATH Model F7424-900, ALL TERRAIN Model F7452-900

KEY	PART NO.	DESCRIPTION	KEY	PART NO.	DESCRIPTION
1	H-23149004	Screw	31	H-92001267	Groomers Plate
2	H-23149002	Screw	32	H-21447217	Screw
3	H-37196167	Motor Cover F7424-900	33	H-21447217	Screw
3	NLA	Motor Cover F7452-900	34	H-43613018	Filter Cassette & Screen
4	H-34113004	Motor Seal	35	H-66173011	Tubing 6 3/4" Long
5	H-38781067	Motor Base Seal	36	H-25686056	Solenoid Valve Pressure
6	H-36153081	Latch Right F7424-900	37	H-91001093	Solenoid Cover Left F7424-900
6	H-92001320	Latch Right F7452-900	37	H-92001327	Solenoid Cover Left F7452-900
7	H-36153080	Latch Left F7424-900	38	H-48437030	Brush Block 6 Brush
7	H-92001319	Latch Left F7452-900		H-92001285	Brush Block Bare Floor F7452-900 (Not Shown)
8	H-38781074	Seal		H-92001262	Squeegee Hard Floor Tool F7452-900 (Not Shown)
9	H-21447217	Screw	39	H-91001086	Hood Midnight Gray F7424-900
10	H-91001019	Turbine (2 Position)	39	H-92001328	Hood F7452-900
10	H-91001097	Turbine (3 Position) F7424-900	40	H-38421105	Indicator Knob F7424-900
11	H-90001167	Motor	40	H-90001116	Indicator Knob F7452-900
12	H-38784063	Standpipe Seal	41	H-92001268	Brush Nameplate F7424-900
13	H-25156521	O Ring	41	H-90001388	Brush Nameplate F7452-900
14	H-38434035	Handle Release Pedal F7424-900	42	H-51661020	Medallion
14	H-92001321	Handle Release Pedal F7452-900	43	H-37272123	Main Body
15	H-91001084	Trunnion Bracket Left F7424-900	44	H-42272138	Tank Cap With Locking Tabs Gray
15	H-92001322	Trunnion Bracket Left F7452-900	44	H-42272138	Tank Cap Without Locking Tabs Black
16	H-21479438	Screw	45	H-90001295	Solution Tank Without Handle Or Cap
17	H-38331006	Spring		H-39457030	Solution Tank Handle F7424-900 (Not Shown)
18	H-91001080	Trunnion Bracket Right F7424-900		H-39457062	Solution Tank Handle F7452-900 (Not Shown)
18	H-92001323	Trunnion Bracket Right F7452-900	46	H-43513015	Supply Tank Valve Ass'y
19	H-38458066	Turbine Actuator Arm	47	H-39457043	Recovery Tank Handle F7424-900
20	H-160017	Lock Ring	47	H-92001315	Recovery Tank Handle F7452-900
21	H-38522083	Rear Wheel F7424-900	48	H-92001316	Recovery Tank Lid
21	H-92001324	Rear Wheel F7452-900	49	H-43538002	Float
22	H-90001211	Rear Axle	50	H-38719043	Float Retainer
23	H-92001325	Door	51	H-92001314	Recovery Tank
24	H-38784091	Door Seal	52	H-38769022	Baffle Wall
25	H-91001096	Nozzle Cover			
26	H-91001092	Solenoid Cover Right F7424-900			
26	H-92001326	Solenoid Cover Right F7452-900			
27	H-25686057	Solenoid Valve Gravity			
28	H-25411015	Hose Clamp			
29	H-66173011	Tubing 6 3/4" Long			
30	H-92001266	Groomers			