

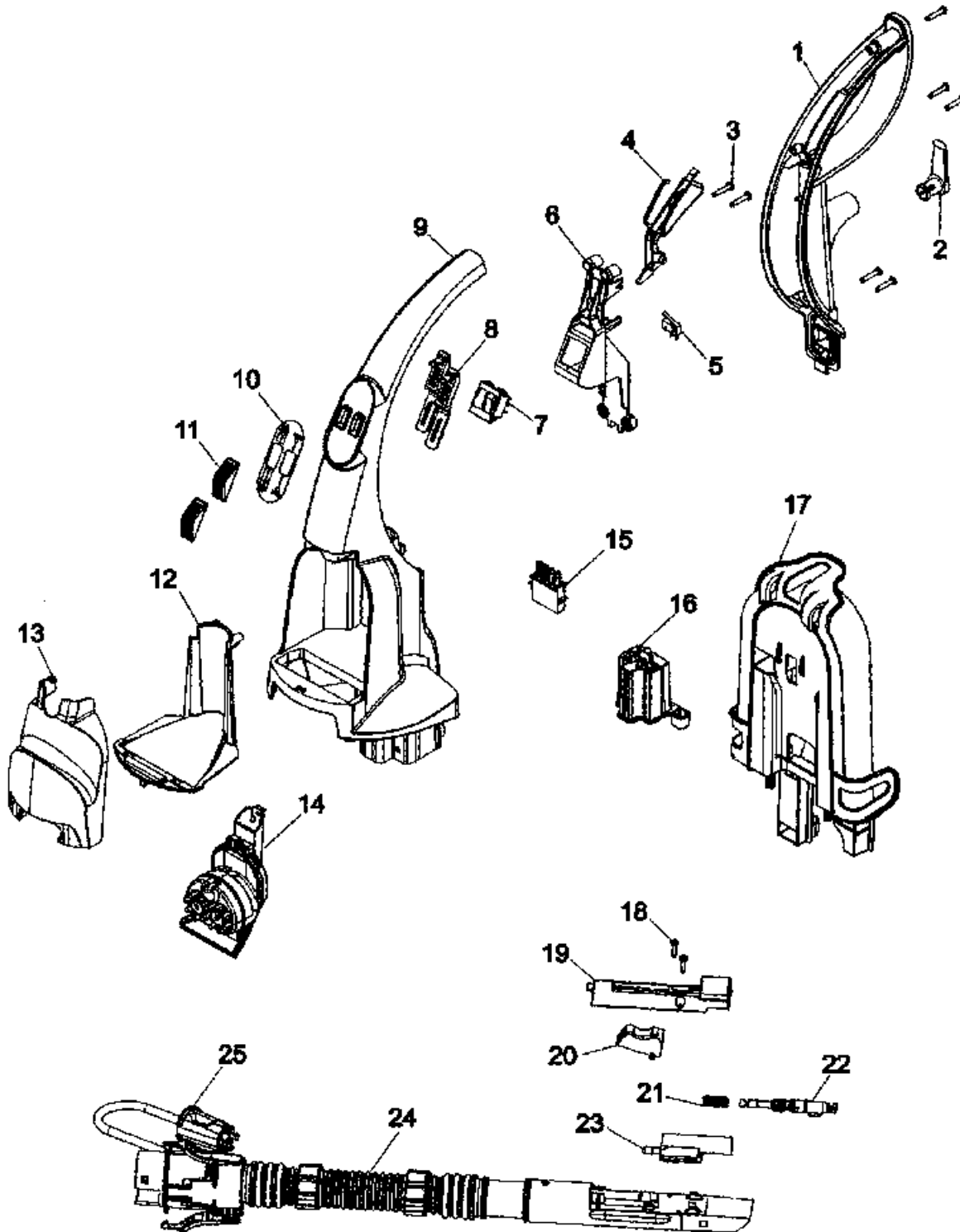


STEAM VAC™
DUAL V™

STEAM VAC™
ALL TERRAIN™

ASSEMBLY SCHEMATIC

F7222-900
F7227-900
F7411-900
F7412-900
F7428-900
F7429-900
F7452-900
FH50040





STEAM VAC™
DUAL V™

STEAM VAC™
ALL TERRAIN

PART LISTING

ITEM	PART NUMBER	MODELS TO FIT	PART DESCRIPTION
1	92001302	F7222900, F7227900, F7428900, F7429900, F7452900, FH50040	UPPER HANDLE - REAR
	39458011	F7411900, F7412900	UPPER HANDLE - REAR
	40201243	ALL	HANDLE HARDWARE ASSEMBLY
2	39442055	ALL	CORD WRAP
3	21447072	ALL	SCREW
4	38434030	ALL	CONTROL LEVER - BLACK
5	28218051	ALL	MICRO SWITCH
6	36436023	ALL	UPPER HANDLE SUPPORT
7	28267003	ALL	SWITCH - DOUBLE ROCKER
8	38458065	ALL	SWITCH ROD
9	39466118	F7222900, F7227900	UPPER HANDLE w/TOOL CADDY - FRONT
	39466073	F7411900, F7412900	UPPER HANDLE w/TOOL CADDY - FRONT
	92001303	F7428900, F7452900	UPPER HANDLE w/TOOL CADDY - FRONT
	48663243	F7429900, FH50040	UPPER HANDLE w/o TOOL CADDY - FRONT
10	52313107	F7222900, F7227900, F7411900, F7412900, FH50040	LABEL
	52313108	F7428900, F7429900, F7452900	LABEL
11	38421114	F7222900, F7227900, FH50040	INDICATOR KNOB
	38421122	F7411900, F7412900, F7428900, F7429900, F7452900	SWITCH BUTTON
	36433227	F7222900, F7227900, F7411900, F7412900, F7428900, FH50040	TOOL HOLDER
13	37276039	F7222900, F7411900, F7412900, F7428900, F7452900	TOOL HOLDER COVER
	37276039	F7227900	TOOL HOLDER COVER
	37276043	F7429900, FH50040	FRONT COVER
14	48439009	F7222900, F7227900, F7428900, F7452900	TURBINE NOZZLE - LIME GREEN
	48439013	F7411900, F7412900	TURBINE NOZZLE WITH RELEASE
	48437028	F7411900, F7412900, F7428900, F7452900	SCRUB MODULE
	48437035	F7411900, F7412900	UPHOLSTERY MODULE
15	46658005	ALL	UPPER HANDLE SUPPLY SWITCH

F7222-900
F7227-900
F7411-900
F7412-900
F7428-900
F7429-900
F7452-900
FH50040



STEAM VAC™
DUAL V™

STEAM VAC™
ALL TERRAIN

PART LISTING

ITEM	PART NUMBER	MODELS TO FIT	PART DESCRIPTION
16	37922014	ALL	WIRE COVER
17	92001281	F7222900, F7227900, F7428900, F7452900	TOOL CADDY - SANDSTONE GRAY
	36433167	F7411900, F7412900	TOOL CADDY
	36433243	F7429900, FH50040	CADDY BODY
18	21447239	ALL	SCREW
19	37276038	F7222900, F7227900, F7428900, F7429900, F7452900, FH50040	WAND COVER
	37276006	F7411900, F7412900	WAND COVER
20	38433074	ALL	TRIGGER
21	38312019	ALL	SPRING
22	43412007	ALL	NOZZLE AND VALVE ASSEMBLY
23	43513024	ALL	WAND VALVE ASSEMBLY - LARGER NIPPLE
24	91001063	F7222900, F7227900, F7411900, F7412900, F7428900, F7452900	HOSE ASSEMBLY - CLEAR / LATCH IN STYLE
	43491086	F7429900, FH50040	HOSE ASSEMBLY
25	43513010	ALL	CONNECTOR COUPLER

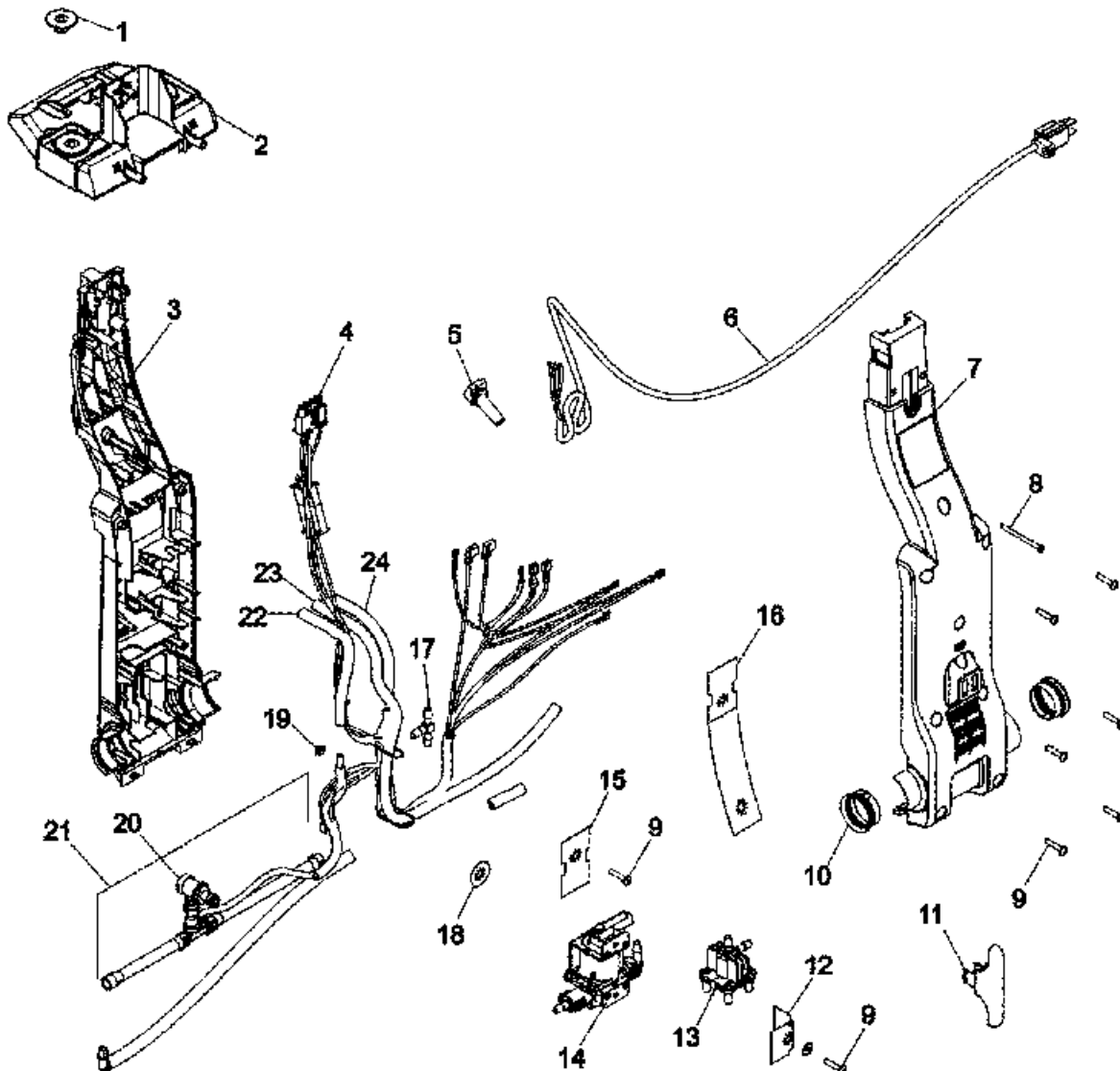
F7222-900
F7227-900
F7411-900
F7412-900
F7428-900
F7429-900
F7452-900
FH50040



**STEAM VAC™
DUAL V™**

**STEAM VAC™
ALL TERRAIN**

ASSEMBLY SCHEMATIC



- F7222-900
- F7227-900
- F7411-900
- F7412-900
- F7428-900
- F7429-900
- F7452-900
- FH50040



STEAM VAC™
DUAL V™

STEAM VAC™
ALL TERRAIN

PART LISTING

[MODEL No.](#)

ITEM	PART NUMBER	MODELS TO FIT	PART DESCRIPTION
1	38764042	F7222900, F7227900, F7411900, F7412900, F7428900, F7429900, FH50040	METERING PLATE - SANDSTONE GRAY
	92001310	F7452900	METERING PLATE - SILVER SAND
2	41423024	F7222900, F7227900, F7428900, F7429900, F7452900, FH50040	TANK SUPPORT ASSEMBLY
	41423021	F7411900, F7412900	TANK SUPPORT ASSEMBLY
3	39466116	ALL	LOWER HANDLE - FRONT SILVER SAND
4	46658003	F7222900, F7227900, F7411900, F7412900, FH50040	WIRING HARNESS ASSEMBLY
	46658004	F7428900, F7429900, F7452900	WIRING HARNESS ASSEMBLY
5	36215028	ALL	CORD PROTECTOR
6	91001198	ALL	POWER CORD ASSEMBLY
	93002227	F7411900, F7412900	POWER CORD - 24'
7	92001302	F7222900, F7227900, F7428900, F7429900, F7452900	LOWER HANDLE - REAR SANDSTONE GRAY
	91001098	F7411900, F7412900	LOWER HANDLE - REAR
	39466117	FH50040	LOWER HANDLE - REAR SILVER SAND
8	21447019	ALL	SCREW
9	21447269	ALL	SCREW
10	32456001	ALL	TRUNNON SLEEVE
11	36433228	F7222900, F7227900, F7428900, F7429900, F7452900, FH50040	CORD HOOK - HOSE
	36433169	F7411900, F7412900	CORD HOOK - HOSE
12	34264006	ALL	INSULATOR
13	43513013	ALL	PRESSURE VALVE ASSEMBLY
14	43582011	ALL	PUMP ASSEMBLY - SOLENOID
15	34264006	ALL	INSULATOR
16	34285001	ALL	INSULATOR
17	38681010	ALL	T CONNECTOR
18	34264007	ALL	INSULATOR - LOWER
19	25411015	ALL	HOSE CLAMP
20	43523004	ALL	QUICK DISCONNECT ASSEMBLY

F7222-900
F7227-900
F7411-900
F7412-900
F7428-900
F7429-900
F7452-900
FH50040



STEAM VAC™
DUAL V™

STEAM VAC™
ALL TERRAIN

PART LISTING

ITEM	PART NUMBER	MODELS TO FIT	PART DESCRIPTION
21	43491046	ALL	QUICK DISCONNECT TUBING
22	90001101	ALL	TUBING - 6.75" LONG
23	66173013	ALL	TUBING - 22.25" LONG
24	90001101	ALL	TUBING - 6.75" LONG

F7222-900

F7227-900

F7411-900

F7412-900

F7428-900

F7429-900

F7452-900

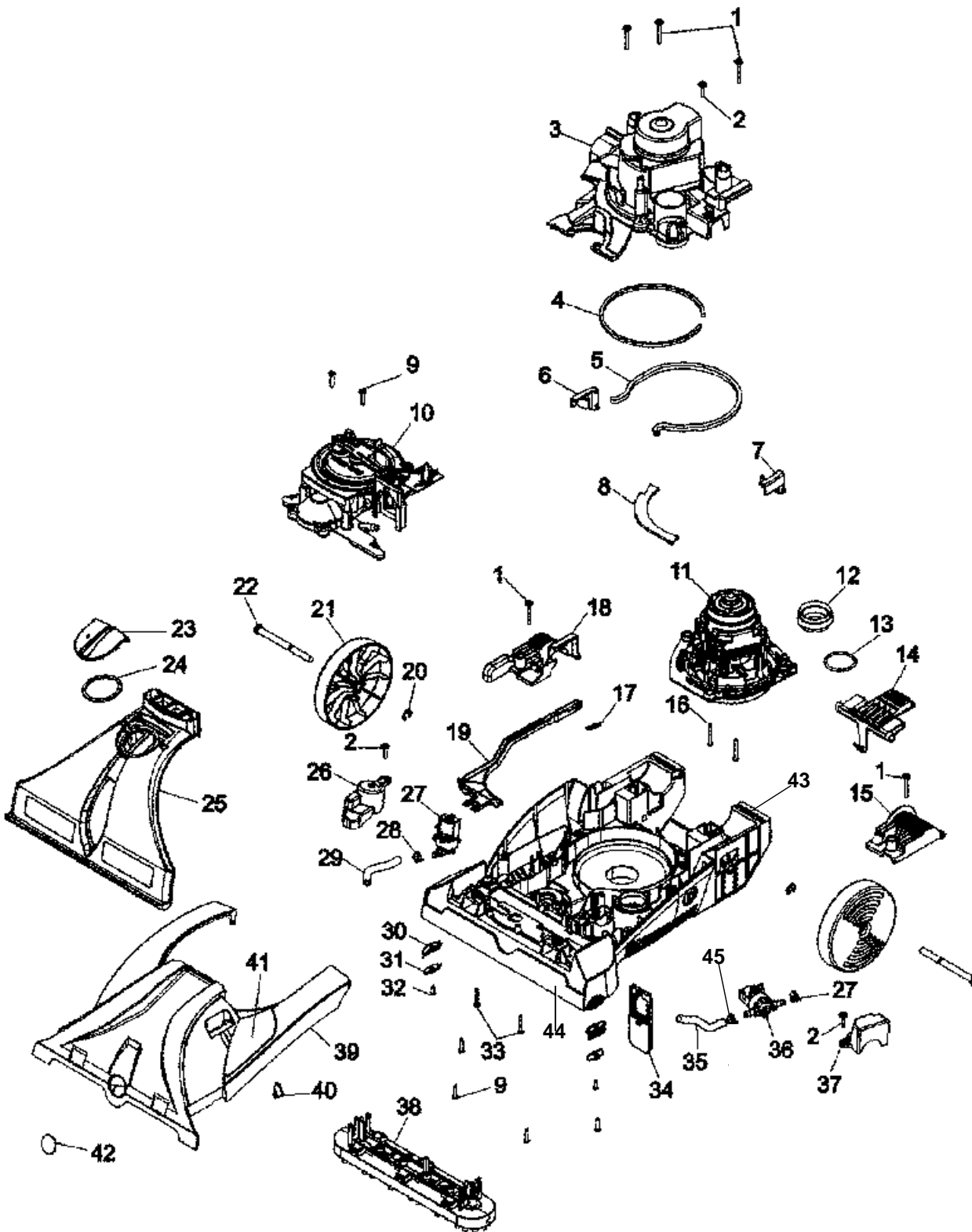
FH50040



STEAM VAC™
DUAL V™

STEAM VAC™
ALL TERRAIN™

ASSEMBLY SCHEMATIC



F7222-900
F7227-900
F7411-900
F7412-900
F7428-900
F7429-900
F7452-900
FH50040



STEAM VAC™
DUAL V™

STEAM VAC™
ALL TERRAIN

PART LISTING

ITEM	PART NUMBER	MODELS To FIT	PART DESCRIPTION
1	23149004	ALL	TAPPING SCREW WITH WASHER
2	23149002	ALL	SCREW - SELF TAPPING
3	37196196	F7222900, F7227900, FH50040	MOTOR COVER
	37196194	F7411900, F7412900, F7428900, F7429900	MOTOR COVER - SILVER SAND
		F7452900	MOTOR COVER
4	34113004	ALL	MOTOR SEAL
5	38781067	ALL	BASE MOTOR SEAL
6	36153097	ALL	DIRTY WATER TANK LATCH - LEFT BLACK
7	36153098	ALL	DIRTY WATER TANK LATCH - RIGHT BLACK
8	38781074	ALL	INNER SEAL
9	21447217	ALL	SCREW - SELF TAPPING
10	43191009	F7222900	TURBINE AND GEAR ASSEMBLY - 5 BRUSH MODELS PRIOR TO 12/02 KEEP CAP ON MODELS 12/02 AND AFTER REMOVE CAP ONE PORT ASSEMBLY
	43191011	F7222900, F7227900, FH50040	TURBINE AND GEAR ASSEMBLY - 5 BRUSH MODELS PRIOR TO 12/02 KEEP CAP ON MODELS 12/02 AND AFTER REMOVE CAP TWO PORT ASSEMBLY
	91001019	F7411900, F7412900	TURBINE AND GEAR ASSEMBLY - 6 BRUSH
	43191018	F7428900, F7429900, F7452900	TURBINE AND GEAR ASSEMBLY - 6 BRUSH
11	27212077	F7222900, F7227900, F7411900, F7412900, F7452900	MOTOR ASSEMBLY
	27212074	F7428900, F7429900, FH50040	MOTOR ASSEMBLY
12	38784063	ALL	STANDPIPE SEAL
13	25156522	F7222900, FH50040	O-RING
	25156524	F7227900, F7428900, F7429900, FH50040	O-RING
	25156521	F7411900, F7412900, F7452900	O-RING
14	38434045	F7222900, F7227900, F7428900, F7429900, F7452900, FH50040	HANDLE RELEASE PEDAL
	38434035	F7411900, F7412900	HANDLE RELEASE PEDAL

F7222-900
F7227-900
F7411-900
F7412-900
F7428-900
F7429-900
F7452-900
FH50040



STEAM VAC™
DUAL V™

STEAM VAC™
ALL TERRAIN

PART LISTING

ITEM	PART NUMBER	MODELS TO FIT	PART DESCRIPTION
15	36131151	F7222900, F7227900, FH50040	TRUNNION BRACKET - LEFT SILVER SAND
	91001084	F7411900, F7412900	TRUNNION BRACKET - LEFT
	36131145	F7428900, F7429900, F7452900	TRUNNION BRACKET - LEFT
16	21479438	ALL	SCREW
17	38331006	ALL	SPRING - TURBINE ACTUATOR
18	36131152	F7222900, F7227900, FH50040	TRUNNION BRACKET - RIGHT SILVER SAND
	36131146	F7411900, F7412900, F7428900, F7429900	TRUNNION BRACKET - RIGHT
		F7452900	TRUNNION BRACKET - RIGHT
19	38458066	ALL	ACTUATOR ARM - TURBINE
20	160017--	ALL	LOCK RING
21	38522099	F7222900, F7227900, F7428900, F7429900, FH50040	REAR WHEEL
	38522083	F7411900, F7412900	REAR WHEEL
	38522095	F7452900	REAR WHEEL
22	32434013NC	F7222900, F7227900, FH50040	REAR AXLE
	32436004	F7411900, F7412900, F7428900, F7429900, F7452900	REAR AXLE
23	92001325	F7222900, F7227900, F7428900, F7429900, F7452900, FH50040	TOOL PORT DOOR - CLEAR
	91001091	F7411900, F7412900	TOOL PORT DOOR
24	38784091	ALL	TOOL PORT DOOR SEAL
25	43411019	F7222900, F7227900, FH50040	NOZZLE ASSEMBLY - 5 BRUSH
	43411020	F7411900, F7412900, F7428900, F7429900, F7452900	NOZZLE ASSEMBLY - 6 BRUSH
26	37278014	F7222900, F7227900, F7428900, F7429900, FH50040	SOLENOID COVER - RIGHT
	37278013	F7411900, F7412900, F7452900	SOLENOID COVER - RIGHT
27	25686057	ALL	SOLENOID VALVE - GRAVITY
28	25411015	ALL	HOSE CLAMP

F7222-900
F7227-900
F7411-900
F7412-900
F7428-900
F7429-900
F7452-900
FH50040



STEAM VAC™
DUAL V™

STEAM VAC™
ALL TERRAIN

PART LISTING

ITEM	PART NUMBER	MODELS To FIT	PART DESCRIPTION
29	90001101	ALL	TUBING - 6.75" LONG
30	39511014	ALL	GROOMERS - LIME GREEN
31	36131144	ALL	GROOMERS PLATE
32	21447217	ALL	SCREW - SELF TAPPING
33	21447268	ALL	SCREW
34	43613018	ALL	FILTER AND SCREEN ASSEMBLY
	90001294	ALL	TANK SCREEN
35	90001101	ALL	TUBING - 6.75" LONG
36	25686056	ALL	SOLENOID VALVE - PRESSURE
37	37278015	F7222900, F7227900, F7428900, F7429900, FH50040	SOLENOID COVER - LEFT
	91001093	F7411900, F7412900, F7452900	SOLENOID COVER - LEFT
38	48437029	F7222900, F7227900, FH50040	BRUSH BLOCK - 5 BRUSH
	48437030	F7411900, F7412900, F7428900, F7429900, F7452900	BRUSH BLOCK - 6 BRUSH
	48437034	F7428900, F7452900	BRUSH BLOCK - BARE FLOOR - 6 BRUSH
	48417006	F7411900, F7412900, F7428900, F7429900	BARE FLOOR TOOL - 6 BRUSH
	92001262	F7411900, F7412900, F7428900, F7429900, F7452900	HARD FLOOR SQUEEGEE
39	37271138	F7222900	HOOD / NOZZLE COVER - BRITE CRIMSON
	37271105	F7227900	HOOD / NOZZLE COVER - PEWTER METALLIC
	37271130	F7411900	HOOD / NOZZLE COVER - PLUM
	37271139	F7412900, F7428900	HOOD / NOZZLE COVER - BLACK
	37271166	F7429900	HOOD / NOZZLE COVER - EARTH GREEN
	92001328	F7452900	HOOD / NOZZLE COVER - PATRIOT BLUE
	37271092	FH50040	HOOD / NOZZLE COVER - BLACK
40	38421114	ALL	INDICATOR KNOB - TRANSPARENT LIGHT RED
41	51865029	F7222900, F7227900, FH50040	LABEL - BRUSH SPEED
	51865037	F7411900, F7412900, F7429900	LABEL - BRUSH SPEED
	51865036	F7428900 F7452900	LABEL - BRUSH
42	51661020	ALL	MEDALLION

F7222-900
F7227-900
F7411-900
F7412-900
F7428-900
F7429-900
F7452-900
FH50040



STEAM VAC™
DUAL V™

STEAM VAC™
ALL TERRAIN

PART LISTING

ITEM	PART NUMBER	MODELS To FIT	PART DESCRIPTION	
43	37272126	F7222900, F7227900	BODY / NOZZLE BASE - 5 BRUSH	
	37272131	FH50040	BODY / NOZZLE BASE - 5 BRUSH	
	37272123	F7411900, F7412900, F7428900, F7429900, F7452900	BODY / NOZZLE BASE - 6 BRUSH	
44	91001088	F7411900, F7412900, F7428900, F7429900, F7452900	BRUSH BLOCK HOUSING - 6 BRUSH	
45	25411017	ALL	HOSE CLAMP	

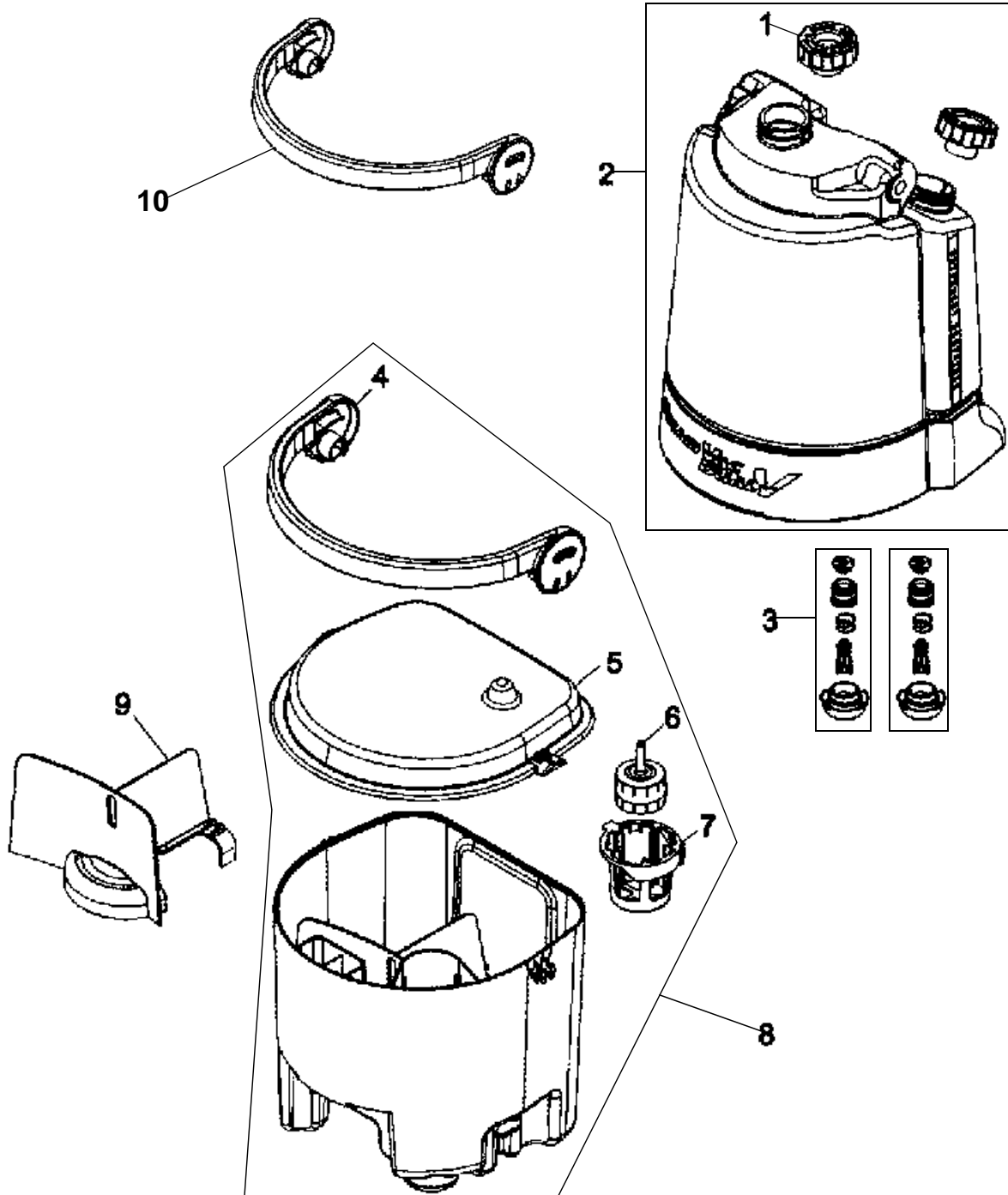
F7222-900
F7227-900
F7411-900
F7412-900
F7428-900
F7429-900
F7452-900
FH50040



**STEAM VAC™
DUAL V™**

**STEAM VAC™
ALL TERRAIN™**

ASSEMBLY SCHEMATIC



F7222-900
F7227-900
F7411-900
F7412-900
F7428-900
F7429-900
F7452-900
FH50040



STEAM VAC™
DUAL V™

STEAM VAC™
ALL TERRAIN

PART LISTING

ITEM	PART NUMBER	MODELS TO FIT	PART DESCRIPTION
1	42272174	ALL	THREADED CAP - TWIST ON / NEW STYLE
2	42272104	ALL	C. WATER / SOLUTION TANK - NEW STYLE
3	43513026	ALL	VALVE ASSEMBLY
4	39457069	F7222900, F7411900, F7412900, F7428900, F7429900, FH50040	DIRTY WATER TANK CARRYING HANDLE - SANDSTONE GRAY
	39457067	F7227900	DIRTY WATER TANK CARRYING HANDLE - LEGACY PURPLE
	39457043	F7452900	DIRTY WATER TANK CARRYING HANDLE - BLACK
5	42272166	ALL	DIRTY WATER TANK LID ASSEMBLY WITH FLOAT
6	43538002	ALL	FLOAT ASSEMBLY
7	38719043	ALL	FLOAT RETAINER
8	42272172	ALL	DIRTY WATER TANK ASSEMBLY COMPLETE
9	38769033	ALL	DIRTY WATER TANK BAFFLE
10	39457068	F7222900, F7411900, F7412900, F7428900, F7429900, FH50040	HANDLE / LATCH - C.W. / SOLUTION TANK - SANDSTONE GRAY
	39457066	F7227900	HANDLE / LATCH - C.W. / SOLUTION TANK - LEGACY PURPLE
	39457062	F7452900	HANDLE / LATCH - C.W. / SOLUTION TANK - PATRIOT BLUE

F7222-900
F7227-900
F7411-900
F7412-900
F7428-900
F7429-900
F7452-900
FH50040