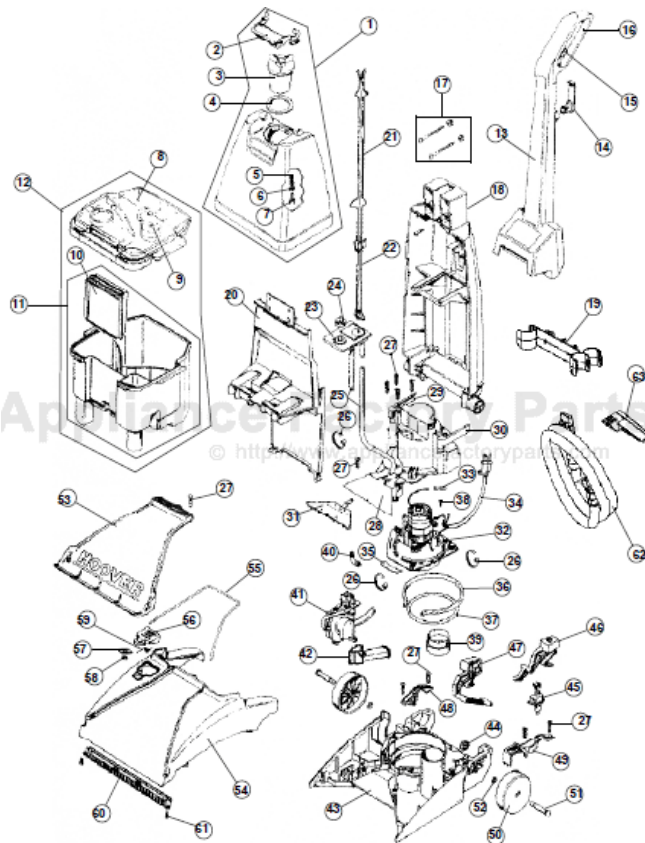


This Owner's Manual is provided and hosted by [Appliance Factory Parts](http://ApplianceFactoryParts.com).



HOOVER FH50015 Owner's Manual

[Shop genuine replacement parts for HOOVER FH50015](#)



[Find Your HOOVER Vacuum Cleaner Parts - Select From 1455 Models](#)

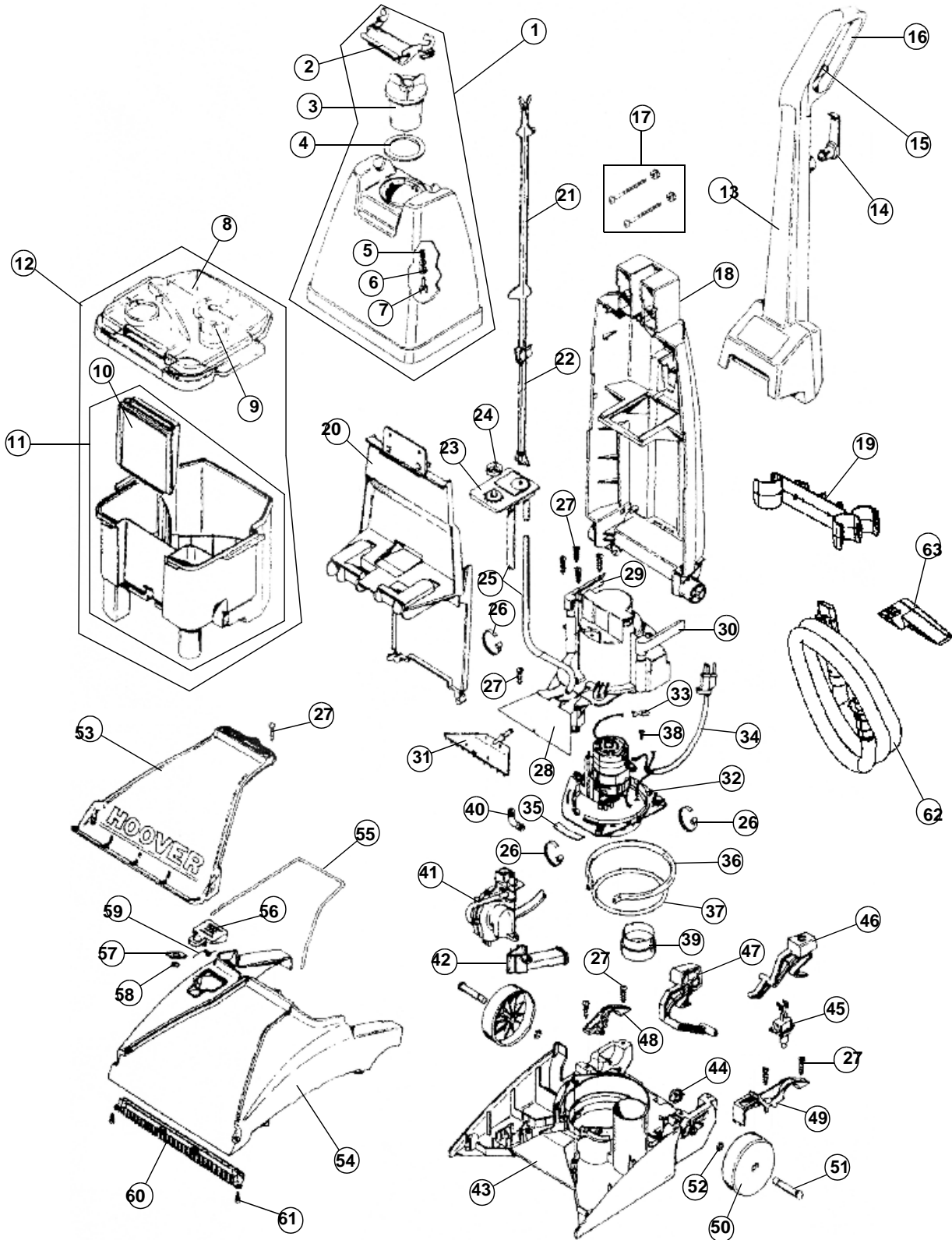
----- Manual continues below -----



SteamVac™

ASSEMBLY SCHEMATIC

FH50015





PART LISTING

FH50015

ITEM	PART NUMBER	MODELS TO FIT	PART DESCRIPTION
1	H-42272134	FH50015	SOLUTION TANK ASSEMBLY WITH CAP
2	H-39457053	FH50015	SOLUTION TANK HANDLE - MAGNESIUM GRAY
3	H-90001288	FH50015	CAP ASSEMBLY - BLACK
4	H-38784062	FH50015	GASKET
5	H-38312014	FH50015	SPRING
6	H-38784061	FH50015	VALVE SEAL
7	H-38717009	FH50015	VALVE STEM
8	H-42272111	FH50015	RECOVERY TANK LID WITH FILTER
9	H-90001398	FH50015	FILTER - RECOVERY TANK LID
10	H-90001217	FH50015	DUCT ORDER 38777106
11	H-38777106	FH50015	RECOVERY TANK WITH DUCT ONLY REVISED
12	H-38777081	FH50015	RECOVERY TANK COMPLETE WITH LID ASSEMBLY - REVISED DUCT
13	H-90001301	FH50015	UPPER HANDLE ASSEMBLY
14	H-90001273	FH50015	CORD WRAP - MAGNESIUM GRAY
15	H-38434028	FH50015	CONTROL LEVER - BLACK
16	H-39458009	FH50015	UPPER HANDLE LEVER GUARD - MAGNSM GRAY
17	H-40201149	FH50015	HANDLE HARDWARE ASSEMBLY
18	H-39466108	FH50015	LOWER HANDLE ASSEMBLY COMPLETE
19	H-36433205	FH50015	HOSE HOLDER
20	H-37276029	FH50015	HANDLE COVER
21	H-38458031	FH50015	CONTROL ROD - UPPER
22	H-38458033	FH50015	CONTROL ROD - LOWER
23	H-43516012	FH50015	RESERVOIR ASSEMBLY
24	H-38784060	FH50015	SOLUTION TANK SEAL
25	H-40309002	FH50015	TUBING
26	H-27479307	FH50015	CABLE TIE
27	H-21447020	FH50015	SCREW
28	H-37196139	FH50015	MOTOR / DISTRIBUTION COVER KIT
29	H-36151043	FH50015	TANK RELEASE LATCH - RIGHT MAGNSM GRAY
30	H-36151044	FH50015	TANK RELEASE LATCH - LEFT MAGNSM GRAY
31	H-43411006	FH50015	DISTRIBUTOR ASSEMBLY
32	H-27212079	FH50015	MOTOR ASSEMBLY
33	H-12227	FH50015	TERMINALS
34	H-93002227	FH50015	POWER CORD - 24'
35	H-34122021	FH50015	MOTOR HOUSING SEAL



SteamVac™

PART LISTING

FH50015

ITEM	PART NUMBER	MODELS To FIT	PART DESCRIPTION
36	H-38781039	FH50015	MOTOR BASE SEAL
37	H-38784064	FH50015	MOTOR INTAKE SEAL
38	H-21447246	FH50015	SCREW - 3.125"
39	H-38784063	FH50015	STANDPIPE SEAL
40	H-33241001	FH50015	ELBOW CONNECTOR
41	H-43582018	FH50015	PUMP ASSEMBLY COMPLETE
42	H-38664001	FH50015	ELBOW DUCT
43	H-37272114	FH50015	NOZZLE BASE
44	H-90001281	FH50015	CORD RETAINER - BLACK
45	H-28218061	FH50015	SWITCH
46	H-38434025	FH50015	SWITCH ACTUATOR LEVER
47	H-38458042	FH50015	HANDLE RELEASE LEVER - BLACK
48	H-36131124	FH50015	TRUNNION COVER - RIGHT MAGNESIUM GRAY
49	H-36131125	FH50015	TRUNNION COVER - LEFT MAGNESIUM GRAY
50	H-38522091	FH50015	REAR WHEEL - MAGNESIUM GRAY
51	H-32434007	FH50015	REAR AXLE
52	H-160017	FH50015	LOCK RING
53	H-90001248	FH50015	NOZZLE FRONT - CLEAR
54	H-37271153	FH50015	NOZZLE HOOD - BLACK
55	H-38781037	FH50015	NOZZLE SEAL
56	H-37257297	FH50015	HOSE ACCESS DOOR - BLACK
57	H-38783019	FH50015	ACCESS DOOR SEAL
58	H-21362006	FH50015	HOSE ACCESS DOOR SPEED NUT
59	H-38351017	FH50015	ACCESS DOOR SPRING
60	H-48443005	FH50015	BRUSH BACK ASSEMBLY
61	H-21447228	FH50015	SCREW - SELF TAPPING
62	H-90001351	FH50015	HOSE ASSEMBLY
63	H-38613040	FH50015	STAIR / UPHOLSTERY TOOL
	H-48439009		TURBINE NOZZLE - LIME GREEN
	H-90001331		BARE FLOOR TOOL ASSEMBLY