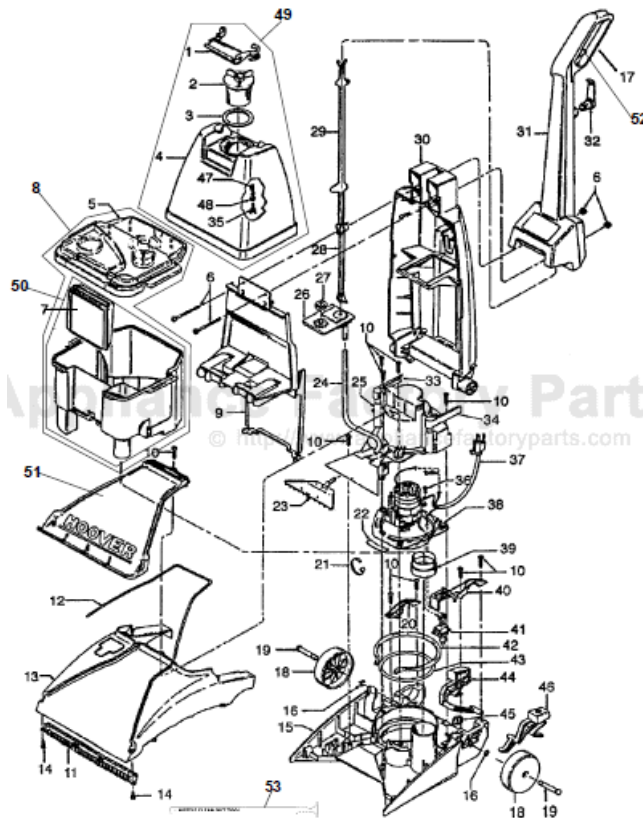


This Owner's Manual is provided and hosted by [Appliance Factory Parts](http://Appliance Factory Parts).



# HOOVER FH20020 Owner's Manual

[Shop genuine replacement parts for HOOVER FH20020](#)



[Find Your HOOVER Vacuum Cleaner Parts - Select From 1455 Models](#)

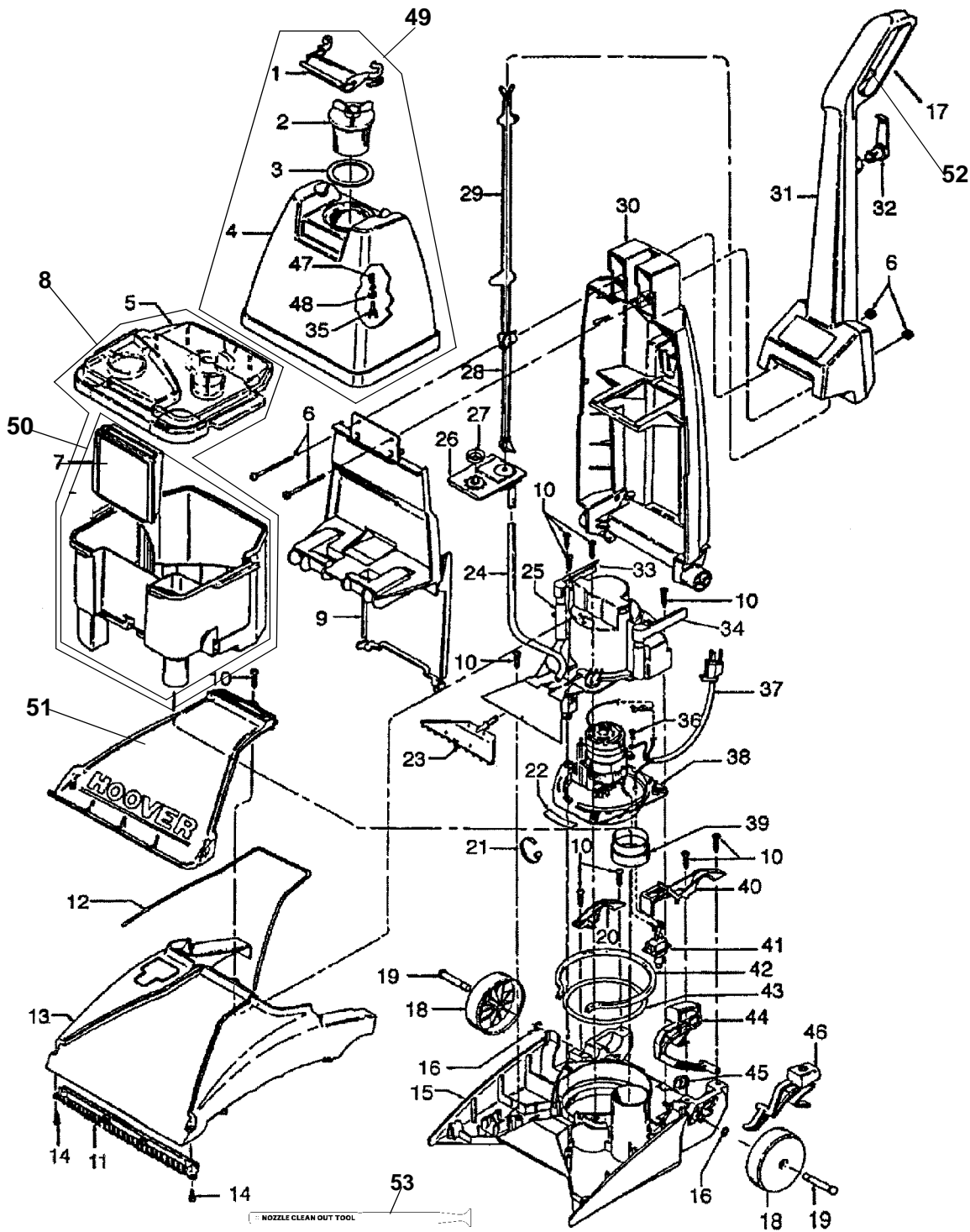
----- Manual continues below -----



# SteamVac™

## ASSEMBLY SCHEMATIC

F5810  
FH50020





## PART LISTING

ITEM	PART NUMBER	MODELS TO FIT	PART DESCRIPTION
1	39457053	F5810, FH50020	SOLUTION TANK HANDLE - MAGNESIUM GRAY
	522209001	F5810, FH50020	SOLUTION TANK HANDLE - SATIN SILVER
2	90001288	F5810, FH50020	CAP ASSEMBLY - BLACK
3	38784062	F5810, FH50020	GASKET
4	42272134	F5810, FH50020	SOLUTION TANK ASSEMBLY COMPLETE
5	42272111	F5810, FH50020	RECOVERY TANK LID WITH FILTER
6	40201145	F5810, FH50020	HANDLE HARDWARE ASSEMBLY
7	90001217	F5810	DUCT ORDER <b>38777106</b>
8	38777081	F5810, FH50020	RECOVERY TANK COMPLETE WITH LID ASSEMBLY - REVISED DUCT TRANSLUCENT FROST
	522207001	F5810, FH50020	RECOVERY TANK COMPLETE WITH LID ASSEMBLY - REVISED DUCT STORM GRAY
9	37276029	F5810, FH50020	HANDLE COVER - MAGNESIUM GRAY
10	21447020	F5810, FH50020	SCREW
11	48447002	F5810, FH50020	BRUSH BACK ASSEMBLY
12	38781037	F5810, FH50020	NOZZLE SEAL
13	37271124	F5810	NOZZLE HOOD - BLUE
	37271169	FH50020	NOZZLE HOOD - BLACK
14	21447228	F5810, FH50020	SCREW - SELF TAPPING
15	90001221	F5810, FH50020	NOZZLE BASE
16	160017--	F5810, FH50020	LOCK RING
17	39458009	F5810, FH50020	UPPER HANDLE LEVER GUARD - MAGSM GRAY
18	38522091	F5810, FH50020	REAR WHEEL - MAGNESIUM GRAY
	522206001	F5810, FH50020	REAR WHEEL - BLACK
19	32434007	F5810, FH50020	REAR AXLE
20	36131124	F5810, FH50020	TRUNNION COVER - RIGHT MAGNESIUM GRAY
	522193001	F5810, FH50020	TRUNNION COVER - RIGHT SHADOW GRAY
21	27479307	F5810, FH50020	CABLE TIE
22	34122021	F5810, FH50020	MOTOR HOUSING SEAL
23	43411006	F5810, FH50020	DISTRIBUTOR ASSEMBLY
24	40309002	F5810, FH50020	TUBING
25	40309005	F5810	MOTOR / DISTRIBUTION COVER KIT
	37196139	FH50020	MOTOR / DISTRIBUTION COVER KIT
26	90001225	F5810, FH50020	RESERVOIR ASSEMBLY
27	38784060	F5810, FH50020	SOLUTION TANK SEAL
28	38458033	F5810, FH50020	CONTROL ROD - LOWER

F5810  
FH50020



## PART LISTING

ITEM	PART NUMBER	MODELS TO FIT	PART DESCRIPTION
29	38458031	F5810, FH50020	CONTROL ROD - UPPER
30	48669030	F5810, FH50020	LOWER HANDLE ASSEMBLY COMPLETE
31	92001072	F5810, FH50020	UPPER HANDLE ASSEMBLY
32	39442048	F5810, FH50020	CORD WRAP - MAGNESIUM GRAY
33	36151043	F5810, FH50020	TANK RELEASE LATCH - RIGHT MAGNSM GRAY
	522194001	F5810, FH50020	TANK RELEASE LATCH - RIGHT SATIN SILVER
34	36151044	F5810, FH50020	TANK RELEASE LATCH - LEFT MAGNSM GRAY
	522194002	F5810, FH50020	TANK RELEASE LATCH - LEFT SATIN SILVER
35	38717009	F5810, FH50020	VALVE STEM
36	21447232	F5810, FH50020	SCREW - SELF TAPPING
37	46583125	F5810, FH50020	POWER CORD - 21'
38	27212079	F5810, FH50020	MOTOR ASSEMBLY
39	38784063	F5810, FH50020	STANDPIPE SEAL
40	36131125	F5810, FH50020	TRUNNION COVER - LEFT MAGNESIUM GRAY
	522193002	F5810, FH50020	TRUNNION COVER - LEFT SHADOW GRAY
41	28218061	F5810, FH50020	SWITCH
42	38781039	F5810, FH50020	MOTOR BASE SEAL
43	38784064	F5810, FH50020	MOTOR INTAKE SEAL
44	38458042	F5810, FH50020	HANDLE RELEASE LEVER - BLACK
45	522205001	F5810, FH50020	HANDLE RELEASE LEVER - SATIN SILVER
45	90001281	F5810, FH50020	CORD RETAINER
46	38434025	F5810, FH50020	SWITCH ACTUATOR LEVER - BLACK
	522203001	F5810, FH50020	SWITCH ACTUATOR LEVER - SATIN SILVER
47	38312014	F5810, FH50020	SPRING
48	38784061	F5810, FH50020	VALVE SEAL
49	42272134	F5810, FH50020	SOLUTION TANK ASSEMBLY WITH CAP FROST
	304040001	F5810, FH50020	SOLUTION TANK ASSEMBLY WITH CAP STORM GRAY
50	38777106	F5810, FH50020	RECOVERY TANK WITH DUCT ONLY REVISED
51	90001248	F5810, FH50020	NOZZLE FRONT - CLEAR
52	38434028	F5810, FH50020	CONTROL LEVER - BLACK
53	39514003	F5810, FH50020	NOZZLE CLEAN OUT TOOL

F5810  
FH50020