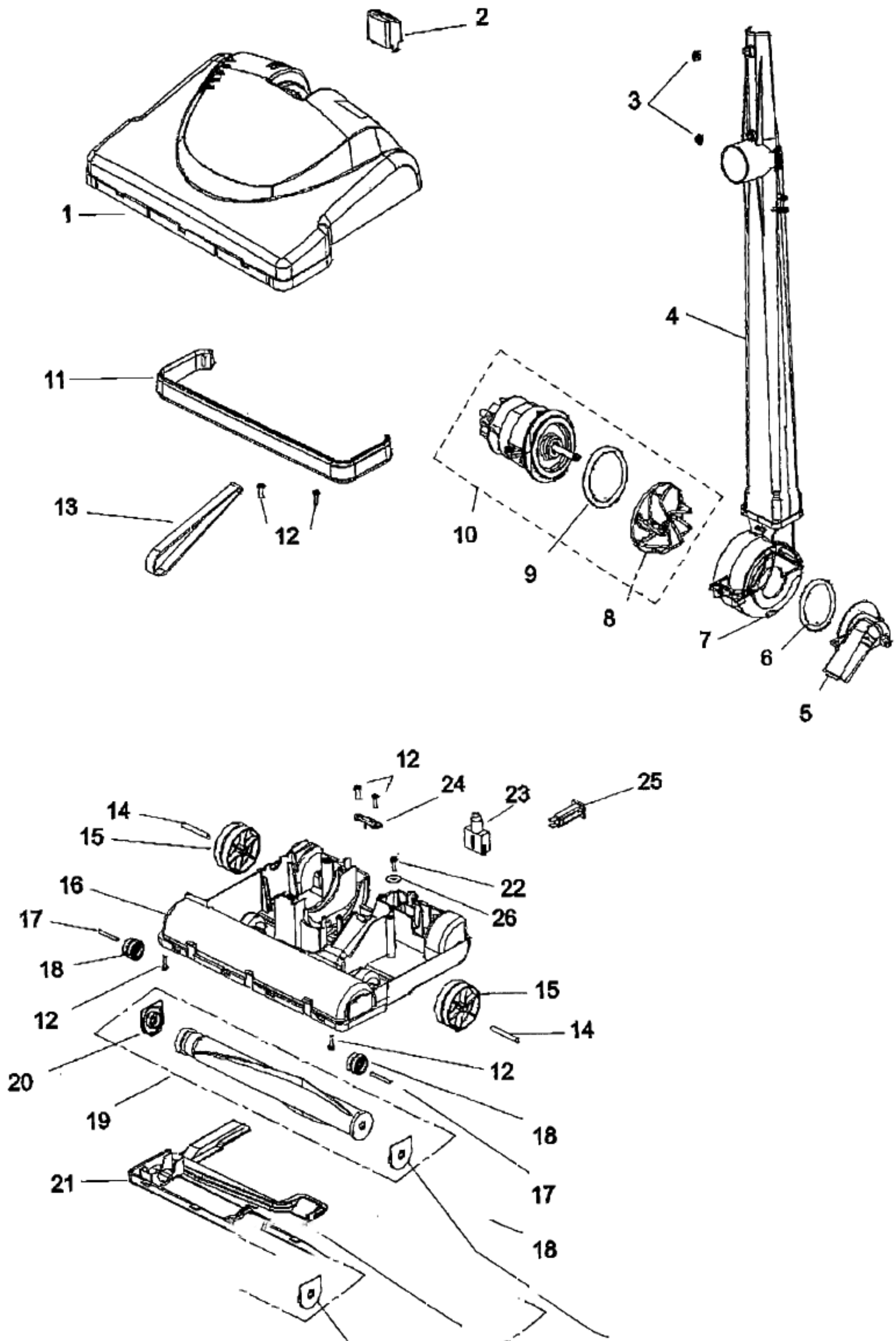


Model Number: HSCC8000N
BOM/Serial #: HSCC8000N
Graphic Title: HANDLE AND BAG

Image	Key	Part Number	Description	Substitution	Qty.
1	1	93001834	HANDLE GRIP		1
1	2	93001835	HANDLE TUBE		1
1	3	93001836	HNDLE TUBE ASY W/GRIP		1
1	4	93001837	LWR HNDLE UPPER FAN HSG		1
1	5	93001838	HANDLE TUBE BRACKET		1
1	6	93001839	SCREW, #10-32X1.625		2
1	7	93001840	SCREW, #8 X 5/8"		4
1	8	93001841	POWER CORD		1
1	9	93001842	METAL CORD HOOK		2
1	10	93001843	HEX NUT		2
1	11	93001844	BAG COLLAR BAG HOLDER		1
1	12	93001845	BAG COLLAR BAG RING		1
1	13	93001846	CLOTH BAG		1
1	14	93001847	LOWER BAG SPRING		1
1	15	93001848	LOWER BAG CLIP		1
1	16	H-93001849	HEPA BAG (6 PACK)		1



Model Number: HSCC8000N
BOM/Serial #: HSCC8000N
Graphic Title: FOOT

Image	Key	Part Number	Description	Substitution	Qty.
1	1	93001812	NOZZLE HOUSING		1
1	2	93001885	FOOT ON/OFF PEDAL		1
1	3	93001843	HEX NUT		2
1	4	93001837	LWR HNDLE UPPER FAN HSG		1
1	5	93001868	FAN DUCT COVER		1
1	6	93001869	FAN DUCT CVR FELT RING SEAL		1
1	7	93001870	LWR FAN HSG		1
1	8	93001871	FAN		1
1	9	93001872	MTR BRACK FELT RING SEAL		1
1	10	93001873	MOTOR/FAN ASY		1
1	11	93001886	FURNITURE GUARD		1
1	12	93001840	SCREW, #8 X 5/8"		6
1	13	93001887	BELT (2 PACK)		1
1	14	93001890	LARGE WHEEL AXLE		2
1	15	93001891	WHEEL-REAR		2
1	16	93001892	BASE TRAY ASY		1
1	17	93001893	BASE PLT WHL AXLE		2
1	18	93001894	BASE PLT WHEEL		2
1	19	93001895	WOOD AGITATOR W/END CAPS	93001906	1
1	20	93001896	END CAP		2
1	21	93001897	BASE PLATE COVER		1
1	22	93001898	COMBINATION SCREW (M4 X 12)		1
1	23	93001900	ON/OFF FOOT SWITCH		1
1	24	93001899	UPRIGHT STOP		1
1	25	93001901	CIRCUIT BREAKER		1
1	26	93001902	STRAIN RELIEF WASHER		1