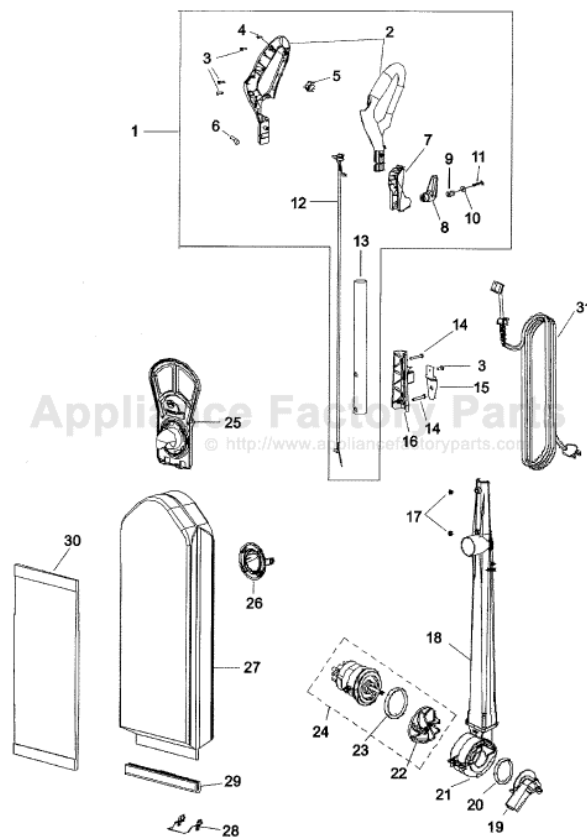


This Owner's Manual is provided and hosted by [Appliance Factory Parts](http://www.appliancefactoryparts.com).



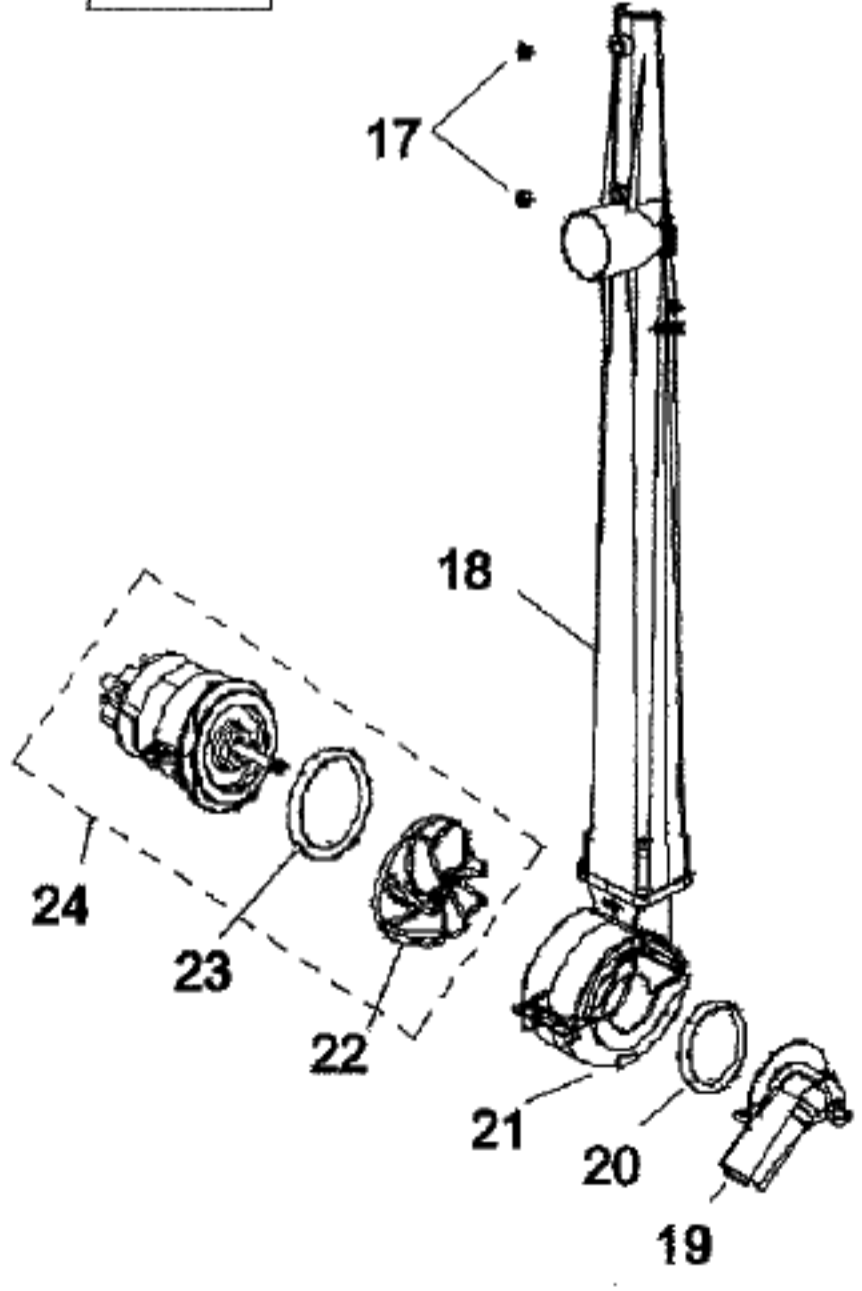
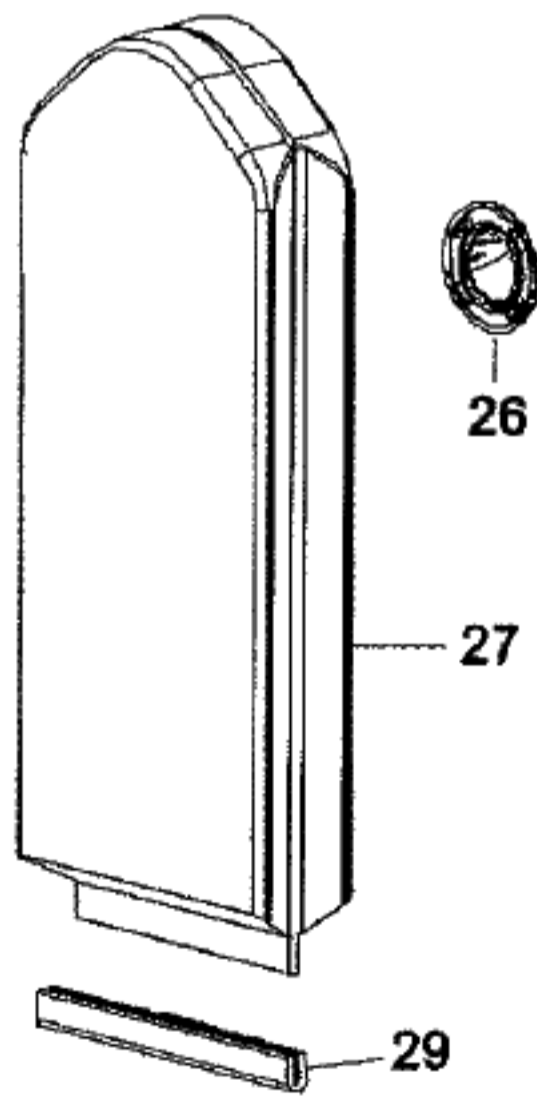
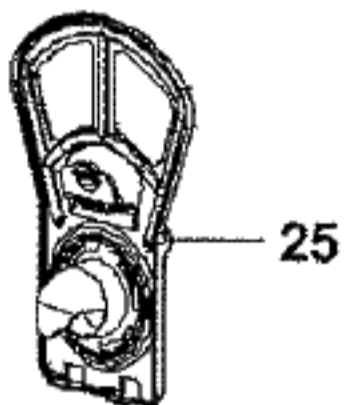
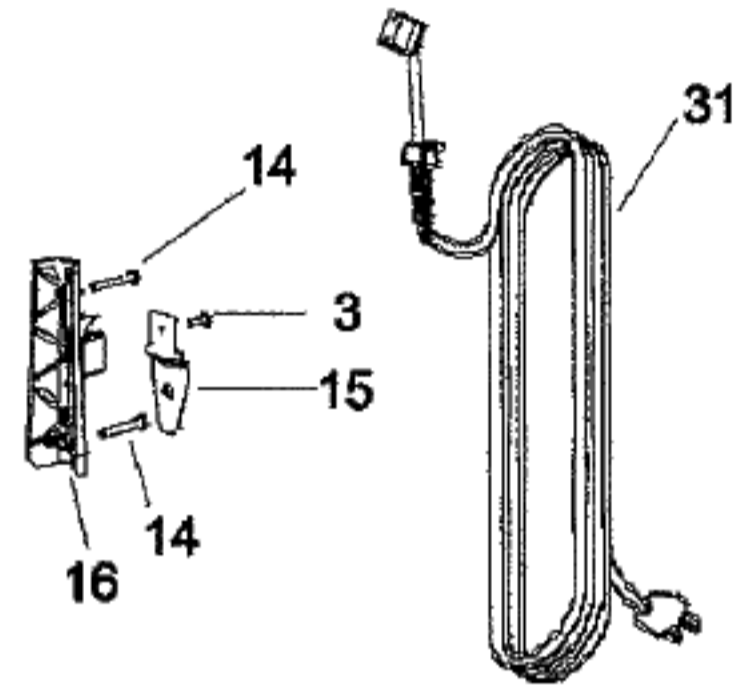
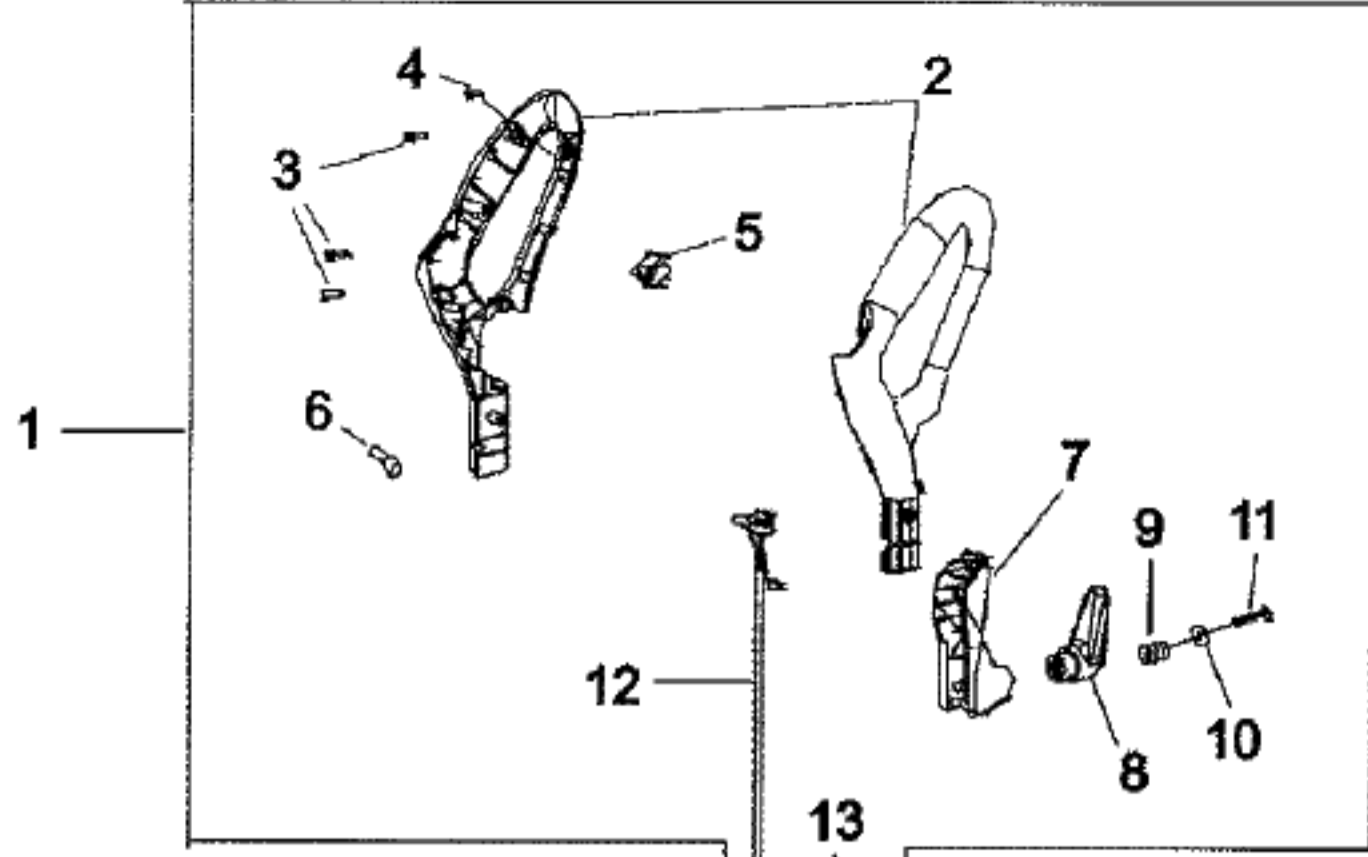
HOOVER HSCU8000B Owner's Manual

[Shop genuine replacement parts for HOOVER
HSCU8000B](#)



[Find Your HOOVER Vacuum Cleaner Parts - Select From 1456 Models](#)

----- Manual continues below -----



Model Number: HSCU8000B
BOM/Serial #: HSCU8000B
Graphic Title: HANDLE AND BAG

Image	Key	Part Number	Description	Substitution	Qty.
1	1	93001850	HANDLE ASY		1
1	2	93001851	HANDLE RIGHT/LEFT ASY		1
1	3	93001840	SCREW, #8 X 5/8"		4
1	4	93001853	SCREW, #8 X 7/16"		1
1	5	93001854	MAIN SWITCH HANDLE		1
1	6	93001855	WIRE CONNECTORS MD.		1
1	7	93001856	HANDLE BACK		1
1	8	93001857	CORD HOOK SWIVEL		1
1	9	93001858	UPPER CORD HOOK SPRING		1
1	10	93001859	UPPR CORD HOOK WASHER		1
1	11	93001860	UPPER CORD HOOK SCREW		1
1	12	93001861	HANDLE CORD HARNESS		1
1	13	93001862	HANDLE TUBE		1
1	14	93001839	SCREW. #10-32X1.625		2
1	15	93001842	METAL CORD HOOK		1
1	16	93001838	HANDLE TUBE BRACKET		1
1	17	93001843	HEX NUT		2
1	18	93001867	LWR HNDLE UPR FAN HSG ASY		1
1	19	93001868	FAN DUCT COVER		1
1	20	93001869	FAN DUCT CVR FELT RING SEAL		1
1	21	93001870	LWR FAN HSG		1
1	22	93001871	FAN		1
1	23	93001872	MTR BRACK FELT RING SEAL		1
1	24	93001873	MOTOR/FAN ASY		1
1	25	93001844	BAG COLLAR BAG HOLDER		1
1	26	93001845	BAG COLLAR BAG RING		1
1	27	93001876	CLOTH BAG		1
1	28	93001847	LOWER BAG SPRING		1
1	29	93001848	LOWER BAG CLIP		1
1	30	93001849	HEPA BAG (6 PACK)		1
1	31	93001880	POWER CORD		1

Model Number: HSCU8000B
BOM/Serial #: HSCU8000B
Graphic Title: FOOT

Image	Key	Part Number	Description	Substitution	Qty.
1	1	93001883	HEADLAMP LENS TEXTURED		1
1	2	93001905	NOZZLE HOUSING		1
1	3	93001843	HEX NUT		2
1	4	93001867	LWR HNDLE UPR FAN HSG ASY		1
1	5	93001868	FAN DUCT COVER		1
1	6	93001869	FAN DUCT CVR FELT RING SEAL		1
1	7	93001870	LWR FAN HSG		1
1	8	93001871	FAN		1
1	9	93001872	MTR BRACK FELT RING SEAL		1
1	10	93001873	MOTOR/FAN ASY		1
1	11	93001886	FURNITURE GUARD		1
1	12	93001840	SCREW, #8 X 5/8"		4
1	13	93001887	BELT (2 PACK)		1
1	14	93001888	LIGHT BULB XENON		1
1	15	93001889	LIGHT SOCKET		1
1	16	93001890	LARGE WHEEL AXLE		2
1	17	93001891	WHEEL-REAR		2
1	18	93001892	BASE TRAY ASY		1
1	19	93001893	BASE PLT WHL AXLE		2
1	20	93001894	BASE PLT WHEEL		2
1	21	93001904	WOOD AGIT W/END CAPS	93001906	1
1	22	93001896	END CAP		2
1	23	93001897	BASE PLATE COVER		1
1	24	93001898	COMBINATION SCREW (M4 X 12)		1
1	25	93001899	UPRIGHT STOP		1
1	26	93001901	CIRCUIT BREAKER		1
1	27	93001902	STRAIN RELIEF WASHER		1

Model Number: HSCU8000B
BOM/Serial #: HSCU8000B
Graphic Title: FOOT

Image	Key	Part Number	Description	Substitution	Qty.
1	1	93001883	HEADLAMP LENS TEXTURED		1
1	2	93001905	NOZZLE HOUSING		1
1	3	93001843	HEX NUT		2
1	4	93001867	LWR HNDLE UPR FAN HSG ASY		1
1	5	93001868	FAN DUCT COVER		1
1	6	93001869	FAN DUCT CVR FELT RING SEAL		1
1	7	93001870	LWR FAN HSG		1
1	8	93001871	FAN		1
1	9	93001872	MTR BRACK FELT RING SEAL		1
1	10	93001873	MOTOR/FAN ASY		1
1	11	93001886	FURNITURE GUARD		1
1	12	93001840	SCREW, #8 X 5/8"		4
1	13	93001887	BELT (2 PACK)		1
1	14	93001888	LIGHT BULB XENON		1
1	15	93001889	LIGHT SOCKET		1
1	16	93001890	LARGE WHEEL AXLE		2
1	17	93001891	WHEEL-REAR		2
1	18	93001892	BASE TRAY ASY		1
1	19	93001893	BASE PLT WHL AXLE		2
1	20	93001894	BASE PLT WHEEL		2
1	21	93001904	WOOD AGIT W/END CAPS	93001906	1
1	22	93001896	END CAP		2
1	23	93001897	BASE PLATE COVER		1
1	24	93001898	COMBINATION SCREW (M4 X 12)		1
1	25	93001899	UPRIGHT STOP		1
1	26	93001901	CIRCUIT BREAKER		1
1	27	93001902	STRAIN RELIEF WASHER		1