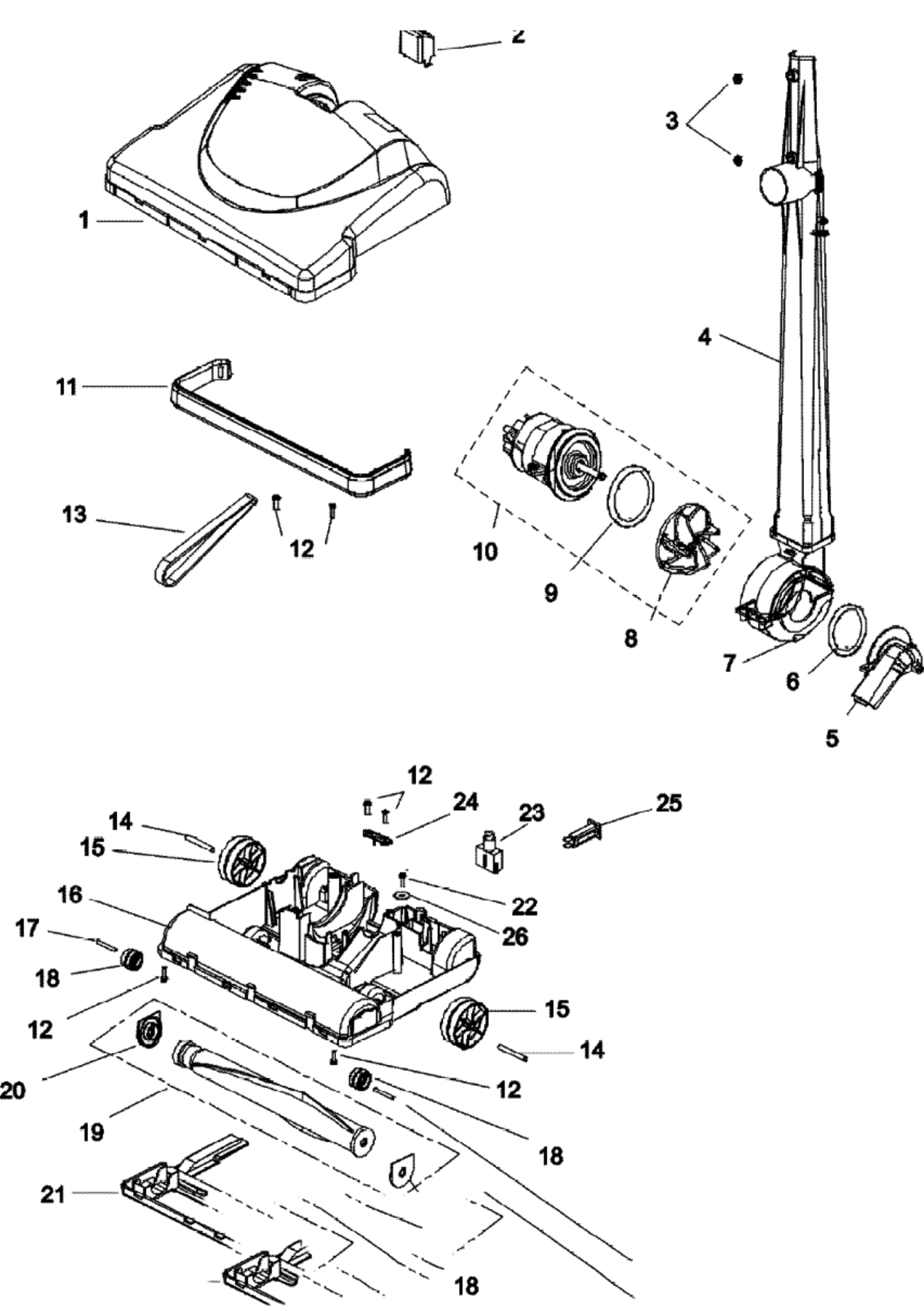


Item	Part Number	Part Description	Alt Part	Series	Qty
1	93001834	HANDLE GRIP			1
2	93001835	HANDLE TUBE			1
3	93001836	HNDLE TUBE ASY W/GRIP			1
4	93001837	LWR HNDLE UPPER FAN HSG			1
5	93001838	HANDLE TUBE BRACKET			1
6	93001839	SCREW, No.10-32X1.625			2
7	93001840	SCREW, No.8 X 5/8"			4
8	93001841	POWER CORD			1
9	93001842	METAL CORD HOOK			2
10	93001843	HEX NUT			2
11	93001844	BAG COLLAR BAG HOLDER			1
12	93001845	BAG COLLAR BAG RING			1
13	93001846	CLOTH BAG			1
14	93001847	LOWER BAG SPRING			1
15	93001848	LOWER BAG CLIP			1
16	93001849	HEPA BAG (6 PACK)			1



Item	Part Number	Part Description	Alt Part	Series	Qty
1	93001912	NOZZLE HOUSING			1
2	93001885	FOOT ON/OFF PEDAL			1
3	93001843	HEX NUT			2
4	93001837	LWR HNDLE UPPER FAN HSG			1
5	93001868	FAN DUCT COVER			1
6	93001869	FAN DUCT CVR FELT RING SEAL			1
7	93001870	LWR FAN HSG			1
8	93001871	FAN			1
9	93001872	MTR BRACK FELT RING SEAL			1
10	93001873	MOTOR/FAN ASY			1
11	93001886	FURNITURE GUARD			1
12	93001840	SCREW, No.8 X 5/8"			6
13	93001887	BELT (2 PACK)			1
14	93001890	LARGE WHEEL AXLE			2
15	93001891	WHEEL-REAR			2
16	93001892	BASE TRAY ASY			1
17	93001893	BASE PLT WHL AXLE			2
18	93001894	BASE PLT WHEEL			2
19	93001895	WOOD AGITATOR W/END CAPS	93001906		1
20	93001896	END CAP			2
21	93001897	BASE PLATE COVER			1
22	93001898	COMBINATION SCREW (M4 X 12)			1
23	93001900	ON/OFF FOOT SWITCH			1
24	93001899	UPRIGHT STOP			1
25	93001901	CIRCUIT BREAKER			1
26	93001902	STRAIN RELIEF WASHER			1