



Product features may vary from the picture above.



ELECTRIC TOY: Not recommended for children under 3 years of age. As with all electric products, precautions should be observed during handling and use to prevent electric shock.

Jeep® Adventure Team

Owner's Manual with Assembly Instructions

Please read this manual and save it with your original sale's receipt.

For Model 74450

Tools needed for assembly: Phillips Screwdriver, Slotted Screwdriver, Hammer, Safety Scissors.

Use only with Power Wheels® Type H, 6 Volt Batteries, Power Wheels® 30 Amp Fuses and Power Wheels® Type H 12 Volt Charger (all included).

Requires two 9 Volt alkaline (6LR61) batteries (not included) for the Walkie-Talkies.

Throughout this manual you will find important messages in the form of **WARNINGS**, **CAUTIONS**, and **NOTES**.



WARNING

WARNING – SIGNALS SOMETHING THAT COULD HURT YOUR CHILD OR YOU. The message explains the hazard and how you can avoid it.



WARNING

- Children can be harmed by small parts, sharp edges and sharp points in the vehicle's unassembled state, or by electrical items. Care should be taken in unpacking and assembly of the vehicle. Children should not handle parts, batteries or help in assembly of the vehicle.
- Keep small parts and plastic bags out of children's reach. Dispose of plastic bags properly.
- Adult supervision is required. Children do not have the judgement necessary to avoid many accidents. Be sure that children operating this vehicle can do so safely and that they are supervised at all times.
- Improper use of this vehicle could lead to a serious or fatal accident. Allow children to play with **Jeep® Adventure Team** only when you have determined that they can do so safely. Follow all instructions to help your child enjoy this vehicle as safely as possible.
- Never use in unsafe areas including but not limited to steps, steep inclines or slopes greater than 10°, roadways, bodies of water, low obstructions or in the dark.
- Always wear shoes or sneakers when operating or riding in this vehicle.
- Never allow more than two riders; one driver and one passenger.
- Riders should sit on the seat when the vehicle is in operation.
- **Hot** motor covers. Handle carefully.
- Never alter this vehicle or its electrical system in any way. Alterations could cause a fire resulting in injury and could also ruin the electrical system.
- Use of the wrong type 6 volt battery, fuse or charger could cause a fire or explosion, resulting in serious injury.
- Never add unauthorized parts to the vehicle or use substitute parts. Use only specified Power Wheels® replacement parts.
- Batteries must be handled by adults only.
- Never lift or carry the 6 volt batteries by the wires or connectors. This can damage the 6 volt batteries and possibly cause a fire resulting in injury. Lift and carry the 6 volt batteries by the cases only.
- Never permit a child to handle batteries. The 6 volt batteries are heavy and contain sulfuric acid (electrolyte) and if dropped, could result in serious injury. Read the cautions on the back panel of the 6 volt batteries.
- Never allow children to charge the 6 volt batteries. Battery charging must be done by adults only. A child could be injured by the electricity involved in charging batteries.
- Examine the 6 volt batteries, charger and their connectors for excessive wear or damage each time you charge the 6 volt batteries. If damage or excessive wear is detected, do not use the vehicle until you have replaced the worn or damaged part as it could possibly cause a fire resulting in injury.

 **CAUTION**

CAUTION – SIGNALS SOMETHING THAT COULD DAMAGE THE VEHICLE.

The message explains the risk and how you can avoid it.

NOTE – Is used to highlight useful information.

 **CAUTION**

- Do not operate your vehicle for the first time until you have inserted the 30 amp fuses into the 6 volt batteries and charged the batteries for at least 18 hours. Never charge the 6 volt batteries longer than 30 hours.
- After first-time use, charge the 6 volt batteries for at least 14 hours after each use. Never charge the 6 volt batteries longer than 30 hours.
- Use the charger indoors only.
- Read and follow the Battery Care instructions on page 37. Failure to follow the Battery Care instructions may permanently damage your batteries and will void your warranty.
- When you purchase replacement 6 volt batteries, you should buy a set. Using an older 6 volt battery with a new 6 volt battery may cause permanent damage to both 6 volt batteries.
- To avoid damaging motors and gears, do not overload the vehicle.
 - Never allow more than two children in the vehicle at one time; one driver and one passenger.
 - Do not exceed the maximum weight capacity of 130 lbs.
 - Do not tow anything behind **Jeep® Adventure Team**. The extra weight may overload the vehicle.
- Avoid operating the vehicle in wet or snowy conditions, and do not spray the vehicle with a hose. Do not wash the vehicle with soap and water. Water or moisture in the motors or electrical switches can cause them to corrode, and could cause switch or motor failure.
- Avoid operating the vehicle on sand, loose dirt or gravel. Sand, loose dirt and gravel in the electrical switches or motors can cause them to jam, and could cause switch or motor failure. Use **Jeep® Adventure Team** on grass, asphalt or other hard surfaces.

Table of Contents

A	Message to Parents	4
B	Important Information	5
C	Parts	6
D	Parts Diagram	10
E	Parts List	11
F	First-Time 6 Volt Battery Charging	12
G	Vehicle Assembly	14
H	Telepak Assembly	28
I	6 Volt Battery Installation	33
J	Charging the 6 Volt Batteries	35
K	Battery Handling/Care/Disposal	37
L	Rules for Safe Driving	38
M	How to Operate Your Vehicle	40
N	How to Use the Walkie Talkies	42
O	Frequently Asked Questions	43
P	Problems and Solutions Guide	44
Q	Limited Warranty/FCC Note	48
R	Authorized Service Centers	48

A

Message to Parents

Thank you for purchasing the Power Wheels® **Jeep® Adventure Team!** For over 30 years, Power Wheels® has manufactured high-quality, battery-powered vehicles for children. Our goal is to provide your child with an enjoyable and safe driving experience. To help achieve this goal, it is extremely important that you read this entire manual and share the appropriate information with your child.

Jeep® Adventure Team requires adult assembly. Please set aside at least 60 minutes for assembly. Read the assembly instructions carefully and identify all parts before assembly. Refer to the Parts section beginning on page 6 for parts identification. Save all packaging material until assembly is complete to ensure that no parts are discarded.

In the unlikely event that parts are missing or damaged or if you have any questions about your Power Wheels® vehicle, please call our Consumer Affairs toll-free service lines, open from 8 AM to 6 PM (EST) Monday through Friday.

Please call us at 1-800-348-0751.

Trained customer service representatives are available to take your call in English or French.

¿Hable Español? Si usted tiene alguna pregunta ó necesita asistencia llame gratis 1-800-348-0755 para los Estados Unidos. Tenemos representantes que hablan español para atender su llamada.

We also have a nationwide Authorized Service Center network – with over 300 Authorized Service Centers. Our Authorized Service Centers will repair or replace parts under warranty at no charge. For vehicles beyond warranty, our Authorized Service Centers will perform repairs for a minimal charge. For the Authorized Service Center nearest you, please see the Authorized Service Center listing beginning on page 48.

B

Important Information

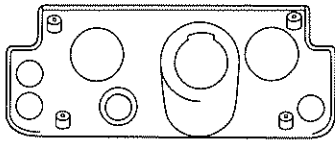
- Carefully read this manual for important safety information and operating instructions before using your vehicle.
- Please complete and return the enclosed Registration Card, or call 1-800-348-0751 to register your vehicle by phone.
- **Jeep® Adventure Team** is designed for use by children 3-7 years.
- Adult assembly is required.
- **Jeep® Adventure Team** has adjustable play seat belts. Please note that the adjustable seat belts are designed to be a play feature only and do not function as protective safety restraints.
- This vehicle uses two Power Wheels® Type H, 6 volt batteries with Power Wheels® 30 amp fuses and a Power Wheels® Type H 12 volt charger (120 VAC 60 HZ 28W with an output of 12 VDC 1200 mA). **Do not** substitute any other batteries, fuses or charger.
- **Before first-time use, charge the 6 volt batteries for at least 18 hours. Never charge the 6 volt batteries longer than 30 hours.**
- After the first charge, charge the 6 volt batteries a minimum of 14 hours after each use. Never charge the 6 volt batteries longer than 30 hours.
- Do not run down the 6 volt batteries completely before charging.
- Leaving the 6 volt batteries in a discharged condition will ruin them.
- Charge the 6 volt batteries before storing your vehicle.
- Charge the 6 volt batteries at least once per month, even if the vehicle has not been used.
- Do not store the 6 volt batteries in temperatures above 75° F or below -10° F.
- Even with proper care, the 6 volt batteries will not last forever. The life of the 6 volt batteries depends on how well you follow the Battery Care instructions and the total number of hours the 6 volt batteries are used. Please refer to the Battery Handling/Care/Disposal instructions on page 37 for detailed information about battery care.
- When you purchase replacement Power Wheels® Type H, 6 volt batteries, you should buy them as a set. Using an older 6 volt battery with a new 6 volt battery may result in poor performance and may cause permanent damage to both 6 volt batteries. Remember to charge new 6 volt batteries for at least 18 hours before first use.
- To purchase Power Wheels® Type H, 6 volt batteries, Power Wheels® 30 amp fuses or a Power Wheels® Type H 12 volt charger, please contact:
 - the store where your vehicle was purchased.
 - an Authorized Service Center (see Authorized Service Center list beginning on page 48).
 - Power Wheels® Consumer Affairs at **1-800-348-0751**.
- While the 6 volt batteries are charging, the charger may become warm to the touch. This is a normal condition and does not indicate a problem.
- **Jeep® Adventure Team** is suitable for use on grass, asphalt or other hard surfaces. To prevent damage to the motors and switches, do not operate the vehicle on loose dirt, gravel or sand.
- To prevent damage to electrical components, store **Jeep® Adventure Team** inside or under a protective cover during snowy or rainy weather. Do not leave **Jeep® Adventure Team** out in the rain or let your child wash it with soap and water.
- **Jeep® Adventure Team** has a special circuit-breaker in the wiring to protect the motors and electrical system. If the vehicle is put under extreme load (driving on rough surfaces, too much weight, climbing too steep of an incline), the circuit-breaker will shut the electrical system down for up to 20 seconds. If the system repeatedly shuts down, the driving conditions may be too demanding (ie: too steep or too much weight).
- The metal parts have been coated with a lubricant to protect them during shipment. Wipe all metal parts with a paper towel to remove any excess lubricant.

C

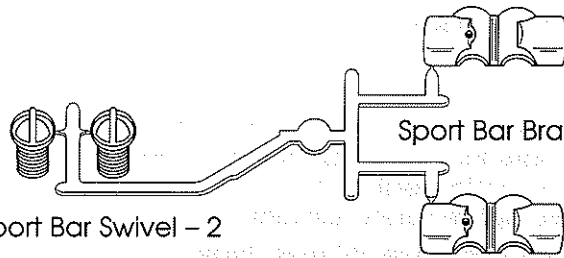
Parts

If you experience a problem with this product, or are missing a part, please call us at **1-800-348-0751**, rather than return this product to the store.

Please save all packaging material until assembly is complete to ensure that no parts are discarded.



Dashboard Plate

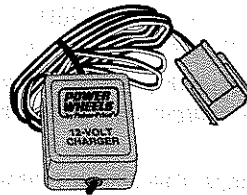


Sport Bar Swivel - 2

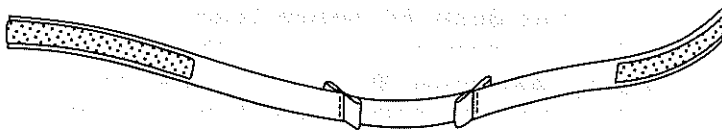
Sport Bar Bracket - 2



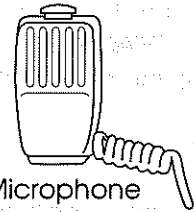
Short Seat Belt Strap - 2



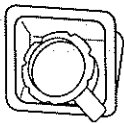
12 Volt Charger



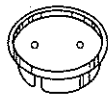
Long Seat Belt Strap



Microphone



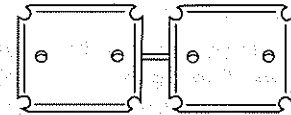
Gas Cap Assembly



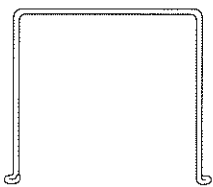
Steering Wheel Cap



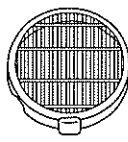
Sport Bar Support - 2



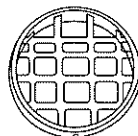
Taillight Lens Set



Battery Retainer



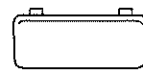
Headlight Lens - 2



Headlight Guard - 2

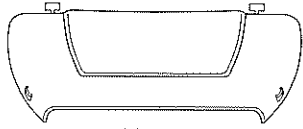


Taillight Housing Set

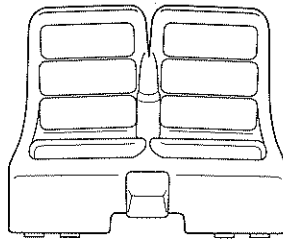


Turn Signal Lens - 2

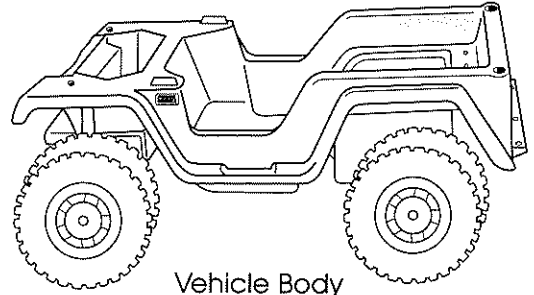
Parts



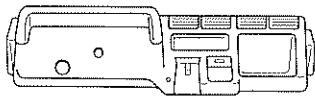
Hood



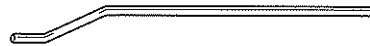
Seat



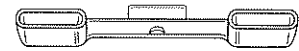
Vehicle Body



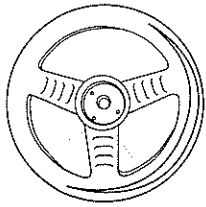
Dash



Steering Column



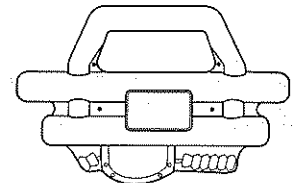
Rear Bumper



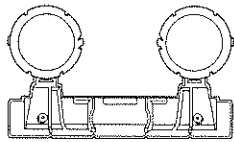
Steering Wheel



Sport Bar



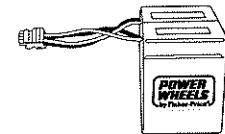
Brushguard



KC™ Light Rack, Rear



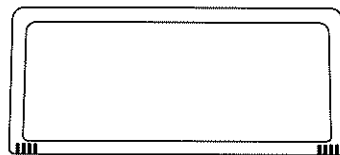
KC™ Light Rack, Front



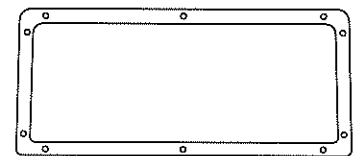
Battery - 2



KC™ Light Cover - 2



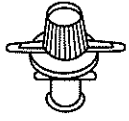
Windshield Front



Windshield Back

Not Shown: Label Sheets, Literature Bag

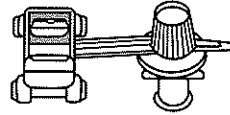
Parts



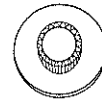
Pointer Knob - 2



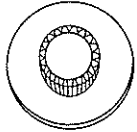
Round Knob - 4



Radar Knob



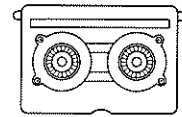
Telepak Storage Door Knob - 2



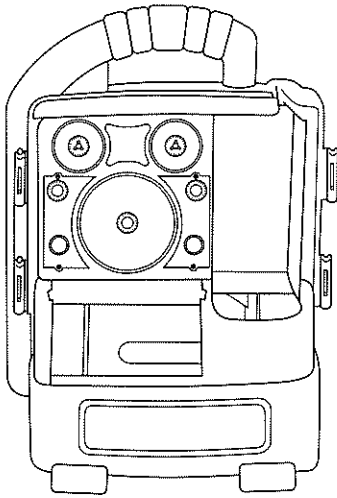
Combination Knob



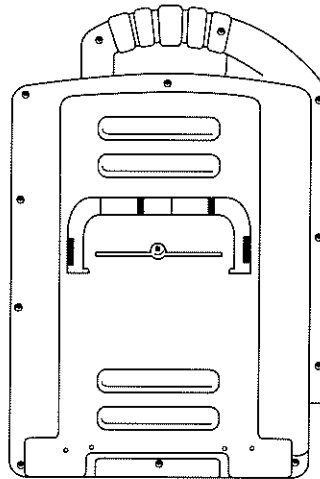
Telepak Door Hinge Rod - 2



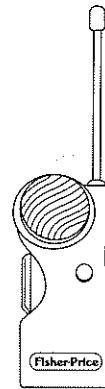
Telepak Storage Door



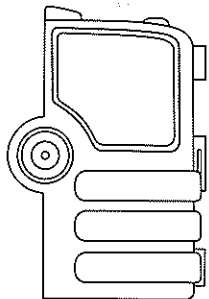
Telepak Front



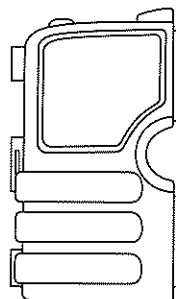
Telepak Back



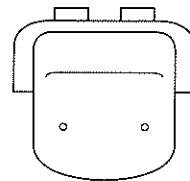
Walkie-Talkie - 2



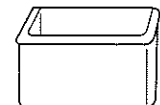
Telepak Left Door



Telepak Right Door

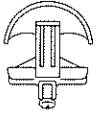


Telepak Clip

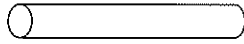


Walkie-Talkie Holder

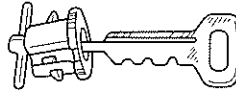
Parts



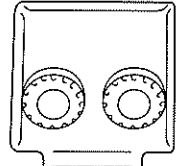
Hood Latch - 2



Brushguard Spacer Tube - 2



Key Assembly



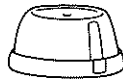
Knob Plate



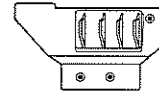
Hinge Pin - 2



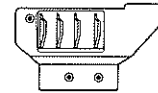
30 Amp Fuse - 3*



.354 Cap Nut - 3*



Windshield Hinge Bracket, Left - 1

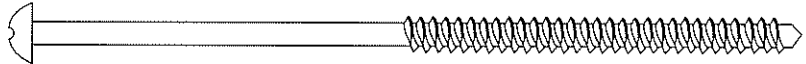


Windshield Hinge Bracket, Right - 1

*For your convenience, an extra 30 amp fuse and .354 cap nut has been included.



#10 x 1" Screw - 4



#8 x 4" Screw - 2



#10 x 3/4" Screw - 2



#6 x 3/8" Screw - 3



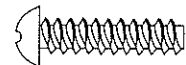
#8 x 1" Screw - 12



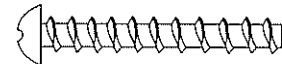
#6 x 3/4" Screw - 13



#6 x 1 1/2" Screw - 4



#8 x 3/4" Screw - 9

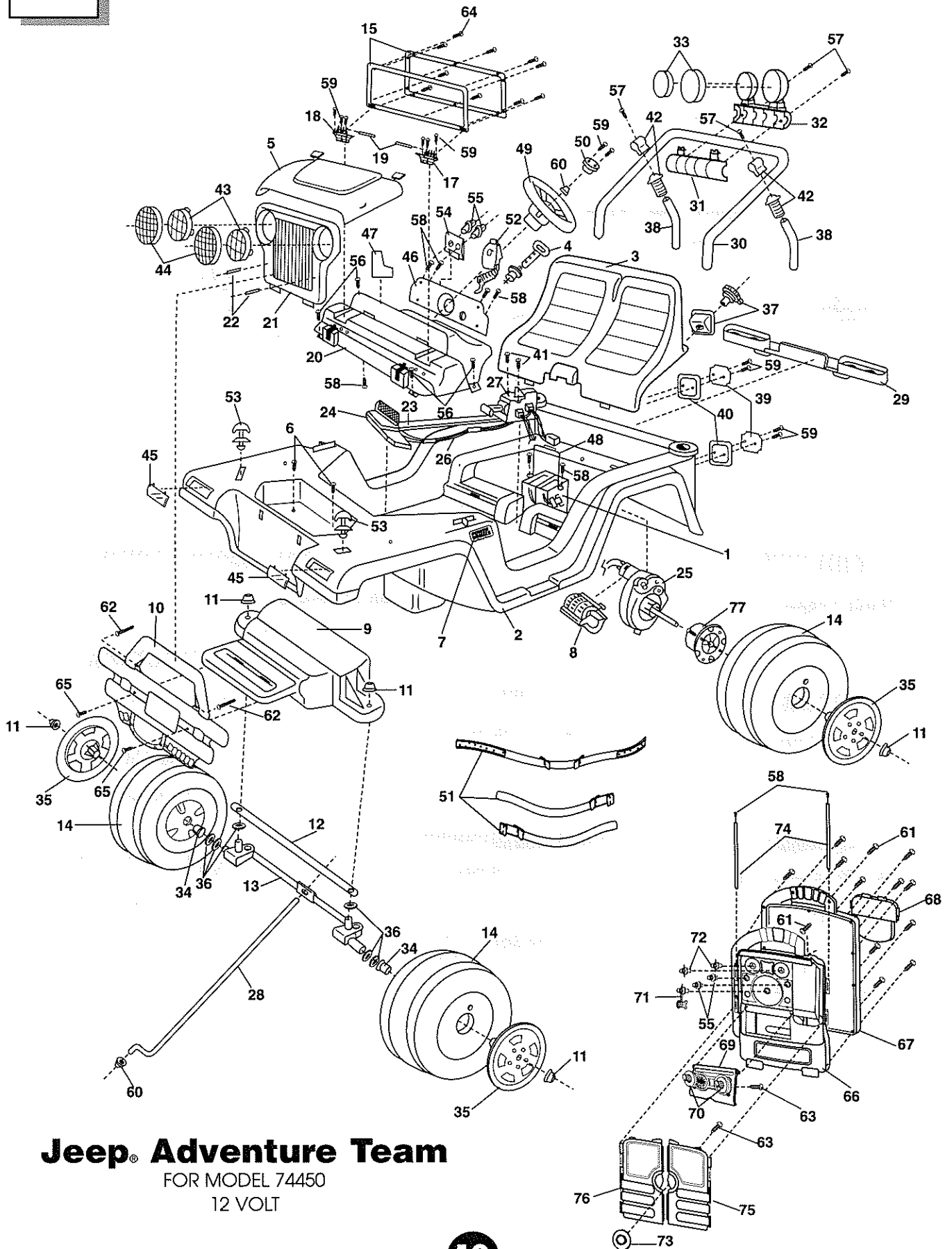


#8 x 1 1/4" Screw - 10

All Screws Shown
Actual Size

D

Parts Diagram



Jeep® Adventure Team

FOR MODEL 74450

12 VOLT

E

Parts List

Note: The parts listed below are not all consumer assembled. Consumer assembled parts are shown on pages 6, 7 and 8 and are highlighted in bold type below.

Item No.	Description	Part No.	Qty.	Item No.	Description	Part No.	Qty.
1	Battery	0801-0051	2	58	#8 x 3/4" Screw (Black)	0801-0223	9
2	Body	74450-2019	1	59	#8 x 1" Screw (Black)	0801-0224	12
3	Seat	74440-2319	1	60	Cap Nut.354 (Black)	0801-0215	3
4	Key/Housing Assembly	74550-2439	1	61	#6 x 3/4" Screw (Silver)	0801-0302	13
5	Hood	74450-2529	1	62	#8 x 4" Screw (Black)	0801-0301	2
6	5/16" x 3 1/2" Hex Bolt	0801-0192	2	63	#6 x 3/8" Screw (Silver)	0801-0219	3
7	PW Emblem	74460-9069	2	64	#8 x 1 1/4" Screw (Black)	0801-0216	10
8	Motor Cover	76803-2489	2	65	#10 x 3/4" Screw (Black)	0801-0309	2
9	Front Module	74450-2119	1	66	Telepak Case - Front	74450-2319	1
10	Brushguard	74450-2189	1	67	Telepak Case - Rear	74450-2329	1
11	Cap Nut .437 (Black)	0801-0214	6	68	Clip - Telepak	74450-2339	1
12	Cross Bar	74440-4419	1	69	Door, Telepak Storage	74450-2369	1
13	Axle/Link Assembly	74440-9419	1	70	Knob, Telepak Storage Door	74450-2399	2
14	Wheel	74440-2459	4	71	Knob, Telepak Radar	74450-2379	1
15	Windshield - Front/Rear	74450-9159	1	72	Knob, Telepak Pointer	74450-2389	2
16	Omitted			73	Knob, Telepak Combination	74450-2419	1
17	Windshield Hinge - Left	74450-2679	1	74	Hinge Rod	74450-4019	2
18	Windshield Hinge - Right	74450-2689	1	75	Telepak Door, Left	74450-2349	1
19	Hinge Pin	0801-0257	2	76	Telepak Door, Right	74450-2359	1
20	Dash	74450-2699	1	77	Wheel Driver	74440-2249	2
21	Grille	74450-2849	1				
22	Spacer	74460-2069	2				
23	Channel Cover	74450-2469	1				
24	Footboard Assembly	74440-9829	1				
25	#7 Gearbox w/Motor	74440-9619	2				
26	Harness Assembly	74440-9799	1				
27	Shifter Assembly	74450-9139	1				
28	Steering Column	74440-4239	1				
29	Rear Bumper	74440-2039	1				
30	Sport Bar	74450-4219	1				
31	KC™ Light Rack - Front	74450-2199	1				
32	KC™ Light Rack - Rear	74450-2209	1				
33	KC™ Light Cover	74460-2169	2				
34	Axle Bushing	74550-2689	2				
35	Hubcap	74440-2579	4				
36	7/16" Washer	0801-0196	6				
37	Gas Cap/Flange Assembly	74440-9089	1				
38	Sport Bar Support	74440-4229	2				
39	Taillight Lens Set	73233-2279	1				
40	Taillight Housing Set	73233-2759	1				
41	#8 x 7/8" Screw (Silver)	0801-0228	2				
42	Sport Bar Bracket/Swivel Set	74440-2049	1				
43	Headlight Lens	74450-2279	2				
44	Headlight Lens Guard	74460-2339	2				
45	Turn Signal Lens	74440-2349	2				
46	Dash Plate	74440-2679	1				
47	Walkie-Talkie Holder	74450-2439	1				
48	Battery Retainer	74440-4019	1				
49	Steering Wheel	74440-2379	1				
50	Steering Wheel Cap	74550-2729	1				
51	Seatbelt Set	74460-5339	1				
52	CB Mic w/Cord	74760-9479	1				
53	Hood Latch	74450-9559	2				
54	Knob Plate	74440-2719	1				
55	Round Knob	74550-2719	4				
56	#10 x 1" Screw (Black)	0801-0220	4				
57	#6 x 1 1/2" Screw (Black)	0801-0221	4				

Parts Not Shown

Label Main Sheet	74450-0320	1
Literature Bag	74450-9109	1
#8 x 3/4" Phillips Head	0801-0223	5
Large Parts Bag	74450-9249	1
Telepak Parts Bag	74450-9269	1
12v Charger	0801-0225	1
Small Parts Bag	74450-9259	1
Twist-Lock Fastener	0801-0197	2
Lock Fastener	78570-2239	1
Motor	74440-0640	1
#7 Gearbox w/o Motor (Blk)	74440-9259	1
Fuse 30 Amp	0801-0229	3
5/16" Hex Nyloc Nut	0801-0193	2
Screw Bag	74450-9099	1
Walkie-Talkie	74450-9459	2

F

First-Time 6 Volt Battery Charging

We recommend that you start charging your 6 volt batteries before beginning assembly of your vehicle. **Your new 6 volt batteries must be charged for at least 18 hours before you use your vehicle for the first time.**



WARNING

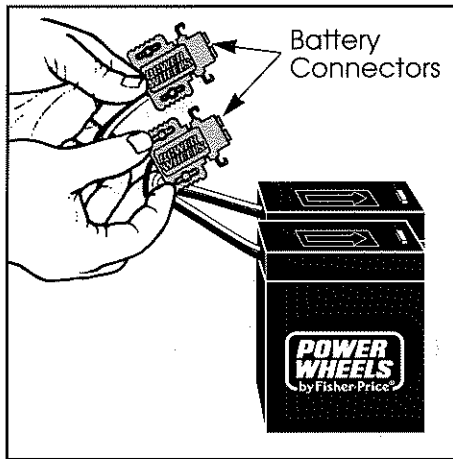
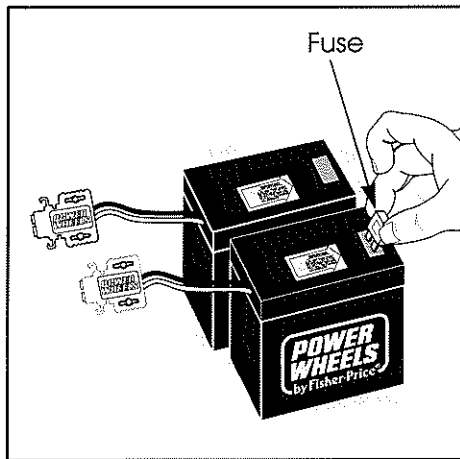
- Batteries must be handled by adults only.
- Never allow children to charge the 6 volt batteries. Battery charging must be done by adults only. A child could be injured by the electricity involved in charging batteries.
- Use of the wrong type 6 volt battery, fuse or charger could cause a fire or explosion, resulting in serious injury.
- Never permit a child to handle batteries. The 6 volt batteries are heavy and contain sulfuric acid (electrolyte) and, if dropped, could result in a serious injury. Read the cautions on the back panel of the 6 volt batteries.
- Never lift or carry the 6 volt batteries by the wires or connectors. This can damage the 6 volt batteries and possibly cause a fire. Lift and carry the 6 volt batteries by the cases only.
- Examine the 6 volt batteries, charger and their connectors for excessive wear or damage each time you charge the 6 volt batteries. If damage or excessive wear is detected, do not use the charger or the vehicle until you have replaced the worn or damaged part.
- Never alter this vehicle or its electrical system in any way. Alterations could cause a fire resulting in injury and could also ruin the electrical system.



CAUTION

- Do not operate the vehicle for the first time until you have inserted 30 amp fuses into the 6 volt batteries and charged them for at least 18 hours. Never charge the 6 volt batteries longer than 30 hours.
- Carefully read the Battery Care instructions to obtain the best battery life. Failure to follow the Battery Care instructions may permanently damage your 6 volt batteries and may void your warranty.
- Use the charger indoors only.

First-Time 6 Volt Battery Charging

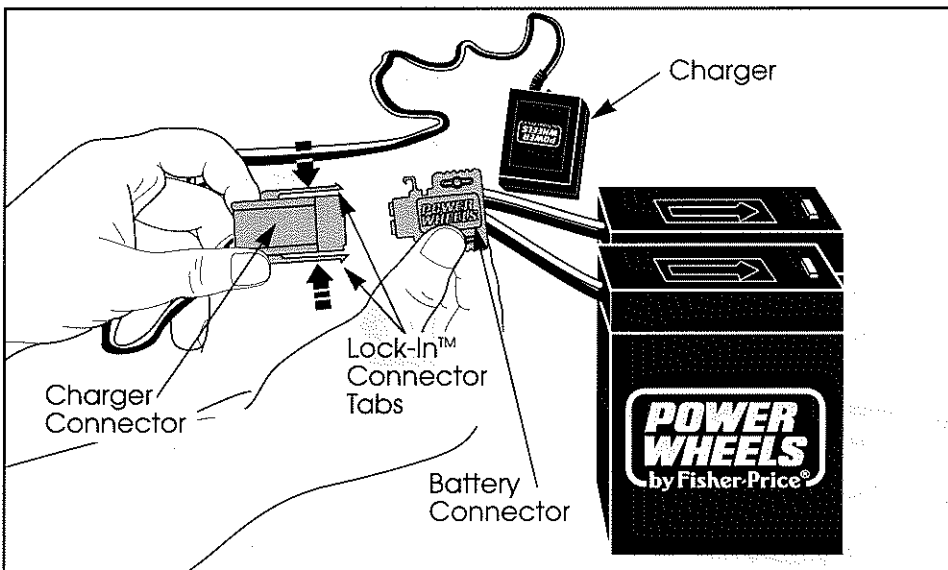


1

- Insert a 30 amp fuse into each 6 volt battery.

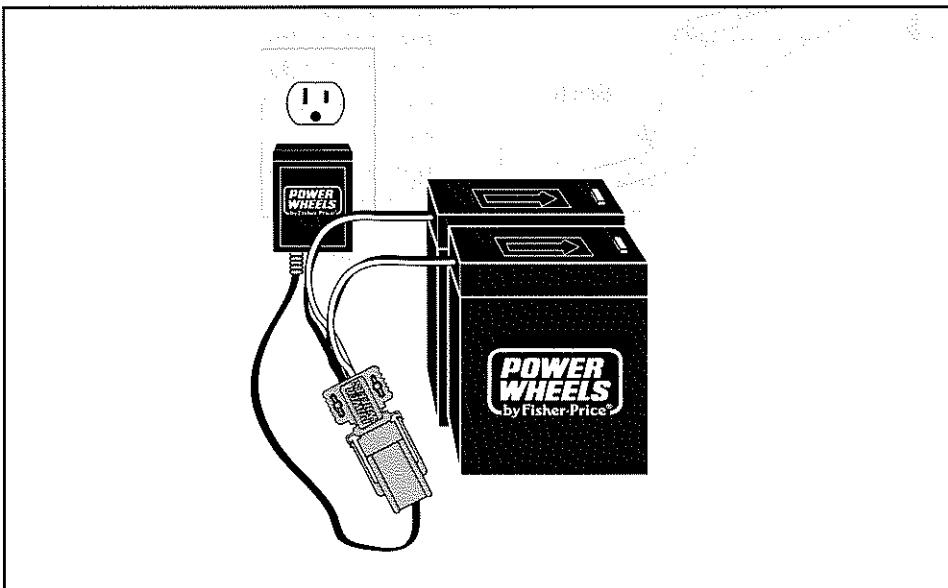
Note: The top of the fuse will not be flush with the top of the 6 volt battery when properly installed.

- Stack one battery connector on top of the other and snap them together.



2

- Squeeze the Lock-In™ connector tabs on the charger connector and plug it into the battery connector.



3

- Plug the charger into a standard 120 volt wall outlet.

Note: If power flow to the wall outlet is controlled by a switch, make sure the switch is "ON".

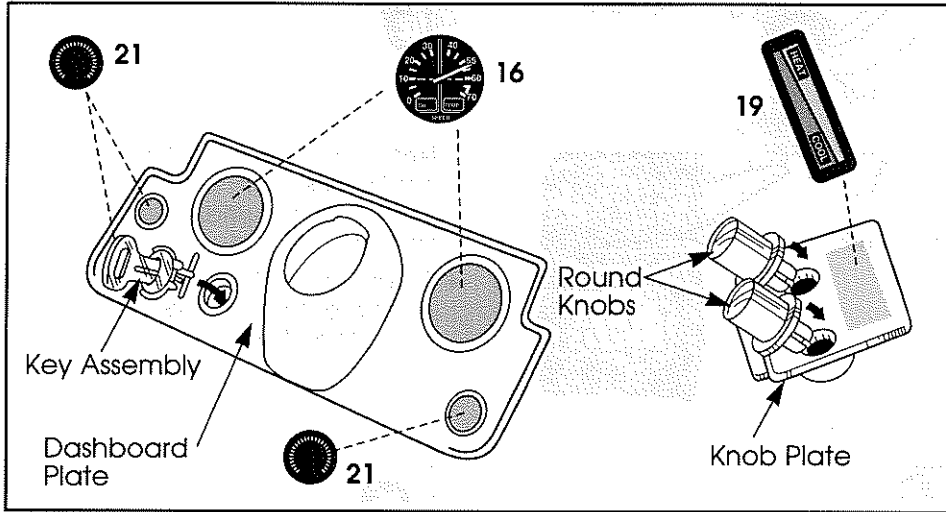
- Before first time use, charge the 6 volt batteries for **at least 18 hours**. Never charge the 6 volt batteries longer than 30 hours.

Note: The 6 volt batteries must be upright while charging.

G

Vehicle Assembly

Do Not Omit Any Steps.



1

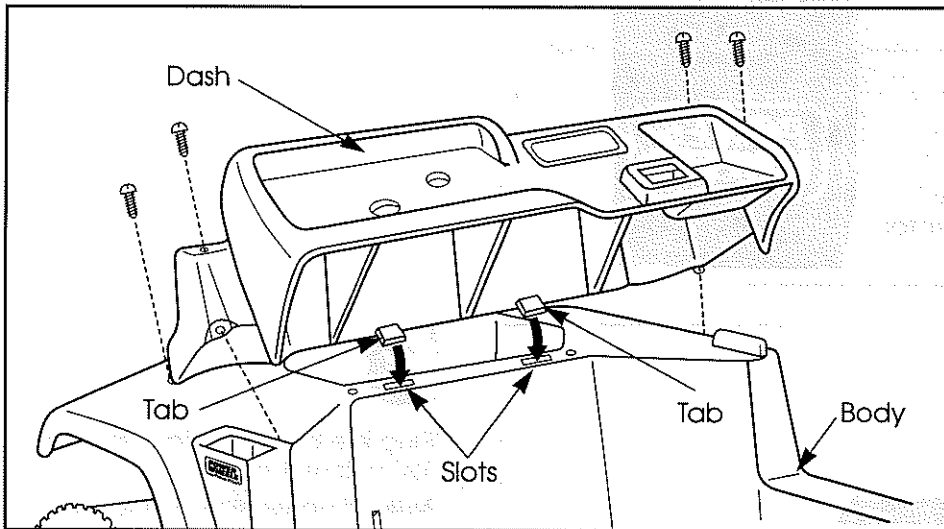
- Apply labels to the dashboard plate and knob plate as shown. Make sure the areas where the labels will be applied are clean and dry. For best adhesion, avoid applying labels more than once.

Note: There are two interchangeable labels numbered 16 on the label sheet.

- Snap the key assembly into the dashboard plate.
- Snap two round knobs into the knob plate.

Note: Gently squeeze the tabs on the knobs together before inserting the knobs into the knob plate.

- Set the dashboard plate and knob plate aside.



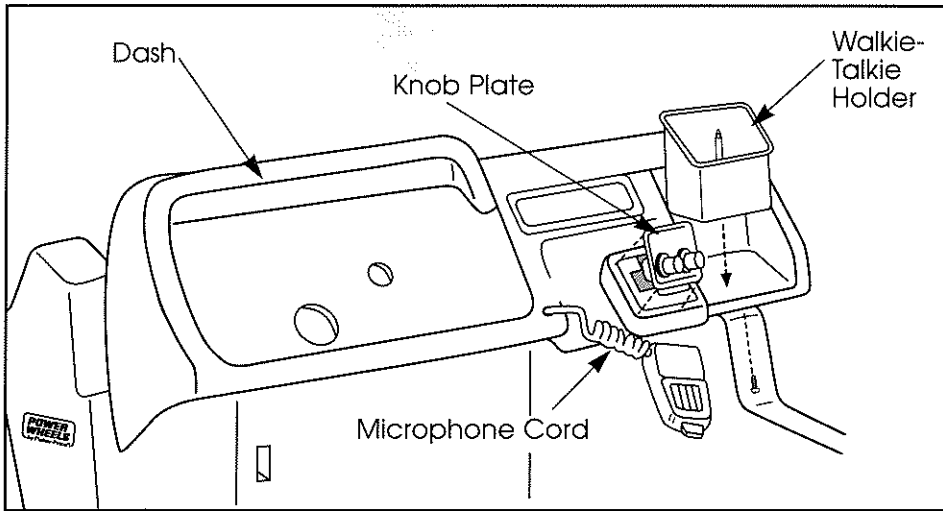
2



#10 x 1" Screw - 4
Shown Actual Size

- Fit the tabs on the dash into the slots in the front of the vehicle body.
- Insert four #10 x 1" screws as shown.
- Tighten each screw with a Phillips screwdriver. Do not over-tighten.

Vehicle Assembly

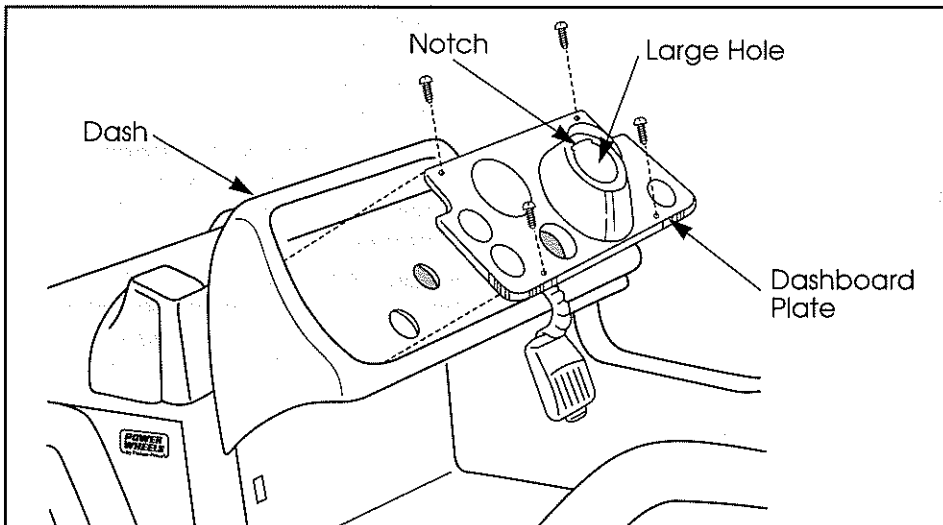


3



#8 x $\frac{3}{4}$ " Screw
Shown Actual Size

- Insert the end of the microphone cord through the hole in the dash.
- Bend the end of the microphone cord so that it forms a "T".
- Position the bottom edge of the knob plate in the opening in the dash.
- Snap the top of the knob plate into the dash.
- Fit the walkie-talkie holder into the pocket in the dash as shown.
- Insert a #8 x $\frac{3}{4}$ " screw up through the dash and into the walkie-talkie holder, as shown.
- Tighten the screw with a Phillips screwdriver. Do not over-tighten.



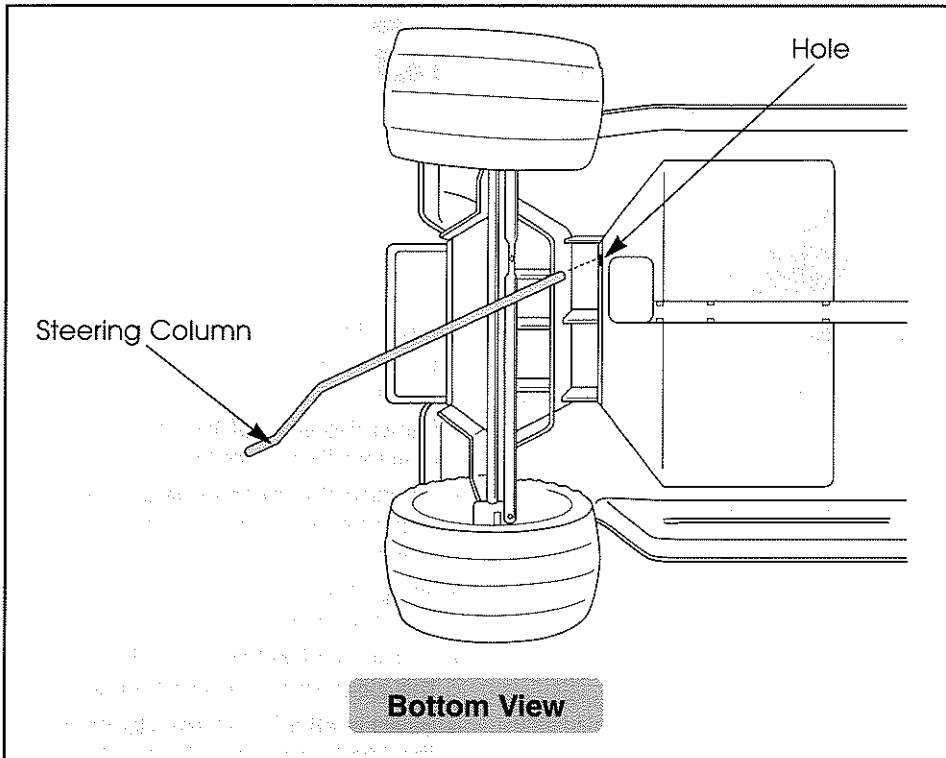
4



#8 x $\frac{3}{4}$ " Screw - 4
Shown Actual Size

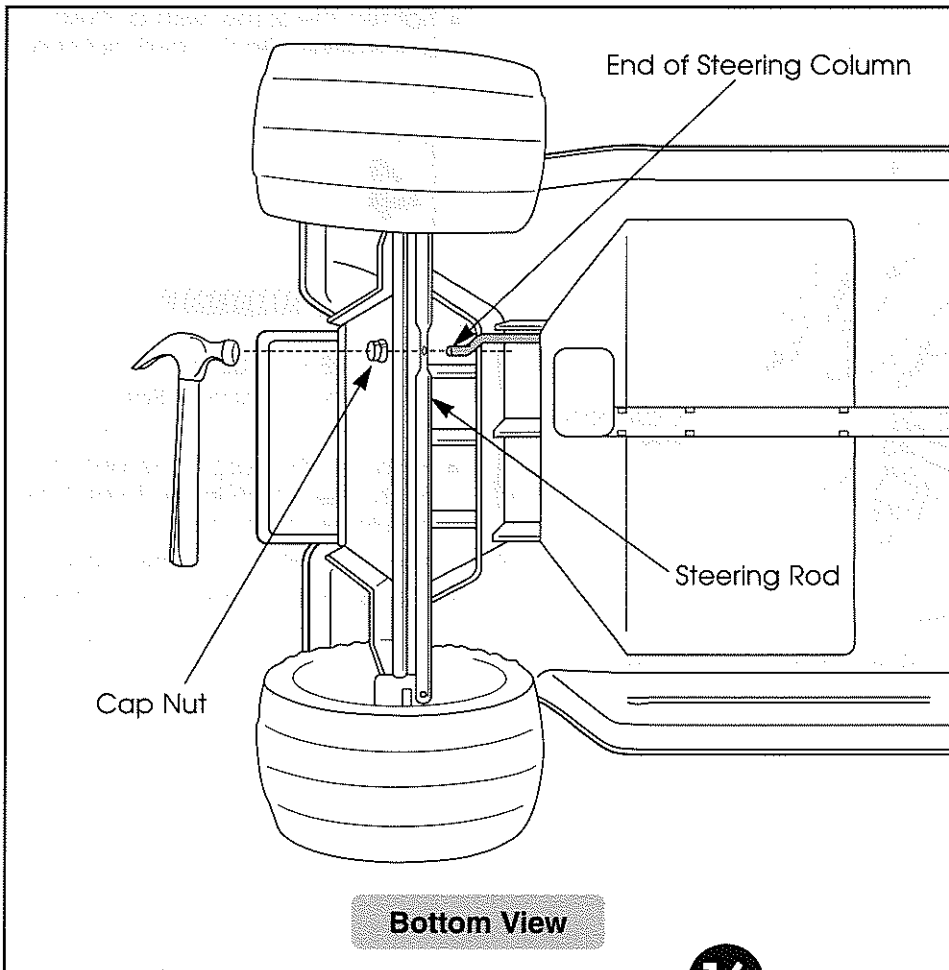
- Fit the dashboard plate onto the dash. The notch in the large hole should be at the top.
- Insert four #8 x $\frac{3}{4}$ " screws as shown.
- Tighten each screw with a Phillips screwdriver. Do not over-tighten.

Vehicle Assembly



5

- Wipe the steering column with a paper towel to remove any excess lubricant.
- Turn the vehicle body on its side.
- Insert the straight end of the steering column up through the hole in the vehicle body wall and out through the hole in the dashboard plate.

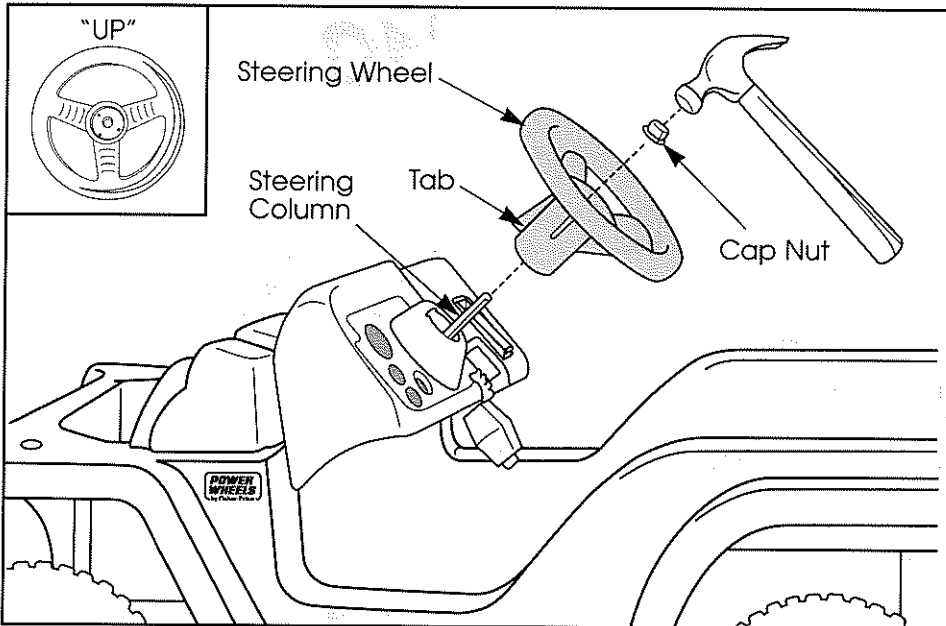


6

- Insert the end of the steering column through the hole in the steering rod.
- Fit a cap nut onto the end of the steering column.
- While supporting the steering column, tap the cap nut with a hammer to secure it on the steering column.

Helpful Hint! You may want the help of another person to support the steering column while you tap the cap nut with the hammer.

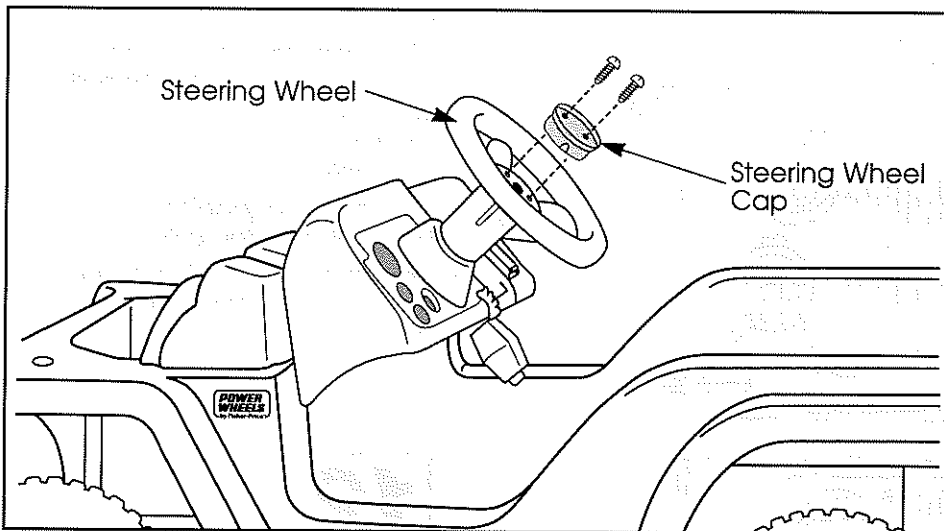
Vehicle Assembly



7

- Turn the vehicle body upright.
- Position the steering wheel so that the spokes form a "Y" as shown. The tab on the steering wheel stem should face up.
- Fit the steering wheel onto the steering column.
- Fit a cap nut onto the end of the steering column.
- Tap the cap nut with a hammer to secure it on the steering column.

Helpful Hint! You may want the help of another person to support the steering column while you tap the cap nut with the hammer.

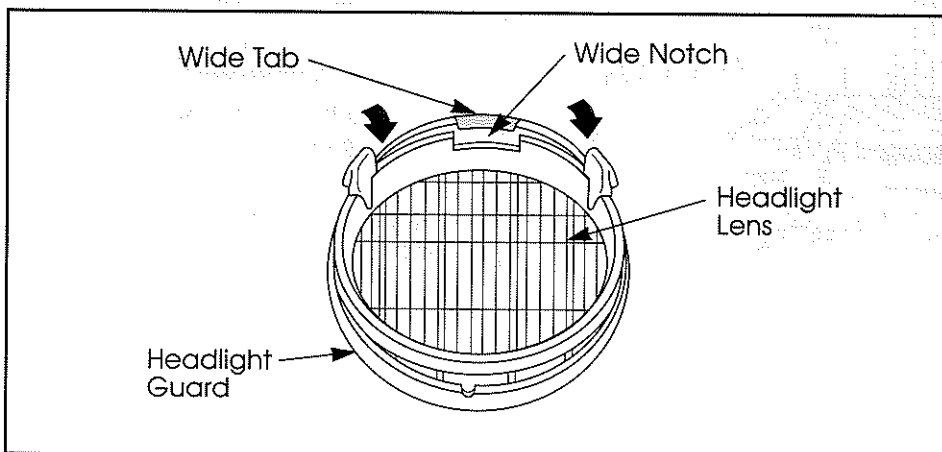


8



#8 x 1" Screw – 2
Shown Actual Size

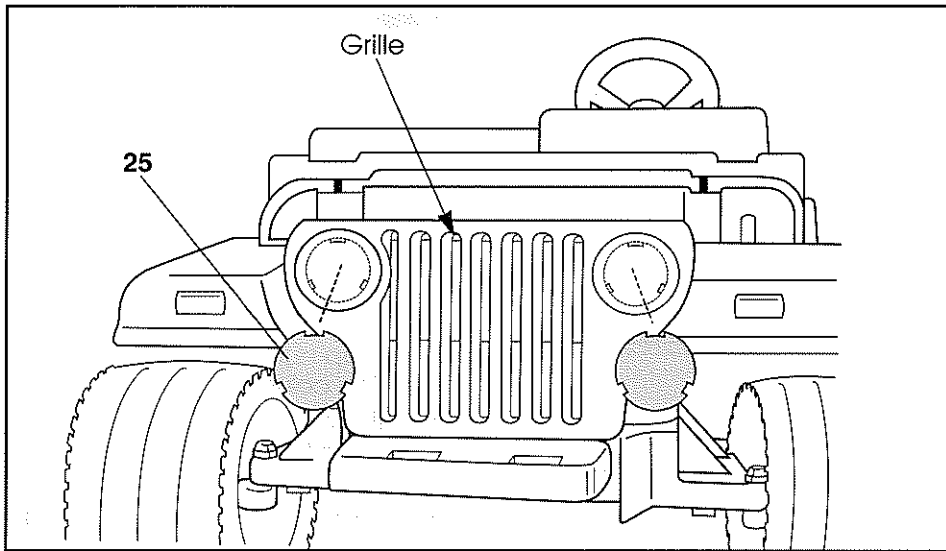
- Fit the steering wheel cap into the center of the steering wheel with the screw holes aligned.
- Insert two #8 x 1" screws as shown.
- Tighten the screws with a Phillips screwdriver. Do not over-tighten.



9

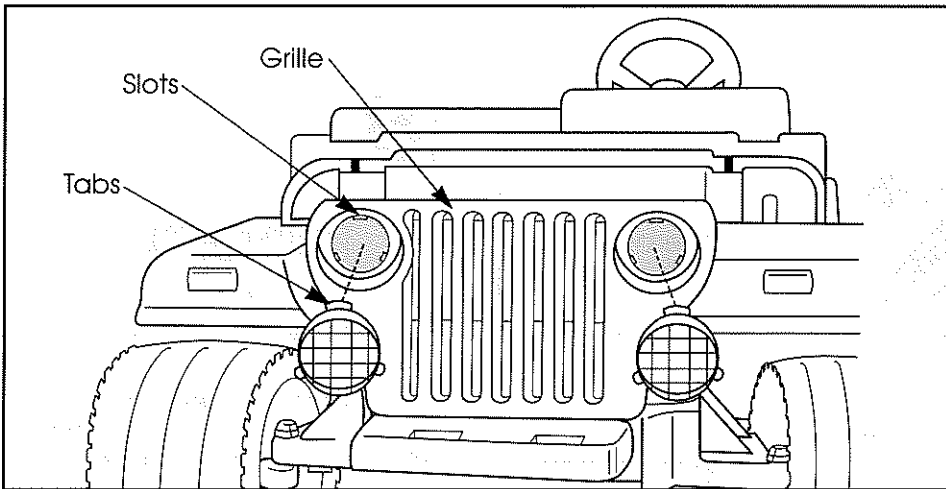
- Fit the wide notch in the side of a headlight lens under the wide tab on a headlight guard.
- Press firmly on the inside of the headlight lens to snap it into the headlight guard.
- Repeat this procedure to assemble the other headlight lens to the remaining headlight guard.

Vehicle Assembly



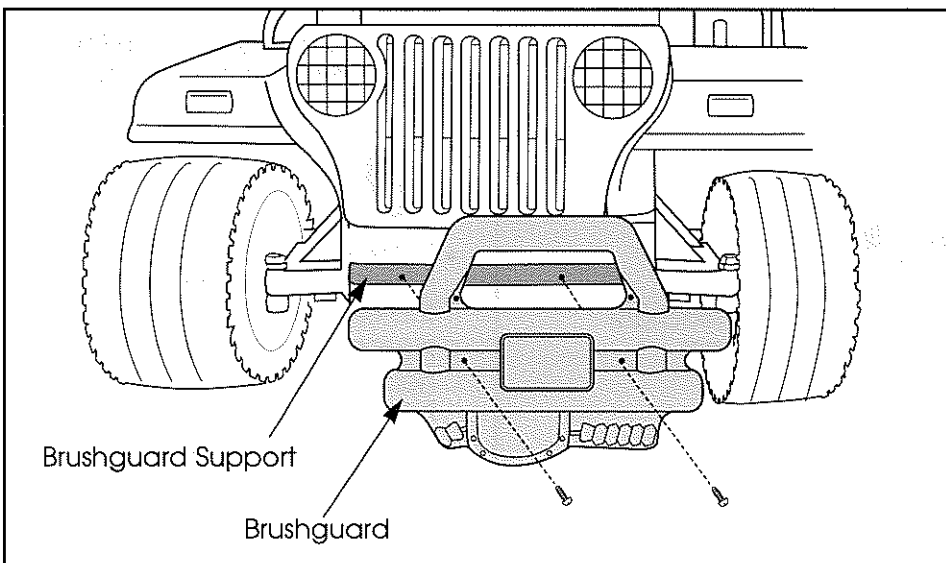
10

- Face the front of the vehicle.
- Apply labels to the grille as shown. Make sure the areas where the labels will be applied are clean and dry. For best adhesion, avoid applying the labels more than once.



11

- Fit the lens tabs on the back of a lens assembly into the headlight slots in the grille. The large lens tab is at the top of the lens assembly.
- Press firmly to snap the lens assembly into the grille.
- Repeat this procedure to snap the other lens assembly into the grille.



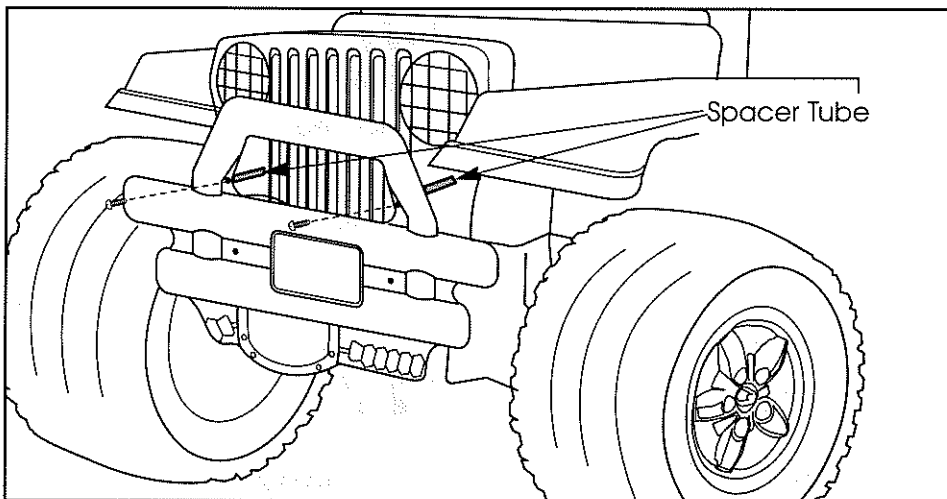
12



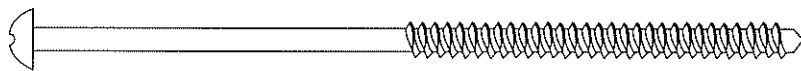
#10 x $\frac{3}{4}$ " Screw - 2
Shown Actual Size

- Fit and hold the brushguard against the brushguard support on the front of the vehicle body.
- Insert two #10 x $\frac{3}{4}$ " screws through the front of the brushguard and into the brushguard support.
- Tighten the screws with a Phillips screwdriver. Do not over-tighten.

Vehicle Assembly



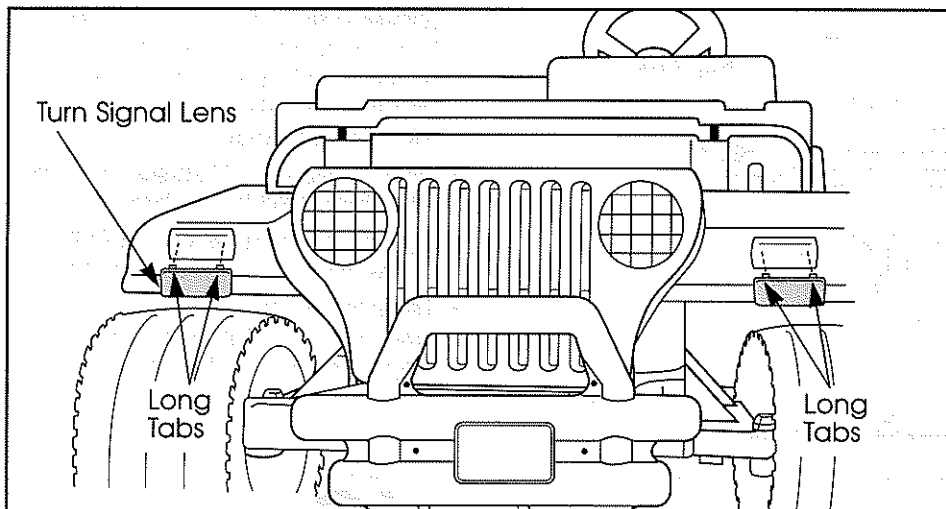
Spacer Tube



#8 x 4" Screw - 2
Shown Actual Size

13

- Fit a spacer tube between the grille and the back of the brushguard, as shown.
- Insert a #8 x 4" screw through the brushguard and spacer tube, and into the hole in the grille.
- Tighten the screw with a Phillips screwdriver. Do not over-tighten.
- Repeat this procedure to assemble the other side of the brushguard and the remaining spacer tube to the grille.



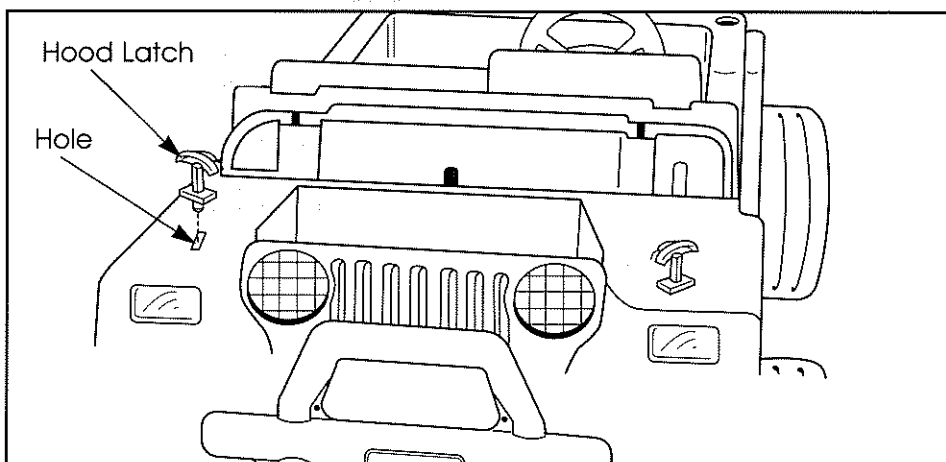
Turn Signal Lens

Long Tabs

Long Tabs

14

- Insert the long tabs on a turn signal lens into the slots in the front of the vehicle body. The long tabs are at the top of the turn signal lens.
- Push firmly on the bottom of the turn signal lens to snap the bottom tabs into the vehicle body.
- Repeat this procedure to attach the other turn signal lens to the vehicle body.



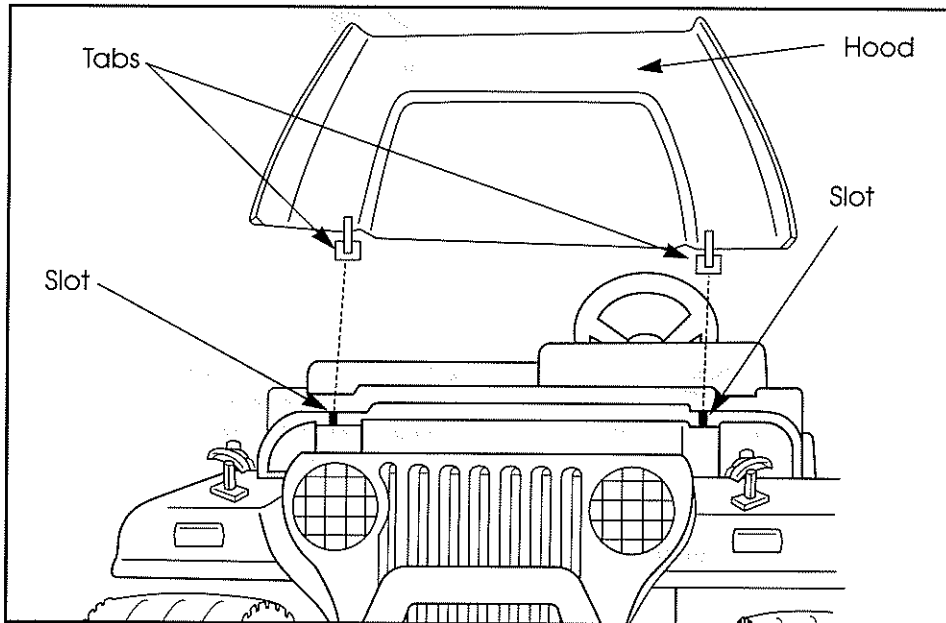
Hood Latch

Hole

15

- Insert a hood latch into one of the holes in the vehicle body, near the hood area.
- Twist the base of the hood latch $\frac{1}{4}$ turn to secure it in the vehicle body.
- Repeat this procedure to attach the other hood latch to the vehicle body.

Vehicle Assembly



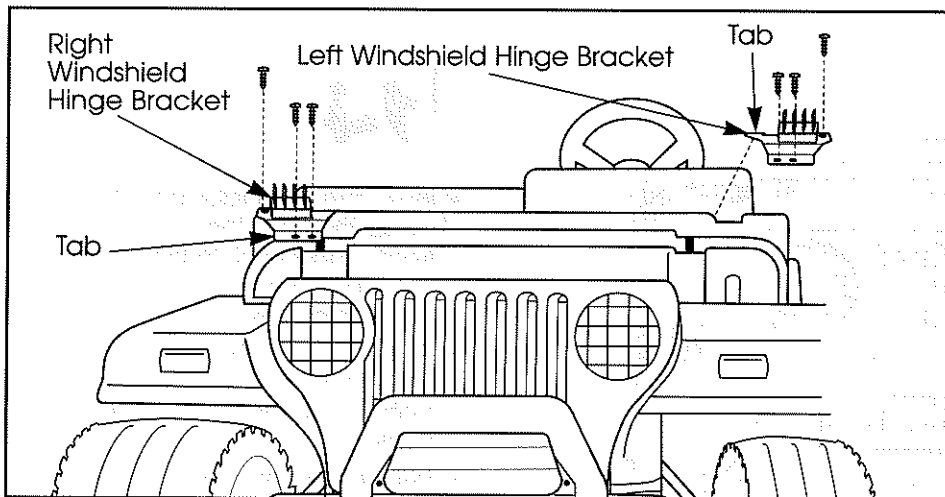
16

- Position the hood over the front of the vehicle body as shown.
- Insert the tabs on the hood into the slots in the vehicle body.
- Close the hood.

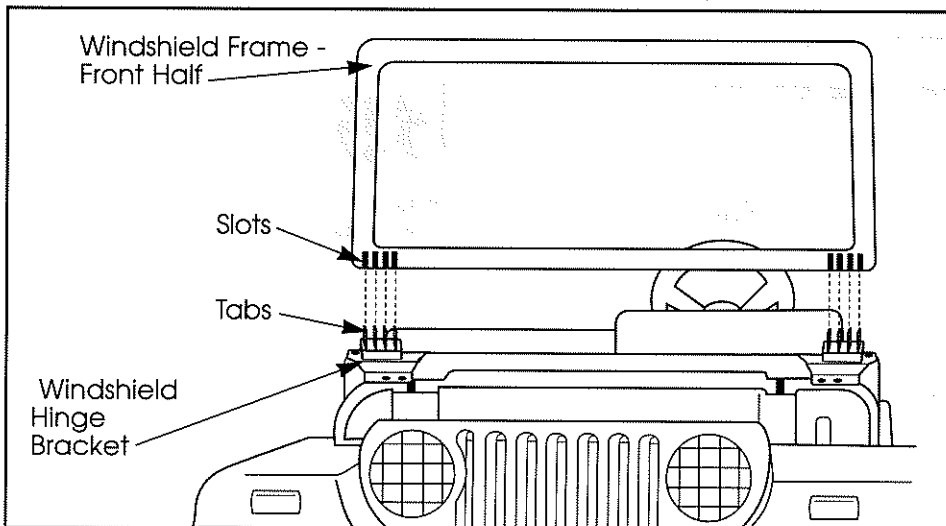
17



#8 x 1" Screw – 6
Shown Actual Size



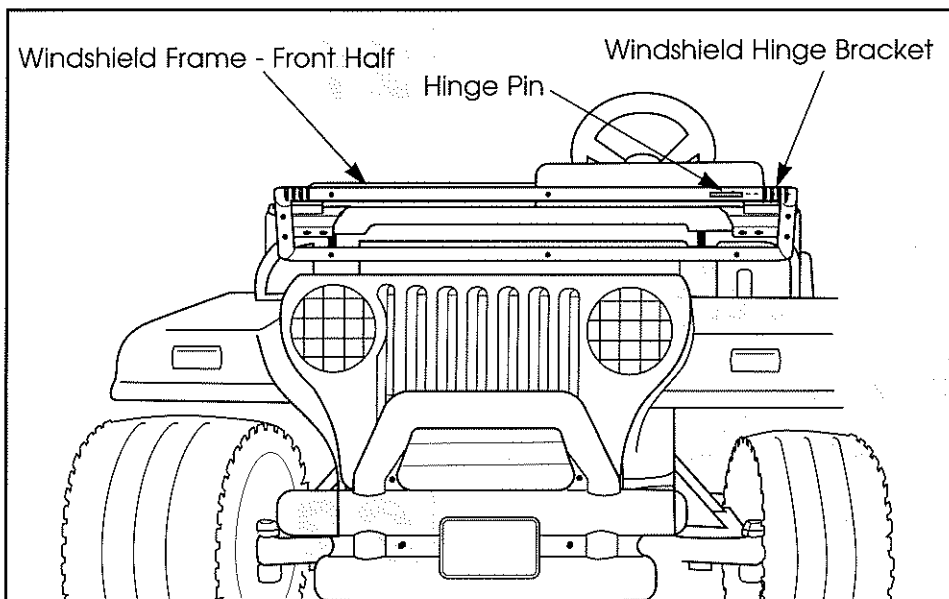
- Insert the tab on the left windshield hinge bracket into the slot at the top of the dash on the left (driver's) side of the vehicle body. Make sure the screw holes in the windshield hinge bracket are aligned with the screw holes in the vehicle body.
- Insert three #8 x 1" screws into the left windshield hinge bracket.
- Tighten the screws with a Phillips screwdriver. Do not over-tighten.
- Repeat this procedure to assemble the right windshield hinge bracket to the vehicle body.



18

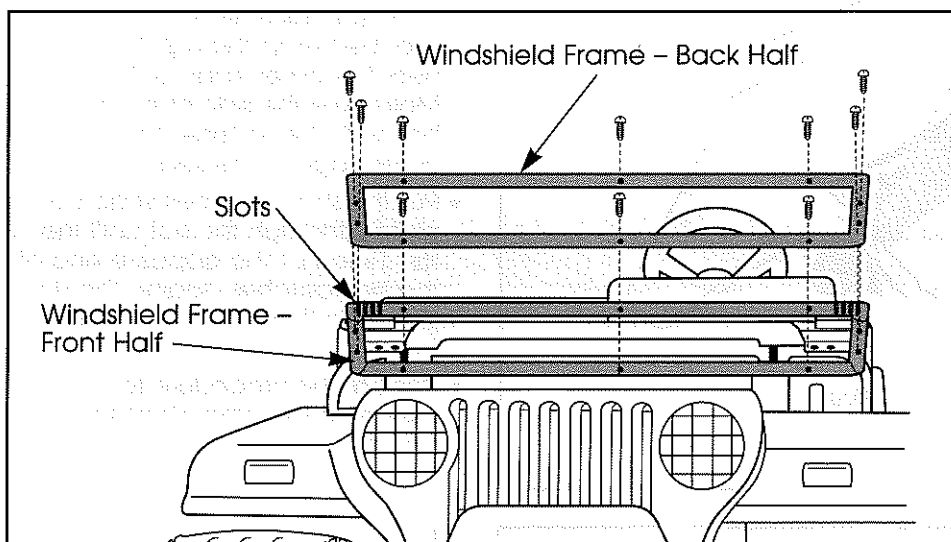
- Align the slots in the bottom of the front half of the windshield frame with the tabs on the windshield hinge brackets.
- Fit the front half of the windshield frame onto the windshield hinge brackets as shown.

Vehicle Assembly

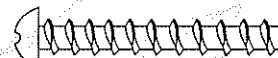


19

- Lay the front half of the windshield frame on the hood.
- Working from the center of the vehicle, insert a hinge pin through the holes in the front half of the windshield frame and the holes in the windshield hinge bracket, as shown.
- Repeat this procedure to secure the front half of the windshield frame to the other windshield hinge bracket.



20

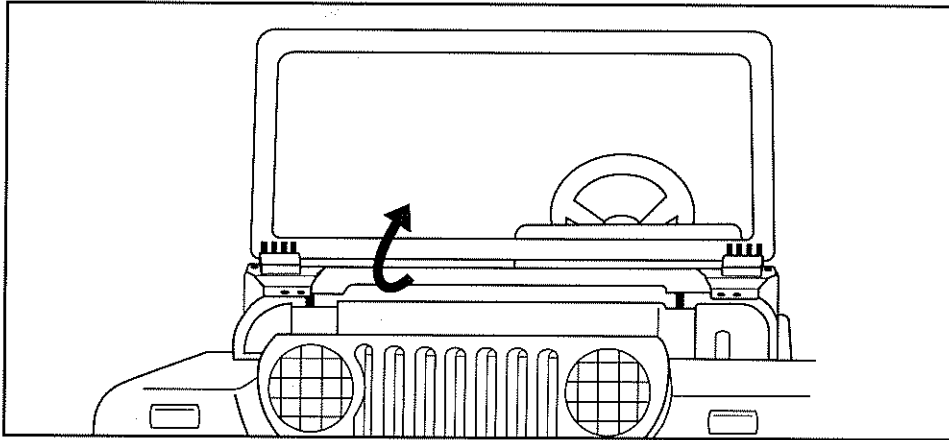


#8 x 1¹/₄" Screw – 10
Shown Actual Size

- Fit the back half of the windshield frame onto the front half of the windshield frame. Make sure the slots at the bottom of the two windshield frame halves are aligned.
- Insert 10 #8 x 1¹/₄" screws into the back half of the windshield frame.
- Tighten the screws with a Phillips screwdriver. Do not over-tighten.

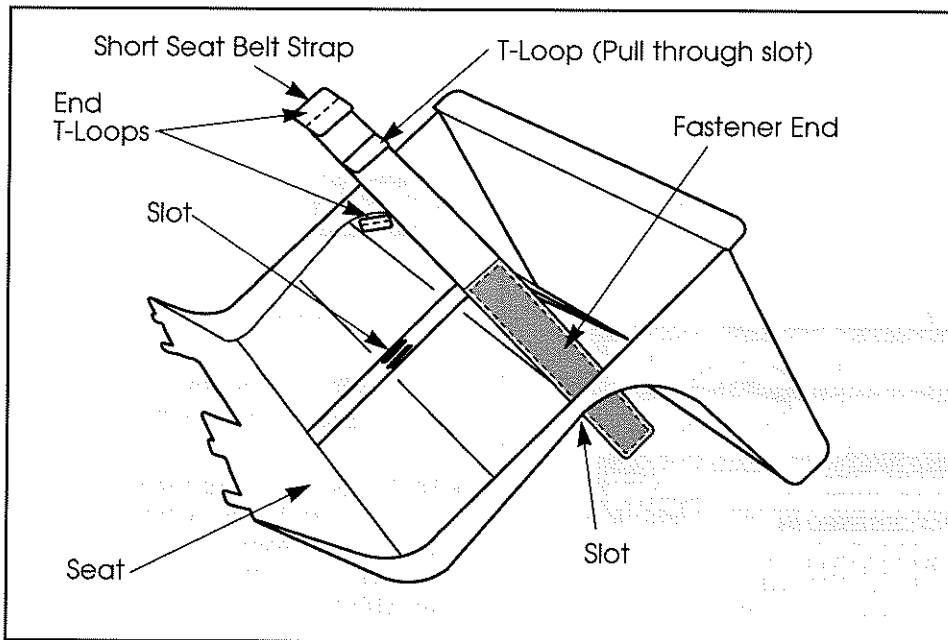
Helpful Hint: Squeeze the two windshield halves together while tightening the screws.

Vehicle Assembly



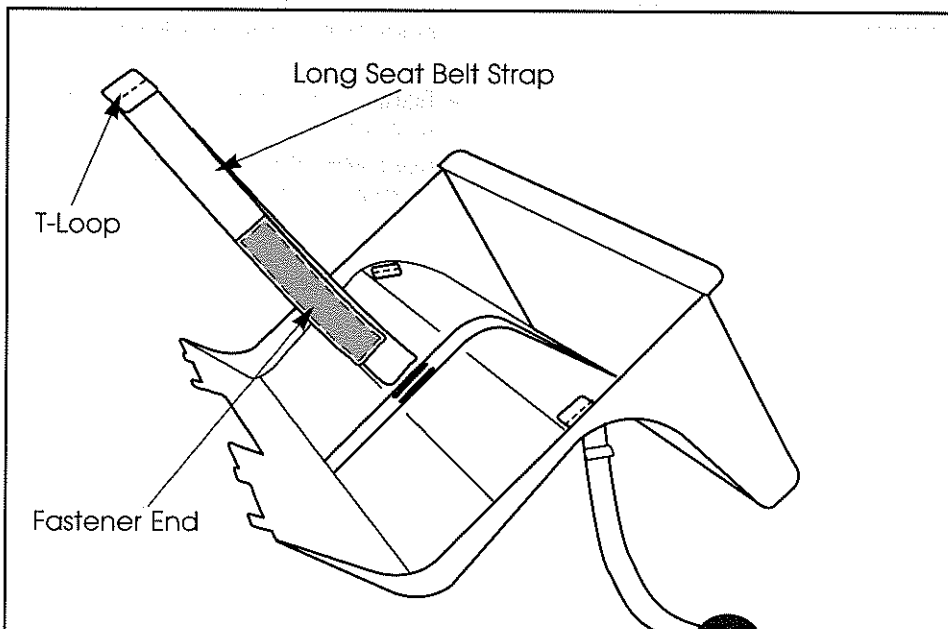
21

- Lift the assembled windshield to the raised position.



22

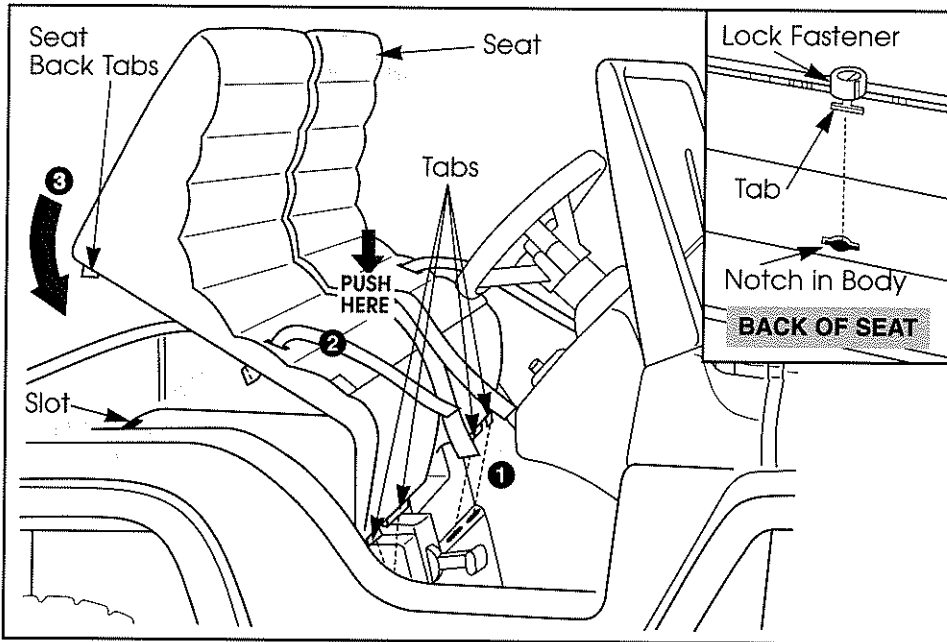
- Turn the seat upside down.
- Insert the fastener end of a short seat belt strap through the slot near the outer edge of the seat. Make sure the side of the seat belt with the fastener faces the outer edge of the seat.
- Pull the short seat belt strap completely through the slot until the last T-loop at the opposite end of the belt catches against the slot. You will pull one T-loop through the slot.
- Repeat this procedure to assemble the other short seat belt strap.



23

- Insert each fastener end of the long seat belt strap through a slot in the center of the seat. Make sure the fasteners face the outer edge of the seat.
- Pull each side of the long seat belt strap evenly through the slots. Make sure to pull each T-loop through a slot.
- Turn the seat upright.

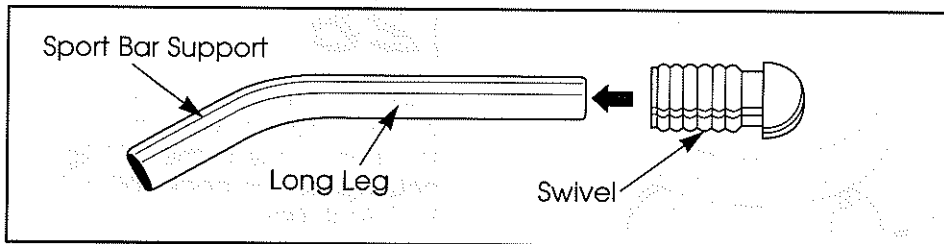
Vehicle Assembly



24

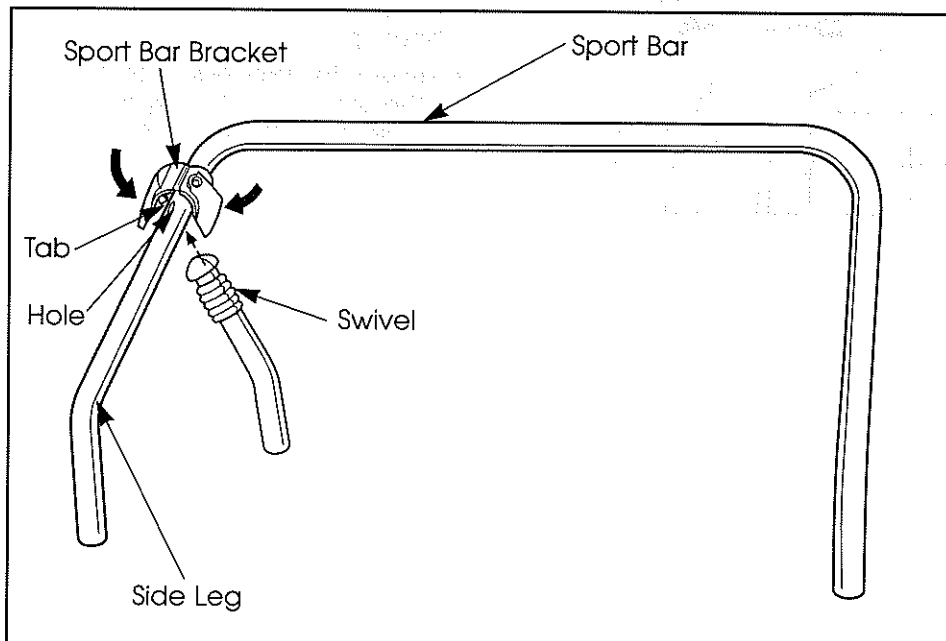
- With the seat at an angle, insert the tabs on the front edge of the seat into the slots in the foot-well wall ①.
- Push down firmly on the edge of the seat above each tab to snap the tabs into the slots ②.
- Rotate the back of the seat down ③ to snap the seat back tabs into the slots in the vehicle body. Push down firmly on the seat back.

Important Note: Make sure that the tab on the lock fastener is aligned with the notch in the vehicle body.



25

- Using safety scissors, remove the sport bar brackets and sport bar swivels from the plastic connector. Dispose of the plastic connector.
- Fit a swivel onto the long leg of a sport bar support.
- Press the sport bar support firmly into the swivel.

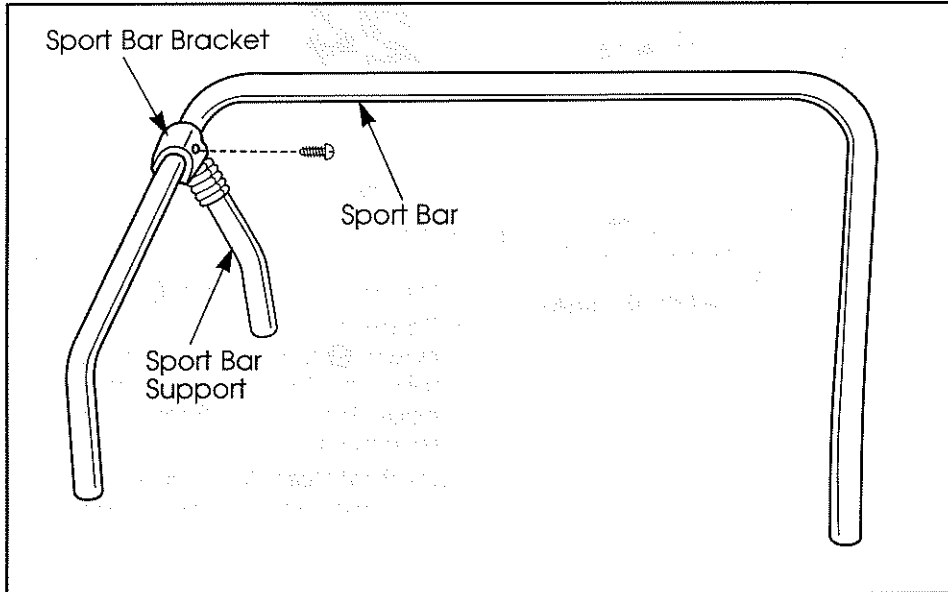


26

- Position the sport bar upright.
- Position a sport bar bracket above one of the sport bar side legs, as shown.
- Insert the tab on the inside of a sport bar bracket into the hole in the sport bar side leg.
- Fit the ball on the end of a swivel against the end of the sport bar bracket.
- Fold the sport bar bracket over the sport bar to close it around the sport bar and swivel ball.

Vehicle Assembly

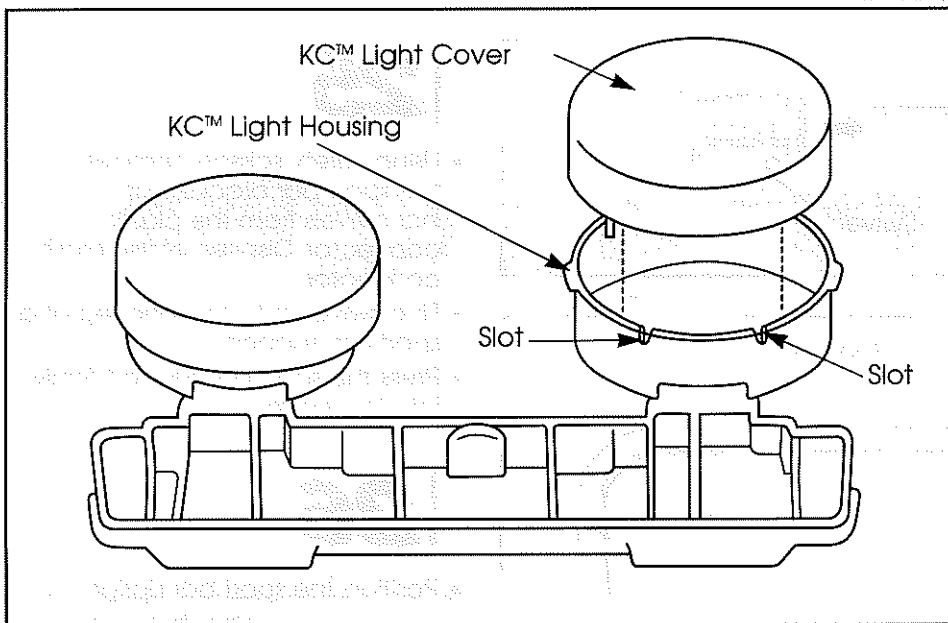
27



#6 x 1 1/2" Screw - 2
Shown Actual Size

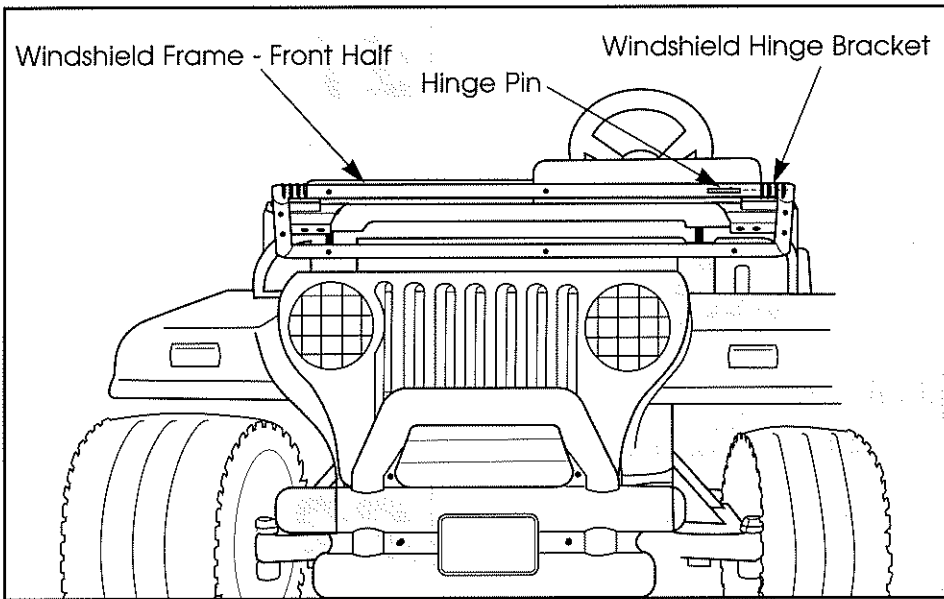
- Insert a #6 x 1 1/2" screw into the sport bar bracket as shown.
- Tighten the screw with a Phillips screwdriver. Do not over-tighten.
- Repeat steps 25 - 27 to attach the other sport bar support to the other sport bar side leg.

28



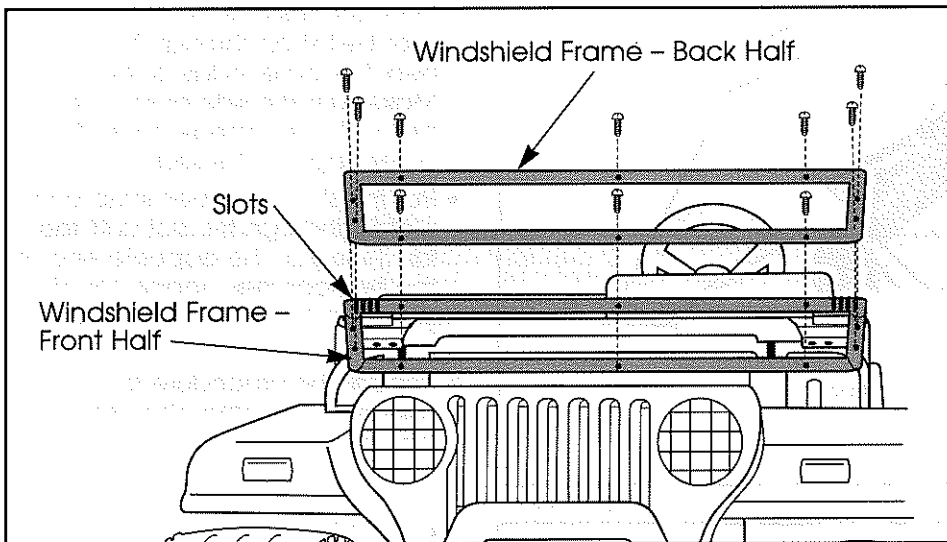
- Align the four tabs on the inside of a KC™ light cover with the four slots in one of the KC™ light housings on the back half of the KC™ light rack.
- Push firmly on the KC™ light cover to snap it to the KC™ light housing.
- Repeat this procedure on the other side of the KC™ light rack to assemble the other KC™ light.

Vehicle Assembly

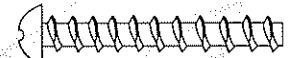


19

- Lay the front half of the windshield frame on the hood.
- Working from the center of the vehicle, insert a hinge pin through the holes in the front half of the windshield frame and the holes in the windshield hinge bracket, as shown.
- Repeat this procedure to secure the front half of the windshield frame to the other windshield hinge bracket.



20

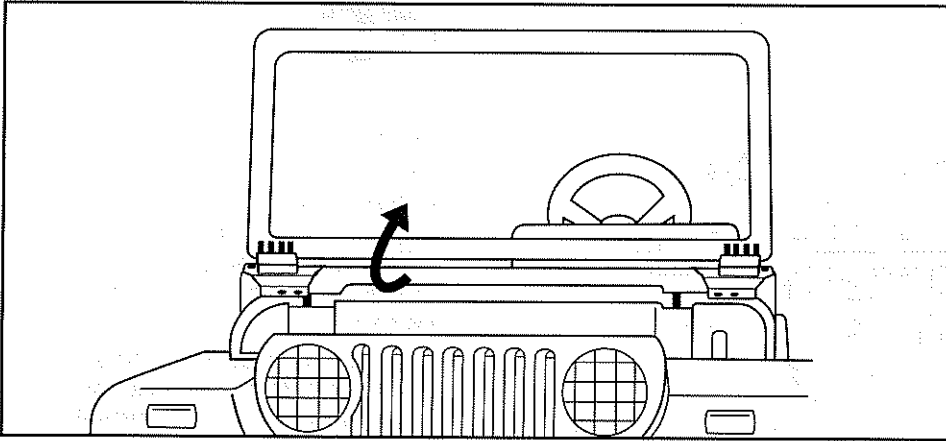


#8 x 1¹/₄" Screw – 10
Shown Actual Size

- Fit the back half of the windshield frame onto the front half of the windshield frame. Make sure the slots at the bottom of the two windshield frame halves are aligned.
- Insert 10 #8 x 1¹/₄" screws into the back half of the windshield frame.
- Tighten the screws with a Phillips screwdriver. Do not over-tighten.

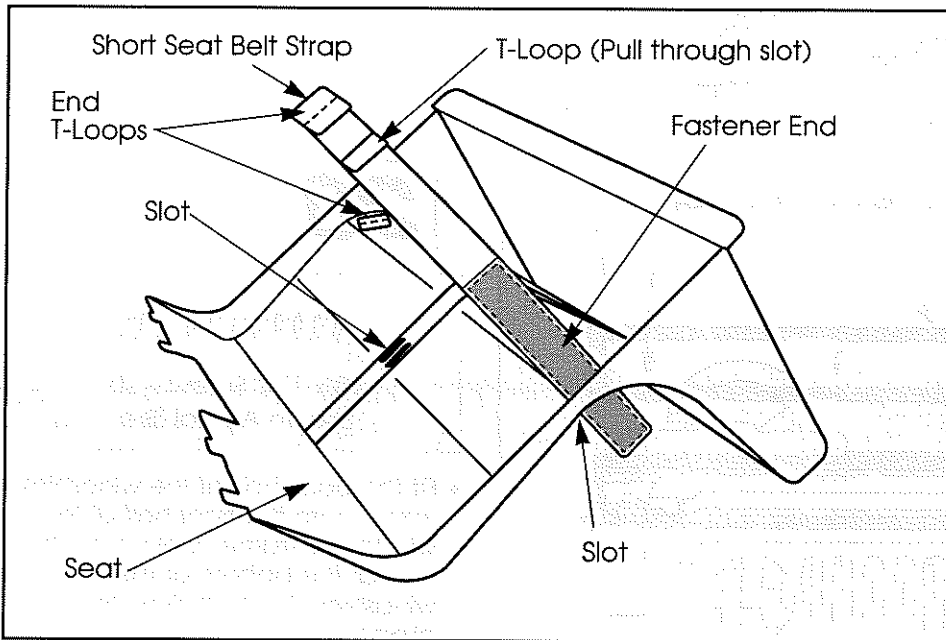
Helpful Hint: Squeeze the two windshield halves together while tightening the screws.

Vehicle Assembly



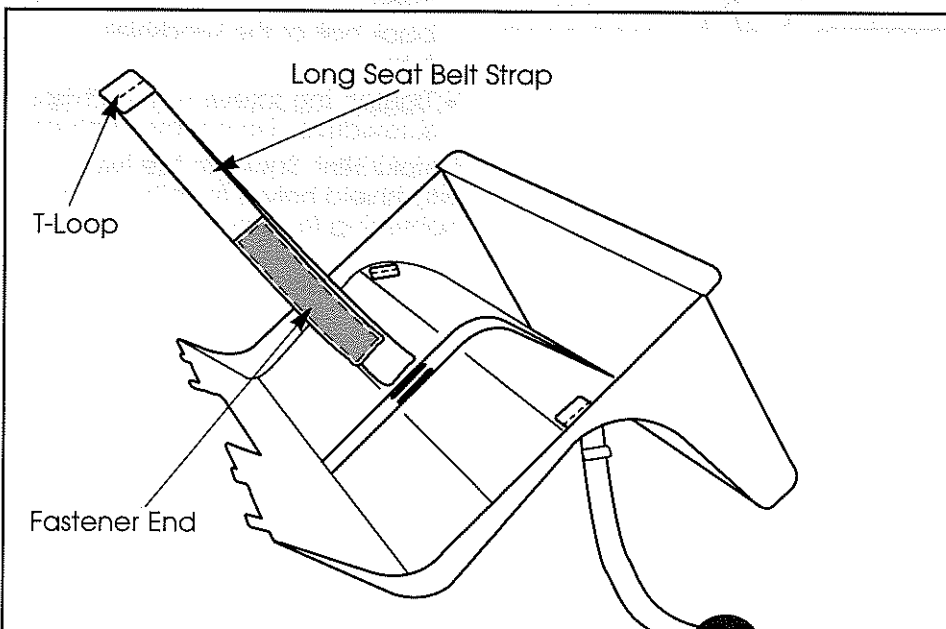
21

- Lift the assembled windshield to the raised position.



22

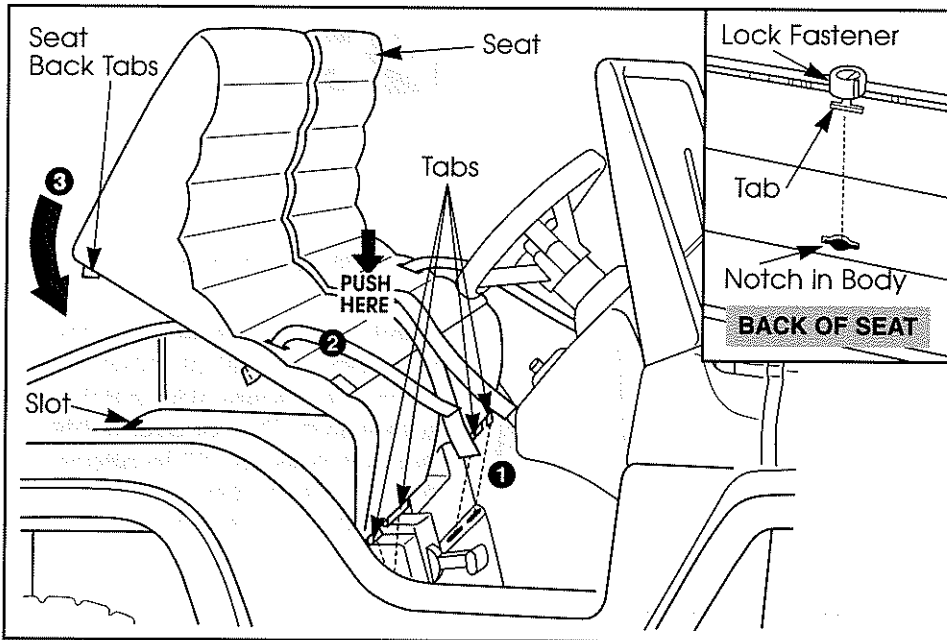
- Turn the seat upside down.
- Insert the fastener end of a short seat belt strap through the slot near the outer edge of the seat. Make sure the side of the seat belt with the fastener faces the outer edge of the seat.
- Pull the short seat belt strap completely through the slot until the last T-loop at the opposite end of the belt catches against the slot. You will pull one T-loop through the slot.
- Repeat this procedure to assemble the other short seat belt strap.



23

- Insert each fastener end of the long seat belt strap through a slot in the center of the seat. Make sure the fasteners face the outer edge of the seat.
- Pull each side of the long seat belt strap evenly through the slots. Make sure to pull each T-loop through a slot.
- Turn the seat upright.

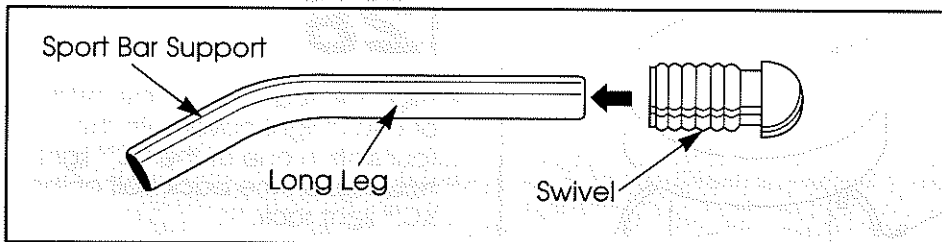
Vehicle Assembly



24

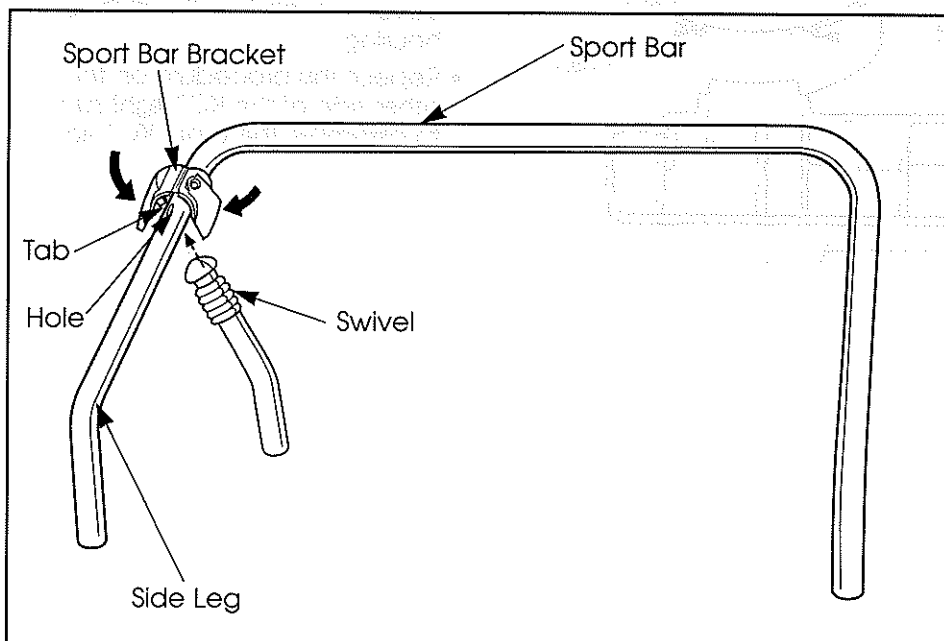
- With the seat at an angle, insert the tabs on the front edge of the seat into the slots in the foot-well wall **1**.
- Push down firmly on the edge of the seat above each tab to snap the tabs into the slots **2**.
- Rotate the back of the seat down **3** to snap the seat back tabs into the slots in the vehicle body. Push down firmly on the seat back.

Important Note: Make sure that the tab on the lock fastener is aligned with the notch in the vehicle body.



25

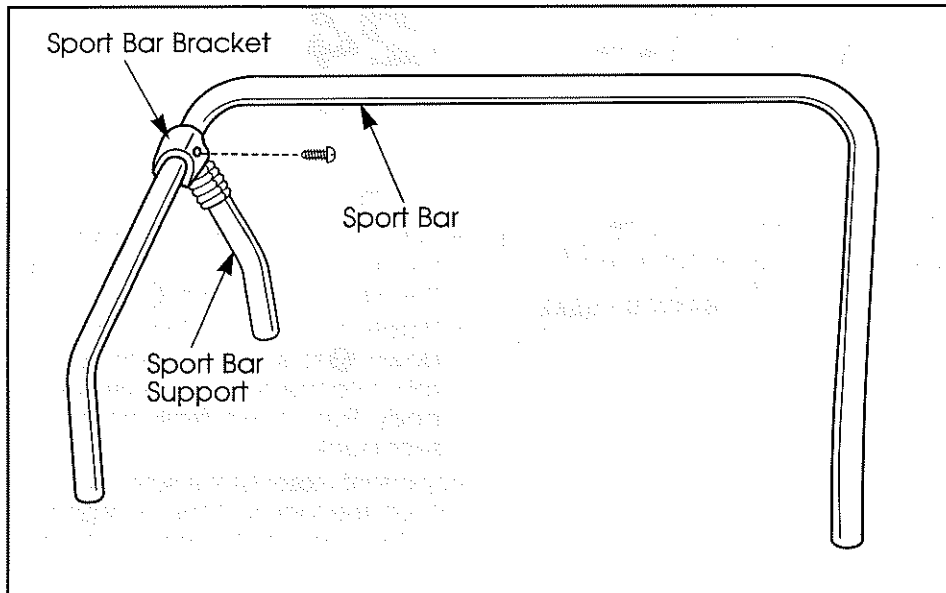
- Using safety scissors, remove the sport bar brackets and sport bar swivels from the plastic connector. Dispose of the plastic connector.
- Fit a swivel onto the long leg of a sport bar support.
- Press the sport bar support firmly into the swivel.



26

- Position the sport bar upright.
- Position a sport bar bracket above one of the sport bar side legs, as shown.
- Insert the tab on the inside of a sport bar bracket into the hole in the sport bar side leg.
- Fit the ball on the end of a swivel against the end of the sport bar bracket.
- Fold the sport bar bracket over the sport bar to close it around the sport bar and swivel ball.

Vehicle Assembly

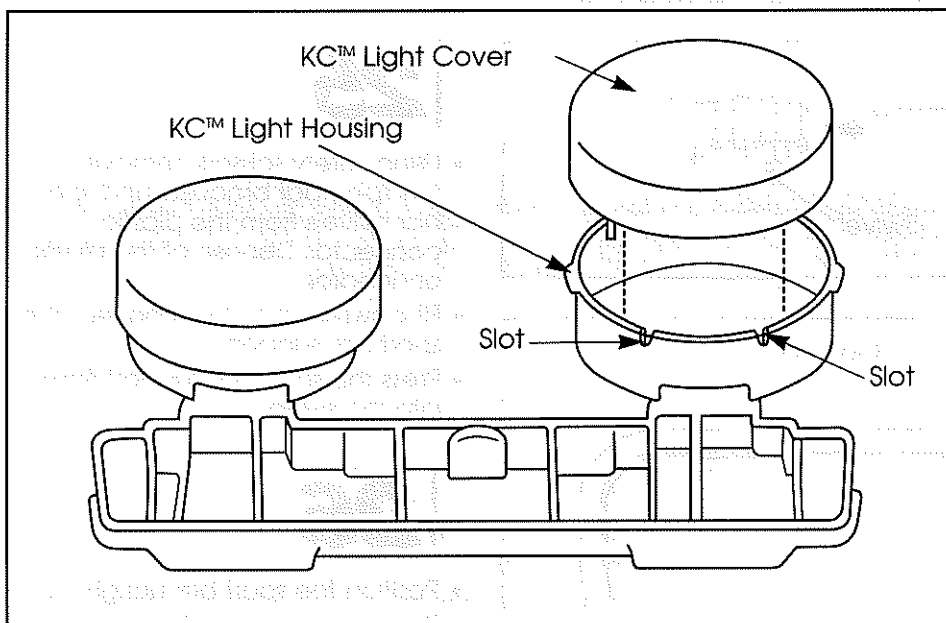


27



#6 x 1 1/2" Screw - 2
Shown Actual Size

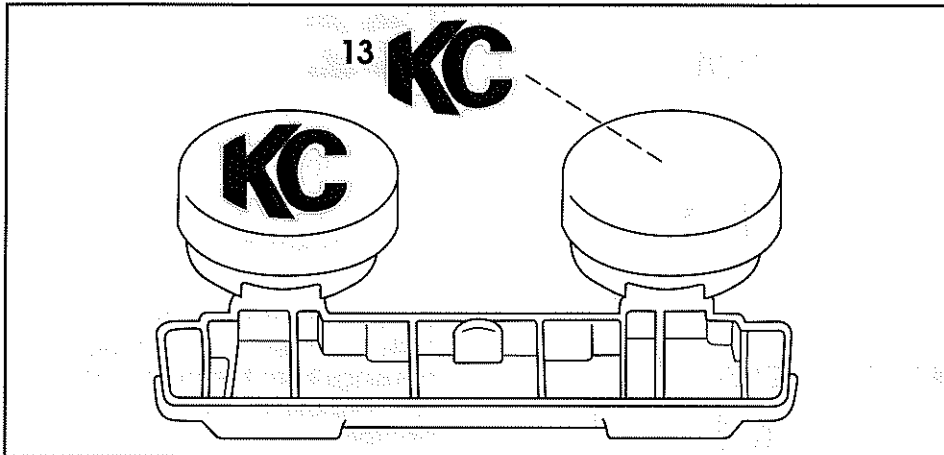
- Insert a #6 x 1 1/2" screw into the sport bar bracket as shown.
- Tighten the screw with a Phillips screwdriver. Do not over-tighten.
- Repeat steps 25 - 27 to attach the other sport bar support to the other sport bar side leg.



28

- Align the four tabs on the inside of a KC™ light cover with the four slots in one of the KC™ light housings on the back half of the KC™ light rack.
- Push firmly on the KC™ light cover to snap it to the KC™ light housing.
- Repeat this procedure on the other side of the KC™ light rack to assemble the other KC™ light.

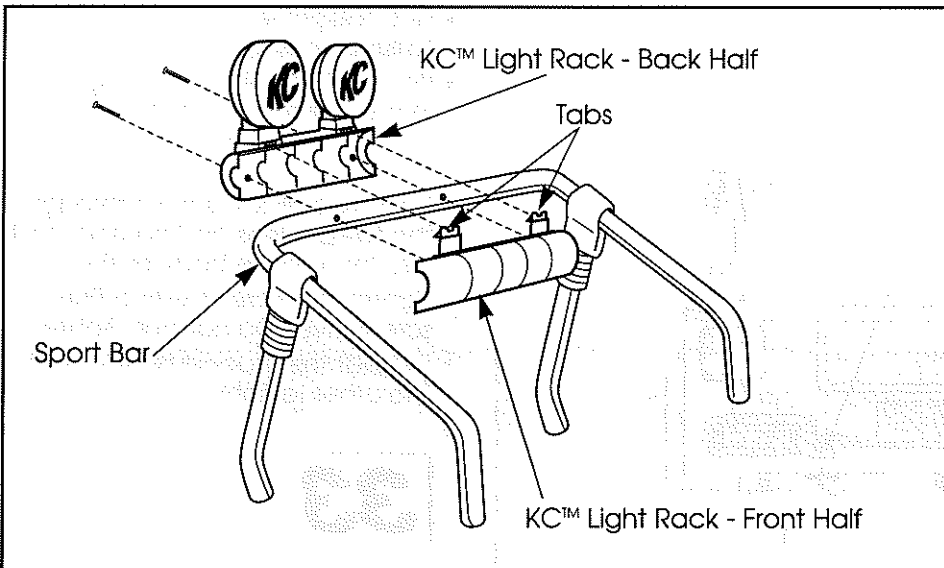
Vehicle Assembly



29

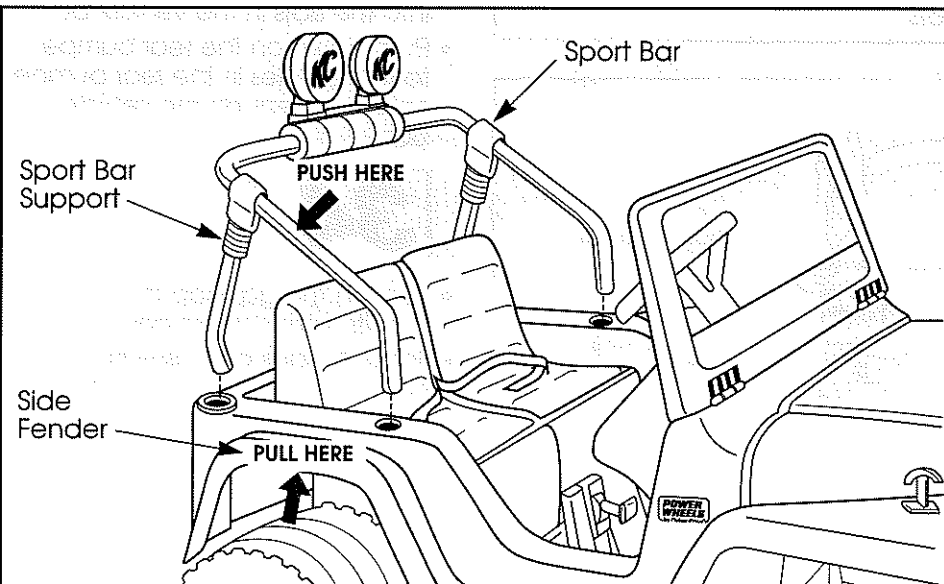
- Apply labels to the KC™ light covers as shown.
- Make sure the areas where the labels will be applied are clean and dry. For best adhesion, avoid applying the labels more than once.

30



#6 x 1 1/2" Screw – 2
Shown Actual Size

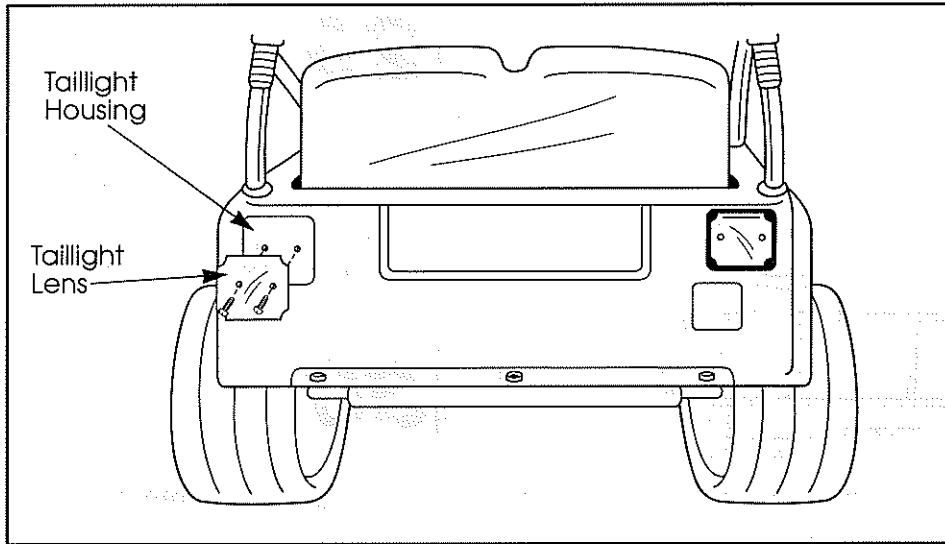
- Position the sport bar with the ends on a flat surface, as shown.
- Fit and hold the front and back halves of the KC™ light rack against the sport bar. Make sure the two KC™ light rack halves are aligned, and that the screw holes in the KC™ light rack are aligned with the screw holes in the sport bar.
- Snap the tabs on the front half of the KC™ light rack into the slots below the KC™ lights on the rear half of the KC™ light rack.
- Insert two #6 x 1 1/2" screws through the holes in the back of the KC™ light rack, through the sport bar, and into the front half of the KC™ light rack.
- Tighten the screws with a Phillips screwdriver. Do not over-tighten.



31

- Place the sport bar and sport bar support legs into the holes in the vehicle body.
- Push down firmly on a sport bar side leg while pulling up on the side fender to fit the sport bar into the vehicle body.
- Repeat this procedure on the other side of the sport bar.

Vehicle Assembly

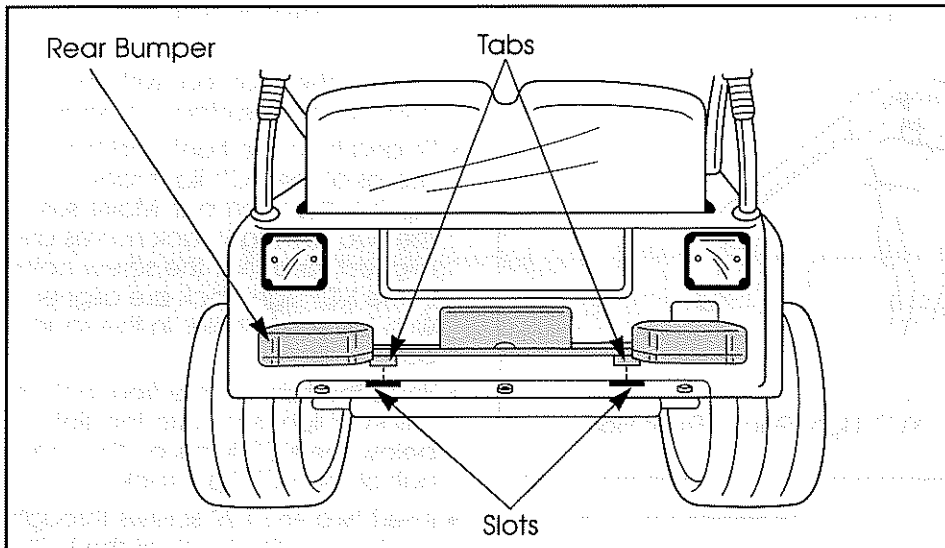


32



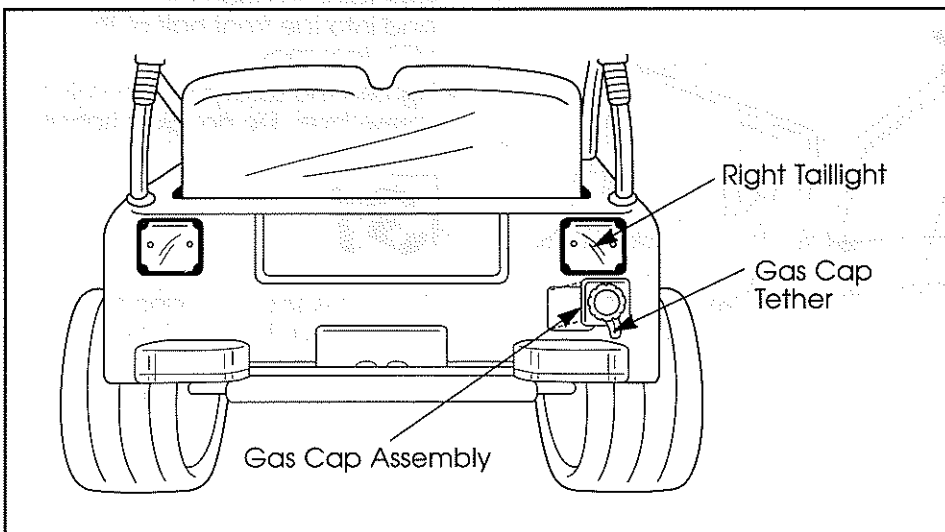
#8 x 1" Screw – 4
Shown Actual Size

- Using safety scissors, remove the taillight lenses and the taillight housings from the plastic connectors. Dispose of the plastic connectors.
- Face the rear of the vehicle.
- Fit a taillight lens inside a taillight housing.
- Position the taillight housing with lens against the vehicle body with the screw holes aligned, as shown.
- Insert two #8 x 1" screws through the taillight lens and housing and into the vehicle body as shown.
- Tighten the screws with a Phillips screwdriver. Do not over-tighten.
- Repeat this procedure to attach the other taillight.



33

- Fit the tabs on the rear bumper into the slots in the vehicle body.
- Push down on the rear bumper to fit the holes in the rear bumper onto the pegs on the vehicle body.



34

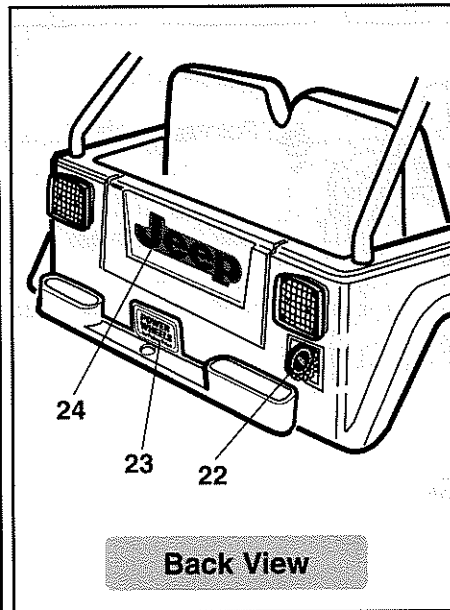
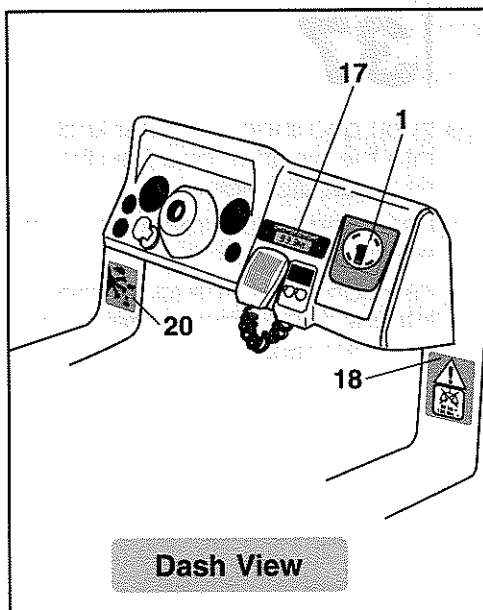
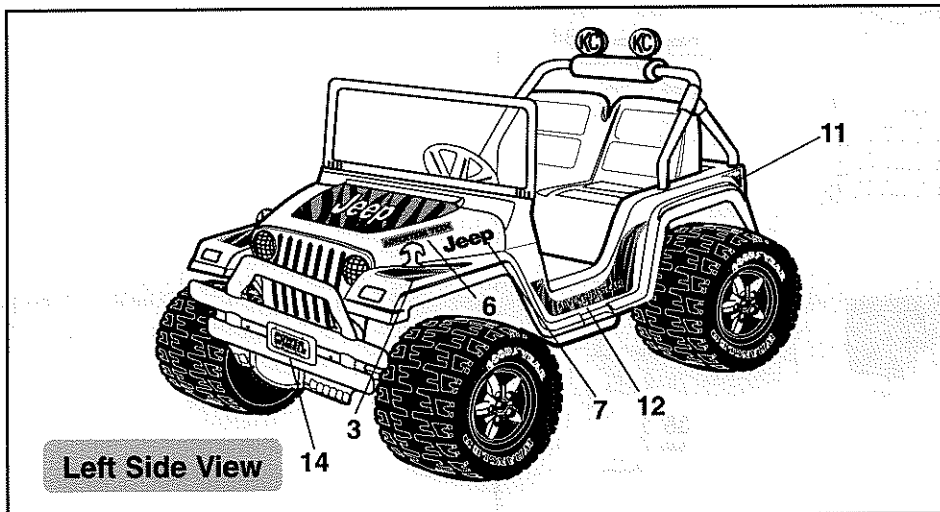
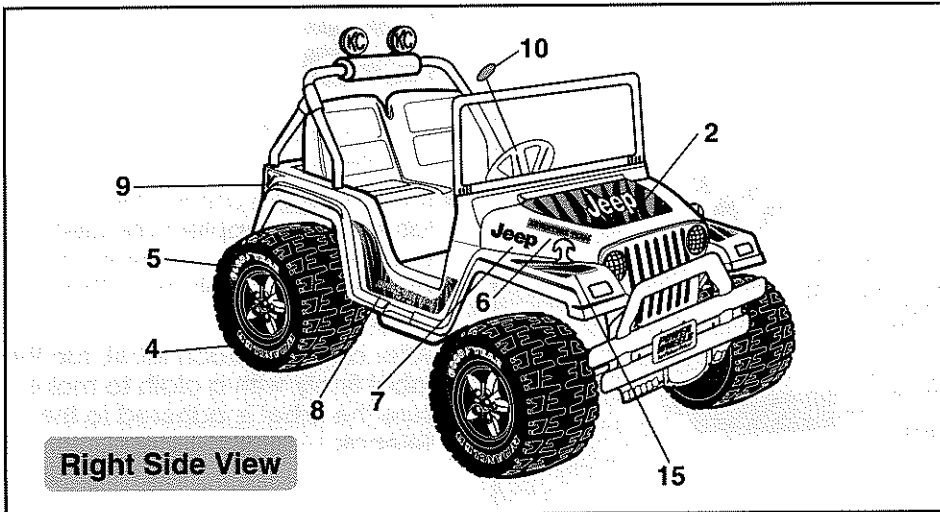
- Position the gas cap assembly so that its tether points down.
- Snap the gas cap assembly into the opening under the right taillight.

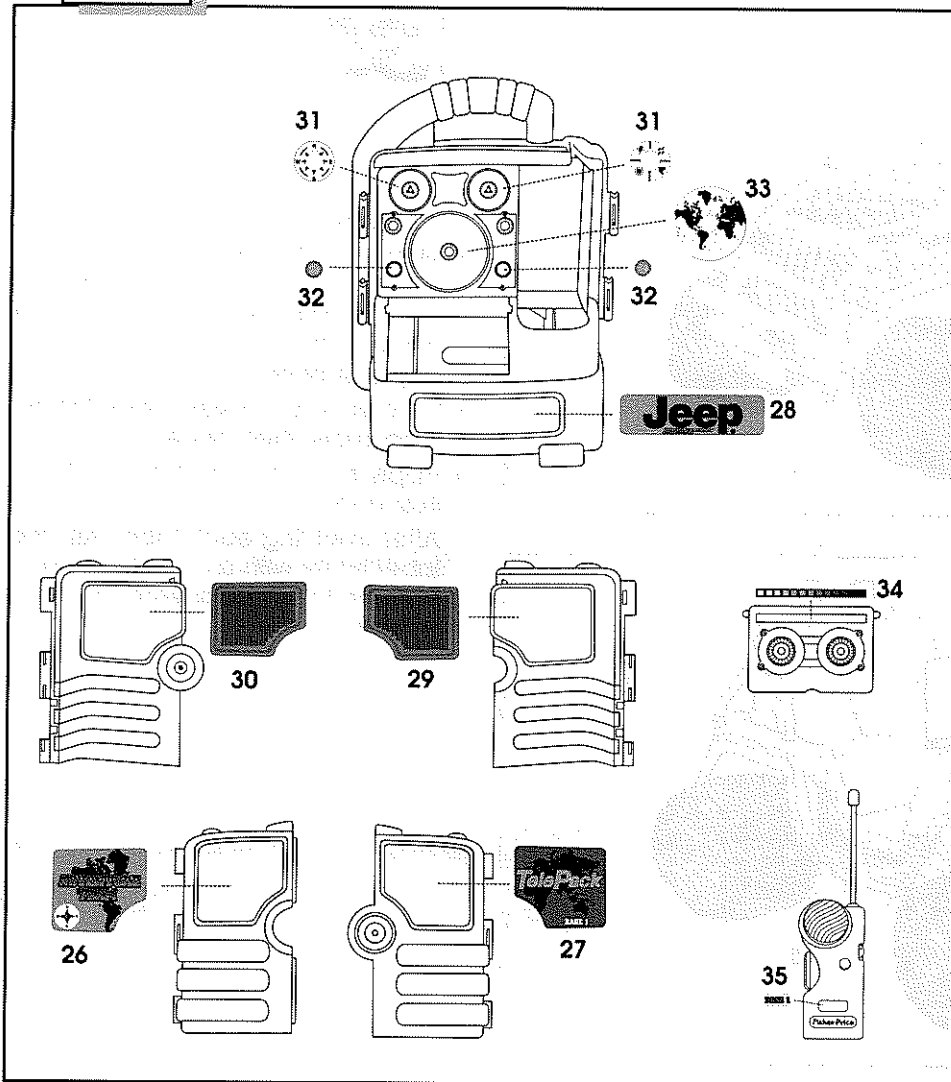
Vehicle Assembly

35

Proper label application will help to keep the labels looking their best!

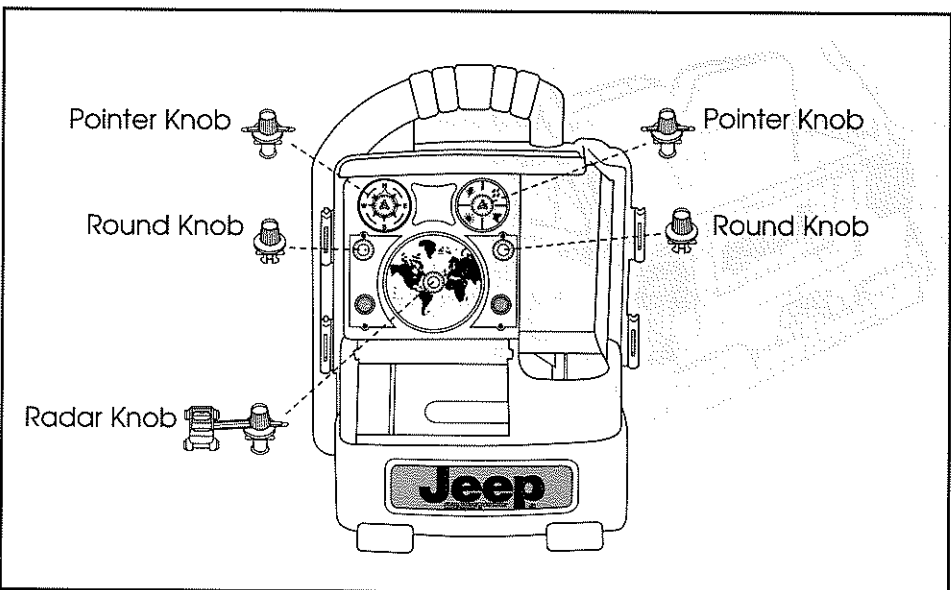
- Wash your hands before applying the labels.
- Make sure the areas where the labels will be applied are clean and dry. Wipe your vehicle with a clean, soft, **dry** cloth to remove any dust or oils.
- For best results, avoid applying a label more than once.
- Apply the labels as shown in the illustrations.
- After applying each label, rub the label firmly with a cloth to make sure the label is adhered to your vehicle.





36

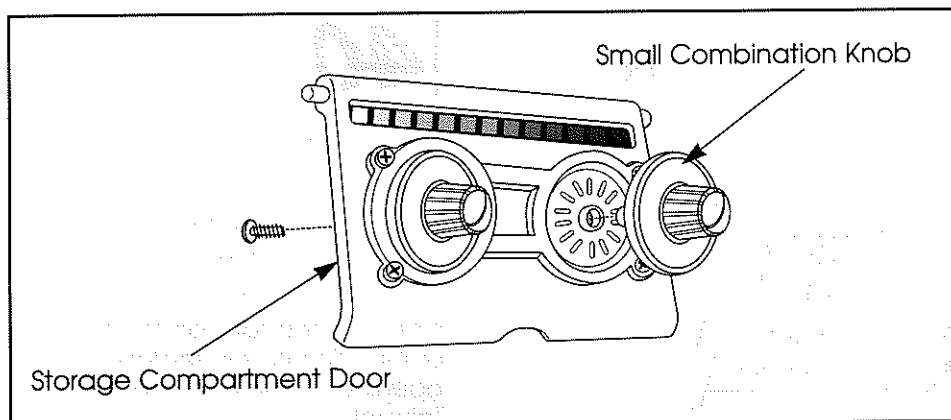
- Apply labels to the front half of the Telepak, as shown.
- Make sure the areas where the labels will be applied are clean and dry. For best adhesion, avoid applying the labels more than once.
- After applying each label, rub the label firmly with a cloth to make sure the label is adhered to the Telepak.



37

- Insert and snap a pointer knob into the weather and the direction indicator holes.
- Insert and snap a round knob into each tuning knob hole.
- Insert and snap the radar knob into the hole in the center of the radar screen.

Telepak™ Assembly

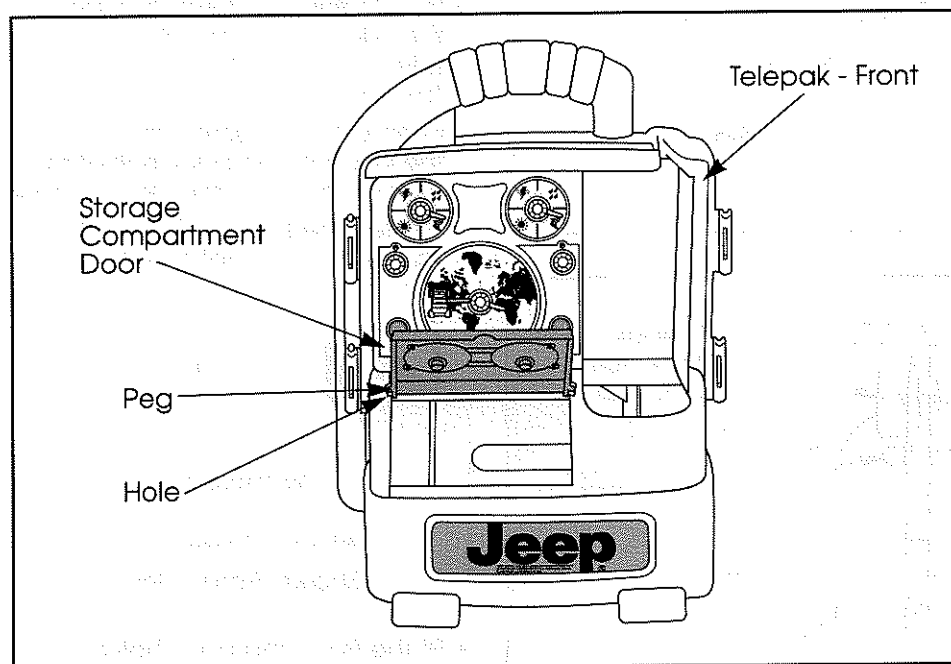


38



#6 x $\frac{3}{8}$ " Screw - 2
Shown Actual Size

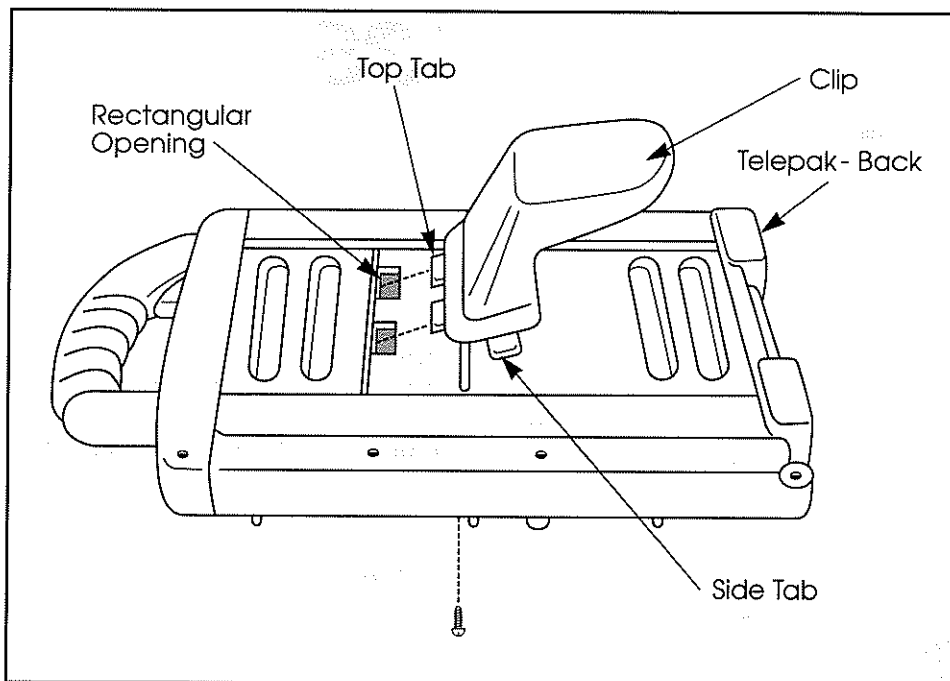
- Fit the peg on each small combination knob into the holes in the front of the storage compartment door.
- Insert a #6 x $\frac{3}{8}$ " screw through the back of the storage compartment door and into each small combination knob, as shown.
- Tighten the screws with a Phillips screwdriver. Do not over-tighten.



39

- Position the storage compartment door at an angle and insert the peg on one side of the storage compartment door into the hole near the storage compartment in the front half of the Telepak, as shown.
- Bend the storage compartment door slightly and snap the peg on the other side into the other hole on the front half of the Telepak.

Telepak™ Assembly

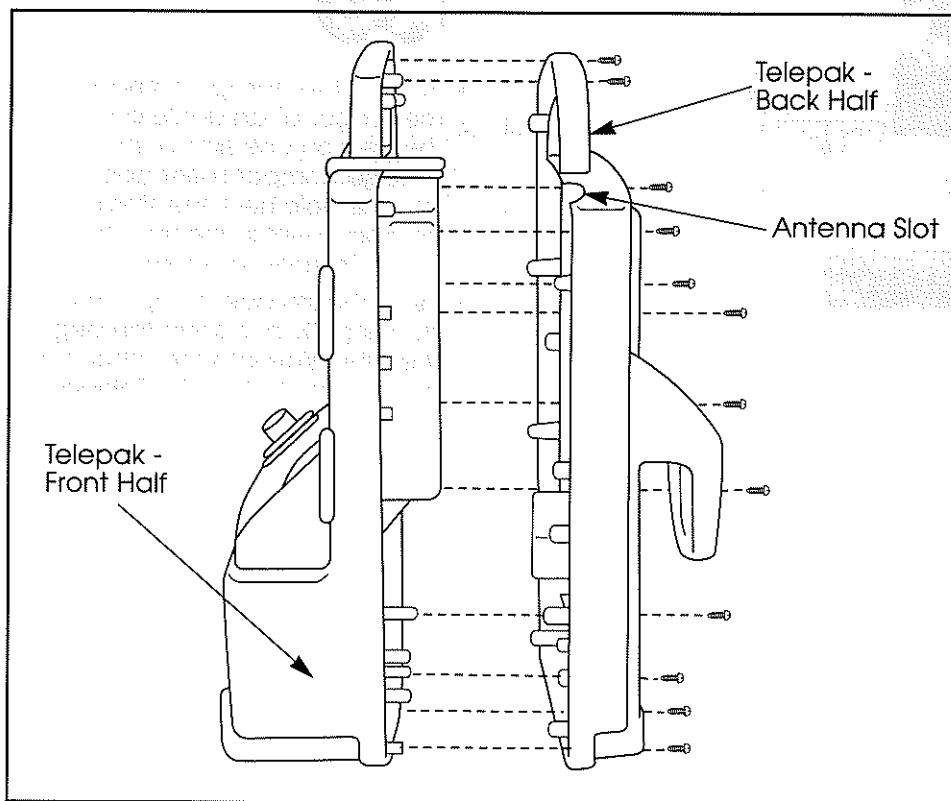


40



#6 x 3/4" Screw - 1
Shown Actual Size

- Insert the top tabs on the back of the clip into the rectangular openings in the back half of the Telepak.
- Rotate the clip down and snap the side tabs on the clip into the side slots on the back half of the Telepak.
- Insert a #6 x 3/4" screw through the inside of the back half of the Telepak and into the clip, as shown.
- Tighten the screw with a Phillips screwdriver. Do not over-tighten.



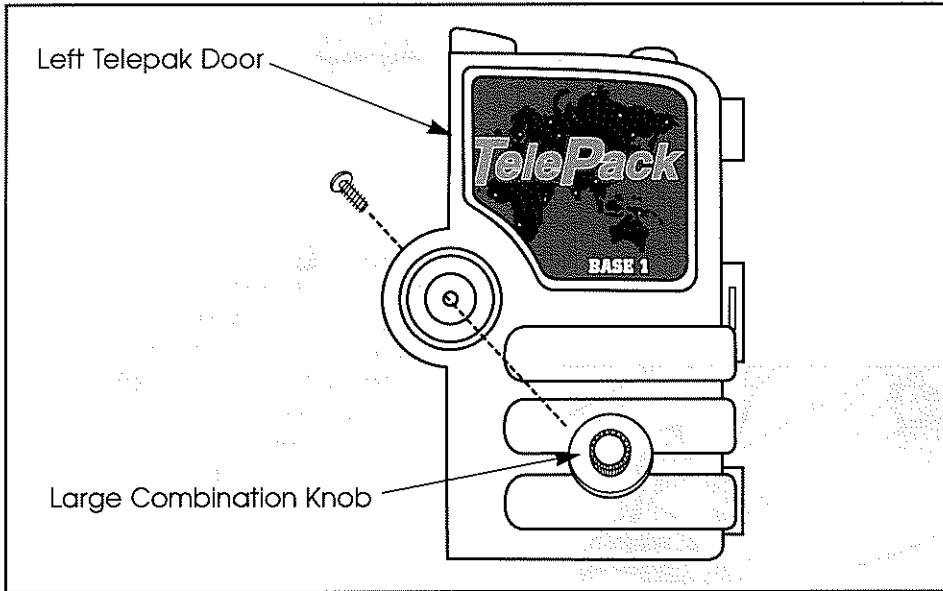
41



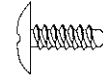
#6 x 3/4" Screw - 12
Shown Actual Size

- Fit the front and back halves of the Telepak together, aligning the two Telepak halves at the antenna slot first.
- Insert 12 #6 x 3/4" screws into the back half of the Telepak, as shown.
- Tighten the screws with a Phillips screwdriver. Do not over-tighten.

Telepak™ Assembly



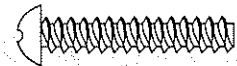
42



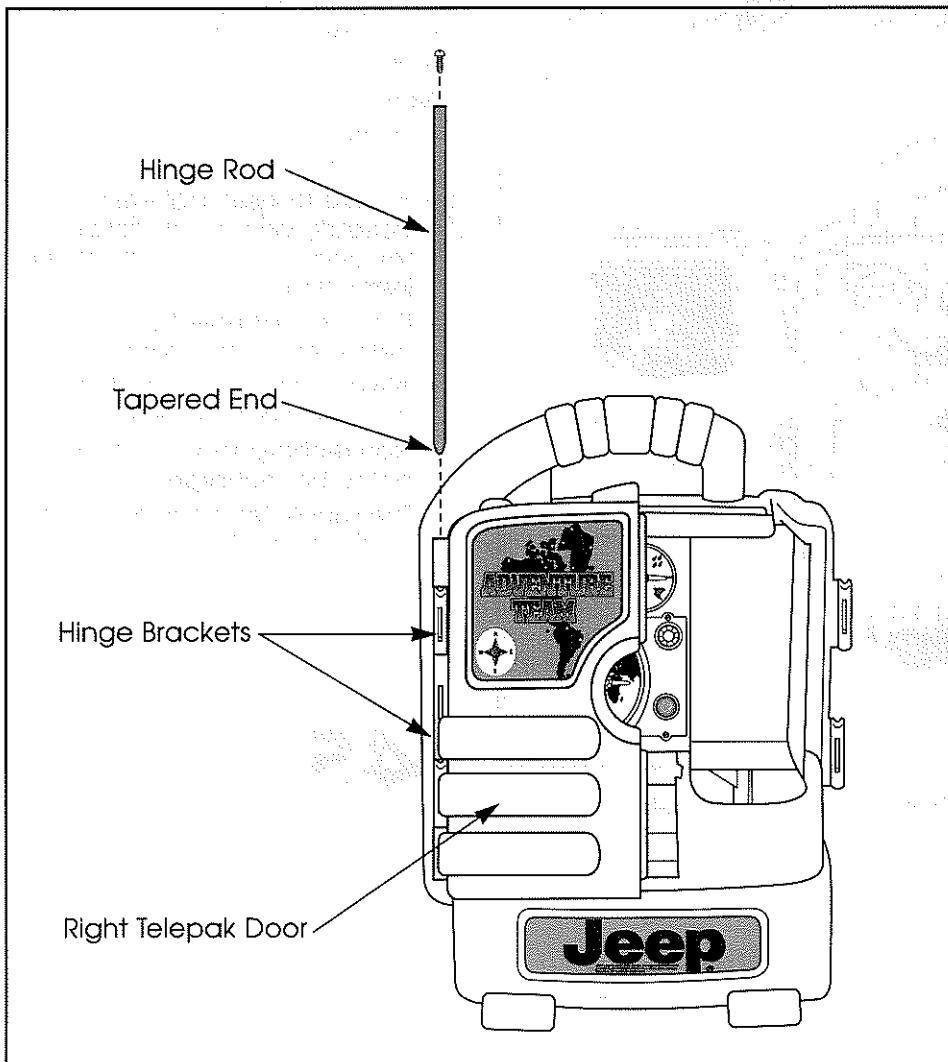
#6 x $\frac{3}{8}$ " Screw - 1
Shown Actual Size

- Fit the peg on the back of the large combination knob into the hole in the front of the left Telepak door.
- Insert a #6 x $\frac{3}{8}$ " screw through the back of the left Telepak door and into the large combination knob, as shown.
- Tighten the screw with a Phillips screwdriver. Do not over-tighten.

43



#8 x $\frac{3}{4}$ " Screw - 2
Shown Actual Size

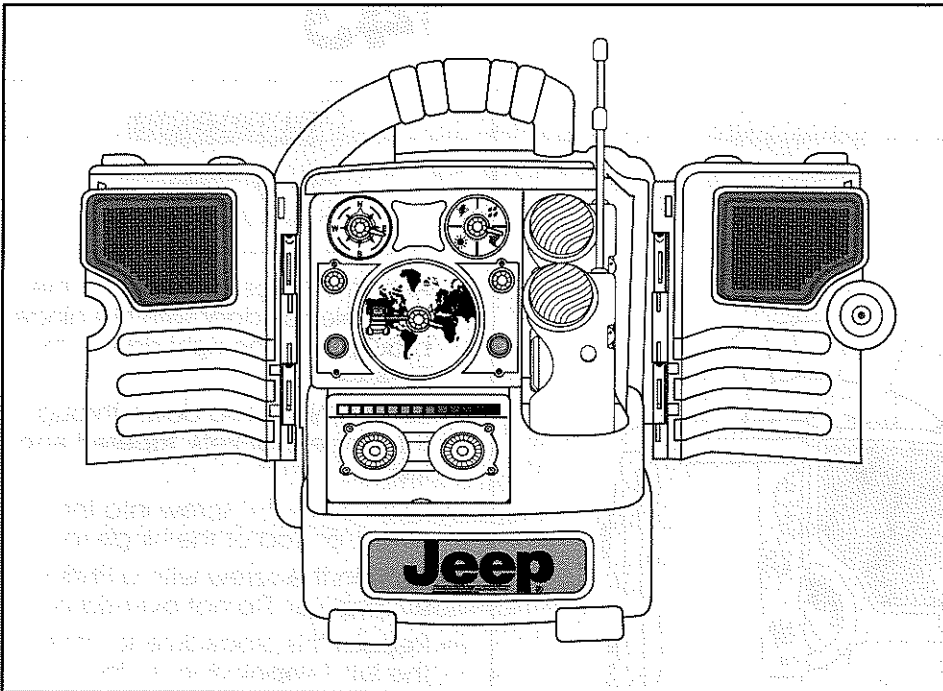
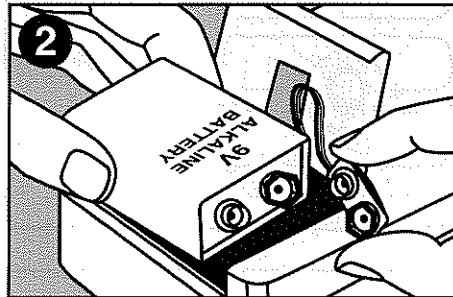
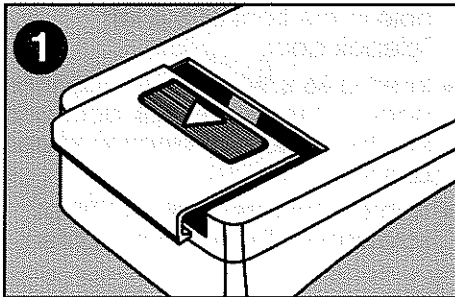


- Align the hinge brackets on the right Telepak door with the hinge brackets on the right side of the Telepak.
- Insert a hinge rod down through the hinge brackets, **tapered end first**.
- Insert a #8 x $\frac{3}{4}$ " screw into the hinge, on top of the hinge rod.
- Tighten the screw with a Phillips screwdriver. Do not over-tighten.
- Repeat this procedure to attach the left Telepak door to the Telepak.
- Use the clip on the back of the Telepak to hang it on the back of **Jeep® Adventure Team** for on-the-go fun, or use the carry handle to take the Telepak on field adventures!

Telepak™ Assembly



SHOWN ACTUAL SIZE



One-time assembly of the vehicle and Telepak is now complete.

IMPORTANT NOTES:

- Please carefully read the owner's information in this manual and teach your child about proper vehicle operation and rules for safe driving before allowing him to drive this vehicle.
- For safety reasons, your vehicle has been pre-assembled so that it will only operate at low speed. Make sure that your child can safely operate this vehicle at low speed before adjusting the vehicle to run at high speed. **To disconnect high speed lock-out, please see page 40.**

44

Walkie-Talkie Battery Installation

- Slide the battery compartment door in the direction of the arrow to open **1**. The door will remain attached to the unit.
- Snap a 9-volt alkaline battery to the contacts in the battery compartment **2**.
- Place the battery in the battery compartment, on top of the battery release ribbon. Tuck excess ribbon inside the battery compartment.
- Slide the battery compartment door closed.
- Repeat this procedure to install a 9 volt alkaline battery in the other walkie-talkie.

Note:

- Do not use rechargeable batteries.
- Be sure to insert batteries correctly and always follow the toy and battery manufacturers' instructions.
- Remove batteries from product before extended storage.
- Always remove old or dead batteries from the product.
- Non-rechargeable batteries are not to be recharged.
- The supply terminals are not to be short-circuited.

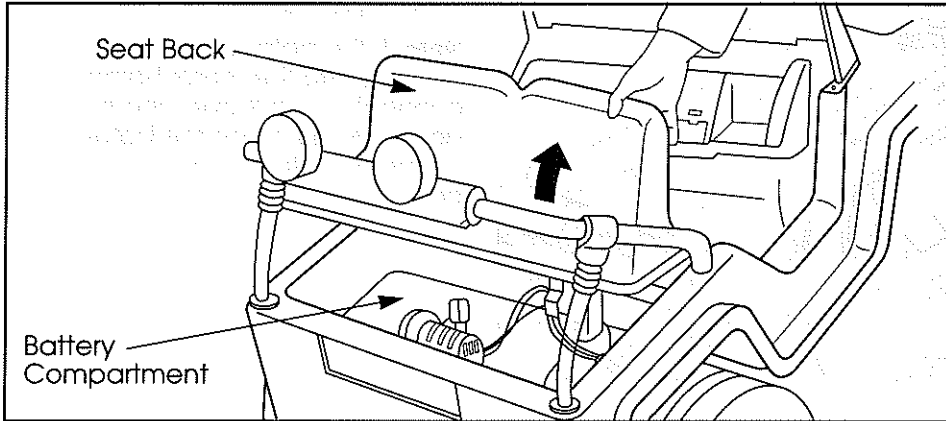
45

- You can carry one or both walkie-talkies in the Telepak, or keep one walkie-talkie in the walkie-talkie holder on the vehicle dash.

1

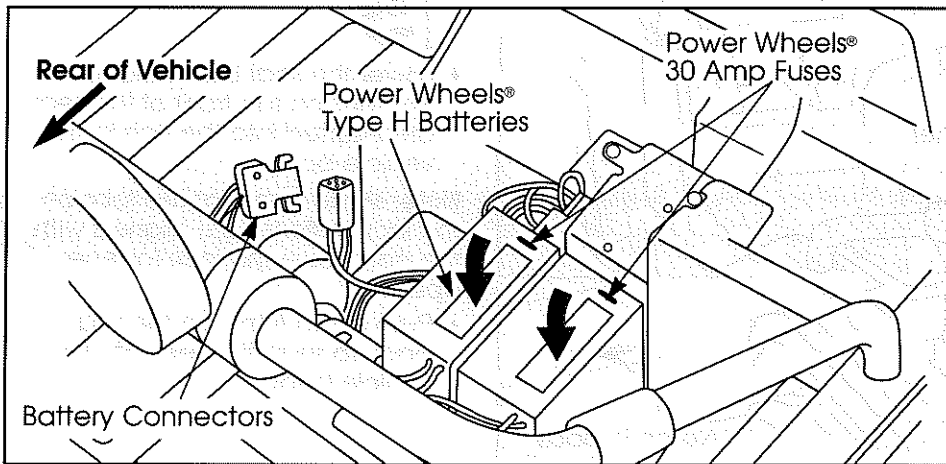
6 Volt Battery Installation

Important Note: Use only Power Wheels® Type H, 6 volt batteries with Power Wheels® 30 amp fuses installed. Use of any other batteries or fuses will damage your vehicle. Make sure that you charge the 6 volt batteries for at least 18 hours before operating your vehicle for the first time. After first-time use, charge the 6 volt batteries for at least 14 hours after each use. Never charge the 6 volt batteries longer than 30 hours. Failure to follow these instructions may damage your 6 volt batteries and will void your warranty.



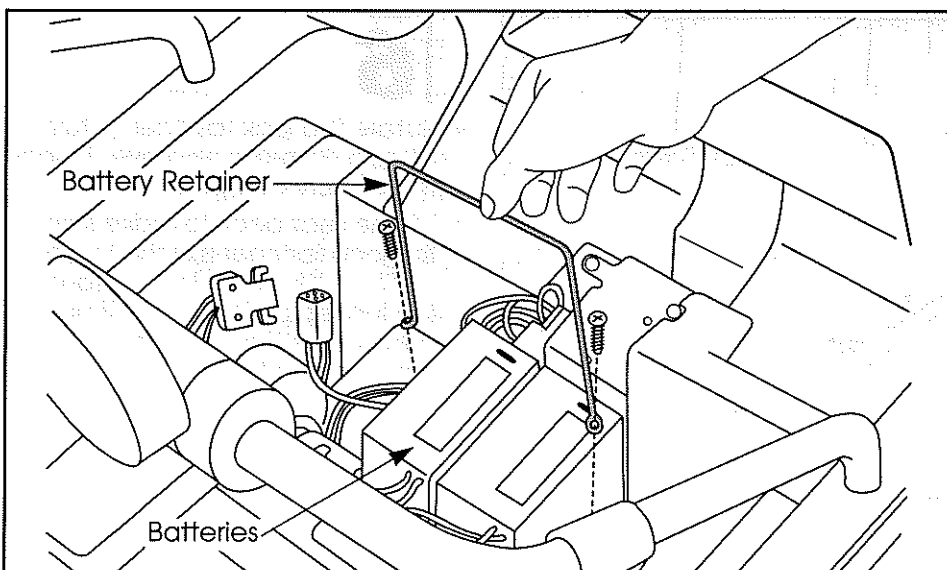
1

- Lift the seat back to access the battery compartment.



2

- Place both Power Wheels® Type H, 6 volt batteries upright in the battery compartment directly on top of the molded-in battery information. **Make sure the battery connectors extend toward the rear of the vehicle.**
- Make sure a Power Wheels® 30 amp fuse in good condition is installed in each of the 6 volt batteries and that the battery connectors are snapped together.



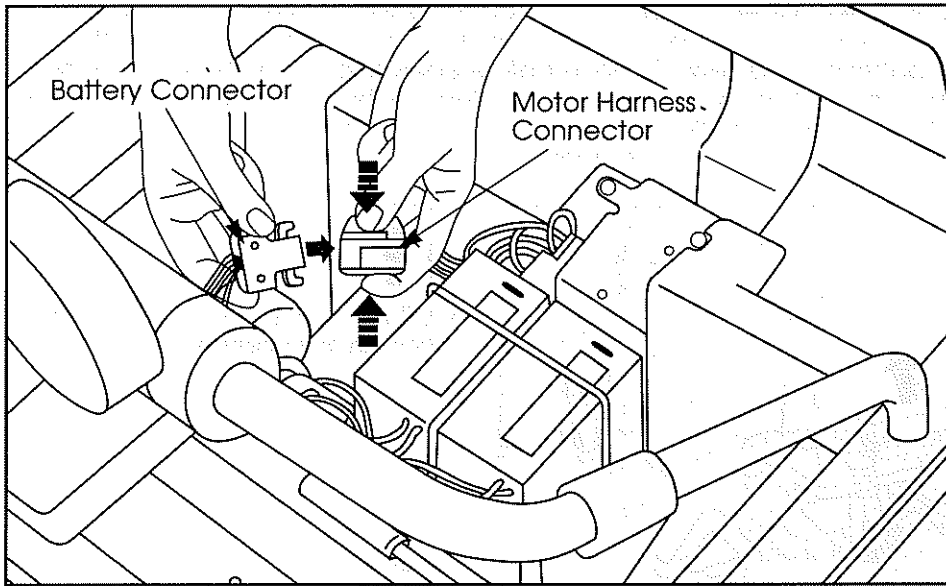
3



#8 x $\frac{3}{4}$ " Screw – 2
Shown Actual Size

- Position the battery retainer over the 6 volt batteries with the ends of the battery retainer aligned with the screw holes in the bottom of the battery compartment.
- Insert two #8 x $\frac{3}{4}$ " screws through the battery retainer and into the battery compartment.
- Tighten the screws with a Phillips screwdriver. Do not over-tighten.

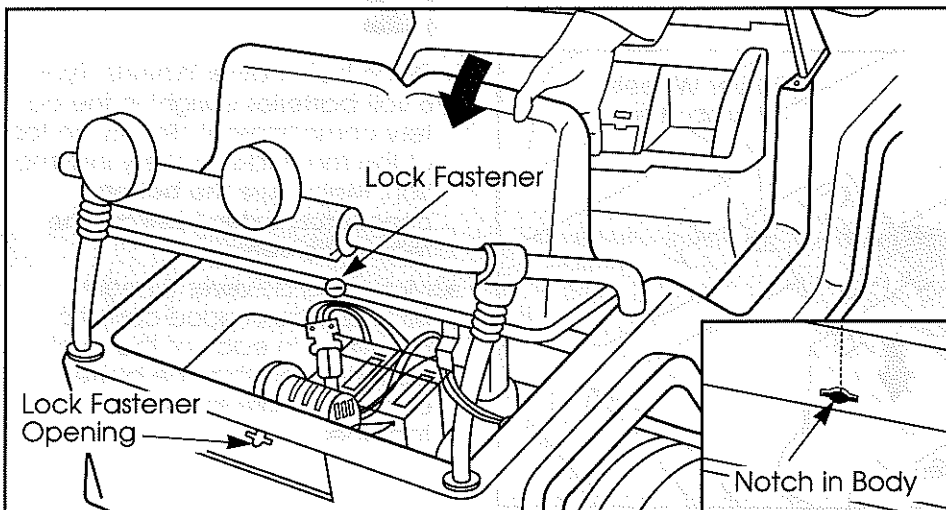
6 Volt Battery Installation



4

- Squeeze the tabs on each side of the motor harness connector.
- Plug the battery connector into the motor harness connector.

Note: If the battery connector will not plug into the motor harness connector, turn it over and try again! Do not force the battery connector into the motor harness connector.

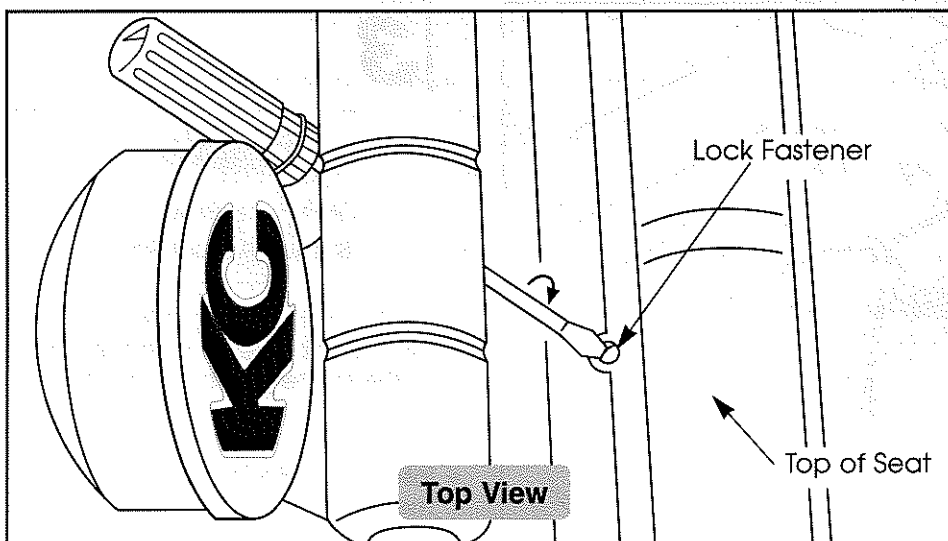


5

- Lower the seat back. Make sure the tabs on the front of the seat are inserted into the slots in the vehicle body.

Note: Make sure that the tabs on the lock fastener are aligned with the notches in the lock fastener opening.

- Push down firmly on the seat back to snap the seat into the vehicle body.



6

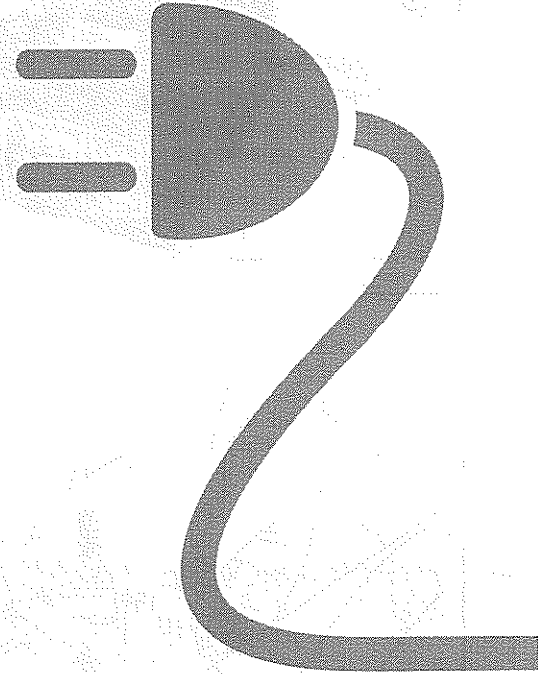
- Rotate the lock fastener $\frac{1}{4}$ turn using a slotted screwdriver to lock the battery compartment.
- Lift the seat back to make sure the lock fastener is in the locked position. Keep the lock fastener in the locked position at all times to prevent children from accessing the 6 volt batteries.

J

Charging the 6 Volt Batteries

WARNING

- Batteries must be handled by adults only.
- Never allow children to charge the 6 volt batteries. Battery charging must be done by adults only. A child could be injured by the electricity involved in charging batteries.
- Use of the wrong type of 6 volt battery, fuse or charger could cause a fire or explosion, resulting in serious injury.
- Never permit a child to handle batteries. The 6 volt batteries are heavy and contain sulfuric acid (electrolyte) and, if dropped, could result in serious injury. Read the cautions on the back panel of the battery.
- Never lift or carry the 6 volt batteries by the wires or connectors. This can damage the 6 volt batteries and possibly cause a fire. Lift and carry the 6 volt batteries by the cases only.
- Examine the 6 volt batteries, charger and their connectors for excessive wear or damage each time you charge the 6 volt batteries. If damage or excessive wear is detected, do not use the vehicle until you have replaced the worn or damaged parts, as it could possibly cause a fire resulting in injury.
- Never alter this vehicle or its electrical system in any way. Alterations could cause a fire resulting in injury and could also ruin the electrical system.

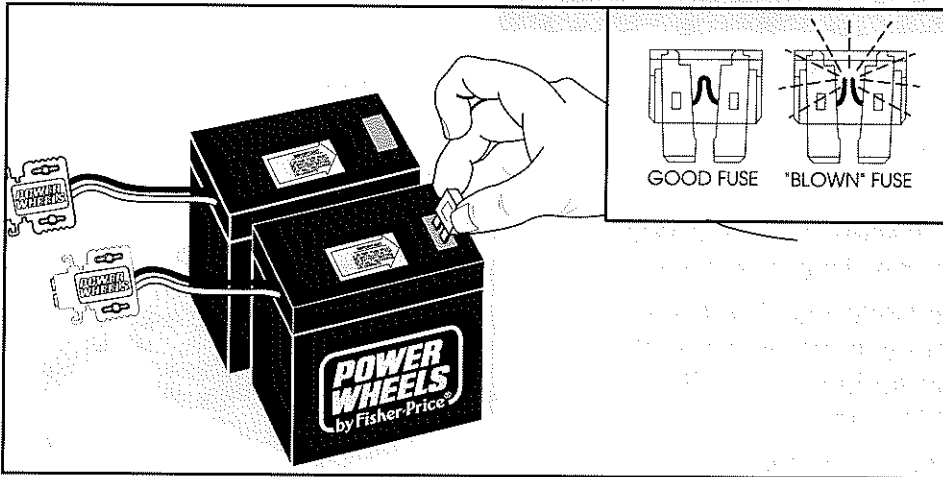


CAUTION

- Carefully read the Battery Care instructions to obtain the best battery life. Failure to follow the Battery Care instructions may permanently damage your 6 volt batteries and will void your warranty.
- Use the charger indoors only.

Charging the 6 Volt Batteries

Important Note: The 6 volt batteries must be upright while charging. You do not have to remove the 6 volt batteries from the vehicle to charge them.

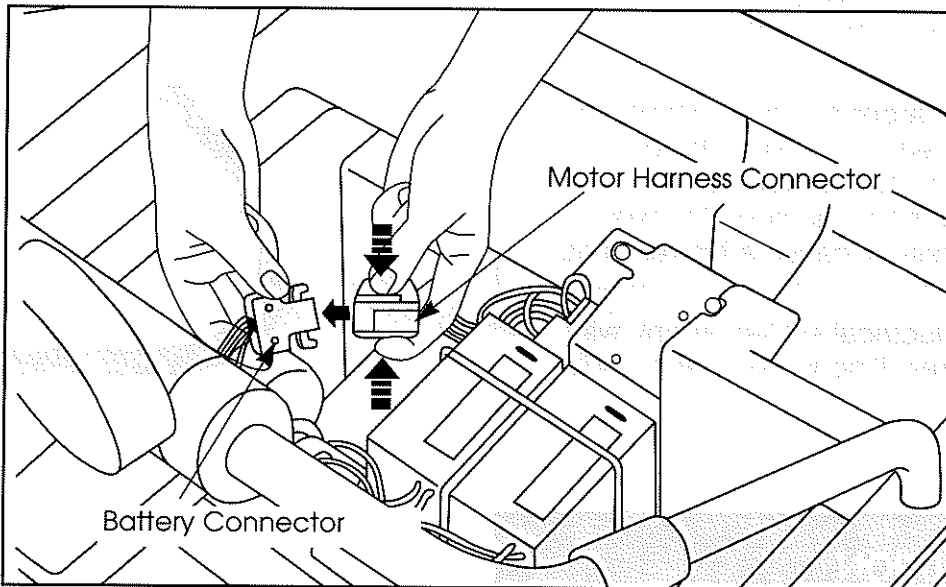


1

- Rotate the lock fastener on the seat back $\frac{1}{4}$ turn using a slotted screwdriver to unlock the battery compartment.
- Lift the seat to access the 6 volt batteries.
- Use pliers to remove the fuses from the 6 volt batteries.
- Look at each fuse to make sure it is not blown. If a fuse has blown, replace it with a new Power Wheels® 30 amp fuse.
- Re-insert the fuses into the 6 volt batteries before charging. The 6 volt batteries will not charge if a 30 amp fuse in good condition is not inserted into each 6 volt battery.

2

- Squeeze the tabs on the motor harness connector to unplug it from the battery connector.



3

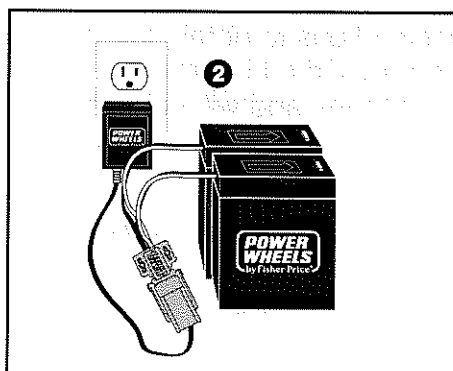
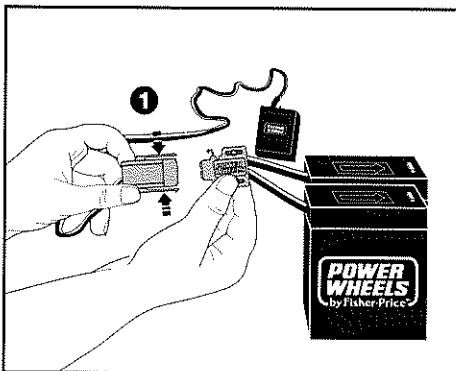
- Squeeze the tabs on the charger connector to plug it into the battery connector **1**.
- Plug the charger into a standard 120 volt wall outlet **2**.

Note: If power to the outlet is controlled by a wall switch, make sure the switch is "ON".

- Charge the 6 volt batteries a minimum of 14 hours after each use. Never charge the 6 volt batteries longer than 30 hours. Overcharging or undercharging the 6 volt batteries may shorten battery life and decrease vehicle running time.

- Once the 6 volt batteries are charged, reconnect the battery connector and motor harness connector and lower the seat back.

Note: Remember to lock the lock fastener to prevent children from accessing the 6 volt batteries.



K

Battery Handling/Care/Disposal



WARNING

- Six volt batteries must be handled by adults only.
- Never permit a child to handle batteries. The 6 volt batteries are heavy and contain sulfuric acid (electrolyte) and, if dropped, could result in a serious injury. Read the cautions on the back panel of the 6 volt batteries.
- Never lift or carry the 6 volt batteries by the wires or connectors. This can damage the 6 volt batteries and possibly cause a fire. Lift and carry the 6 volt batteries by the case only.

Handling

If a battery leak develops:

- Avoid contact with the leaking acid.
- Place the damaged battery in a plastic bag. See information below for proper disposal.

If acid comes in contact with skin or eyes:

- Flush with cool water for at least 15 minutes.
- Call a physician.

If acid is internally ingested:

- Give water, milk of magnesia or egg whites immediately.
- Never give emetics or induce vomiting.
- Call a physician.

Disposal

- The 6 volt sealed lead-acid batteries must be collected, recycled or disposed of in an environmentally sound manner.
- Do not dispose of lead-acid batteries in your regular, household trash. The incineration, landfilling or mixing of sealed lead-acid batteries with household trash is prohibited by law in most areas.
- Return the 6 volt batteries to a federal or state approved lead-acid battery recycler, such as a Power Wheels® Authorized Service Center or a local seller of automotive batteries. In Minnesota, call 1-800-348-0751 if further disposal information is required. Contact your local waste management officials for other information regarding the environmentally sound collection, recycling and disposal of lead-acid batteries.

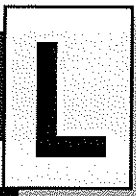


CAUTION

- Carefully read the Battery Care instructions to obtain the best battery life. Failure to follow the Battery Care instructions may damage your 6 volt batteries and will void your warranty.

Care

- Charge new 6 volt batteries for at least 18 hours before first use. Never charge the 6 volt batteries longer than 30 hours. Overcharging or undercharging the 6 volt batteries may shorten battery life and decrease vehicle running time.
- After the first charge, charge the 6 volt batteries for at least 14 hours after each use. Never charge the 6 volt batteries longer than 30 hours.
- Charge the 6 volt batteries after each use, regardless of how long the vehicle was used.
- The 6 volt batteries must be upright while charging.
- Do not allow the 6 volt batteries to run down completely before charging.
- Charge the 6 volt batteries before storing the vehicle.
- Charge the 6 volt batteries at least once per month, even if the vehicle has not been used.
- Leaving the 6 volt batteries in a discharged condition will ruin them.
- Do not store the 6 volt batteries in temperatures above 75° F or below -10° F.
- Prevent the 6 volt batteries from moving freely inside the battery compartment. Always use the battery retainer to secure the 6 volt batteries in the battery compartment.
- Examine the 6 volt batteries, charger and their connectors for excessive wear or damage each time you charge the 6 volt batteries. If damage is detected, do not use the charger or the 6 volt batteries until you have replaced the worn or damaged part.
- Attempting to charge the 6 volt batteries without fuses or with blown fuses will not damage the 6 volt batteries, but they will not charge. Check the fuses to make sure they are in good condition each time you charge the 6 volt batteries.



Rules for Safe Driving



WARNING

- Adult supervision is required. Children do not have the judgement necessary to avoid many accidents. Be sure that children operating this vehicle can do so safely and that they are supervised at all times.
- Never use in unsafe areas including but not limited to steps, steep inclines or slopes greater than 10°, roadways, bodies of water, low obstructions or in the dark.
- Always wear shoes or sneakers when operating or riding in this vehicle.
- Never allow more than two riders; one driver and one passenger.
- Riders should sit on the seat when the vehicle is in operation.
- Improper use of this vehicle could lead to a serious or fatal accident. Allow children to play with **Jeep® Adventure Team** only when you have determined that they can do so safely. Follow all instructions to help your child enjoy this vehicle as safely as possible.



CAUTION

- To avoid damaging motors and gears, do not overload the vehicle.
 - Never allow more than two children in the vehicle at one time; one driver and one passenger.
 - Do not exceed the maximum weight capacity of 130 lbs.
 - Do not tow anything behind **Jeep® Adventure Team**. The extra weight may overload the vehicle.
- Avoid operating the vehicle in wet or snowy conditions, and do not spray the vehicle with a hose. Do not wash the vehicle with soap and water. Water or moisture in the motors or electrical switches can cause them to corrode, and could cause switch failure.
- Avoid operating the vehicle on sand, loose dirt or gravel. Sand, loose dirt and gravel in the electrical switches or motors can cause them to jam, and could cause switch or motor failure. Use **Jeep® Adventure Team** on grass, asphalt or other hard surfaces.

Teach Safety Rules to Children

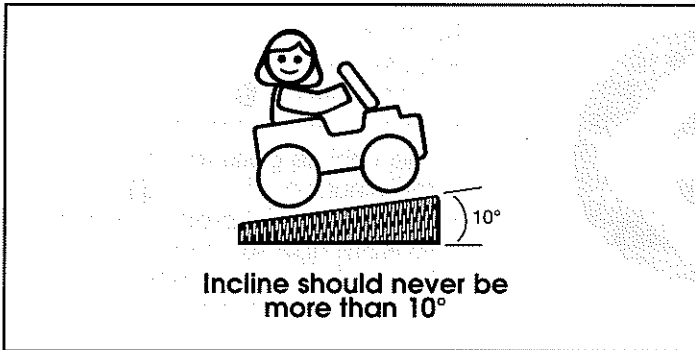
While children can quickly develop the skill necessary to drive this vehicle, it is important to remember that their judgement skills are still very immature. Unsupervised driving by children can lead to serious injury. Before children use **Jeep® Adventure Team**, an adult should carefully evaluate the driving area as well as the children's skill level and ability to drive this vehicle safely. Children are not always able to recognize or anticipate hazards, even when they have been taught about them. There is no acceptable substitute for adult supervision.

Teach appropriate safety rules to your child before you allow her to operate this vehicle. These rules should also be reviewed with neighborhood children or other playmates who want to drive or ride in this vehicle.

1. Do not allow any child to drive the vehicle in the street or near moving (motorized) vehicles.
2. Do not allow any child to drive near bodies of water (such as pools or creeks), obstructions (such as furniture, low tree limbs or play equipment), or drop-offs (such as stairs or decks).
3. Do not allow any child to drive the vehicle in the dark. A child could encounter unexpected obstacles and have an accident. Operate the vehicle only in the daytime or in a well-lit area.
4. Teach your child to avoid driving on steep inclines or slopes. Restrict your child's driving to areas that are fairly level with gentle inclines or slopes of no more than 10°.
 - While driving down a steep slope, the vehicle may gain unsafe speed, even if the foot pedal is released to stop.

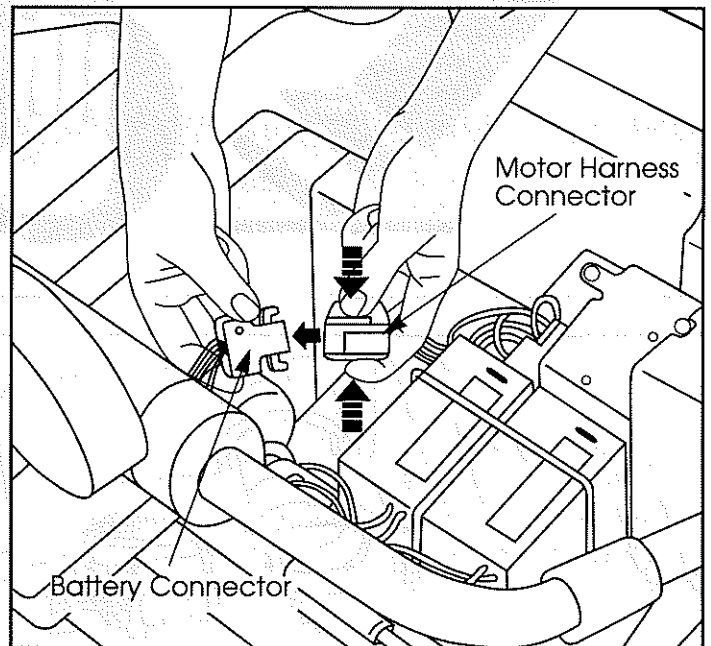
Rules for Safe Driving

- While driving across a steep slope, the vehicle may tilt and tip over. The wheels could lose traction, causing the vehicle to slip.
- While driving up a steep incline, the motor may stop and the vehicle could roll backwards at an unsafe speed.



5. Operate this vehicle with no more than two riders; one driver and one passenger in the seating area. Children who are not sitting on the seat or who are standing on the vehicle could fall off, cause a tip-over or block the driver's view. A child could be seriously injured.
6. Always wear shoes or sneakers when operating or riding in this vehicle.
7. Never put anything near any moving parts. Rotating parts such as motors, gear boxes and wheels can snag fingers, hair, etc., causing serious injury. Do not allow operation of the vehicle when it is on its side or in an upside-down position.

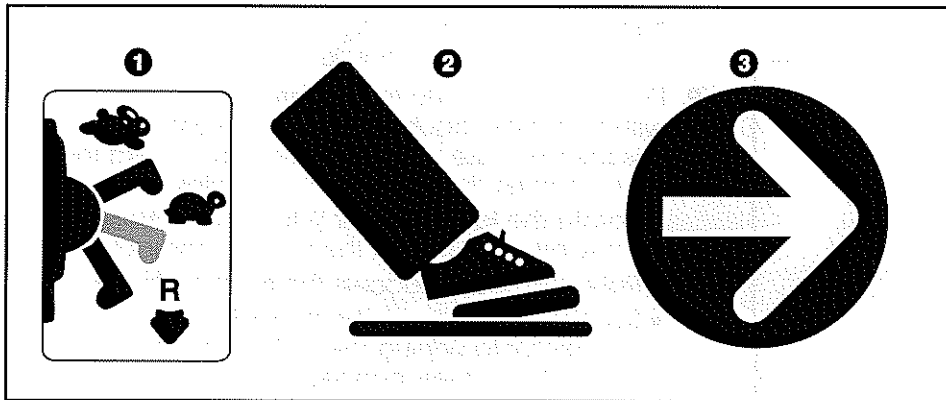
8. Do not operate the vehicle near flammable vapors (gasoline, paint thinner, acetone, liquid wax, etc.). The vehicle's electrical switches, like most electrical switches, emit an internal spark when first turned on. The presence of flammable liquids or vapors could cause an explosion or a fire. Keep all flammable products in tightly sealed containers and away from the vehicle.
9. Do not allow a child to operate the vehicle without proper adult supervision. To prevent unsupervised use of the vehicle, disconnect the motor harness from the 6 volt batteries.
 - Rotate the lock fastener $\frac{1}{4}$ turn with a slotted screwdriver to unlock the battery compartment.
 - Raise the seat to access the 6 volt batteries.
 - Squeeze the tabs on the motor harness connector to unplug the battery connector from the motor harness connector.
 - Lower the seat and rotate the lock fastener $\frac{1}{4}$ turn with a slotted screwdriver to lock the battery compartment.



M

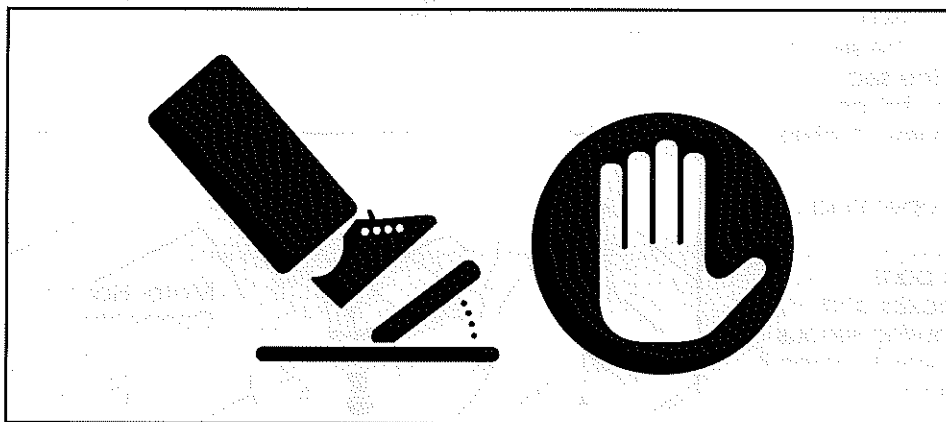
How to Operate your Vehicle

To help your child develop the skill necessary to drive this vehicle safely, your Power Wheels® vehicle has been pre-assembled so that it will only operate in low speed (2½ mph, maximum). After your child has mastered the basic skills of driving and understands the rules for safe driving, it's time to disconnect the high-speed lock-out to allow the vehicle to operate at low (2½ mph, maximum) or high speed (5 mph, maximum). **See the instructions below to disconnect high-speed lock-out.**



Beginner Drivers: Low Speed Forward To Drive

- Make sure the shifter is in the LOW position ①.
- Press down on the foot pedal ②. The vehicle goes forward at a maximum of 2½ mph ③.
- Help your child practice steering to learn how far and how quickly to turn the steering wheel when driving forward in low speed.



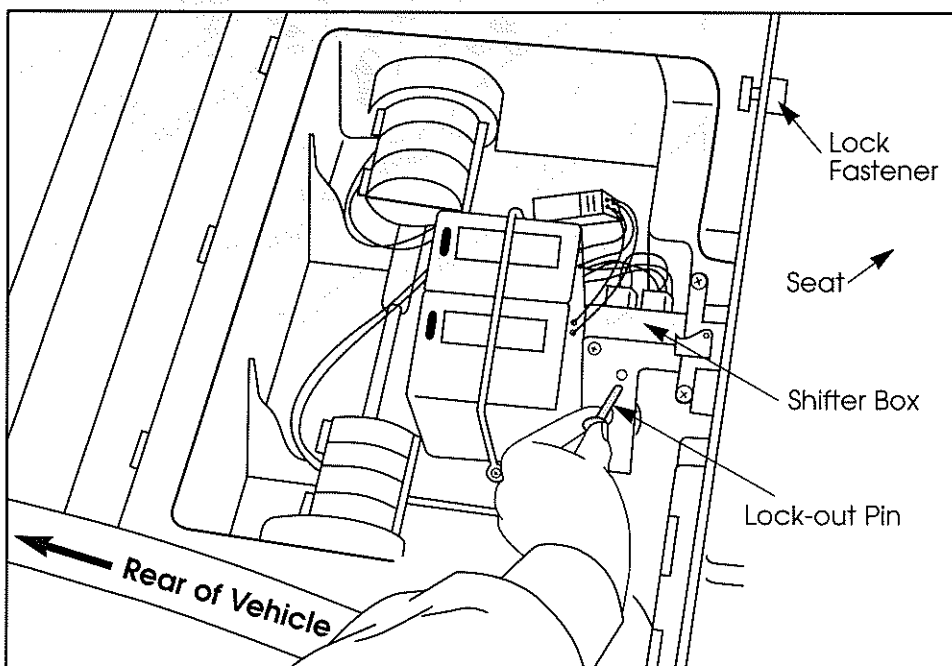
To Stop

- Your **Jeep® Adventure Team** has a patented, electronic braking system that automatically stops the vehicle when your child's foot is lifted from the pedal.
- Have your child practice so that he becomes familiar with low speed forward and automatically knows how to stop.

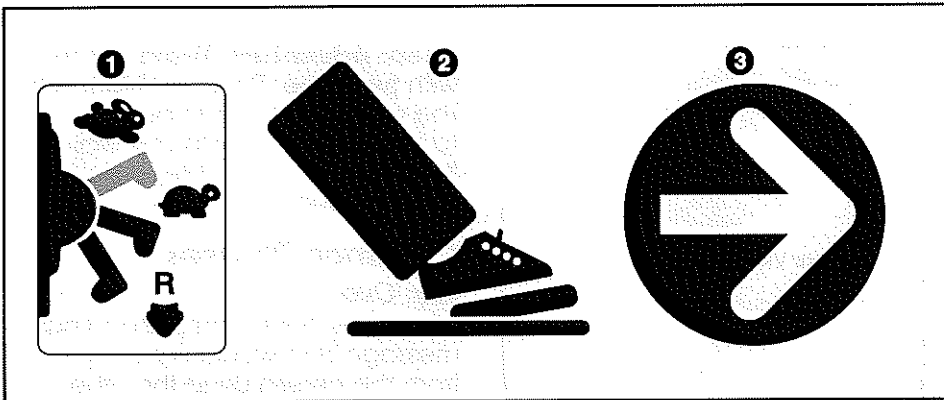
Experienced Drivers: High Speed Forward To disconnect

High-Speed Lock-Out

- Before you disconnect the high speed lock-out, make sure your child:
 - Knows how to start and stop the vehicle easily in low speed.
 - Knows how to steer.
 - Knows the safety rules well.
- Rotate the lock fastener ¼ turn with a slotted screwdriver to unlock the battery compartment.
- Raise the seat to access the lock-out pin.
- Pull the lock-out pin out of the shifter box.
- Re-install the seat. Remember to lock the lock fastener to prevent children from accessing the batteries.
- You can re-insert the lock-out pin into the shifter box if you want to lock out high speed and allow operation of the vehicle in low speed only.



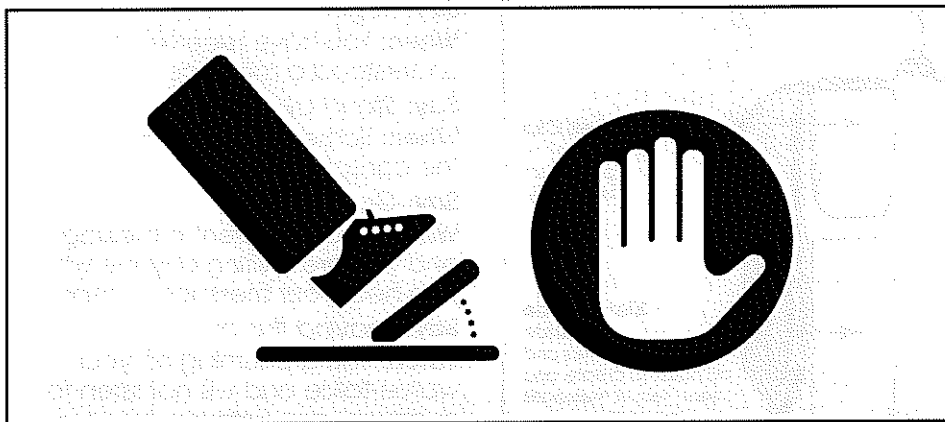
How to Operate your Vehicle



To Drive:

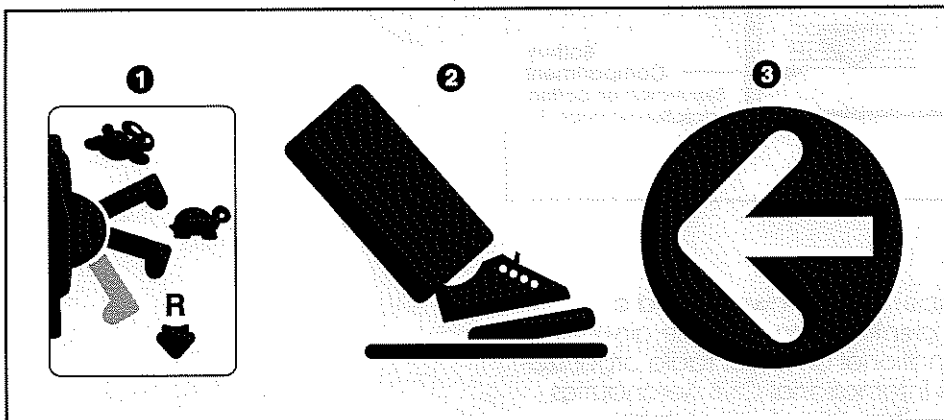
Note: To prevent damage to the motors, stop the vehicle before shifting speeds.

- Make sure the shifter is in the HIGH position **1**.
- Press down on the foot pedal **2**. The vehicle goes forward at a maximum of 5 mph **3**.
- Help your child practice steering to learn how far and how quickly to turn the steering wheel when driving forward in high speed.



To Stop:

- Stopping in high speed is the same as stopping in low speed. The vehicle automatically stops when your child's foot is lifted from the pedal.



Reverse

Note: To prevent damage to the motors, stop the vehicle before shifting from forward (LOW or HIGH) to reverse.

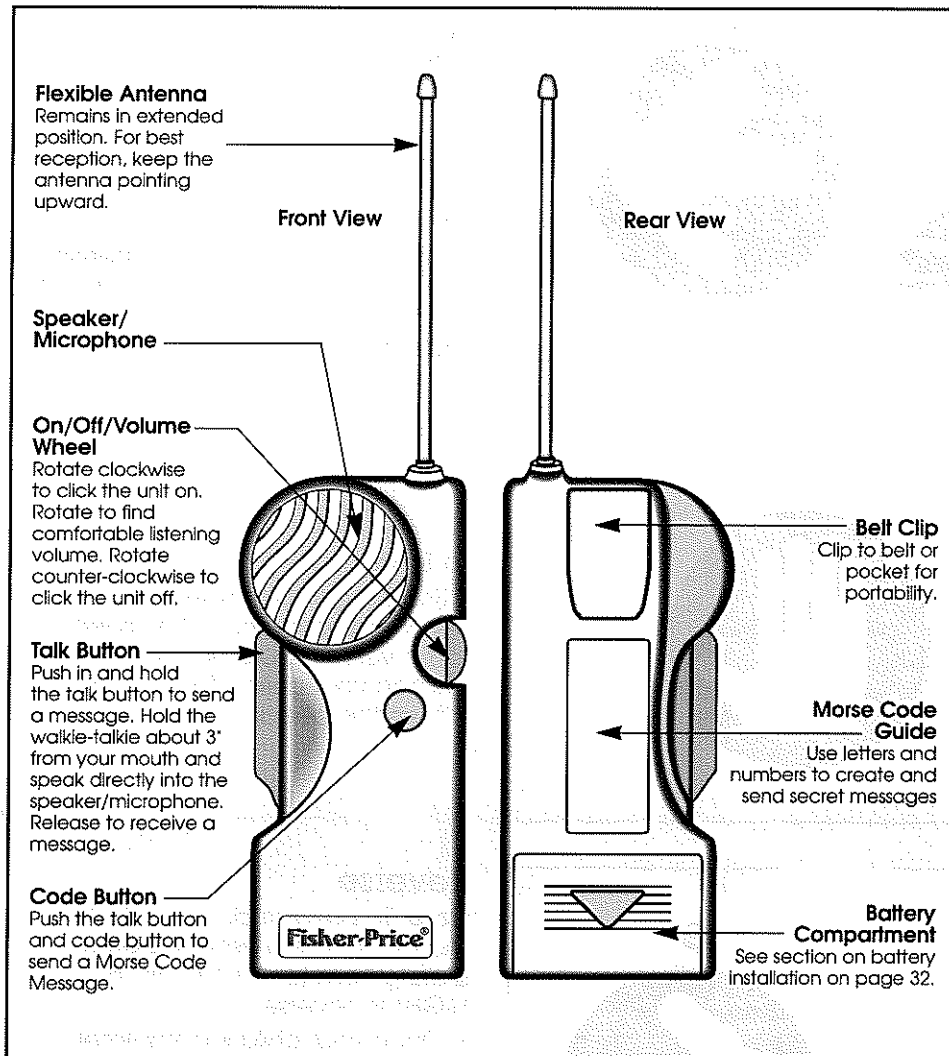
- Once your child is completely comfortable with operating the vehicle in the forward mode (LOW or HIGH speed), introduce reverse (REV).

To Back Up

- Make sure the shifter is in the reverse (REV) position **1**.
- Press down on the foot pedal **2**. The vehicle will go in reverse at a maximum of 2 1/2 mph **3**.
- Help your child practice steering to learn how far and how quickly to turn the steering wheel when backing up.

N

How to Use the Walkie-Talkies



Jeep® Adventure Team comes with two Fisher-Price® walkie-talkies. The walkie-talkies can be used to communicate with any walkie-talkie on the 27.145 Mega Hertz (MHz) frequency band.

Common Phrases

Say: *Over*

When: You have completed your message and would like a reply from the person using the other walkie-talkie.

Say: *Roger*

When: You have received and understood a message.

Say: *Stand by*

When: Something has interrupted the contact.

Say: *Go ahead*

When: You have sent a message and you are inviting anyone who can hear your message to reply.

Say: *Leaving the air*

When: You are turning off your walkie-talkie and will not listen for or answer any further messages.

Phonetic Alphabet

Amateur radio operators have an alphabet all their own, called a phonetic alphabet. It is used for correct identification over the airwaves. The American Radio Relay League, the national amateur radio organization, has been using the alphabet of the International Civil Aeronautics Organization since the 1970's. Here is how they identify each letter:

A = Alpha	N = November
B = Bravo	O = Oscar
C = Charlie	P = Papa
D = Delta	Q = Quebec
E = Echo	R = Romeo
F = Foxtrot	S = Sierra
G = Golf	T = Tango
H = Hotel	U = Uniform
I = India	V = Victor
J = Juliett	W = Whiskey
K = Kilo	X = X-Ray
L = Lima	Y = Yankee
M = Mike	Z = Zulu

Say that your name is Bonnie Smith and you are sending a message to Tommy Fletcher. You might want to refer to each other using a code. Using the initials of your first and last names, your message might sound like this:

*"Bravo Sierra to Tango Foxtrot.
Do you read me? Over."*

O

Frequently Asked Questions

Q. How often do I need to charge the 6 volt batteries?

A. Charge the 6 volt batteries for a minimum of 14 hours after each use of the vehicle or whenever the vehicle begins to slow down. When the vehicle is not in regular use, charge the 6 volt batteries at least once a month until normal use is resumed.

Q. How much riding time should I get after charging the 6 volt batteries?

A. You should get from one to three hours of riding time per charge. The riding time is affected by:

- the driving surface,
- passenger weight,
- the charge of the 6 volt batteries,
- whether the vehicle is used intermittently or continuously,
- condition of the electrical switches and connectors,
- whether the vehicle is used in low or high speed,
- the temperature.

Q. What is the life expectancy of the 6 volt batteries?

A. The life of the 6 volt batteries will vary depending on how well you follow the Charging and Battery Care instructions. It's also affected by the total number of hours the 6 volt batteries are used. Average battery life is one to three years.

Q. Do the fuses have to be inserted into the 6 volt batteries when I'm charging?

A. Yes! The 6 volt batteries must have good fuses installed when charging and during use. If the fuses are missing, blown or if you are using the wrong type of fuse, the 6 volt batteries will not charge.

Q. How can I tell if the fuses are blown?

A. Use pliers to remove the fuses from the 6 volt batteries and compare the fuses to the illustration on page 36.

Q. How can I tell if the charger is working?

A. There is no sure way to tell if your charger is working unless you have a volt meter. If you suspect there is a problem with your charger, contact your local Power Wheels® Authorized Service Center. They can test your charger for you.

Q. How and when should I store my vehicle?

A. During snowy or rainy weather, the vehicle should be stored inside or under a protective cover. Remember to charge the 6 volt batteries at least once per month while your vehicle is not in regular use.

Q. How should I care for my vehicle?

A. The vehicle can be wiped down with a soft, dry cloth. For a shiny finish, you can wipe plastic parts with a non-wax furniture polish applied to a soft-cloth. Do not use automotive wax. Do not use soap and water or spray the vehicle with a hose.

To ensure that your vehicle stays in good operating order, we recommend that you periodically have your vehicle checked by a Power Wheels® Authorized Service Center. See page 48 for the list of Authorized Service Centers or call 1-800-348-0751 for the location of the Authorized Service Center nearest you.

Q. If I have a problem that I can't solve myself, what should I do?

A. Power Wheels® has over 300 Authorized Service Center locations. They can repair vehicles under warranty, or out of warranty, or sell you the proper parts for you to do the repair work. These service centers have factory-trained personnel, and use only genuine Power Wheels® replacement parts. If there is not an Authorized Service Center in your area, please call Power Wheels® Consumer Affairs toll-free at: **1-800-348-0751**.

P

Problems and Solutions Guide

IMPORTANT! If you experience a problem with your vehicle, first check the Problems and Solutions Guide below. If you still experience a problem, please contact Power Wheels® Consumer Affairs, toll-free at **1-800-348-0751** between 8 AM and 6 PM (EST) Monday through Friday. Or, contact your local Power Wheels® Authorized Service Center. For the location nearest you, please refer to the Authorized Service Center list beginning on page 48.

Problem	Possible Cause	Solution
Vehicle does not run	Undercharged 6 volt batteries	Charge the 6 volt batteries. New 6 volt batteries should have been charged for at least 18 hours before using the vehicle for the first time. After first-time use, recharge 6 volt batteries for at least 14 hours after each use. Never charge the 6 volt batteries longer than 30 hours.
		Check all connectors. Make sure the battery connector is tightly plugged into the charger connector, and that the charger is plugged into the wall.
		Make sure power flow to the wall outlet is "ON".
	Wrong type or improperly installed fuse	Make sure that each 6 volt battery has a properly installed Power Wheels® 30 amp fuse before charging. For best performance, do not use substitute parts.
		Blown fuses
	Loose wire or loose connectors	Check all wires and connectors. Make sure the battery connector is tightly plugged into the motor harness connector, and that there are no loose wires around the motors.
	Dead 6 volt batteries	If your 6 volt batteries are old or if you have not followed Battery Care instructions, your 6 volt batteries may be dead. If you are unsure whether or not the 6 volt batteries are dead, you can have them tested at your local Power Wheels® Authorized Service Center.
		If one or both 6 volt batteries are dead, replace BOTH 6 volt batteries with new Power Wheels® Type H, 6 volt batteries. (Use of a new 6 volt battery with an older 6 volt battery may cause permanent damage to both batteries.) For best performance, do not use substitute parts.
	Electrical switch damage	The electrical switches can become corroded due to exposure to water or moisture, or can jam due to loose dirt, sand or gravel. Contact your local Power Wheels® Authorized Service Center for diagnosis and repair.
Motor damage	Contact your local Power Wheels® Authorized Service Center for diagnosis and repair.	

Problems and Solutions Guide

Problem	Possible Cause	Solution
Vehicle was running but suddenly stopped	Loose wire or loose connectors	Check all wires and connectors. Make sure the battery connector is tightly plugged into the motor harness connector, and that there are no loose wires around the motors.
	Wrong type or improperly installed fuse	Make sure that each 6 volt battery has a properly installed Power Wheels® 30 amp fuse installed before charging. For best performance, do not use substitute parts.
	Blown fuses	Make sure that the fuses in the 6 volt batteries are in good condition. Replace blown fuses with Power Wheels® 30 amp fuses. For best performance, do not use substitute parts.
	Vehicle is overloaded	Make sure you do not overload the vehicle by allowing more than 2 riders at one time, by exceeding the 130 lbs. maximum weight capacity, or by towing objects behind the vehicle. If the vehicle is overloaded, it will automatically shut down. The vehicle will reset itself after approximately 20 seconds. Reduce the load on the vehicle to prevent additional automatic shut-downs.
	Driving conditions are too stressful	Use only on gentle inclines or slopes of 10° or less. Extreme temperatures can also affect run time. If the driving conditions are too stressful, the vehicle will automatically shut down. The vehicle will reset itself after approximately 20 seconds. Adjust the driving conditions to prevent additional automatic shut-downs.
Short run time (Less than 1 hour in high speed; less than 3 hours in low speed)	Undercharged 6 volt batteries	Charge the 6 volt batteries. New 6 volt batteries should have been charged for at least 18 hours before using the vehicle for the first time. After first-time use, recharge 6 volt batteries for at least 14 hours after each use. Never charge the 6 volt batteries longer than 30 hours.
		Check all wires and connectors. Make sure the battery connector is tightly plugged into the charger connector, and that the charger is plugged into the wall.
		Make sure power flow to the wall outlet is "ON".
	Overcharged 6 volt batteries	Do not charge the 6 volt batteries longer than 30 hours.
	6 volt batteries are old and will not accept full charge	Even with proper care, rechargeable batteries do not last forever. Average battery life is 1 to 3 years depending on vehicle use and use conditions. Always replace 6 volt batteries as a set; use of an older 6 volt battery with a new 6 volt battery may cause permanent damage to both 6 volt batteries. Replace BOTH 6 volt batteries with Power Wheels® Type H, 6 volt batteries. For best performance, do not use substitute parts.
	Wrong type or improperly installed fuse	Make sure that each 6 volt battery has a properly installed Power Wheels® 30 amp fuse installed before charging. For best performance, do not use substitute parts.
	Driving conditions are too stressful	Use only on gentle inclines or slopes of 10° or less. Extreme temperatures can also affect run time. If the driving conditions are too stressful, the vehicle will automatically shut down. The vehicle will reset itself after approximately 20 seconds. Adjust the driving conditions to prevent additional automatic shut-downs.

Problems and Solutions Guide

Problem	Possible Cause	Solution
Vehicle runs sluggishly	Undercharged 6 volt batteries	Charge the 6 volt batteries. New 6 volt batteries should have been charged for at least 18 hours before using the vehicle for the first time. After first-time use, recharge 6 volt batteries for at least 14 hours after each use. Never charge the 6 volt batteries longer than 30 hours.
		Check all connectors. Make sure the battery connector is tightly plugged into the charger connector, and that the charger is plugged into the wall.
		Make sure power flow to the wall outlet is "ON".
	6 volt batteries need charging	After approximately 1 hour of constant use in high speed or 3 hours of constant use in low speed, the batteries need charging.
	Wrong type or improperly installed fuse	Make sure that each 6 volt battery has a properly installed Power Wheels® 30 amp fuse installed before charging. For best performance, do not use substitute parts.
	6 volt batteries are old and will not accept full charge	Even with proper care, rechargeable batteries do not last forever. Average 6 volt battery life is 1 to 3 years depending on the vehicle use and use conditions. Always replace 6 volt batteries as a set; use of an older 6 volt battery with a new 6 volt battery may cause permanent damage to both 6 volt batteries. Replace BOTH batteries with Power Wheels® Type H, 6 volt batteries. For best performance, do not use substitute parts.
	Vehicle is overloaded	Make sure you do not overload the vehicle by allowing more than 2 riders at one time, exceeding the 130 lbs. maximum weight capacity, or by towing objects behind the vehicle. If the vehicle is overloaded, it will automatically shut down. The vehicle will reset itself after approximately 20 seconds. Reduce the load on the vehicle to prevent additional automatic shut-downs.
Driving conditions are too stressful	Use only on gentle inclines or slopes of 10° or less. Extreme temperatures can also affect run time. If the driving conditions are too stressful, the vehicle will automatically shut down. The vehicle will reset itself after approximately 20 seconds. Adjust the driving conditions to prevent additional automatic shut-downs.	
Vehicle runs in low speed, but does not run in high speed (Please Note: The vehicle is designed to operate in low speed only in reverse (REV).)	High speed lock-out not disconnected	The vehicle was pre-assembled to run only in low speed. To allow the vehicle to run in low and high speed, you must disconnect the High Speed Lock-Out. Follow the instructions on page 40 to disconnect High Speed Lock-Out.
	One of the fuses is blown	Check the fuses and replace the blown fuse with a Power Wheels® 30 amp fuse. For best performance, do not use substitute parts.
When the foot pedal is pressed, only one rear wheel spins	Operation of the vehicle in low speed with both rear wheels off the ground	It is possible that only one rear wheel may spin when both rear wheels are raised off the ground and the vehicle is in low speed. This does not necessarily indicate a problem. Check for proper operation of the drive system by raising the rear wheels off the ground and pressing the foot pedal. If only one rear wheel spins, carefully press your hand on the spinning wheel to slow it down. The other rear wheel should begin to spin. If the other rear wheel does not begin to spin, there may be a problem with the vehicle. Contact your local Power Wheels® Authorized Service Center for diagnosis and repair.

Problems and Solutions Guide

Problem	Possible Cause	Solution
Sometimes the vehicle doesn't run, but other times it does	Loose wire or connector	Check all wires around the motors and all connectors to make sure they are tight.
	Motor or electrical switch damage	Contact your local Power Wheels® Authorized Service Center for diagnosis and repair.
When the foot pedal is pressed, the vehicle won't run without a push	Loose wire or connector	Check all wires around the motors and all connectors to make sure they are tight.
	"Dead Spot" on motor	Contact your local Power Wheels® Authorized Service Center for diagnosis and repair.
Vehicle constantly blows fuses	Wrong type of fuse used	Jeep® Adventure Team requires two Power Wheels® 30 amp fuses, one in each 6 volt battery. Make sure Power Wheels® 30 amp fuses are properly installed in the 6 volt batteries. For best performance, do not use substitute parts.
	Child is switching speeds or switching from forward (LOW or HIGH) to reverse (REV) without stopping	Teach your child to stop the vehicle before switching speeds and before switching from forward to reverse.
		Replace blown fuses with Power Wheels® 30 amp fuses. For best performance, do not use substitute parts.
Loud clacking or grinding noise from a motor-gearbox	Broken gears	Contact your local Power Wheels® Authorized Service Center for diagnosis and repair.
Charger gets warm during use	It is normal for some chargers to get warm during use and is not reason for concern. Some chargers do not get warm during use.	No action required.
		If your charger does not get warm during use, it does not mean that it is not working properly.
Batteries make a sizzling or gurgling noise when charging	It is normal for some batteries to make noise and swell slightly while charging and is not reason for concern. Some batteries do not make noise or swell while charging.	No action required.
		If your 6 volt batteries do not make noise or swell slightly during charging, it does not mean that they are not accepting the charge.
Walkie-talkie does not work	Weak battery	Remove the battery and install a new, 9 volt alkaline battery.
Static over walkie-talkies	Interference	Change your location.
		Point the antenna in different directions.
Fading walkie-talkie messages	Out of Range	Get closer together.
	Obstacles	Move away from buildings, trees, hills, or crowds of people.
		Move to a higher location or to an area more flat and open.
Weak Battery	Remove the battery and install a new, 9 volt alkaline battery.	

If, after reviewing the Problems and Solutions Guide, the vehicle still fails to operate, please contact your nearest Authorized Service Center (see page 48) or contact Power Wheels Consumer Affairs toll-free at **1-800-348-0751**.

Helpful Hint: For faster service when calling Consumer Affairs, completely charge the 6 volt batteries before calling and have the following available by the phone:

- vehicle,
- vehicle model number (see sticker in battery compartment),
- vehicle production run number (see sticker in battery compartment),
- Phillips screwdriver, slotted screwdriver and needle-nose pliers with plastic or rubber handles,
- extra Power Wheels® 30 amp fuses are helpful.

Q

Limited Warranty/FCC Note

90-day limited warranty for the Power Wheels® Ride-On Toy Vehicle

A 6-month battery warranty applying only to those 6 volt batteries which were included by Power Wheels®, with the Power Wheels® vehicle when originally purchased.

This limited warranty covers the Power Wheels® ride-on vehicle and the 6 volt batteries, purchased from Power Wheels® by the original purchaser, against defects in materials and workmanship.

This warranty covers normal use and does not cover the Power Wheels® vehicle or batteries if damaged by unreasonable use, neglect, accident, abuse, misuse, improper service or other causes not arising out of defects in materials or workmanship. Evidence of any attempt at consumer repair will void this warranty. This warranty does not cover, and is intended to exclude, any liability on the part of Power Wheels®, whether under this warranty or implied by law or any indirect or consequential damages for breach of warranty. Some states do not allow the exclusion or limitation so this limitation may not apply to you.

Should you need service or assistance with your vehicle during the warranty period, DO NOT RETURN THE VEHICLE TO THE STORE. Power Wheels® has provided a nationwide network of Authorized Service Centers. Please refer to the list in this manual. Power Wheels® is continually expanding our Authorized Service Center network. If there is not an Authorized Service Center in your area, please call Consumer Affairs for information, 1-800-348-0751.

This warranty gives you specific legal rights, and you may also have other rights which may vary from state to state.

PLEASE SAVE YOUR ORIGINAL SALE'S RECEIPT.

FCC Note (United States)

This device complies with Part 15 of the FCC Rules. Operation is subject to the following two conditions: (1) This device may not cause harmful interference and (2) this device must accept any interference received, including interference that may cause undesired operation.

NOTE: This equipment has been tested and found to comply with the limits for a Class B digital device pursuant to Part 15 of the FCC Rules. These limits are designed to provide reasonable protection against harmful interference in a residential installation. This equipment generates, uses and can radiate radio frequency energy and, if not installed and used according to the instructions, may cause harmful interference to radio communications. However, there is no guarantee that interference will not occur in a particular installation. If this equipment does cause harmful interference to radio or television reception, which can be determined by turning the equipment on and off, the user is urged to try to correct the interference by one or more of the following measures:

- Reorient or relocate the receiving antenna.
- Increase the separation between the equipment and receiver.
- Connect the equipment into an outlet on a circuit different from that to which the receiver is connected.
- Consult the dealer or an experienced radio/TV technician for help.

NOTE: Any modification of the transmitter or the receiver will violate FCC compliance and can void the user's authority to operate the equipment.

R

Authorized Service Centers

We are continually expanding our Authorized Service Center Network. Please check this listing for the Authorized Service Center nearest you. If there is not one in your area, please call Power Wheels® Consumer Affairs at 1-800-348-0751.

ALABAMA

BIRMINGHAM - Frigid Service & Sales, 701 Graymont Ave. North, 35203, (205) 323-5831
BIRMINGHAM - Frigid Service & Sales, 1861 Centerpoint Rd., 35215, (205) 853-3952
BIRMINGHAM (HOMEWOOD) - D & R Appliance Company, 154 West Valley Ave., 35209, (205) 942-3959
CULLMAN - Robert G. Werner Company, 1115 4th Street S.W., 35055, (205) 734-5673
DECATUR - Peddler II, 1000 B Beltline Road, 35603, (205) 350-1044
DOTHAN - Bill's Appliance Service, 208 Bic Road, P.O. Box 1192, 36303, (334) 792-7746
DOUGLAS - Brown Hardware, Highway 75, 35964, (205) 593-6086
HUNTSVILLE - C & G Appliance, 307 Jordan Lane, 35805, (205) 837-4551
MOBILE - Foster's Appliance Repair, 1660 South Beltline Hwy., 36693, (205) 666-2670
MONTGOMERY - Acme Service Co., 2603 Highland Ave., 36107, (205) 264-2456, (800) 285-2160
TUSCALOOSA (NORTHPORT) - Frigid Service & Sales, 2813 Lurleen B. Wallace Blvd., 35476, (205) 339-3624

ALASKA

ANCHORAGE - Ken's Electronics Service, 360 E. International, Ste. 8, 99518, (907) 562-3443

ARIZONA

GLENDALE - Elliott Electric Appliance Service, 6242 N. 43rd Avenue, 85301, (602) 937-2613
SCOTTSDALE - Elliott Electric, 7515 E. McDowell Road, 85257, (602) 946-7487

ARKANSAS

FT. SMITH - Bromley Appliance Service, 614 North 10th Street, 72901, (501) 782-9646
JONESBORO - Best Sewing & Vacuum & Repair, 2235 S. Caraway Road, 72401, (501) 935-4739, (800) 844-4739
LITTLE ROCK - C & W Tool Repair, 1303 W. Markham, 72201, (501) 374-1911
ROGERS - Kresel's Vacuum & Repair, 115 North 5th Street, 72756, (501) 636-7894
STUTTGART - Davis Lumber Company, 301 East Michigan, 72160, (501) 673-3601

CALIFORNIA

BAKERSFIELD - Southwest TV, 6300 White Lane, Suite B, 93309, (805) 397-4940
CONCORD - California Electric Service Center, 1170-G Burnett Avenue, 94520, (510) 827-1011
COVINA - California Electric Service Center, 612 Shoppers Lane, 91723, (818) 915-4935
DUBLIN - California Electric Service Center, 6759 Sierra Court, Suite B, 94568, (510) 551-3390

FONTANA - California Electric Service Center, 9794 Sierra Avenue, 92335, (909) 355-2500
FORT JONES - Ft. Jones Frontier Hardware, 11911 Main Street, 96032, (916) 468-2266
FRESNO - Valley Small Appliance, 4005 E. Ashlan Avenue, 93726, (209) 224-5530
FULLERTON - California Electric Service Center, 1208 E. Ash Avenue, 92631-5020, (714) 870-0900
LOS ALAMITOS - California Electric Service Center, 11284 Los Alamitos Blvd., 90720, (310) 430-2668
MERCED - Moosehead Electronics, 920 W. 18th Street, 95340, (209) 723-4712
MISSION VIEJO - California Electric Service Center, 23725 Via Fabricante, Unit B, 92691, (714) 586-9440
OAKLAND - California Electric Service Center, 1139 E. 12th Street, 94606, (510) 834-1050
OXNARD - Terry's Inc., The Clean-up Store, 1237 Saviers Road, 93033, (805) 487-9401, (800) 845-3223
PASADENA - California Electric Service Center, 2594 E. Colorado Blvd., 91107, (818) 792-3194
SACRAMENTO - California Electric Service Center, 1821 "Q" Street, 95814, (916) 443-5711
SAN CARLOS - California Electric Service Center, 990 Industrial Road, Suite 102, 94070, (415) 593-6696
SAN DIEGO - California Electric Service Center, 3430 El Cajon Blvd., 92104, (619) 283-6488

Authorized Service Centers

SAN FRANCISCO - California Electric Service Center, 1090 Bryant Street, 94103, (415) 431-8494

SAN JOSE - California Electric Service Center, 783 The Alameda, 95126, (408) 295-1723

SANTA ANA - California Electric Service Center, 2025 South Main Street, 92707, (714) 641-0529

SANTA ROSA - Hardisty's Inc., 710 Farmers Lane, 95405, (707) 545-0535

STOCKTON - California Electronics, 929 North Yosemite Street, 95203, (209) 466-5432

TEMECULA - California Electric Service Center, 41715 Enterprise Circle North, Suite 101, 92590, (909) 695-5445

VAN NUYS - California Electric Service Center, 14753 Oxnard Blvd., 91411, (818) 997-8855

WEST LOS ANGELES - California Electric Service Center, 2314 S. Westwood Blvd., 90064, (310) 475-2532

YUCAIPA - Aire-Rite Heating & A/C, 34724 Yucaipa Blvd., 92399, (909) 797-2788

COLORADO

COLORADO SPRINGS - Nelson Appliance Repair, Inc., 1220 E. Fillmore, 80907, (719) 635-1928

DENVER - Appliance Service, 4262 Lowell Blvd., 80211, (303) 458-1109, (800) 631-0941 (CO, WY only)

DENVER (ENGLEWOOD) - Appliance Service, 3932 S. Broadway, 80110, (303) 781-1227 (800) 553-1864

GRAND JUNCTION - V & L Appliance Service, 809 North Avenue, 81501, (970) 243-3360

CONNECTICUT

HARTFORD (BLOOMFIELD) - Philips Consumer Electronics, 1294 Blue Hills Avenue, 06002, (203) 726-9612, (800) 862-2225

HARTFORD - Hartford Element & Appliance Service, 1500 Albany Avenue, 06112, (860) 246-7424, (800) 787-7977

NEW HAVEN (HAMDEN) - New Haven Appliance Service Center, 1627 Dixwell Avenue, 06514, (203) 288-6229

SHELTON - Jeff's Appliance, Inc., 500A Howe Avenue, 06484, (203) 924-8997

STAMFORD - Appliance Servicenter of Stamford, 15 Cedar Heights Road, 06905, (203) 322-7656

WATERBURY - P.J. Appliance Repair, 935 South Main Street, 06706, (203) 757-1014

DELAWARE

DOVER - Del-Mar Appliance of Delaware, 230 South Governors Avenue, 19904, (302) 674-2414, (800) 858-3424

WILMINGTON - Lyons Hardware, Inc., 2021 Kirkwood Highway, 19805, (302) 995-1260

FLORIDA

ATLANTIC BEACH - First Coast Repair, 25 Seminole Road, 32233, (904) 246-4616

DELRAY - Mister Fix It, 209 S.E. 2nd Avenue, 33483, (407) 243-9999

GAINESVILLE - Authorized Appliance Service Co., 2614 S.W. 34th Street, 32608, (904) 375-3886

HIALEAH - S-O Service Co., 925 Hialeah Drive, 33010, (305) 887-6275

HOLLY HILL - Ormond Element, 1668 Ridgewood Avenue, 32117, (904) 677-3497

JACKSONVILLE - Authorized Appliance Service Co., 6120-5 Powers Avenue, 32217, (904) 737-5312

LAKE CITY - S&S Mowers Sales & Service, Route 10, Box 9161, Hwy 47 South & MacFarland Ave., 32055, (904) 755-9375

LAKELAND - Electric Shaver & Small Appliance, 4243 S. Florida Avenue, 33813, (813) 644-4690

NORTH FORT MYERS - Family Hardware, 13817 N. Cleveland Ave., 33903, (813) 995-6161

OCALA - Vacuums, Inc., 3535 S.E. Maricamp Road, #103, 34471, (904) 694-2247

ORLANDO - Philips Consumer Electronics, 2452 Sand Lake Road, 32809, (407) 857-8998, (800) 942-6128

ORLANDO - Pine Hills Appliance Svc. Co., 6100-4 W. Colonial Drive, 32808, (407) 299-1271

ORLANDO - Southern Electric Co., 510 N. Parramore Avenue, 32801, (407) 841-8824, (800) 940-8824

PANAMA CITY - Callaway Vacuum & Sewing, 221 N. Tyndall Pkwy., 32404, (904) 763-6333

PENSACOLA - Foster's Appliance Repair, 3836 North Davis Highway, 32503, (904) 432-8853

POMPANO BEACH - Authorized Appliance Service Co., 2171 N. Dixie Highway, 33060, (305) 941-2038

POMPANO BEACH - Philips Consumer Electronics, 2099 W. Atlantic Blvd., 33069, (305) 978-0467, (800) 635-6488

PORT ST. LUCIE - Hoppe's Authorized Vac & Appliance, 6735 S. Federal Way, 34592, (407) 464-0102

ROCKLEDGE - Neelco Do-It Center, 400 Barton Blvd., 32955, (407) 639-1400

SARASOTA - Sunray Small Appliances, 8371 N. Tamiami, 34243, (941) 358-9999, (800) 895-5655

SEBRING - Sebring Do-It Center, 305 U.S. 27 North, 33870, (813) 385-2785

SPRING HILL - Crowder Bros Hardware, 5350 Spring Hill Dr., 34606, (904) 686-4743

ST. PETERSBURG - Keystone Electric, 4604 Central Avenue, 33711, (813) 321-1124

STUART - Appliance Doctors, 3166 S.E. Dixie Highway, 34997, (407) 287-6437

SUNRISE - Muller Appliance Service, 2620 N. University Drive, 33322, (305) 749-5460

TALLAHASSEE - Prescott's Ace Hardware, 4831 Kerry Forest Parkway, 32308, (904) 668-3389

TAMPA - Authorized Appliance Service Co., Dibbs Plaza, 4119 Gunn Hwy., Unit 8, 33624, (813) 968-6638

VERO BEACH - Hoppe's Authorized Vac & Appliance, 1872 Commerce Avenue, 32960, (407) 562-4466

WEST PALM BEACH - Satisfaction TV Video Service, Inc., 1701-05 Kirk Road, 33406, (407) 439-3733

GEORGIA

ATLANTA - Georgia Service Center, 5366 Buford Hwy., 30340, (770) 455-1716, (800) 455-1715

ATLANTA (MARIETTA) - Philips Consumer Electronics, 200 N. Cobb Parkway, Bldg. #100, Suite 120, 30062, (770) 795-0085

AUGUSTA - A & A Appliance Parts & Service, 1708 Walton Way, 30904, (706) 733-5163

BRUNSWICK - Arco Hardware & Supply, 3711 Community Road, 31520, (912) 267-0771

COLUMBUS - Burrell's National Appliance Service, 1728 Warm Springs Road, 31904, (706) 327-0523

MACON - Capitol Cycle Company, 1090 Washington Avenue, 31201, (912) 745-3946

SAVANNAH - Hagins Appliance Service, 3 West Victory Drive, 31405, (912) 233-8372

TIFTON - Western Auto, 354 S. Main St., 31794, (912) 382-5767

HAWAII

HONOLULU - McCully Bicycle & Sporting Goods, 932 Hausten Street, 96826, (808) 946-1192

WAILUKU (MAUI) - Tom's Appliance Sales & Service, 891 Eha Street, 96793, (808) 244-6278

WAIPAHU - Waipahu Bicycle, 94-320 Depot Street, 96797, (808) 671-4091

IDAHO

BOISE - Boise Appliance, 1503 Main Street, 83702, (208) 343-0102

ILLINOIS

CHAMPAIGN - Appliance Parts & Service, 905 Francis, 61821, (217) 355-0220

CHICAGO - Chicagoland Bicycle, 10126 S. Western Ave., 60643, (312) 445-0811

CHICAGO (BERWYN) - Brand Service Center, 6739 West Cermak, 60402, (708) 749-4315

CHICAGO (DOWNER'S GROVE) - Authorized Appliance Service Co., 1644 W. Ogden Avenue, 60515, (708) 852-1550, (800) 829-1798

CHICAGO (MORTON GROVE) - Brand Service Center, Inc., 5618 Dempster Street, 60053, (708) 965-5900

JACKSONVILLE - Rexx Battery Specialists, 847 South Main Street, 62650, (217) 245-2713

NASHVILLE - Kesel Hardware, 173 West St. Louis, 62263, (618) 327-8957

NILES - Household Appliance Sales & Serv., 7411 N. Milwaukee Ave., 60714, (708) 647-8250, (800) 572-6826, Fax (708) 647-2214

PEORIA - Brand Service Center, 6926-I North University Street, Tanglewood Center, 61614, (309) 691-7588

ROCKFORD - Sun Appliance Sales & Service, 3112 N. Rockton Avenue, 61103, (815) 964-3866

SPRINGFIELD - Bannon Electronics, 1224 N. Franklin, 62702, (217) 523-0313

WAUKEGAN - Brand Service Center, 2850 Belvidere Road, 60085, (708) 244-5800

INDIANA

EVANSVILLE - Electro Hygiene Co., 1614 South Kentucky, 47714, (812) 425-2671

FT. WAYNE - Don's Hardware, 5701 Coventry Lane, in the Village of Coventry, 46804, (219) 436-2278

FT. WAYNE - Sun Appliance Service & Sales, 3523 N. Anthony Blvd., 46805, (219) 482-1702

HAMMOND - Brand Service Center, Inc., 6347 Indianapolis Blvd., 46320, (219) 844-0920

INDIANAPOLIS - Brand Service Center, 1827 N. Meridian Street, 46202, (317) 924-1386

INDIANAPOLIS - Sullivan Hardware Do-It Center, 7021 N. Keystone, 46220, (317) 255-9230

MUNCIE - Joe's Appliance Service, 4405 N. Old State Road 3, 47303, (317) 286-2896

NEW ALBANY - Wells Hardware, Inc., 1011 Vincennes Street, 47150, (812) 944-4523

SOUTH BEND - Ray's TV and Appliance, 60717 US 31 South, 46614, (219) 291-1630

SOUTH BEND (OSCEOLA) - AAA Appliance Service Co., 11868 Lincoln Way West, 46561, (219) 679-4981

TERRE HAUTE - Alex TV & Appliance Sales & Service, 924 South 8th Street, 47802, (812) 232-8786

IOWA

BETTENDORF - K & K True Value Hardware, 1818 Grant Street, 52722, (319) 359-4473

CEDAR RAPIDS - Stalker Electric, Inc., 110 3rd Ave. SW, 52404, (319) 364-5646

DES MOINES - Quality Appliance Repair Center, 1417 Walnut Street, 50309, (515) 288-0108

DUBUQUE - Shaver's Plus, 11 Bluff Street, 52001, (319) 556-4442

SIoux CITY - Millard Television Inc., 1419 Hamilton Blvd., 51103, (712) 258-3435

KANSAS

COLBY - Gavon's Electronics, 1870 South Range, 67701, (913) 462-6601

JUNCTION CITY - R/C Hobbies, 115 W. 7th Street, 66441, (913) 238-1877

KANSAS CITY (OVERLAND PARK) - Mar-Beck Appliance Service Co., 8471 West 95th Street, 66212, (913) 642-1557

WICHITA - Alan Appliance Service, Inc., 1300 E. Central, 67214, (316) 262-7228, (800) 290-7228

KENTUCKY

GREENVILLE - Malone Lumber Do-It Center, 204 W. Depot Street, 42345, (502) 338-3252

LExINGTON - Factory Electronics, 2422 Palumbo Drive, 40509, (606) 269-7341

LExINGTON (VERSAILLES) - Deaver's Hardware, 221 N. Main St., 40383, (606) 873-7396

LOUISVILLE - Maury's Fluorescent & Appliance Service, 1521 Bardstown Road, 40205, (502) 456-1671

MADISONVILLE - Kuester's Hardware, N. Main St., Martin Mall, 42431, (502) 825-2818

OWENSBORO - Kuester's Hardware, 1210 Carter Road, 42301, (502) 685-4916

PADUCAH - Hank Brothers True Value, 3101 Lone Oak Rd., 42003, (502) 554-4001

LOUISIANA

BATON ROUGE - Home Appliance Service, Inc., 10781 Florida Blvd., 70815, (504) 272-7727

LAFAYETTE - Cullen's Playland, 4498 Johnston Street, 70503, (318) 981-2929

LAKE CHARLES - Capitol Schwinn Cyclery, 722 E. Prien Lake Road, 70605, (318) 474-9090

NEW ORLEANS (METAIRIE) - Le Jouet, Inc., 1700 Airline Hwy., 70001, (504) 837-0533

SHREVEPORT - Shreveport Shaver and Appliance, 9750 St. Vincent, Burt Kouns Ind. Loop, 71106, (318) 865-5088, (800) 349-7722

WEST MONROE - West Monroe Small Appliance Repair, 1300 N. 7th Street, Suite F, 71291, (318) 323-5088

Authorized Service Centers

MAINE

BANGOR - Adco Surgical Supply Co., 1292 Hammond St., 04401, (207) 942-5273
PORTLAND - Colonial Electronics, Inc., 259 St. John Street, 04102, (207) 774-6666

MARYLAND

BALTIMORE (ELLICOTT CITY) - Clark Do-It Center, 10325 Baltimore National Pk., 21042, (410) 313-8100
BALTIMORE (TOWSON) - Duran Service Company, 8741 Mylander Lane, 21286, (410) 321-9033
EASTON - Easton Schwinn Cyclery, 723 Goldsboro Street, 21601, (410) 822-7433
GAITHERSBURG - Waters Appliance Service, 216 E. Diamond Avenue, 20877, (301) 258-7500, (800) 225-5009
SALISBURY - Cycle and Sports Outlet, 2505 N. Salisbury Blvd., 21801, (410) 860-0400
TANEYTOWN - MacHenry Services, 68 Frederick Street, 21787, (410) 756-6659, (800) 276-1301
WASHINGTON D.C. (BELTSVILLE) - Philips Consumer Electronics, 10800 Rhode Island Avenue, 20705, (301) 595-5330, (800) 438-9647

MASSACHUSETTS

BOSTON (MEDFIELD) - Wills Hardware, 5 Janes Avenue, 02052, (508) 359-4381
BOSTON (WALTHAM) - Suburban Appliance Service Center, Inc., 271 Moody Street, 02154, (617) 893-6694
QUINCY - Appliance Service and Parts, Inc., 582 Washington Street, Route 3A, 02169, (617) 773-6656
SALEM - Fix Master, Inc., 190 North Street, 01970, (508) 745-0004
SPRINGFIELD - Utility Electric Service, Inc., 810 Main Street, 01101, (413) 781-1635

MICHIGAN

ALMONT - Almont Hardware, 4545 Van Dyke, P.O. Box 511, 48003, (810) 798-8922
BAY CITY - Bay Vac & Pedal, 805 Columbus Ave., 48708, (517) 892-7516
DEARBORN - McNichols Electric Service, 1836 Grindley Park, 48124, (313) 563-7550
DETROIT - McNichols Electric Service, 13725 W. McNichols, 48235, (313) 342-6070, (800) 562-4226
DETROIT (ROYAL OAK) - McNichols Electric Service, 4115 West 13 Mile Road, 48072, (810) 288-5135
DETROIT (UTICA) - McNichols Electric Service, 49600 Van Dyke, 48317, (810) 726-8290
FLINT (DAVISON) - Gill-Roy's Hardware, 8405 East Davison, 48423, (810) 653-2288
FLINT (SWARTZ CREEK) - Gill-Roy's Hardware, 9061 Miller Road, 48473, (810) 635-2020
GRAND RAPIDS - Superior Appliance Service Co., 1050 Scribner Avenue, NW, 49504, (616) 459-3271
JACKSON - Hammond Hardware, 1800 Francis St., P.O. Box 7, 49204, (517) 782-0704
KALAMAZOO - Consumer Repair, 1710 West Main Street, 49007, (616) 344-1200
LANSING - Rapid Appliance Service, Inc., 1454 E. Michigan Avenue, 48912, (517) 485-1320
MIDLAND - Knopic's Do-It Center, 3128 Jefferson Ave., 48640, (517) 832-2774
TRAVERSE CITY - De Weese Hardware Inc., 1029 Carver Street, 49685, (616) 947-7670

MINNESOTA

DULUTH - Mr. Fix It - Metro Appl. Service Center, Inc., 2020 W. Superior St., 55806, (218) 722-9063
MINNEAPOLIS (ST. LOUIS PARK) - Barness, 4631 Excelsior Blvd., 55416, (612) 926-0521
ROCHESTER - Robert's Electronics, 611 6th Ave. NW, 55901, (507) 282-2140
ST. PAUL - Barness, 1573 University Avenue, 55104, (612) 646-3109

MISSISSIPPI

HATTIESBURG - Champion Cycle & Fitness, 104 S. 37th Avenue, 39401, (601) 264-8233, (800) 273-4158
IUKA - W. H. Fairless Hardware Co., Inc., 117 Fulton Street, 38852, (601) 423-2233, (800) 797-9457
JACKSON (RIDGELAND) - Propeller Service, 291 Hwy. 51, Suite D6, 39157, (601) 856-3191

MERIDIAN - Broadmoor Home Center, 2420 Old North Hills Street, P.O. Box 3280, 39305, (601) 483-7373
NATCHEZ - Western Auto, 180 Seargent Prentiss Dr., 39120, (601) 445-4186
STARKVILLE - East Mississippi Lumber Co., 300 Russell Street, 39759, (601) 323-3554

MISSOURI

INDEPENDENCE - Mar-Beck Appliance Service Co., 4476 South Noland Road, 64055, (816) 478-1889
KANSAS CITY - Mar-Beck Appliance Service Co., 303 W. 79th Street, 64114, (816) 523-6931
KANSAS CITY (GLADSTONE) - Mar-Beck Appliance Serv. Co., 6559 N. Oak Traffic Way, 64118, (816) 436-9191
POPLAR BLUFF - Mills Iron & Supply, 1919 S. Westwood Blvd., 63901, (314) 785-2628
SPRINGFIELD - Mar-Beck Appliance Service Co., 2704 S. Glenstone Avenue, 65804, (417) 882-3070
ST. LOUIS - Authorized Appliance, Inc., 2355 Hampton Avenue, 63139, (314) 647-4250
ST. LOUIS - Brand Service Center, Inc., 1624 S. Broadway, 63104, (314) 231-0751

MONTANA

BILLINGS - Radio Equipment Company, 1120 16th Street West, 59104, (406) 256-9778
GREAT FALLS - Arrowhead Electronics, Inc., 2026 2nd Avenue North, 59401, (406) 761-1666

NEBRASKA

GRAND ISLAND - Mundt's Small Appliance & Vacuum Repair, 1822 W. Northfront Street, 68803, (308) 382-5084
LINCOLN - CB Small Appliance, 432 South 11th Street, 68508, (402) 475-2546
LINCOLN - Sperry TV, 1115 North 47th St., 68503, (402) 464-9181
LINCOLN - Sperry TV, 2013 Highway 2, 68502, (402) 464-9181
NORTH PLATTE - Sperry TV, 1855 West A Street, Westfield Shopping Center, 69010, (308) 532-5200
OMAHA - Myers Electric Co., 7571 Dodge Street, 68114, (402) 393-8388, (800) 234-1414
OMAHA - Myers Electric Co., Inc., 1458 South 16th Street, 68108, (402) 342-7710

NEVADA

LAS VEGAS - Burney's Commercial Service, Inc., 4480 Aldebaran Avenue, 89103, (702) 736-0006
MINDEN - Valley Home & Sport Center, 1587 Highway 395, 89423, (702) 782-5111

NEW HAMPSHIRE

CONCORD (BOW) - Casco Food Equipment Service, 10 Dunklee, 03304, (603) 224-2663, (800) 660-2058

NEW JERSEY

HAWTHORNE - Ter Kulle, Inc., 206 Diamond Bridge Avenue, 07506, (201) 423-1142
HIGHLAND PARK - Dash Electronics, 10 N. 2nd Street, 08904, (908) 247-5124
HOWELL - South Jersey TV Service, Inc., 4232 Rt. 9 South, 07731, (908) 363-5550, (800) 244-3094
OCEAN - South Jersey TV Service, Inc., 1719 Route 35, 07712, (908) 531-3565
SICKLERVILLE - Sicklerville Hardware, 540 Williamstown Road, 08081, (609) 728-3800
TOMS RIVER - South Jersey TV Service, Inc., Stella Towne Center, 1258 Route 166, 08753, (908) 505-1771
TOTOWA - Philips Consumer Electronics, 140J Commerce Way, 07512, (201) 890-7200, (800) 276-9933
TRENTON - Tattersall, Inc., 309 N. Willow Street, 08618, (609) 393-4293

NEW MEXICO

ALBUQUERQUE - Appliance Service Center, 5505 Silver Avenue, SE, 87108, (505) 265-7774
CLOVIS - Burns Hardware, 1511 N. Prince, 88101, (505) 769-2528

NEW YORK

BAYSHORE, L.I. - Turnpike Appliance of Suffolk, Inc., 1253 Sunrise Highway, 11706, (516) 665-8311
BINGHAMTON - Hardware Fare DO-IT Center, 1139 Front Street, Nimmonsburg Square, 13905, (607) 722-9202

BUFFALO - Buffalo Appliance Repair Center, Inc., 20 Pannell Street, 14214, (716) 833-4677
BUFFALO (WILLIAMSVILLE) - Hector's Hardware, 876 Maple Road, 14221, (716) 688-4488
COMMACK, L.I. - Turnpike Appliance Service, 6181 Jericho Turnpike, 11725, (516) 499-3355
ELMIRA - Capabilities, Inc., 1149 Sullivan Street, 14901, (607) 734-2006
GREAT NECK - Turnpike Appliance Service Center, 45 Northern Boulevard, 11021, (516) 466-0644
HUDSON - Sweeps Vacuum & Repair Center, Inc., 705 Warren Street, 12534, (518) 828-5457
PEEKSKILL - Clark Appliance & Vacuum Service Corp., 950 Main Street, 10566, (914) 737-1368, (800) 765-0649
POUGHKEEPSIE - S & S Appliance Sales & Service, 390 Violet Avenue, 12601, (914) 452-6122
RICHMOND HILL - Lockdoctor Locksmiths, 104-37 Atlantic Ave., 11418 (718) 441-6242
ROCHESTER - Benfante Appliance Service, 1286 Mt. Hope Avenue, 14620, (716) 473-8765
SEA CLIFF, L.I. - Shabra Electronics, 400 Glen Cove Avenue, 11579, (516) 671-2218
STATEN ISLAND - Springstead Lumber 6232, 4255 Amboy Road, 10308, (718) 984-0300
SYRACUSE - County Wide Appliance, 1001 N. State Street, 13208, (315) 479-5253, (800) 333-3243
TUCKAHOE - Authorized Appliance of Westchester, 26 Columbus Ave., 10707, (914) 961-8011
UTICA - Oneida Bicycle & Sports Center, 2107 Whitesboro St., 13502, (315) 724-6084
WARWICK - Wadeson Home Center, 60 Forester Avenue, 10990, (914) 986-2215, (800) 982-2215 (NY only)
W. HEMPSTEAD L.I. - Turnpike Appliance Service, 86 Hempstead Turnpike, 11552, (516) 486-5700, (800) 628-3911

NORTH CAROLINA

ASHEVILLE - Skyland Hardware, 3179 Sweeten Creek Road, 28803, (704) 684-0308
CHARLOTTE - Authorized Appliance Servicer, 1020 Tuckaseegee Road, 28208, (704) 377-4501, (800) 532-6127
CLINTON - Danny's Service Center, 119 Vance Street, 28328, (910) 592-3200
ELIZABETH CITY - Coastal Office Equipment Co., 501 East Church Street, 27909, (919) 335-2927
GREENSBORO - Greensboro Shaver & Appliance, 414 North Eugene Street, 27401, (910) 273-1065, (800) 200-4855
HICKORY - First Flight Bicycles, 2435 N. Center Street, 28601, (704) 324-9350
RALEIGH - Authorized Appliance Service Center, 800 North Person Street, 27604, (919) 834-3476
STATESVILLE - First Flight Bicycles, 216 S. Center St., 28677, (704) 878-9683
WILMINGTON - D.C. Electric Co., 102 Eastwood Road, Ste. D-9, 28403, (910) 392-5784, (800) 280-5784
WINSTON-SALEM - Authorized Appliance Servicer, 904 South Marshall Street, 27117, (910) 725-5396

NORTH DAKOTA

FARGO - General Parts & Supply Co., 10 S. 18th Street, 58103, (701) 235-4161, (800) 279-9987

OHIO

AKRON - Advanced Appliance Service Company, 73 W. Exchange Street, 44308, (216) 762-8968
CANTON - Appliance Parts Co., 1267 Dueber Avenue, SW, 44706, (216) 453-8077
CINCINNATI - H&S Service, 458 Cincinnati Batavia Pike, 45244, (513) 528-0808 (800) 344-4210
CINCINNATI (CHEVIOT) - Brand Service Center, 3806 North Bend Road, 45211, (513) 661-1615
CINCINNATI (SILVERTON) - Brand Service Center, Inc., 6944 Plainfield Road, 45236, (513) 793-1170
CLEVELAND - Majors Appliance, 5845 Turney Road, 44125, (216) 663-4650
CLEVELAND (MENTOR) - Lake Erie Lawn & Garden, 7833 Munson Rd., 44060, (216) 257-9000
CLEVELAND (PARMA) - Majors Appliance, 5785 Ridge Road, 44129, (216) 884-7200

Authorized Service Centers

CLEVELAND (WESTLAKE) - Philips Consumer Electronics, 24090 Detroit Avenue, 44145, (216) 899-2040, (800) 331-7037

COLUMBUS - Philips Consumer Electronics, 6333 Busch Blvd., 43229, (614) 781-2605

DAYTON - Layer Electric, 603 South Ludlow Street, 45402, (513) 224-9608

DAYTON (NEW CARLISLE) - Hess Hardware Do-It Center, 3300 South Dayton Lakeview Rd., 45344, (513) 849-1306, (800) 786-1308

LIMA - Crouse Lumber Do-It Center, 333 E. Market Street, 45801, (419) 229-9070, (800) 826-9663

NEW BOSTON - True Value Toy Town, Rt. 52 & 139, 45662, (614) 456-5704

STRYKER - Short's Hardware, 115 N. Depot Street, 43557, (419) 682-4231

TOLEDO - Broadway Sales and Appliance Repair, 1621 Broadway, 43609, (419) 241-9731, (800) 436-5415

YOUNGSTOWN - O'Connor's, 3224 Market Street, 44507, (216) 782-4705

OKLAHOMA

OKLAHOMA CITY - Brand Service Center, 538 N. Pennsylvania Avenue, 73107, (405) 235-0583

TULSA - H.L. Moss, Inc., 1714 E. 15th Street, 74104, (918) 744-1305, (800) 248-5948

OREGON

PORTLAND - Oregon Appliance 2137 East Burnside Street, 97214, (503) 235-6681,

PENNSYLVANIA

ALTOONA - Frye's Sweeper & Sewing Center, Inc., 1400 Valley View Boulevard, 16602, (814) 943-5001, (800) 640-1308

HARRISBURG - C.A. Juillard, Inc., 2301 North Seventh Street, 17110, (717) 233-3488, (800) 633-3488

JOHNSTOWN - Cambria True Value Hardware, West Hills Square, Goucher Street, 15905, (814) 255-4752

KINGSTON - Vac-Way Appliance & Service, 595 Market Street, 18704, (717) 288-4508

MOSCOW - Vac-Way Appliance & Service, RR #6 Box 6237, 18444, (717) 842-4668

MOSCOW - Vac-Way Appliance & Service, RR #6 Box 6237, 18444, (717) 842-4668

ORANGEVILLE - Hess Do-It Center & Market, Route 487, Box 4 M, 17859, (717) 683-5162

PHILADELPHIA - Appliance Care/Service Corp., 6407 Rising Sun Ave., 19111, (215) 725-3112

PHILADELPHIA (COLLINGDALE) - J.F. Kenney Electric, 920 MacDade Boulevard, 19023, (610) 534-7373

PITTSBURGH - Ferry Electric Service Co., 7498 McKnight Road, 15237, (412) 364-3403

PITTSBURGH - Ferry Electric Service Co., 140 Clairton Blvd., 15236, (412) 653-6004

READING - Electric Repair Co., 502-504 North 9th Street, 19604, (610) 376-5444, (800) 422-8171 (PA only)

SCRANTON - Vac-Way Appliance and Service, 601 Cedar Avenue, 18505, (717) 343-1121

SHAMOKIN DAM - Willard Battery Outlet, 138 S. Old Trail, 17876, (717) 743-5383

TROY - Hoover hardware, 9 Canton, 16947, (800) 251-2156, (717) 297-3445

WASHINGTON - Murphy Family Inc., 585 East National Pike, 15301, (412) 225-0324

WILKES-BARRE - Walter Hardware DO-IT Center, 57 N. Welles Street, 18702, (717) 823-1406

YORK - Parcel Plus, 2549 E. Market Street, York Market Place, 17402, (717) 757-1875

PUERTO RICO

HATILLO - Tropical Parts Service, P.O. Box 1335, Road 130 KM 8.5, 00659, (809) 898-6474

MAYAGUEZ - Cardona Appliance Service, 8 San Vicente St., 00680, (809) 832-8366

MAYAGUEZ - Melendez Home Appliance Repair, Calle Post 319 Sur, 00680, (809) 832-5225

PONCE - Ferreteria Vivian, Centro Comercial, Los Caobos #7, 00731, (809) 840-0677

PUERTO NUEVO - Buckeye Service, 1013 Jesus T. Pinero Avenue, 00920, (809) 782-6175

RHODE ISLAND

PROVIDENCE - Marshall Electric Co., 200 Broad Street, 02903, (401) 331-4482

SOUTH CAROLINA

CHARLESTON HEIGHTS - Dorchester Electric Service, 3575 Dorchester Avenue, 29405, (803) 747-5221

COLUMBIA - Authorized Appliance Servicenter, 1811 Taylor Street, 29202, (803) 254-8414

FLORENCE - The Hobby Center of Florence, 919-C South Cashua, 29501, (803) 664-9226

GREENWOOD - Bikes & Boards & Mopeds, 203A Montague Avenue, 29646, (803) 229-2453

SENECA - Seneca Micronics, 110 East North First, 29678, (803) 882-6580

SPARTANBURG - Boiling Springs Hardware, 3124 Boiling Springs Rd, 29303, (803) 578-1852

VARNVILLE - P&S Small Engine & Variety Shop, 105 Carolina Avenue, West, 29944, (803) 943-9141

TENNESSEE

CHATTANOOGA - Light Electric Co., 732 East 11th Street, 37403, (615) 267-9224

KNOXVILLE - Authorized Appliance Service Center, 1206 North Central Street, 37917, (615) 524-3376

KNOXVILLE - Philips Consumer Electronics, 6700 D Papermill Road, Papermill Plaza, 37919, (615) 584-6614, (800) 821-1767

MEMPHIS - Camp Electric Co., 647 Madison Avenue, 38103, (901) 527-7543, (800) 238-7345

NASHVILLE - Webb's Appliance Service Center, Inc., 1519 Church Street, 37203, (615) 329-4079, (800) 899-4079

TEXAS

ABILENE - Metro Small Appliance Service Co., 141 S. Clyde, 79605, (915) 672-1853

AMARILLO - Reid's Appliance Service, Inc., 906 Georgia, 79102, (806) 373-8812

ANTHONY - Villarreal & Sons Elec., 512 S. Third Street, 79821, (915) 886-3362

AUSTIN - Harrell Supply and Service, Inc., 5435 Burnet Road, 78756, (512) 451-6464, (800) 332-7250 (TX only)

AUSTIN - Harrell Supply and Service, Inc., 1409 West Oltorf, 78704, (512) 442-5966

AUSTIN (ROUND ROCK) - Harrell Supply, 907c Interstate Highway 35, 78664, (512) 388-0866

CORPUS CHRISTI - Brand Service Center, 2751 S. Staples Street, 78404, (512) 854-1851

DALLAS - Pearsol Appliance Co., 3127 Main Street, 75226, (214) 939-0930

DALLAS - All Type Sales and Service Co., Inc., 2835 Irving Blvd., 75207, (214) 638-1170, (800) 717-1170

DALLAS (GARLAND) - Pearsol Appliance Co., 2406 South Jupiter Road, 75041, (214) 840-0622, (800) 527-7385

FT. WORTH - Ft. Worth Shaver and Appliance Center, 1012 West 7th Street, 76102, (817) 335-9970

HOUSTON - Brand Service Center, 5727 Richmond Avenue, 77057, (713) 782-8910, (800) 705-2929

HOUSTON - Brand Service Center, 1970 FM 1960, 77090, (713) 537-7795

LAREDO - Rubio Electric, 1719 San Bernardo, 78040, (210) 722-3908

LONGVIEW - Toys and Things, 918 NW Loop 281, 75604, (903) 759-3939

LUBBOCK - Minter's, 4409 50th Street, 79414, (806) 799-3170

LUFKIN - STS Audio and Video, 1505 South First Street, 75901, (409) 639-4529

MC ALLEN - All-In-One Repair Shop, 2313 Lark Avenue, 78504, (210) 682-8858

MIDLAND - Midland Tool Specialty, 918 South Main, 79701, (915) 682-4647, (800) 499-0755

PASADENA - Larry's TV Service, 3520 Fairmont Parkway, 77504, (713) 998-0122, (800) 244-0281

ROMA - True Value Hardware, 1004 E. Highway 83, (210) 849-1322

SAN ANTONIO - Brand Service Center, 7065 San Pedro Avenue, 78216, (210) 344-8577

SEYMOUR - Western Auto, 211 N. Main Street, 76308, (817) 888-3980

TEMPLE - Master Tech Repairs, 2819 West Avenue North, 76504, (817) 773-8991

WICHITA FALLS - Burke's Appliance Service, 2410 10th Street, 76309, (817) 723-6211

UTAH

OREM - The Mending Shed, 1735 South State Street, 84058, (801) 225-8012, (800) 339-9297

SALT LAKE CITY - Appliance Service Center, Inc., 210 East 6th South, 84111, (801) 328-9703

VERMONT

RUTLAND - Appliance Service Center Ltd., 152 Woodstock Avenue, 05701, (802) 773-8917

VIRGINIA

HARRISONBURG (PENN LAIRD) - J.L. Maintenance & Repair, Inc., Route 1, Box 183, 22846, (703) 289-9844, (800) 296-9844

NEWPORT NEWS - Commonwealth Electric Shaver Sales & Service, Inc., 10105 Jefferson Ave., 23605, (804) 595-6712

NORFOLK - Commonwealth Electric Shaver Sales & Service, Inc., 6612 E. Virginia Beach Blvd., 23502, (804) 461-4475

ROANOKE - Commonwealth Shaver & Appliance Service, 5524 Williamson Road, NW, 24012, (540) 366-6038

VIENNA - Appliance Fix-It, 8455 Tyco Road, 22182, (703) 893-1234

WINCHESTER - Battery Mart of Winchester, Inc., 1 Battery Dr., 22601, (703) 655-0065

WOODBIDGE - Baker's Appliance, 13314 Occoquan Road, 22191, (703) 690-3214

WASHINGTON

SEATTLE - Ajax Electric, 2911 First Avenue South, 98134, (206) 622-9945

SEATTLE (BELLEVUE) - Action Small Appliance Service, 1500 145th Place, SE, 98007, (206) 643-9806

SPOKANE - SPARCO, West 45 2nd Avenue, 99204, (509) 624-8965

SPOKANE - SPARCO, N. 1119 Pines Rd., 99206, (509) 922-9666

WEST VIRGINIA

BECKLEY - Jerry's Detectors, Vacuum & Appl. Svc., 411 Second Street, 25801, (304) 253-3521

CHARLESTON - Sneed's Vacuum & Sewing Center, 2614 7th Avenue, 25312, (304) 744-3670, (800) 245-8048 (WV only)

HARRISVILLE - Western Auto, 1107 E. Main St., 26362, (304) 643-2226

HUNTINGTON - Mike's Appliance and Service, 212 20th Street, 25703, (304) 522-0737, (800) 244-9152

MARTINSBURG - Battery Mart, 1161-3 Winchester Avenue, 25401, (304) 267-7033, (800) 464-7918

WHEELING - Fast Service Center, 1058 Main Street, 26003, (304) 232-5561 (800) 874-4090

WISCONSIN

APPLETON - G/Tech Electric Tool & Housewares Service, 600 W. College Ave., 54911, (414) 739-6064, (800) 400-6064

GREENBAY - Kastle Carts, Inc., 2301 N. Irwin Ave., 54313, (414) 465-6121

LACROSSE - Paul's Shaver Service, 1224 Caledonia Street, 54603, (608) 782-6291

MADISON (MONONA) - Kiefer's Shaver and Appliance, 4511 Monona Drive, 53716, (608) 221-3322

MAUMETTE - Della Do-It Center, W 1536 Highway 41, 54143, (715) 732-1768

MILWAUKEE - Brand Service Center, 3707 North 92nd Street, 53222, (414) 461-0440

MILWAUKEE - Brand Service Center, 6000 W. Oklahoma Street, 53219, (414) 541-4340



Jeep® Adventure Team

FOR MODEL 74450

Questions? Please call Consumer Affairs toll-free at 1-800-348-0751.

JEEP and the Jeep grille design are registered trademarks of CHRYSLER CORPORATION U.S.A. used under license.
©CHRYSLER CORPORATION 1995.

Goodyear (and winged foot design) and Wrangler (for tires) are trademarks of The Goodyear Tire & Rubber Company, used with permission.

©1996 Fisher-Price, Inc., East Aurora, New York 14052 - All Rights Reserved

US Patent Nos. 4,555,451; 4,558,263; 5,051,550; 5,319,996