

This Owner's Manual is provided and hosted by [Appliance Factory Parts](#).



# FRIEDRICH KM18L30-B Owner's Manual

[Shop genuine replacement parts for FRIEDRICH  
KM18L30-B](#)



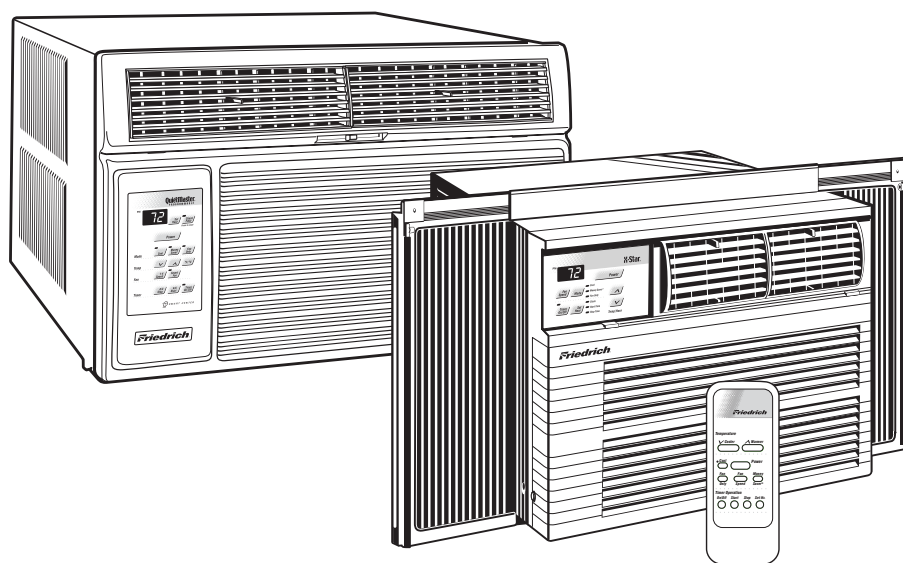
[Find Your FRIEDRICH Air Conditioner Parts - Select From 1575 Models](#)

----- Manual continues below -----

# **Friedrich**

## *2007 Parts Manual*

### **Room Air Conditioners**



---

## **TABLE OF CONTENTS**

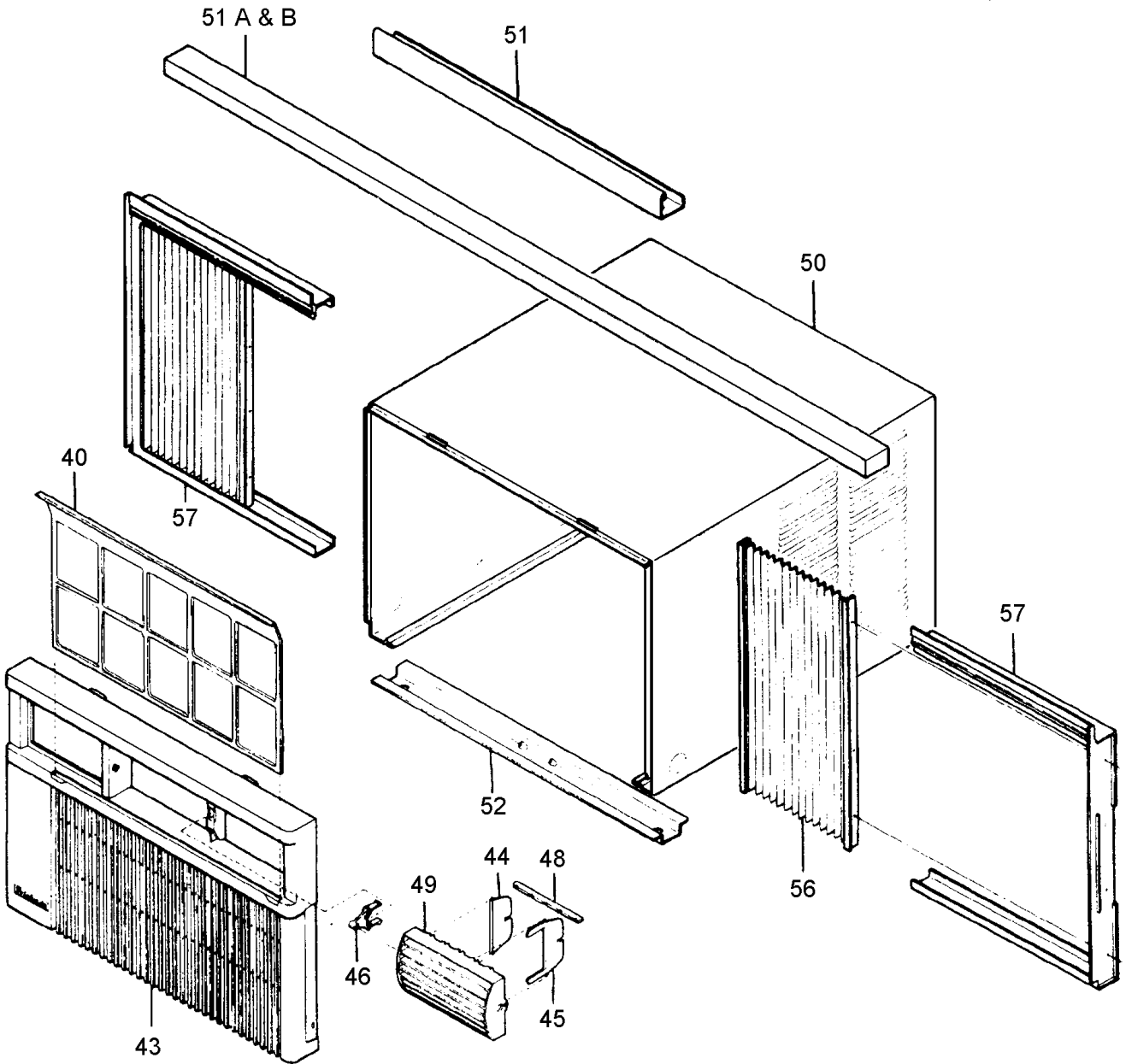
PORTABLE "Q" SERIES UNITS .....	4-8
SMALL CHASSIS "S" SERIES UNITS (115 & 230 VOLT) .....	9-16
MEDIUM CHASSIS "M" SERIES UNITS (115 & 230 VOLT).....	17-21
LARGE CHASSIS "L" SERIES UNITS .....	22-25



# PORTABLE "Q" SERIES

## CABINET PARTS

NOTE: Items 51, 56 and 57 are not included with the "YQ" unit.



## PORTABLE "Q" SERIES

REF	DESCRIPTION	PART NO.	XQ						EQ	YQ		CODE	
			XQ05L10A-A	XQ05L10A-B	XQ06L10A-B	XQ08L10A-A	XQ10L10A-A	XQ12L10A-A	EQ08L11A-A	YQ07L10A-A	YQ07L10A-B		
	<b>ELECTRICAL PARTS</b>												
1	THERMOSTAT	61828401									1	1	120
1	THERMOSTAT	61822401							1				120
2	THERMOSTAT, DEFROST	60442500								1	1		122
3	ELECTRONIC BOARD	61921192	1	1	1	1	1	1					340
*	REMOTE CONTROL	61826606	1	1	1	1	1	1					350
*	RESISTOR	61900500							1	1	1		200
4	OVERLOAD	61764528						1					190
4	OVERLOAD	61764539	1	1	1								190
4	OVERLOAD	61764519					1						190
4	OVERLOAD	61764507				1			1	1	1		190
5	CAPACITOR	61080570						1					150
5	CAPACITOR	61080550	1	1	1	1			1	1	1		150
5	CAPACITOR	61080528					1						150
6	SUPPLY CORD	60500330	1	1	1	1	1	1	1	1	1	1	220
7	SWITCH ROTARY 6 POS	60441607									1	1	130
7	SWITCH ROTARY 6 POS	60441610							1				130
*	HEATER	61929611							1				193
9	FAN MOTOR	61871468						1					110
9	FAN MOTOR	61871451	1	1	1	1	1						110
9	FAN MOTOR	61871452							1	1	1		110
9A	SOLENOID, REV. VALVE	25063505										1	240
*	SOLENOID and REVERSING VALVE	25022022									1		240
	<b>REFRIGERATION PARTS</b>												
10	COMPRESSOR	61562832				1			1	1	1		600
10	COMPRESSOR	61716671					1						600
10	COMPRESSOR	61985100			1								600
10	COMPRESSOR	61985101	1	1									600
10	COMPRESSOR	61716670						1					600
11	EVAPORATOR COIL	61600257			1					1			400
11	EVAPORATOR COIL	61600258				1			1		1		400
11	EVAPORATOR COIL	61600268	1	1									400
11	EVAPORATOR COIL	62050018					1						400
11	EVAPORATOR COIL	62050020						1					400
12	CONDENSER COIL	61600352	1										410
12	CONDENSER COIL	61600519		1	1	1			1		1		410
12	CONDENSER COIL	62050319					1						410
12	CONDENSER COIL	61600515								1			410
12	CONDENSER COIL	62103404						1					410
*	DRIER, LIQUID	61481300	1	1	1	1	1	1	1				480
*	DRIER, SUCTION	61828200									1	1	480
13	CHECK VALVE	61824400									1	1	510
14	REVERSING VALVE	25018305										1	500
*	SOLENOID and REVERSING VALVE	25022022									1		500
15	CAPILLARY TUBE	03760473						1					471
15	CAPILLARY TUBE	03760520					1						471
15	CAPILLARY TUBE	03760545	1	1	1							1-HTG	471
15	CAPILLARY TUBE	03760513				1			1				471
15	CAPILLARY TUBE (HTG)	03760500									1		471
15	CAPILLARY TUBE (CLG)	03760554									1	1	471

\* PARTS NOT SHOWN

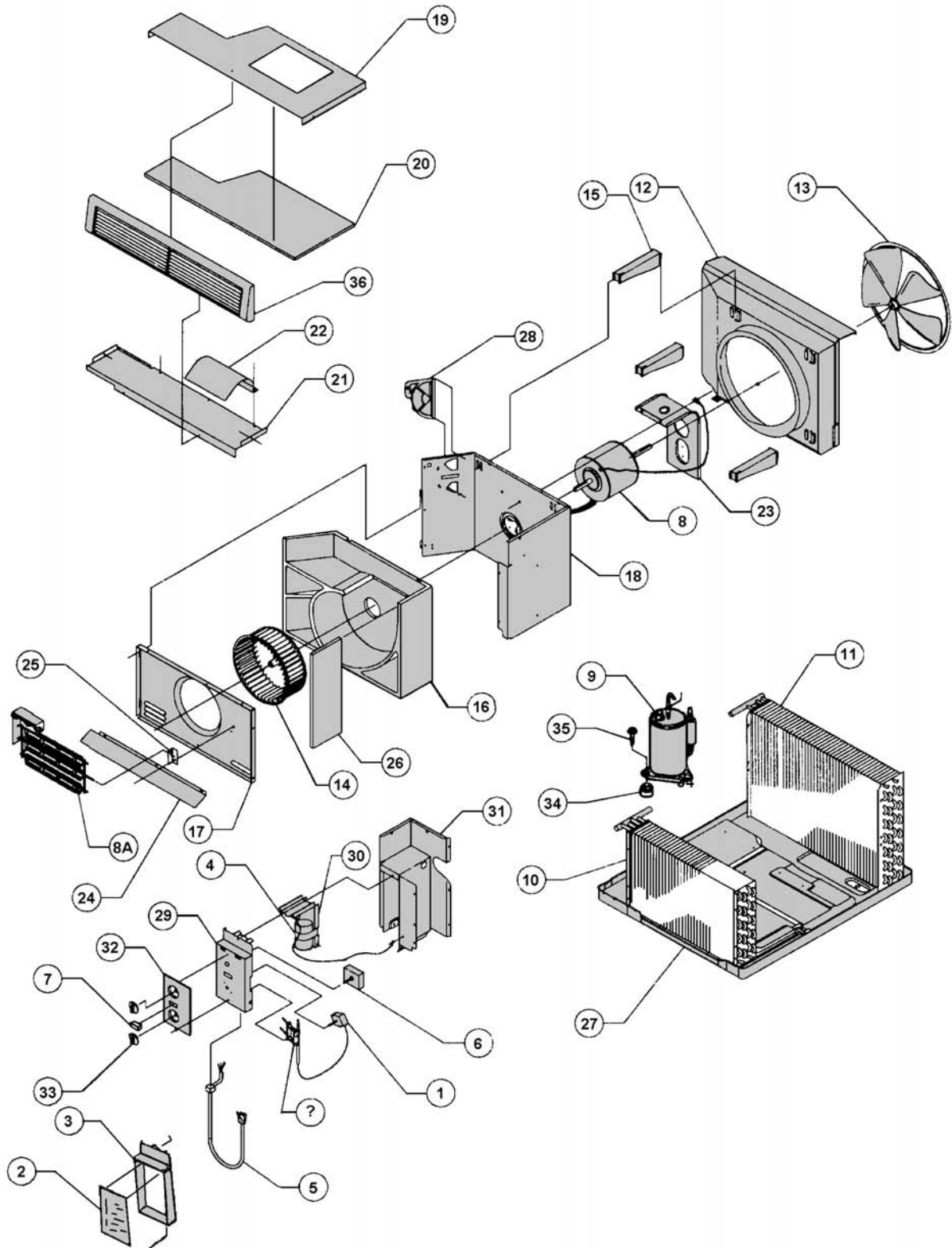
## PORTABLE "Q" SERIES

REF	DESCRIPTION	PART NO.	XQ						EQ	YQ		CODE
			XQ05L10A-A	XQ05L10A-B	XQ06L10A-B	XQ08L10A-A	XQ10L10A-A	XQ12L10A-A	EQ08L11A-A	YQ07L10A-A	YQ07L10A-B	
<b>CHASSIS PARTS</b>												
16	SHROUD, CONDENSER	61627601	1	1	1	1	1	1	1	1	1	720
17	FAN BLADE	61634000						1				710
17	FAN BLADE	61634001	1	1	1	1	1	1	1	1	1	710
18	BLOWER WHEEL	60610604						1				700
18	BLOWER WHEEL	60610606	1	1	1					1	1	700
18	BLOWER WHEEL	60610612				1	1		1			700
20	COVER BLOWER	61619513	1	1	1	1	1		1	1	1	745
20	COVER BLOWER	61619517						1				745
21	WRAPPER, SCROLL,	61990605	1	1	1	1	1	1	1	1	1	741
22	FRONT, BLOWER	61928801							1			742
22	FRONT, BLOWER	61990700	1	1	1	1	1	1		1	1	742
23	DECK, BLOWER	61619405							1			745
23	DECK, BLOWER	61990500	1	1	1	1	1	1		1	1	745
28	BASE PAN	61626312	1	1	1	1				1	1	730
28	BASE PAN	61626313					1	1				730
28	BASE PAN	61626314							1			730
29	COVER, UNIT TOP	61619513	1	1	1	1	1	1	1	1	1	746
30	DRAIN PAN, EVAP.	61638400	1	1	1	1	1	1	1	1	1	840
32	INNER WALL	61597317	1	1	1	1	1	1				777
32	INNER WALL	61597316								1	1	777
32	INNER WALL	61597318							1			777
33	FAN MOTOR MOUNT	61776900						1				900
33	FAN MOTOR MOUNT	61776903	1	1	1	1	1	1	1	1	1	900
*	SCREW, FAN MTR. MT.	21004672	4	4	4	4	4	4	4	4	4	999
34	CONTROL MT. BRACKET	61619612							1	1	1	763
34	CONTROL MT. BRACKET	61923901	1	1	1	1	1	1				763
37	CONTROL DEC. PANEL	61715921							1	1	1	760
38	PANEL ASSLY, L/S	61924300					1	1				765
38	PANEL ASSLY, L/S	61924900	1	1	1	1			1	1	1	765
39	CONTROL KNOBS	61911605							2	2	2	761
*	HOLDER, TSTAT BULB	61900500							1	1	1	764
*	HOLDER, THERMISTER	61925001	1	1	1	1	1	1				764
40	FILTER, AIR	61632315	1	1	1	1	1	1	1	1	1	754
*	LINK EXHAUST DOOR	61639301	1	1	1	1	1	1				811
*	EXHAUST DOOR	61632202	1	1	1	1	1	1				810
*	WIRE CLIP, EXHAUST	60301800	1	1	1	1	1	1				999
*	SLIDE EXHAUST DOOR	61923802	1	1	1	1	1	1				999
43	FRONT, DECORATIVE	61637716	1	1	1	1	1	1	1	1	1	750
50	SHELL, OUTER ASSY	61623001	1	1	1	1	1	1	1	1	1	720
51	ANGLE, TOP SUPPORT	61627313	1	1	1	1	1	1				999
52	CHANNEL, SILL	61627211	1	1	1	1	1	1	1	1	1	999
*	SCRIPT, FRIEDRICH	60169110	1	1	1	1	1	1	1	1	1	999
51A	GASKET, CHASSIS SEAL	61717300	1	1	1	1	1	1	1	1	1	780
51B	GASKET, WINDOW SEAL	60073300	1	1	1	1	1	1				780
*	BAG ASSLY (SCREWS)	61778700	1	1	1	1	1	1				999
*	BAG ASSLY (SCREWS)	61778701							1	1	1	999
*	COUNTER WEIGHT	61715800	2	2	2	2	1	1	2	2	2	999
*	SEAL, FAN MOTOR	60217902	1	1	1	1	1	1	1	1	1	780
52	GROMMET, COMP. MT.	61028900	3	3	3	3	3	3	3	3	3	790
53	SCREW, COMP. MT.	91400400	3	3	3	3	3	3	3	3	3	999
56	CURTAIN ASSLY.	61680205	1	1	1	1	1	1				999
*	CARTON, SHIPPING	61841918	1	1	1	1	1	1	1	1	1	999
*	PAD SHIPPING TOP	61769700	1	1	1	1	1	1	1	1	1	999
*	PAD SHIPPING BOTTOM	61716400	1	1	1	1	1	1	1	1	1	999
<b>OPTIONAL ACCESSORIES</b>												
*	ANTI-ICE KIT	61680600							1	1	1	
*	START ASSIST (PTCR)	61008903	1	1	1	1	1	1	1	1	1	
*	DRAIN KIT, DC-2	01900235	1	1	1	1	1	1	1	1	1	

\* PARTS NOT SHOWN

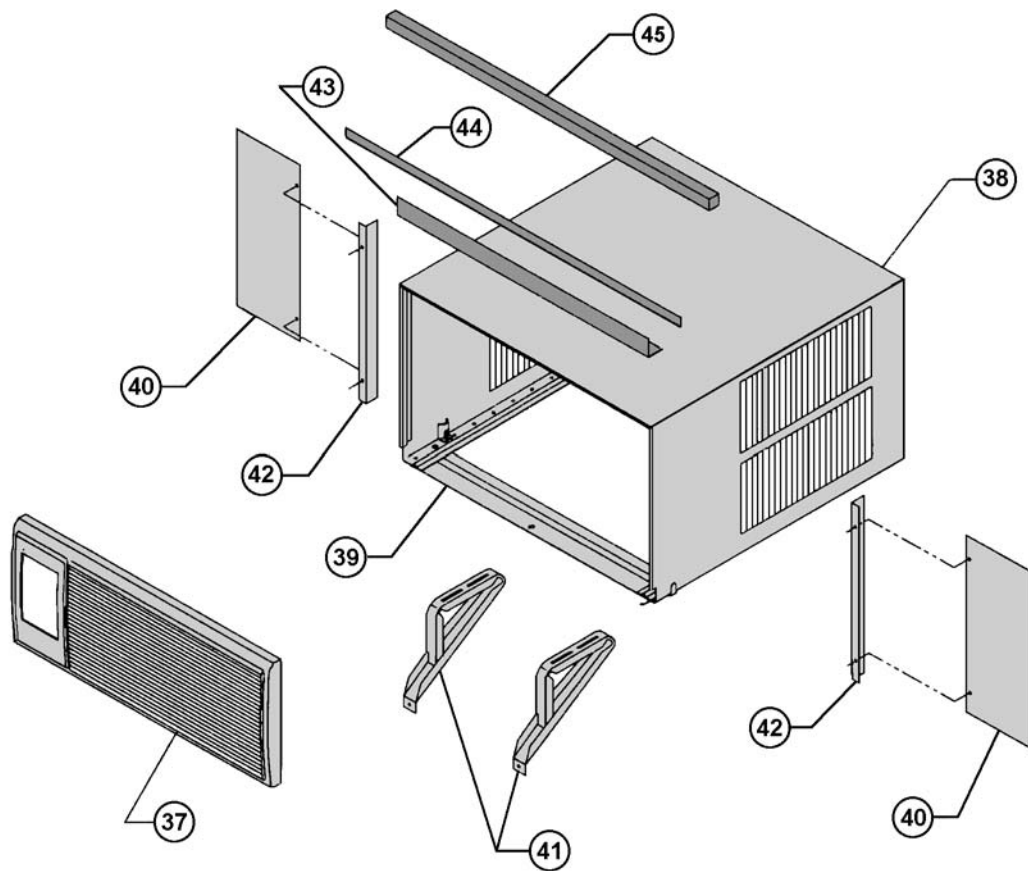
# SMALL CHASSIS "S" SERIES

## CHASSIS PARTS (ES, SS & YS)



## SMALL CHASSIS "S" SERIES

### CHASSIS PARTS (ES, SS & YS)



## SMALL CHASSIS "S" SERIES - 115V

REF	DESCRIPTION	PART NO.	KS			SS					YS		CODE
			KS12L10-C	KS12L10-D	KS15L10-B	SS08L10-C	SS08L10-D	SS10L10-C	SS12L10-D	SS14L10-C	YS09L10-D	YS09L10-E	
	<b>ELECTRICAL PARTS</b>												
1	THERMOSTAT	61828500	1	1	1								120
1	THERMOSTAT	61828400									1	1	120
*	THERMOSTAT, DEFROST	61350314									1	1	122
2	ELECTRONIC CTRL.	61921193				1	1	1	1	1			331
*	REMOTE CONTROL	61826606				1	1	1	1	1			350
3	RESISTOR	61808000	1	1	1						1	1	200
*	OVERLOAD	61764519	1	1				1	1		1	1	190
*	OVERLOAD	61764544			1					1			190
*	OVERLOAD	61764507				1	1						190
4	CAPACITOR	61080535				1	1				1	1	150
4	CAPACITOR	61080554						1					150
4	CAPACITOR	61080569	1	1	1				1	1			150
5	SUPPLY CORD	60500321	1	1	1	1	1	1	1	1	1	1	220
6	SWITCH SYS. 6 POS.	60607205	1	1	1								130
6	SWITCH SYS. 8 POS.	60607204									1	1	130
7	SWITCH (YES - NO)	61806105	1	1	1						1	1	132
8	FAN MOTOR	61871444	1	1	1	1	1	1	1	1	1	1	110
*	SOLENOID COIL	25063505										1	240
*	<b>SOLENOID and REVERSING VALVE</b>	25022022									1		500
	<b>REFRIGERATION PARTS</b>												
9	COMPRESSOR	61716641						1					600
9	COMPRESSOR	61716671	1	1					1				600
9	COMPRESSOR	61716653			1					1			600
9	COMPRESSOR	61562832				1	1						600
9	COMPRESSOR	61716665									1	1	600
10	EVAPORATOR COIL	62050014			1				1	1			400
10	EVAPORATOR COIL	61850101				1	1						400
10	EVAPORATOR COIL	61850100	1	1				1			1	1	400
11	CONDENSER COIL	61850303				1						1	410
11	CONDENSER COIL	61850217	1										410
11	CONDENSER COIL	61850302						1			1		410
11	CONDENSER COIL	62050317		1			1		1				410
11	CONDENSER COIL	62050302			1					1			410
*	DRIER, LIQUID	60308101	1	1	1	1	1	1	1	1			480
*	DRIER, SUCTION	61828200	1	1							1	1	480
*	CHECK VALVE	61824400									1	1	510
*	REVERSING VALVE	25018305										1	500
*	REVERSING VALVE & SOLENOID	25022022									1		500
*	CAPILLARY TUBE	03760518					1						471
*	CAPILLARY TUBE	03760520						1					471
*	CAPILLARY TUBE	03760473	1	1					1				471
*	CAPILLARY TUBE	03760548				1							471
*	CAPILLARY TUBE	03760501			1					1			471
*	CAPILLARY TUBE	03760452									1	1	471
*	CAPILLARY TUBE	03760556									1	1	471

\* PARTS NOT SHOWN

## SMALL CHASSIS "S" SERIES - 115V

REF	DESCRIPTION	PART NO.	KS			SS					YS		CODE
			KS12L10-C	KS12L10-D	KS15L10-B	SS08L10-C	SS08L10-D	SS10L10-C	SS12L10-D	SS14L10-C	YS09L10-D	YS09L10-E	
	<b>CHASSIS PARTS</b>												
12	SHROUD, SML W/SUMP LOOP	61803601	1	1	1	1	1	1	1	1	1	1	720
13	FAN BLADE, CONDENSER	60542003	1	1	1	1	1	1	1	1	1	1	710
14	BLOWER WHEEL, EVAPORATOR	60610603	1	1	1				1		1	1	700
14	BLOWER WHEEL, EVAPORATOR	60610604				1	1	1		1			700
15	BRACE, COND. SHROUD	61802600	3	3	3	3	3	3	3	3	3	3	722
16	SCROLL	61814905	1	1	1	1	1	1	1	1	1	1	743
17	BLOWER FRONT	61817300	1	1	1	1	1	1	1	1	1	1	742
*	INSULATION, INNER WALL	61816900	1	1	1	1	1	1	1	1	1	1	781
18	INNER WALL	61907300	1	1	1	1	1	1	1	1	1	1	777
19	COVER, TOP	61906700	1	1	1	1	1	1	1	1	1	1	746
20	INSULATION, TOP COVER	61816701	1	1	1	1	1	1	1	1	1	1	781
21	DECK	61817100	1	1	1	1	1	1	1	1	1	1	745
22	AIR FOIL	61820200	1	1	1	1	1	1	1	1	1	1	744
23	MOUNT, FAN MOTOR	61802500	1	1	1	1	1	1	1	1	1	1	900
27	BASE PAN	61803439				1	1						730
27	BASE PAN	61803441	1	1	1			1	1	1			730
27	BASE PAN	61809013									1	1	730
*	DRAIN PAN	61803800	1	1	1	1	1	1	1	1	1	1	840
*	BELLOWS, DRAIN VALVE	60179903									1	1	801
*	GRILLE, REAR	61818500	1	1	1	1	1	1	1	1	1	1	771
28	DOOR, SLIDE ASSLY.	61821500	1	1	1	1	1	1	1	1	1	1	810
*	CONNECTOR, SLIDE DOOR	61814800	1	1	1	1	1	1	1	1	1	1	811
29	PANEL, CTRL. MT.	61807250	1	1	1						1	1	999
29	PANEL, CTRL. MT.	61807251				1	1	1	1	1			999
30	BRACKET, CAP. MT	61820400	1	1	1	1	1	1	1	1	1	1	999
*	PANEL, L/S	61937200	1	1	1	1	1	1	1	1	1	1	999
31	PARTITION, CTRL. BOX	61802800	1	1	1	1	1	1	1	1	1	1	999
32	DECORATIVE PANEL	61822658	1	1	1								999
32	DECORATIVE PANEL	61823350									1	1	999
33	KNOBS, CTRL.	61493906	2	2	2						2	2	761
*	HOLDER, THERMISTER	61925001				1	1	1	1	1			764
*	HOLDER, AIR FILTER	60865900	2	2	2	2	2	2	2	2	2	2	756
*	FILTER, AIR	60865808	1	1	1	1	1	1	1	1	1	1	754
*	CLAMP, SUPPLY CORD	91500305	2	2	2	2	2	2	2	2	2	2	999
*	BRACKET, RESISTO BLOCK	61820600	1	1	1						1	1	999
34	GROMMET, COMPRESSOR	61028900	3	3	3	3	3	3	3	3	3	3	790
35	SCREW, COMPRESSOR MT.	91400400	3	3	3	3	3	3	3	3	3	3	999
*	COUNTER WEIGHT	61715800	3	3	3	3	3	3	3	3	3	3	999
36	PLENUM ASSLY.	61810206	1	1	1	1	1	1	1	1	1	1	753

\* PARTS NOT SHOWN

## SMALL CHASSIS "S" SERIES - 115V

	DESCRIPTION	PART NO.	KS			SS					YS		CODE	
			KS12L10-C	KS12L10-D	KS15L10-B	SS08L10-C	SS08L10-D	SS10L10-C	SS12L10-D	SS14L10-C	YS09L10-D	YS09L10-E		
	<b>CHASSIS PARTS</b>													
*	LEVER, FRESH & EXHAUST	<b>61809205</b>	1	1	1	1	1	1	1	1	1	1	813	
*	KNOB, FRESH & EXHAUST	<b>61809305</b>	1	1	1	1	1	1	1	1	1	1	814	
37	INTAKE GRILLE	<b>61808906</b>	1	1	1	1	1	1	1	1	1	1	772	
*	LATCH, INTAKE GRILLE	<b>61989000</b>	2	2	2	2	2	2	2	2	2	2	752	
38	OUTER SHELL ASSLY	<b>61825705</b>	1	1	1	1	1	1	1	1	1	1	770	
39	SILL PLATE	<b>61808413</b>	1	1	1	1	1	1	1	1	1	1	999	
*	CHASSIS GUIDE, SHELL	<b>61819601</b>	2	2	2	2	2	2	2	2	2	2	999	
*	FRIEDRICH SCRIPT	<b>60169110</b>	1	1	1	1	1	1	1	1	1	1	999	
*	PUSHNUTS, SCRIPT	<b>91002900</b>	2	2	2	2	2	2	2	2	2	2	999	
40	WINGBOARD	<b>60294415</b>	1	1	1	1	1	1	1	1			999	
41	BRACKET, SUPPORT	<b>61109513</b>	2	2	2	2	2	2	2	2			999	
42	ANGLE, WINGBOARD	<b>61819811</b>	2	2	2	2	2	2	2	2			999	
43	ANGLE, TOP	<b>61819711</b>	1	1	1	1	1	1	1	1			999	
44	GASKET, VINYL.	<b>60610304</b>	1	1	1	1	1	1	1	1			780	
*	HARDWARE BAG(SCREWS)	<b>60846016</b>	1	1	1	1	1	1	1	1			999	
45	GASKET, CHASSIS.	<b>61717301</b>	1	1	1	1	1	1	1	1	1	1	780	
45	GASKET, WINDOW.	<b>60610304</b>	1	1	1	1	1	1	1	1			780	
*	CARTON, SHIPPING	<b>61839801</b>	1	1	1	1	1	1	1	1	1	1	999	
<b>OPTIONAL ACCESSORIES</b>														
*	WINDOW KIT	<b>WIKS</b>										1	1	
*	DRAIN KIT, DC-2	<b>01900235</b>	1	1	1	1	1	1	1	1	1	1	1	999
*	START KIT, CAP.RELAY	<b>61008903</b>	1	1	1	1	1	1	1	1	1	1	1	160
*	ANTI-ICE KIT	<b>61680600</b>	1	1	1	1	1	1	1	1	1	1	1	250

\* PARTS NOT SHOWN

## SMALL CHASSIS "S" SERIES - 230V

REF	DESCRIPTION	PART NO.	ES			SS			YS		CODE
			ES12L33-B	ES12L33-C	ES16L33-B	SS12L30-C	SS12L30-D	SS16L30-C	YS13L33-B	YS13L33-C	
<b>ELECTRICAL PARTS</b>											
1	THERMOSTAT	61828400	1	1	1				1	1	120
*	RESISTOR	61808001	1	1	1				1	1	200
*	THERMOSTAT, DEFROST	61350314							1	1	122
*	REMOTE CONTROL	61826606				1	1	1			399
2	ELECTRONIC CTR.	61921194				1	1	1			331
*	OVERLOAD	61764521				1			1	1	190
*	OVERLOAD	61764556			1			1			190
*	OVERLOAD	61764540	1	1		1	1				190
4	CAPACITOR	61080534			1			1			150
4	CAPACITOR	61080536	1	1		1	1		1	1	150
5	SUPPLY CORD	60500323	1	1	1				1	1	220
5	SUPPLY CORD	60500322				1	1	1			220
6	SWITCH, SYS. 8 POS.	60607204	1	1	1				1	1	130
7	SWITCH (YES - NO)	61806105	1	1	1				1	1	132
8	FAN MOTOR	61871441	1	1	1	1	1	1	1	1	110
*	SOLENOID	25063605								1	240
*	<b>SOLENOID and REVERSING VALVE</b>	25022022							1		240
8A	HEATER	61878610	1	1	1				1	1	210
*	FUSE LINK	61596301	1	1	1				1	1	192
*	LIMITER, HEATER	61827902	1	1	1				1	1	193
REF	DESCRIPTION	PART NO.	ES			SS			YS		CODE
<b>REFRIGERATION PARTS</b>											
			ES12L33-B	ES12L33-C	ES16L33-B	SS12L30-C	SS12L30-D	SS16L30-C	YS13L33-B	YS13L33-C	
9	COMPRESSOR	61716628							1	1	600
9	COMPRESSOR	61716645	1	1		1	1				600
9	COMPRESSOR	62199704			1			1			600
10	EVAPORATOR COIL	61850100	1	1		1	1		1	1	400
10	EVAPORATOR COIL	61850101									400
10	EVAPORATOR COIL	62050014			1			1			400
11	CONDENSER COIL	61850302	1		1	1		1			410
11	CONDENSER COIL	61850306							1		410
11	CONDENSER COIL	62050303		1			1				410
11	CONDENSER COIL	62050310								1	410
*	DRIER, LIQUID	60308101	1	1	1	1	1	1	1	1	480
*	DRIER, SUCTION	61828200							1	1	480
*	CHECK VALVE	61824400							1	1	510
*	REVERSING VALVE	25018305								1	500
*	<b>REVERSING VALVE and SOLENOID</b>	25022022							1		500
*	CAPILLARY TUBE	03760543							1	1	471
*	CAPILLARY TUBE	03760545							1	1	471
*	CAPILLARY TUBE	03760473	1	1		1	1				471
*	CAPILLARY TUBE	01390005			1			1			471

\* PARTS NOT SHOWN

## SMALL CHASSIS "S" SERIES - 230V

REF	DESCRIPTION	PART NO.	ES			SS			YS		CODE
			ES12L33-B	ES12L33-C	ES16L33-B	SS12L30-C	SS12L30-D	SS16L30-C	YS13L33-B	YS13L33-C	
<b>CHASSIS PARTS</b>											
12	SHROUD, CONDENSER	61803601	1	1	1	1	1	1	1	1	720
13	FAN BLADE	60542003	1	1	1	1	1	1	1	1	710
14	BLOWER WHEEL	60610603							1	1	700
14	BLOWER WHEEL	60610616	1	1	1	1	1	1			700
15	BRACE, COND. SHROUD	61802600	3	3	3	3	3	3	3	3	722
16	SCROLL	61814905	1	1	1	1	1	1	1	1	743
17	BLOWER FRONT	61817300	1	1	1	1	1	1	1	1	742
19	COVER, TOP	61906700	1	1	1	1	1	1	1	1	746
21	DECK	61817100	1	1	1	1	1	1	1	1	745
23	MOUNT, FAN MOTOR	61802500	1	1	1	1	1	1	1	1	900
25	BRACKET, HEATER MT.	61818900	1	1	1				1	1	999
27	BASE PAN	61809015	1	1	1						730
27	BASE PAN	61803441				1	1	1			730
27	BASE PAN	61809013							1	1	730
*	DRAIN PAN	61803800	1	1	1	1	1	1	1	1	840
*	BELLOWS, DRAIN VALVE	60179903	1	1	1				1	1	801
*	GRILLE, REAR	61818500	1	1	1	1	1	1	1	1	771
28	DOOR, SLIDE ASSLY.	61821500	1	1	1	1	1	1	1	1	810
*	CONNECTOR, SLIDE DOOR	61814800	1	1	1	1	1	1	1	1	811
29	PANEL, CTRL. MT.	61807251				1	1	1			999
29	PANEL, CTRL. MT.	61807250	1	1	1				1	1	999
30	BRACKET, CAP. MT	61820400	1	1	1	1	1	1	1	1	999
*	PANEL, LIS	61937200	1	1	1	1	1	1	1	1	999
31	PARTITION, CTRL. BOX	61802800				1	1	1			999
31	PARTITION, CTRL. BOX	61802801	1	1	1				1	1	999
32	DECORATIVE PANEL	61823360	1	1	1				1	1	999
33	KNOBS, CTRL.	61493915	2	2	2				2	2	761
*	HOLDER, THERMISTER	61925001				1	1	1			764
*	HOLDER, AIR FILTER	60865900	2	2	2	2	2	2	2	2	756
*	FILTER, AIR	60865808	1	1	1	1	1	1	1	1	754
*	CLAMP, SUPPLY CORD	91500306	2	2	2	2	2	2	2	2	999
*	BRACKET, RESISTO BLOCK	61820600	1	1	1				1	1	999
34	GROMMET, COMPRESSOR	61028900	3	3	3	3	3	3	3	3	790
35	SCREW, COMPRESSOR MT.	91400400	3	3	3	3	3	3	3	3	999
36	PLENUM ASSLY.	61810206	1	1	1	1	1	1	1	1	753
*	KNOB, FRESH AIR & EXHAUST	61809305	1	1	1	1	1	1	1	1	761

\* PARTS NOT SHOWN

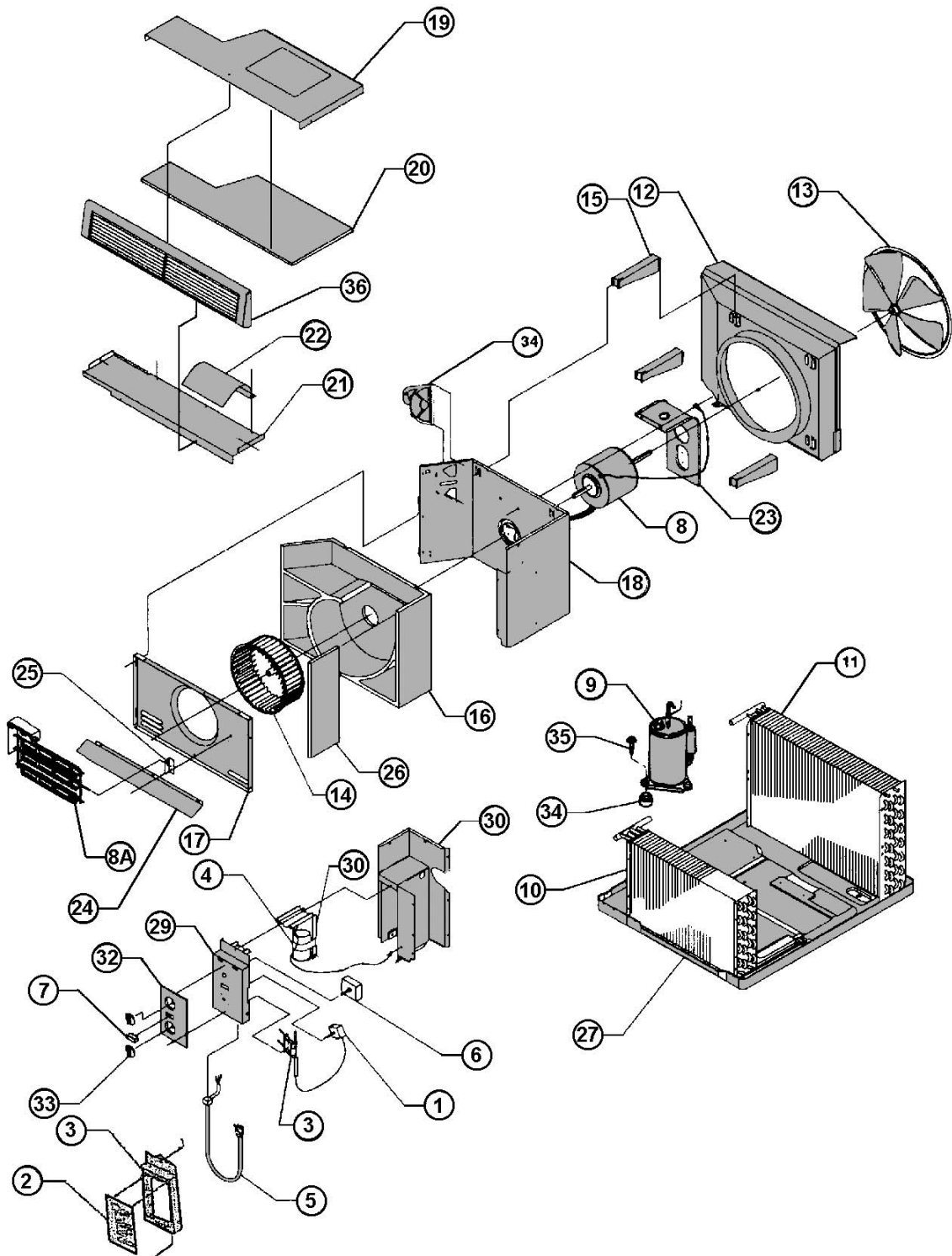
## SMALL CHASSIS "S" SERIES - 230V

REF	DESCRIPTION	PART NO.	ES			SS			YS		CODE
			ES12L33-B	ES12L33-C	ES16L33-B	SS12L30-C	SS12L30-D	SS16L30-C	YS13L33-B	YS13L33-C	
	<b>CHASSIS PARTS</b>										
37	INTAKE GRILLE	61808906	1	1	1	1	1	1	1	1	772
*	LATCH, INTAKE GRILLE	61989000	2	2	2	2	2	2	2	2	752
38	OUTER SHELL ASSLY	61825705	1	1	1	1	1	1	1	1	770
39	SILL PLATE	61808413	1	1	1	1	1	1	1	1	
*	CHASSIS GUIDE, SHELL	61819601	2	2	2	2	2	2	2	2	
*	FRIEDRICH SCRIPT	60169110	1	1	1	1	1	1	1	1	
*	PUSHNUTS, SCRIPT	91002900	2	2	2	2	2	2	2	2	
40	WINGBOARD	60294415				1	1	1			
41	BRACKET, SUPPORT	61109513				2	2	2			
42	ANGLE, WINGBOARD	61819811				2	2	2			
43	ANGLE, TOP	61819711				1	1	1			
44	GASKET, VINYL	60610304				1	1	1			
*	HARDWARE BAG(SCREWS)	60846017	1	1	1				1	1	
*	HARDWARE BAG(SCREWS)	60846016				1	1	1			
45	GASKET, CHASSIS	61717301	1	1	1	1	1	1	1	1	
45	GASKET, WINDOW	60610304				1	1	1			
*	CARTON, SHIPPING	61841908	1	1	1	1	1	1	1	1	
<b>OPTIONAL ACCESSORY ITEMS</b>											
*	DRAIN KIT, DC-2	01900235	1	1	1	1	1	1	1	1	999
*	START KIT, CAP.RELAY	61008903	1	1	1	1	1	1	1	1	160

\* PARTS NOT SHOWN

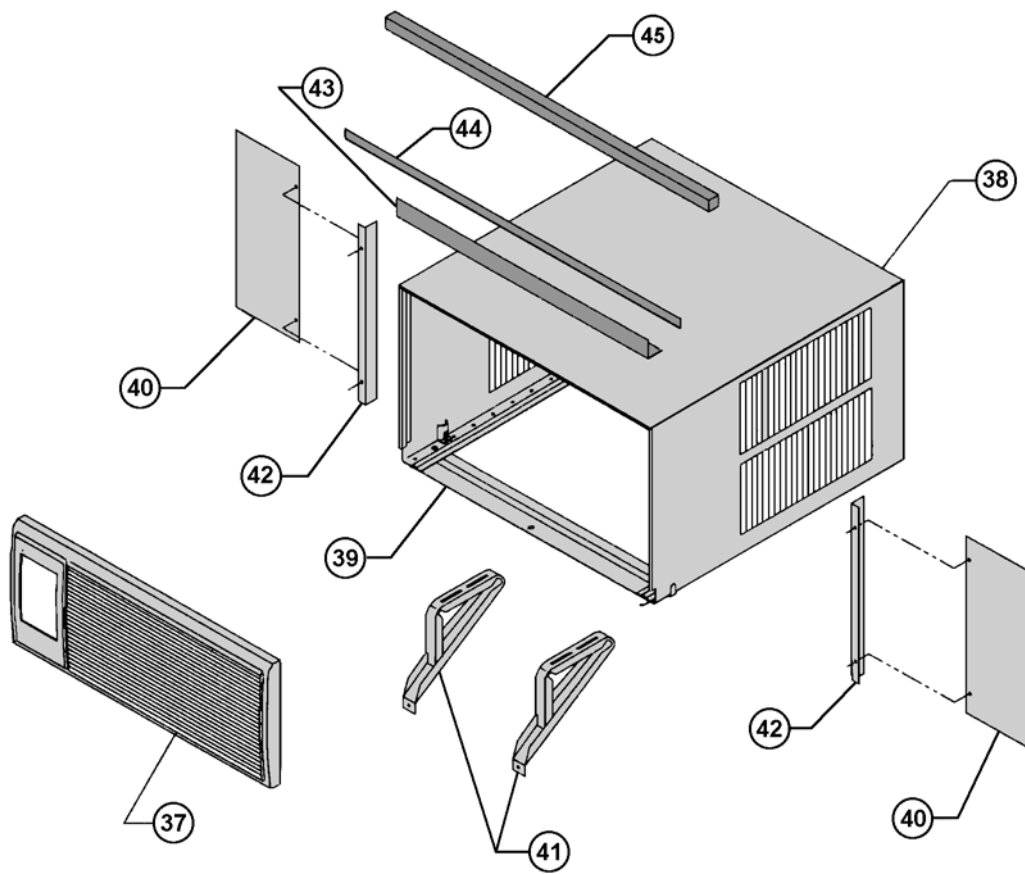
# MEDIUM CHASSIS "M" SERIES

## CHASSIS PARTS (EM, KM, SM, & YM)



## MEDIUM CHASSIS "M" SERIES

### CABINET & MOUNTING PARTS (EK, EM, KM, SM, YM)



## MEDIUM CHASSIS "M" SERIES

REF	DESCRIPTION	PART NO.	EM		KM		SM				YM		CODE
			EM18L34-B	EM24L35-B	KM18L30-B	KM24L30-B	SM18L30A-B	SM18L30A-C	SM21L30-C	SM21L30-D	SM24L30-B	YM18L34-B	
<b>ELECTRICAL PARTS</b>													
1	THERMOSTAT	61828500			1	1							120
1	THERMOSTAT	61828400	1	1									120
*	RESISTOR	61808001	1	1	1	1							200
*	THERMOSTAT, DEF.	61350314											122
2	ELECTRONIC BOARD	61921194					1	1	1	1	1		331
*	REMOTE CONTROL	61826606					1	1	1	1	1		350
*	OVERLOAD	61764522										1	190
*	OVERLOAD	61764556					1	1					190
*	OVERLOAD	61764557	1		1								190
4	CAPACITOR	61080557							1	1			150
4	CAPACITOR	61080529		1		1					1	1	150
4	CAPACITOR	61080534	1		1		1	1					150
5	SUPPLY CORD	60500340	1									1	220
5	SUPPLY CORD	60500322			1		1	1	1	1			220
5	SUPPLY CORD	60500323				1					1		220
5	SUPPLY CORD	60500341		1									220
6	SWITCH SYS. 8 POS.	60607204	1	1								1	130
6	SWITCH SYS. 6 POS.	60607205			1	1							130
7	SWITCH (YES - NO)	61806105	1	1	1	1						1	132
8	FAN MOTOR	61871432		1	1	1	1	1	1	1	1	1	110
*	SOLENOID COIL	25063605											240
*	<b>SOLENOID and REVERSING VALVE</b>	25022032										1	240
8A	HEATER	61878617		1									210
8A	HEATER	61878611	1									1	210
<b>REFRIGERATION PARTS</b>													
9	COMPRESSOR	61716652		1		1					1		600
9	COMPRESSOR	61716651						1	1				600
9	COMPRESSOR	61716663	1		1								600
9	COMPRESSOR	62199704					1	1					600
9	COMPRESSOR	61716660										1	600
10	EVAPORATOR COIL	61850011	1		1								400
10	EVAPORATOR COIL	61850002										1	400
10	EVAPORATOR COIL	62050016						1					400
10	EVAPORATOR COIL	61850023				1				1			400
10	EVAPORATOR COIL	62050017		1		1		1		1		1	400
11	CONDENSER COIL	61850222					1				1		410
11	CONDENSER COIL	62050215		1		1							410
11	CONDENSER COIL	61850200	1		1				1	1			410
11	CONDENSER COIL	61850205										1	410
11	CONDENSER COIL	61850215						1			1		410
*	DRIER, LIQUID	60308101	1	1	1	1	1	1	1	1	1	1	480
*	CHECK VALVE	61822400										1	471
*	REVERSING VALVE	25018705											500
*	REVERSING VALVE and SOLENOID	25022032										1	500
*	CAPILLARY TUBE	03760479							3				471
*	CAPILLARY TUBE	01389975	1		1								471
*	CAPILLARY TUBE	03760545					3	3				1	471
*	CAPILLARY TUBE	03760511										1	471
*	CAPILLARY TUBE	03760452		3		3					3	3	471

\* PARTS NOT SHOWN

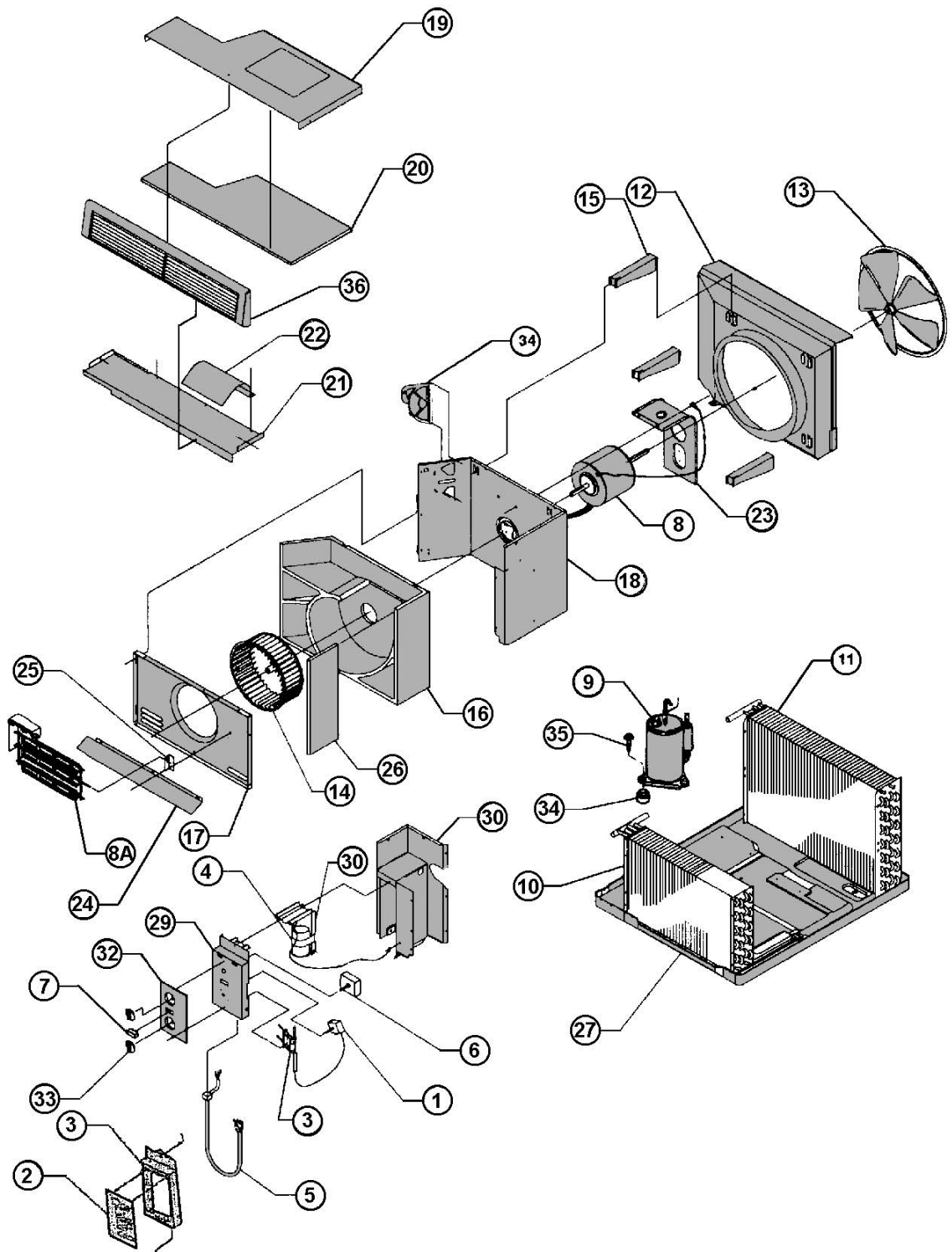
## MEDIUM CHASSIS "M" SERIES PARTS LIST

REF	DESCRIPTION	PART NO.	EM		KM		SM					YM		CODE
			EM18L34-B	EM24L35-B	KM18L30-B	KM24L30-B	SM18L30A-B	SM18L30A-C	SM21L30-C	SM21L30-D	SM24L30-B	YM18L34-B	YM18L34-C	
<b>CHASSIS PARTS</b>														
12	SHROUD, CONDENSER	61804901	1	1	1	1	1	1	1	1	1	1	1	720
13	FAN BLADE, COND.	60542004	1	1	1	1	1	1	1	1	1	1	1	710
14	BLOWER WHEEL, EVAP.	60610617	1		1		1	1	1	1				700
14	BLOWER WHEEL, EVAP.	60610618		1		1						1	1	700
15	BRACE, COND.SHROUD	61802600	3	3	3	3	3	3	3	3	3	3	3	722
16	SCROLL	61817505	1	1	1	1	1	1	1	1	1	1	1	743
17	BLOWER FRONT	61817400	1	1	1	1	1	1	1	1	1	1	1	742
23	MOUNT, FAN MOTOR	61804100	1	1	1	1	1	1	1	1	1	1	1	900
25	BRACKET, HTR	61818900	1	1									1	730
27	BASE PAN	61809015	1	1									1	730
27	BASE PAN	61803441			1	1			1	1	1			730
27	BASE PAN	61803411					1	1						730
*	BELLOWS, DRAIN VALVE	60179903	1	1									1	801
*	DRAIN PAN, EVAP.	61803800	1	1	1	1	1	1	1	1	1	1	1	840
*	GRILLE, REAR	61818501	1	1	1	1	1	1	1	1	1	12	12	771
28	DOOR, SLIDE ASY	61821500	1	1	1	1	1	1	1	1	1	1	1	810
*	CONNECTOR SLIDE ASY	61814800	1	1	1	1	1	1	1	1	1	1	1	811
*	WIRE CLIP, SLIDE ASSY	60301800	1	1	1	1	1	1	1	1	1	1	1	999
29	PANEL, CTRL. MOUNT	61811050	1	1	1	1							1	999
29	PANEL, CTRL. MOUNT	61811051					1	1	1	1	1			999
32	DECORATIVE PANEL	61823360	1	1									1	999
32	DECORATIVE PANEL	61822658			1	1								999
33	KNOBS, CRTL.	61493915	2	2	2	2							2	761
*	BRACKET,RESISTOR BLK	61820600	1	1	1	1							1	999
*	HOLDER, THERMISTOR	61925001					1	1	1	1	1			764
*	HOLDER, AIR FILTER	61823000	2	2	2	2	2	2	2	2	2	2	2	756
*	FILTER, AIR	60865809	1	1	1	1	1	1	1	1	1	1	1	754
*	CLAMP, SUPPLY CORD	91500308	2	2									2	999
*	CLAMP, SUPPLY CORD	91500307												999
*	CLAMP, SUPPLY CORD	91500305												999
*	CLAMP, SUPPLY CORD	91500306			2	2	2	2	2	2	2			999
34	GROMMET, COMP.	61028900	3		3	3	3	3	3	3	3	3	3	790
34	GROMMET, COMP.	01150934		3										790
35	SCREW, COMP.	91400400	3	3	3	3	3	3	3	3	3	3	3	999
36	PLENIUM ASLY.	61810206	1	1	1	1	1	1	1	1	1	1	1	753
37	GRILLE, INTAKE	61811111	1	1	1	1	1	1	1	1	1	1	1	772
*	LATCH, GRILLE INTAKE	61989000	2	2	2	1	2	2	2	2	2	2	2	999
38	OUTER SHELL	61825706	1	1	1	1	1	1	1	1	1	1	1	770
39	SILL PLATE	61808413	1	1	1	1	1	1	1	1	1	1	1	999
*	CHASSIS GUIDE, SHELL	61819601	2	2	2	2	2	2	2	2	2	2	2	999
*	CHASSIS RETAINER	61826400	1	1	1	1	1	1	1	1	1	1	1	999
*	FRIEDRICH SCRIPT	60169110	1	1	1	1	1	1	1	1	1	1	1	999
*	PUSHNUTS, SCRIPT	91002900	2	2	2	2	2	2	2	2	2	2	2	999
40	WINGBOARD	60294415			1	1	1	1	1	1	1			999
41	BRACKET, SUPPORT	61109513			2	2	2	2	2	2	2			999
42	ANGLE, WINGBOARDS	61819813			2	2	2	2	2	2	2			999
43	ANGLE, TOP SUPPORT	61819711			1	1	1	1	1	1	1			999
*	HARDWARE (SCREWS)	60846017	1	1									1	999
*	HARDWARE (SCREWS)	60846016			1	1	1	1	1	1	1			999
45	GASKET, CHASSIS	61717301	1	1	1	1	1	1	1	1	1	1	1	780
45	GASKET, WINDOW	60073300			1	1	1	1	1	1	1			780
46	GASKET, VINYL	60610304			1	1	1	1	1	1	1			780
*	CARTON, SHIPPING	61841916	1	1	1	1	1	1	1	1	1	1	1	999
<b>OPTIONAL ACCESSORY ITEMS</b>														
*	DRAIN KIT, DC-2	01900235	1	1	1	1	1	1	1	1	1	1	1	
*	START KIT, CAP.RELAY	61008903	1	1	1	1	1	1	1	1	1	1	1	

\* PARTS NOT SHOWN

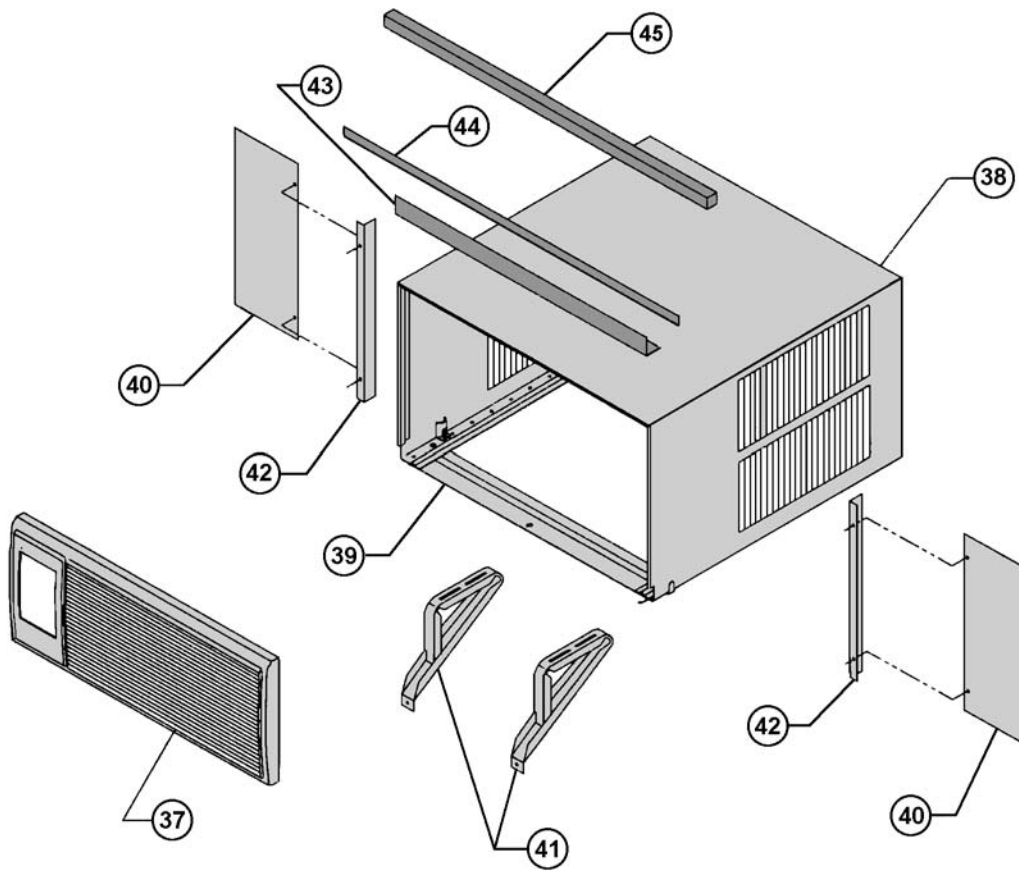
# LARGE CHASSIS "L" SERIES

## CHASSIS PARTS (SL, EL, & YL)



## LARGE CHASSIS "L" SERIES

### CABINET & MOUNTING PARTS (SL, EL, & YL)



## LARGE CHASSIS "L" SERIES

REF	DESCRIPTION	PART NO.	SL		EL	YL		CODE
			SL28L30-C	SL36L30A-C	EL36L34A-C	YL24L35-C	YL24L35-D	
<b>ELECTRICAL PARTS</b>								
1	THERMOSTAT	61828500	1	1				120
1	THERMOSTAT	61828400			1	1	1	120
*	THERMOSTAT, DEF.	61350314				1	1	122
4	CAPACITOR	61080529				1		150
4	CAPACITOR	61080557	1					150
4	CAPACITOR	61080527		1	1		1	150
5	SUPPLY CORD	60500323	1					220
5	SUPPLY CORD	60500341		1	1	1	1	220
3	RESISTOR	61808001	1	1	1	1	1	200
6	SWITCH SYS. 5 POS.	60607203	1	1				130
6	SWITCH SYS. 8 POS.	60607204			1	1	1	130
7	SWITCH (YES - NO)	61806105	1	1	1	1	1	132
8	FAN MOTOR	61871466		1	1			110
8	FAN MOTOR	61871467	1			1	1	110
*	SOLENOID	25063605					1	240
*	SOLENOID and REVERSING VALVE	25022032				1		240
8A	HEATER	61878612			1	1	1	210
*	COMPRESSOR HARNESS	61821409	1			1	1	270
*	COMPRESSOR HARNESS	61821405		1	1			270
<b>REFRIGERATION PARTS</b>								
9	COMPRESSOR	61716652				1	1	600
9	COMPRESSOR	61716650	1					600
9	COMPRESSOR	61716669		1	1			600
10	EVAPORATOR COIL	62050001	1	1	1		1	400
10	EVAPORATOR COIL	61850003				1		400
11	CONDENSER COIL	61850223		1	1			410
11	CONDENSER COIL	61850224	1					410
11	CONDENSER COIL	61850203				1	1	410
*	DRIER, LIQUID	60308101	1	1	1	1	1	480
*	Drier/Ck Valve/ Cap Tube	92500001				1	1	480
*	REVERSING VALVE	25018705					1	240
*	REVERSING VALVE and SOLENOID	25022032				1		500
*	CAPILLARY TUBE (HEAT)	01389905				1	1	471
*	CAPILLARY TUBE (COOL)	03760518				1	1	471
*	CAPILLARY TUBE	01390005	2	2	2			471

\* PARTS NOT SHOWN

## LARGE CHASSIS "L" SERIES

REF	DESCRIPTION	PART NO.	SL		EL	YL		CODE
			SL28L30-C	SL36L30A-C	EL36L34A-C	YL24L35-C	YL24L35-D	
	<b>CHASSIS PARTS</b>							
*	SHROUD, W/SUMP LRG	61807702	1	1	1	1	1	720
13	FAN BLADE, COND.	60542007	1	1	1	1	1	710
14	BLOWER WHEEL, EVAP.	60610602	1			1	1	700
14	BLOWER WHEEL, EVAP.	60610609		1	1			700
15	BRACE, COND.SHROUD	61810000	3	3	3	3	3	722
16	SCROLL	61818100	1	1	1	1	1	743
17	BLOWER FRONT	61817800	1	1	1	1	1	742
25	BRACKET, HTR	61818900			1	1	1	999
27	BASE PAN	61807111		1				730
27	BASE PAN	61807114	1					730
27	BASE PAN	61809513				1	1	730
27	BASE PAN	61809511			1			730
*	BELLOWS, DRAIN VALVE	60179903			1	1	1	801
*	DRAIN PAN, EVAP.	61807400	1	1	1	1	1	840
*	GRILLE, REAR	61818502	1	1	1	1	1	771
29	PANEL, CTRL. MOUNT	61806950	1	1	1	1	1	999
31	PARTITION, CTRL. BOX	61807000	1	1				999
31	PARTITION, CTRL. BOX	61807001			1	1	1	999
32	DECORATIVE PANEL	61822650	1	1	1			999
32	DECORATIVE PANEL	61823360				1	1	999
33	KNOBS, CRTL.	61493915	2	2	2	2	2	761
*	BRACKET,RESISTOR BLK	61820600	1	1	1	1	1	999
23	MOUNT, FAN MOTOR	61806700	1	1	1	1	1	900
*	HOLDER, AIR FILTER	61823000	2	2	2	2	2	756
*	FILTER, AIR	60865810	1	1	1	1	1	754
*	CLAMP, SUPPLY CORD	91500306	2					999
*	CLAMP, SUPPLY CORD	91500308		2	2	2	2	999
34	GROMMET, COMP.	01150934	3	3	3	3	3	790
35	SCREW, COMP.	91400400	3	3	3	3	3	999
36	PLENIUM ASLY.	61810506	1	1	1	1	1	753
37	GRILLE, INTAKE	61810406	1		1	1	1	772
*	LATCH, GRILLE INTAKE. METAL	61989000	2	2	2	2	2	772
38	OUTER SHELL	61825707	1	1	1	1	1	770
39	SILL PLATE	61808411	1	1	1	1	1	999
*	CHASSIS GUIDE, SHELL	61819601	2	2	2	2	2	999
*	FRIEDRICH SCRIPT	60169110	1	1	1	1	1	999
*	PUSHNUTS, SCRIPT	91002900	2	2	2	2	2	999
40	WINGBOARD	60294425	1	1				999
*	HARDWARE (SCREWS)	60846016	1	1				999
*	HARDWARE (SCREWS)	60846017			1	1	1	999
45	GASKET, CHASSIS	61717301	1	1	1	1	1	780
45	GASKET, WINDOW	60073300	1	1				780
44	GASKET, VINYL	60610304	1	1				780
*	CARTON, SHIPPING	61841917	1	1	1	1	1	999
43	ANGLE, TOP SUPPORT	61819713	1	1				999
42	ANGLE, WINGBOARDS	61819815	2	2				999
<b>OPTIONAL ACCESSORIES</b>								
*	ACCESSORY PKGE.	WIKL			1	1	1	
*	HARD START KIT	61840900	1	1	1	1	1	

\* PARTS NOT SHOWN

**Use Factory-Certified Parts.**

***Friedrich***

**FRIEDRICH AIR CONDITIONING CO.**

Post Office Box 1540 · San Antonio, Texas 78295-1540

4200 N. Pan Am Expressway · San Antonio, Texas 78218-5212

(210) 357-4400 · FAX (210) 357-4480

[www.friedrich.com](http://www.friedrich.com)

Printed in the U.S.A.

920-132-02 (3-07)