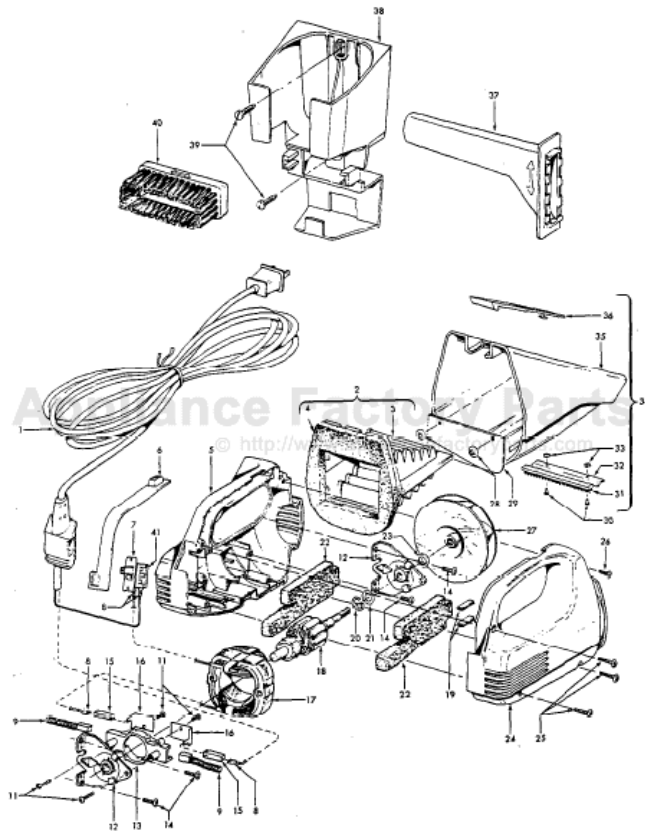


This Owner's Manual is provided and hosted by [Appliance Factory Parts](http://ApplianceFactoryParts.com).



# HOOVER S1059-030 Owner's Manual

[Shop genuine replacement parts for HOOVER  
S1059-030](#)

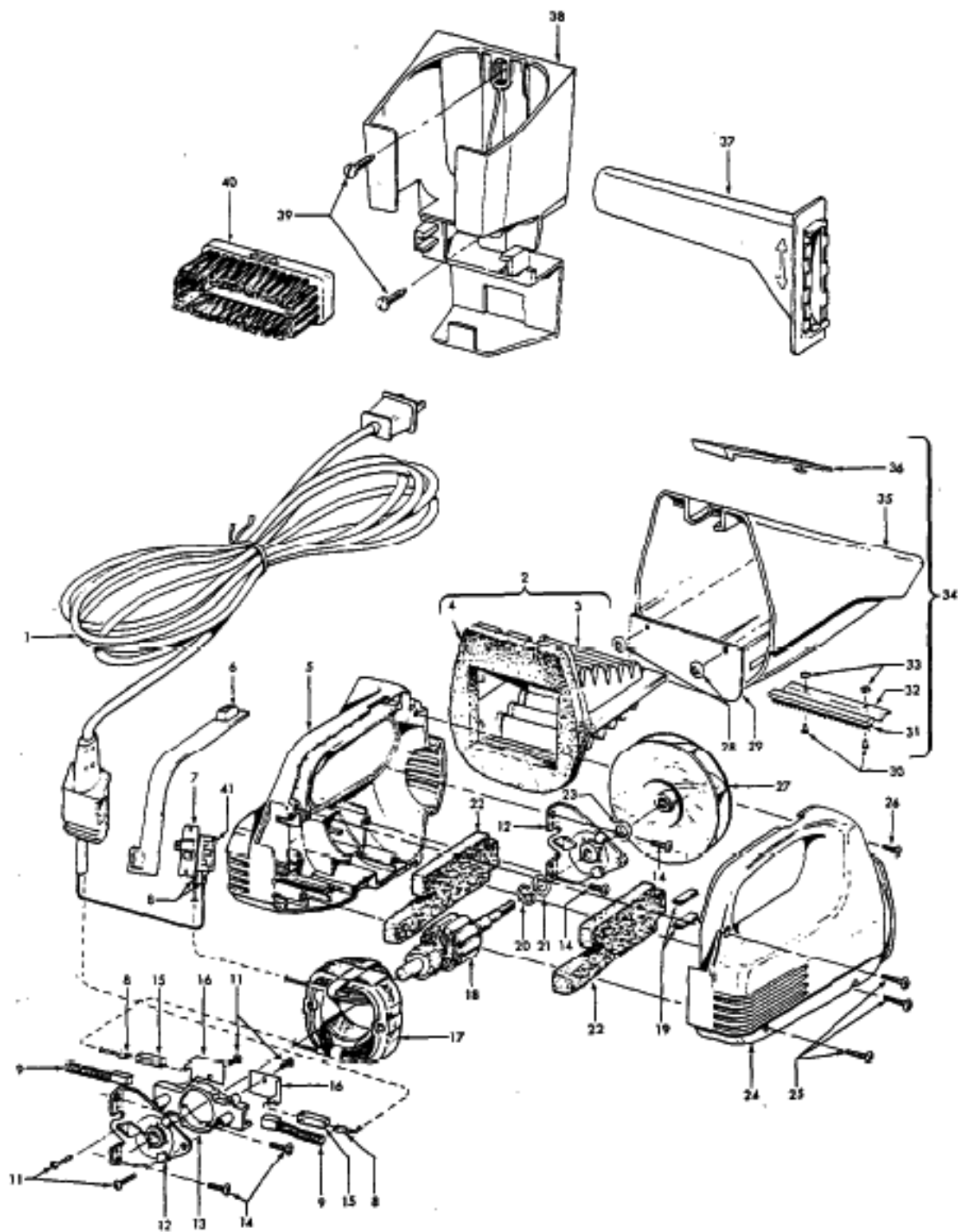


[Find Your HOOVER Vacuum Cleaner Parts - Select From 1456 Models](#)

----- Manual continues below -----

# Hand Held Cleaner

Models S1059-030, S1059-130, S1071, S1073



## Hand Held Cleaner

## Models S1059-030, S1059-130, S1071, S1073

Ref. No.	Part No.	Description	Ref. No.	Part No.	Description
1	46383065	Attach. Cord - JM ( Use w/28177009 Switch)		37223116	Housing - R.H. - M - S1073
	46383053	Cord	25	21447122	+* Screw - Self Tapping (3)
2	43615051	Gasket & Filter Assm.	26	21447105	Screw - Self Tapping
3	N/A	Filter (Order Item 2)	27	43565004	Fan Assm. - BZ
4	N/A	Gasket (Order Item 2)	28	14092	* Retainer (2)
5	37223120	Housing - L.H. - LU	29	34145005	Valve
	37223121	Housing - L.H. - M - S1073	30	N/A	Rivet - Semi Tubular (2) (Order Item 34)
6	38452057	Switch Actuator - AG	31	N/A	Litter Picker - DS (Order Item 34)
7	28177009	Switch (w/Side Attach.)	32	N/A	Retainer - AY (Order Item 34)
	281770KD	Switch (w/Rear Attach.)	33	N/A	Washer (2) (Order Item 34)
8	163054	Terminal (4) ( Use w/28177009 witch)	34	43645024	Dust Cup Assm.
	27666702	Terminal (4) (Use w/281770KD Switch)		43645009	+ Dust Cup Assm. - M - S1073
9	47311007	Motor Brush & Spring Assm. (2)	35	N/A	Dust Cup - LU (Order Item 34)
11	21447028	* Screw - Self Tapping (4)		N/A	Dust Cup - M - S1073 (Order Item 34)
12	43285005	Motor Bracket & Bearing Assm. (2)	36	N/A	Latch - AG (Order Item 34)
13	36315001	Motor Brush Holder - BZ	37	38617009	Crevice Tool - AG - S1059-030, S1059-130, S1073
14	21479431	Screw - Self Tapping (4)		36433025	Cleaner/Tool Rack - S1073
15	27464206	Insulating Pod (2)	38	40201053	Screw Packet - S 1 073
16	34561001	Connector Strip (2)	39	48451001	Dusting Brush Assm. - AG - S1059-030, S1059-030, S1073
17	45314007	Field Assm. Comp. (Use w/28177009 Switch)	40	37258082	Terminal Shield (Use w/281770KD Switch)
	45314006	Field Assm. Comp. (Use w/281770KD Switch)		58369051	+ Carton - S1071
18	44731028	Armature & Fan Assm. (Incl. Items 12,20,21,23,27)		58369024	+ Carton - S1073
19	36222018	Bumper (2)		58369028	+ Carton - S1059-030
20	13730	* Lock Ring		58136003	+ Carton - 4 Pk. - S1071
21	21312778	Washer		58136004	+ Carton - 4 Pk. - S1073
22	34284003	Exhaust Filter (2)			
23	160030	* Washer			
24	37223115	Housing - R.H. - LU			