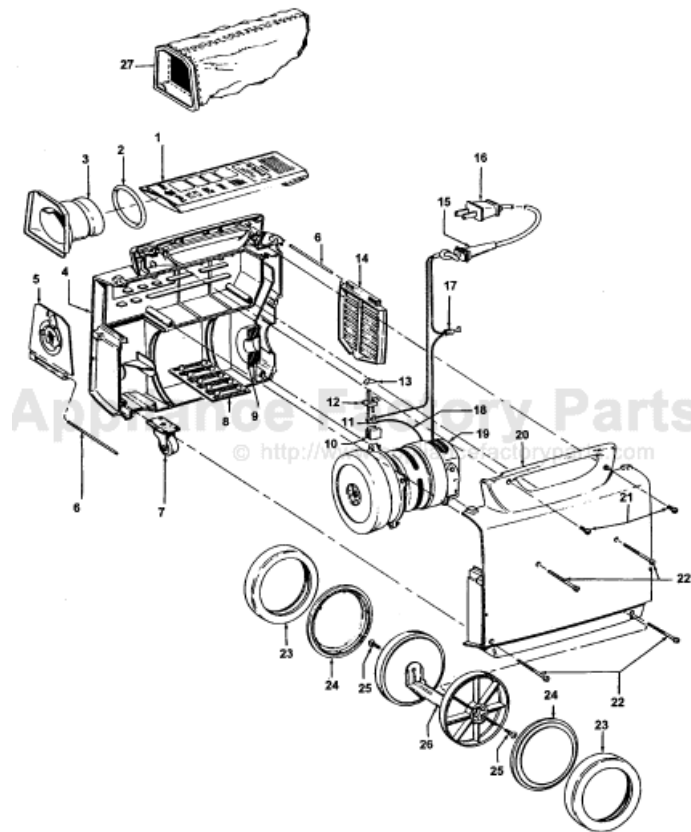


This Owner's Manual is provided and hosted by [Appliance Factory Parts](http://ApplianceFactoryParts.com).



HOOVER S1077-060 Owner's Manual

[Shop genuine replacement parts for HOOVER
S1077-060](#)

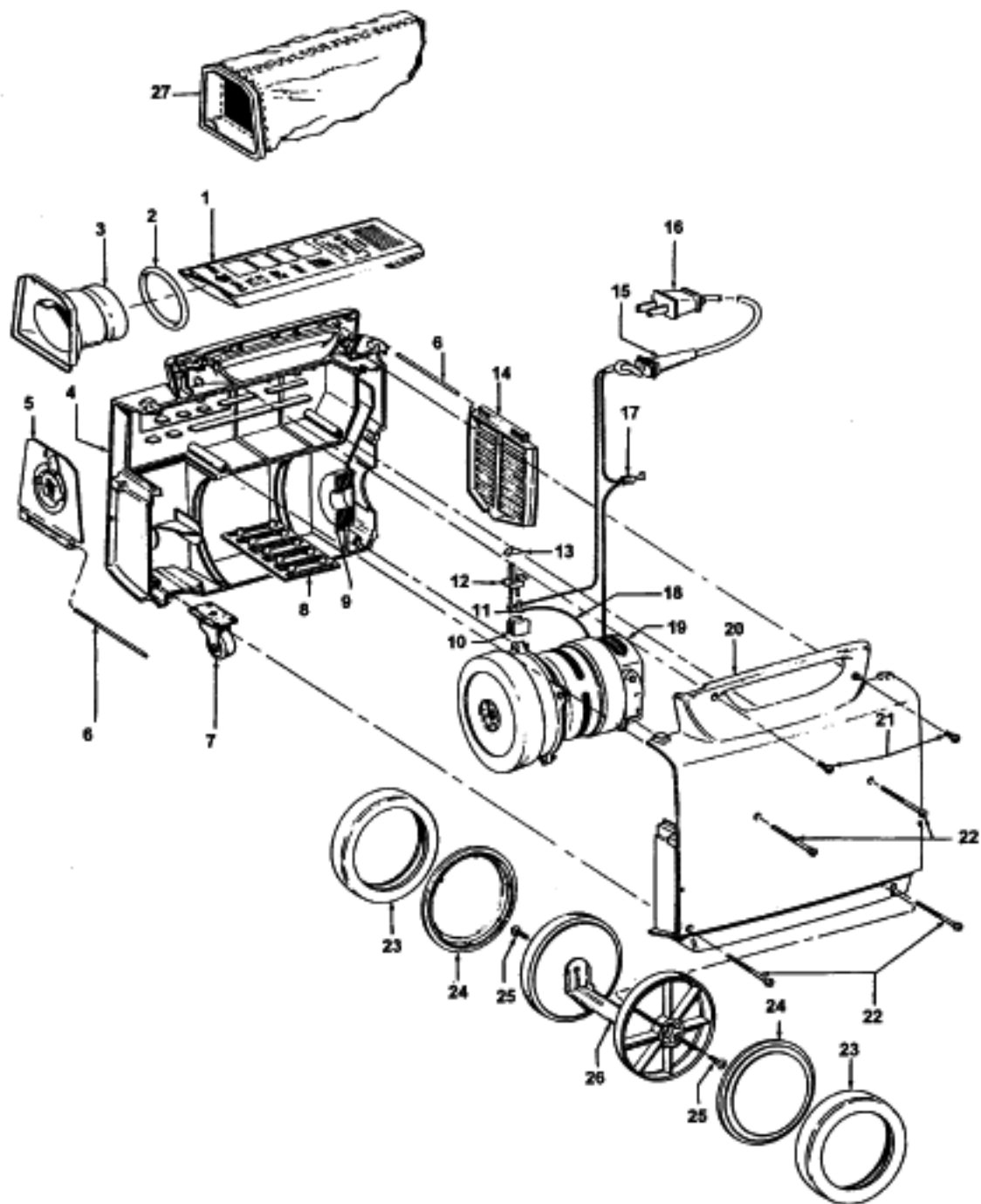


[Find Your HOOVER Vacuum Cleaner Parts - Select From 1456 Models](#)

----- Manual continues below part list -----

Available Replacement Parts for HOOVER S1077-060

H-4010038N	Hoover OEM style n 5pk bags
H-38663010	DISPOSABLE BAG SUPPORT TUBE .



Portapower

Models S1077-033, S1077-060, S1127

Ref. No.	Part No.	Description
1	4010038N	Disposable Bag (5 - Pk)
2	46550AG	Disposable Bag Retainer
3	38663010	Disp. Bag Support Tube
4	37223067	Housing Assm. - RH - JM
	37223211	Housing Assm. - RH - AAP - S1127
5	42227015	Bag Door Assm. Comp. - MS
6	162062AY	Hinge Pin (2)
7	23737202	Caster Wheel Assm.
8	162083JM	Secondary Filter
9	33712005	Pressure Pad
10	37922002	Terminal Shield
11	27666702	Terminal (Lead Wire)
12	28177006	Switch
13	38421012	Switch Button - AG
14	38768021	Diffuser Door - MS
15	36215030	Cord Protector - S1127
16	46363271	Attach. Cord - AAP
17	12227	Insulated Terminal
18	46216002	Lead Wire - Black
19	43177069	Motor Assm. Comp.
20	37223064	Housing Assm. - LH - JM
	37223084	Housing Assm. - LH - AAP - S1127

Ref. No.	Part No.	Description
21	21447043	* Screw - Self Tapping (2)
22	21479573	Screw - Self Tapping (4)
23	38522050	Tire - MS (2)
24	32811012	+ Wheel - Outside - AG (2)
25	21447201	+* Screw - Self Tapping - AY (2)
26	43248040	Frame & Inner Wheel Assm.
27	43662023	Bag Assm. Comp. - Cloth (Reusable) - S1127

PACKAGING MATERIAL

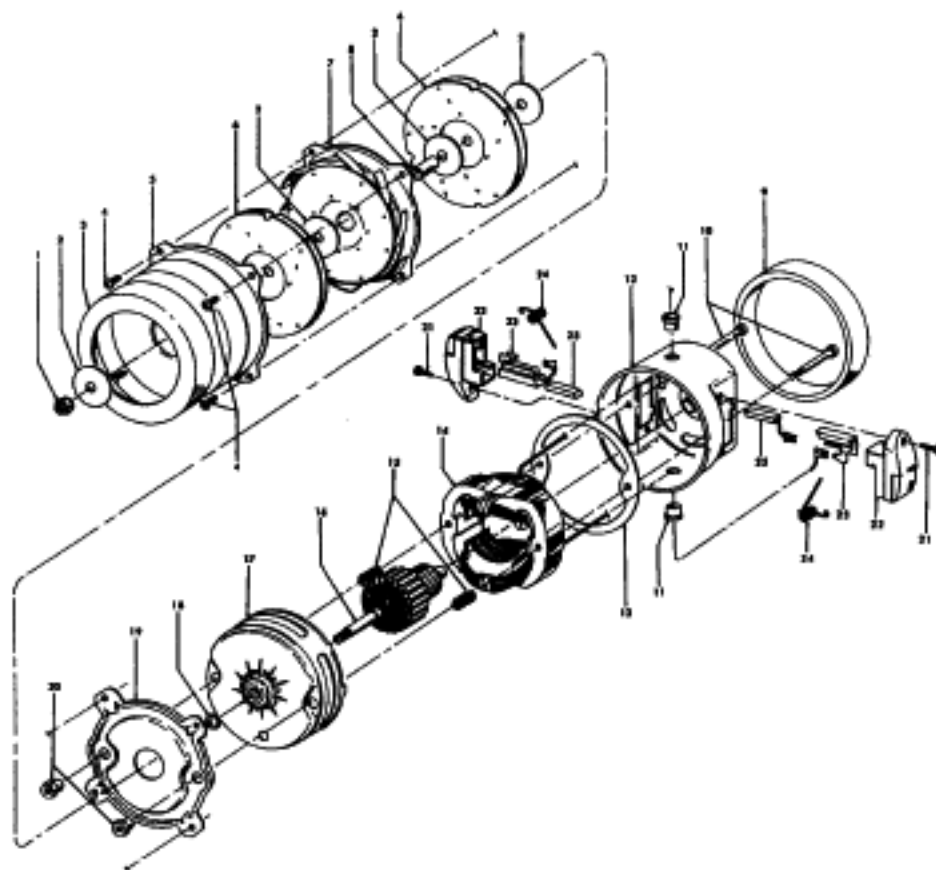
58152061	+ Canon
58152080	+ Carton - S1077-060
58152085	+ Carton - S1127
58219011	+ Cleaner Support
58366072	+ Side Support

ITEMS NOT ILLUSTRATED

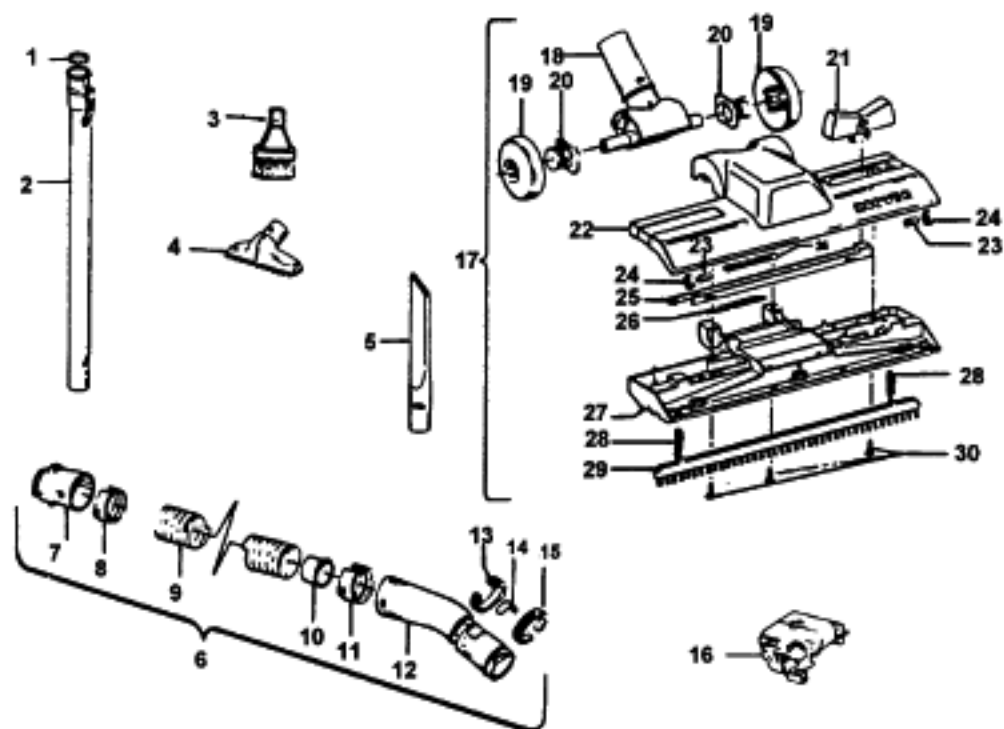
34366001	Diffuser - S1127
----------	------------------

Portapower

Models S1015-075, S1029-075, S1049, S1049-022, S1049-060, S1055, S1075, S1075-060, S1077, S1077-033, S1077-060, S1079, S1079-060, S1127



Ref. No.	Part No.	Description	Ref. No.	Part No.	Description
1	33428001	Nut			
2	21312701	* Washer (4)			
3	31328002	+ Motor Mount			
4	21434224	* Screw - Self Tapping (4)			
5	37191016	Outerstage Housing			
6	43566017	Fan Assem. (2)			
7	43551005	Interstage Assem.			
8	31742010	Fan Spacer			
9	31178007	Motor Gasket			
10	33421004	+ Field Lamination Bolt (2)			
11	27452109	Snap Bushing (2)			
	168702BZ	+ Bushing - S1049-022, S1049-060, S1075-060, S1077-033, S1077-060, S1079-060, S1127			
12	42937003	Motor Housing Assem. - Upper			
13	31193011	+ Air Baffle Not Applicable - S1049-060, S1075-			
			14	45311035	060, S1077-060, S1079-060, S1127
				45311051	Field Assem. Comp.
					Field Assem. Comp. - S1049-022, S1049-060, S1077-033, S1077-060, S1127
			15	167721FW	Compression Spring (2)
			16	44765171	Armature Assem. Comp.
			17	37191085	Motor Housing Assem. - Lower
			18	31148002	Spacer
			19	36322002	Interstage Mounting Plate
			20	167695EF	Nut - Special (2)
			21	21429406	* Screw (2)
			22	167696AG	Brush Carrier (2)
			23	168037	Brush Holder (2) - Use Brush Carrier 47318008 (Incl. It. 22 - 25)
			24	38353004	Spring (2)
			25	167681	Motor Brush & Terminal Assem.



Ref. No.	Part No.	Description
1	12845JM	Gasket
2	43453027	Extension Tube
3	43414064	Dusting Brush Assm. - AAP
4	38614024	Furniture Nozzle - AG
5	38617017	Crevice Tool - AAP
6	43434223	Hose Assem. Comp.
7	38656017	Hose Connector - MV
8	38671011	Hose Connector Collar
9	38671029	Hose Less Ends - AAV
10	32156010	Hose Sleeve
11	36171025	Hose Connector Collar
12	43486044	Hose Grip Assm. - MV
13	38711006	Suction Control Ring - MV
14	51869006	Label
15	36153009	Latch Ring
16	36433042	+ Tool Storage Rack - AAP
17	43414101	+ Rug & Floor Nozzle Assm. - AAP

Ref. No.	Part No.	Description
18	38646045	Nozzle Tube - AAP
19	43244043	Wheel & Bearing Assm. (2)
20	38511016	+ Wheel Bearing - AAT (2)
21	38434015	Pedal - MV
22	38615180	Rug and Floor Nozzle Complete
23	31511004	Roller Axle - AY (2)
24	38521018	Roller (2)
25	38451008	Slider - AG
26	34122013	+* Seal (2)
27	36414013	+ Brush Housing - MV
28	166649FW	Spring (2)
29	48443004	Brush Back Assm. - AG
30	21447203	* Screw - Self Tapping (4)