

This Owner's Manual is provided and hosted by [Appliance Factory Parts](#).



FRIGIDAIRE CTF140FS2 Owner's Manual

[Shop genuine replacement parts for FRIGIDAIRE
CTF140FS2](#)

FRIGIDAIRE®

[Find Your FRIGIDAIRE Washer Parts - Select From 478 Models](#)

----- Manual continues below -----

Coin- Operated Commercial Tumble Action Washer

Installation Instructions and
Use and Care Guide

Machine À Laver Par Culbutage Commerciale à encaissement automatique

Instructions d'installation et
Guide d'utilisation et d'entretien

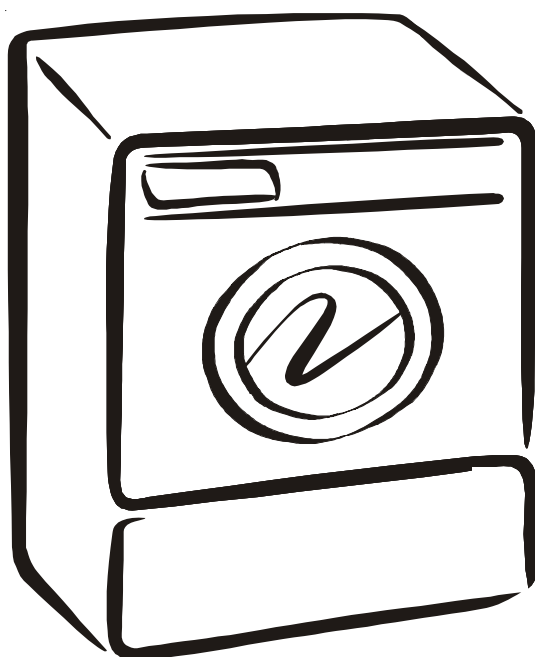


TABLE OF CONTENTS

Important Safety Instructions.....	3	Unpacking.....	6
Pre-Installation Requirements.....	4	Installation.....	6-7
Electrical Requirements.....	4	Coin slide installation.....	7-9
Grounding Requirements.....	4	Meter case instructions.....	9
Water Supply Requirements.....	4	Replacement Parts.....	10
Drain Requirements.....	4	Parts lists.....	10-11
Location Of Your Washer.....	4	Warranty.....	12
Rough-In Dimensions.....	5	Français.....	13-24

Before beginning installation, carefully read these instructions. This will simplify the installation and ensure the washer is installed correctly and safely. Leave these instructions near the washer after installation for future reference.

NOTE: The electrical service to the washer must conform with local codes and ordinances and the latest edition of the National Electrical Code, ANSI/NFPA 70.

NOTE: The instructions appearing in this INSTALLATION AND SAFETY INSTRUCTIONS manual are not meant to cover every possible condition and situation that may occur. Common sense and caution must be practiced when installing, operating and maintaining any appliance.

Product Record

For Frigidaire warranty information or to contact a Frigidaire Service Center, call **1-866-738-1640**

If you need SERVICE or PARTS for your Frigidaire coin-operated washer: be ready to give the model number, serial number and date of purchase. Record below.

Model number _____

Serial number _____

Purchase date _____

Record Coin Box

Key Number _____

Key number is on key and/or coin box.

WASHER SAFETY

Your safety and the safety of others is very important. We have provided many important safety messages in the Installation Instructions/Use & Care Guide and on your appliance. Always read and obey all safety messages.



This is the safety alert symbol. This symbol alerts you to hazards that can kill or hurt you or others. All safety messages will be preceded by the safety alert symbol and the word "DANGER" or "WARNING". These words mean:

! DANGER *You can be killed or seriously injured if you don't immediately follow instructions.*

! WARNING *You can be killed or seriously injured if you don't follow instructions.*

All safety messages will identify the hazard, tell you how to reduce the chance of injury, and tell you what can happen if the instructions are not followed.

! WARNING

For your safety the information in this manual must be followed to minimize the risk of fire or explosion or to prevent property damage, personal injury or loss of life.

- Do not store or use gasoline or other flammable vapors and liquid in the vicinity of this or any other appliance.

- **WHAT TO DO IF YOU SMELL GAS**

- Do not try to light any appliance.
- Do not touch any electrical switch; do not use any phone in your building.
- Clear the room, building or area of all occupants.
- Immediately call your gas supplier from a neighbor's phone. Follow the gas suppliers instructions.
- If you cannot reach your gas supplier, call the fire department.

Installation and service must be performed by a qualified installer, service agency or the gas supplier.

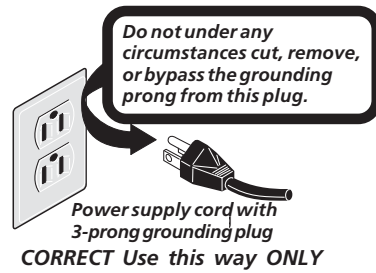
Your washer is equipped with a door safety interlock. Verify proper operation of interlock system daily, using the following procedure:

1. With the washer door open, insert the required number of coins and press the **START** button. **THE WASHER MUST NOT START!**
2. Close the washer door. Press the **START** button again to start the machine. Attempt to open the door, without exerting excessive force. **THE DOOR MUST NOT OPEN!**

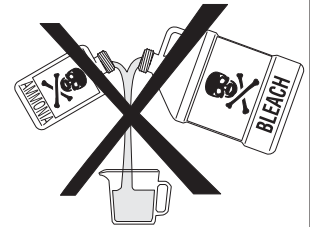
IF THE WASHER STARTS WITH THE DOOR OPEN, OR THE DOOR CAN BE OPENED WHILE THE WASHER IS OPERATING, THE MACHINE MUST IMMEDIATELY BE TAKEN OUT OF SERVICE. DISCONNECT THE POWER CORD, AND MARK THE MACHINE "OUT OF ORDER", UNTIL THE INTERLOCK SYSTEM IS REPAIRED, AND OPERATES AS DESCRIBED ABOVE.

⚠ WARNING Avoid fire hazard or electrical shock. Do not use an adaptor plug or extension cord or remove grounding prong from electrical power cord. Failure to follow this warning can cause serious injury, fire or death.

Grounding type wall receptacle



⚠ WARNING Do not use or mix liquid chlorine bleach with other household chemicals such as toilet cleaners, rust removers, acid or products containing ammonia. These mixtures can produce dangerous fumes which can cause serious injury or death.



Important Safety Instructions

Read all instructions before using this washer.

⚠ WARNING You can be killed or seriously injured if you don't follow these **Important Safety Instructions**:

- To reduce the risk of fire, electrical shock, or injury to persons when using this washer, comply with the basic warnings listed below.
- Failure to comply with these warnings could result in serious personal injuries.

Prevent Fire

- Do not wash items that have been previously cleaned in, soaked in, or spotted with gasoline, cleaning solvents, kerosene, cooking oils, waxes, etc. Do not store these items on or near the washer. These substances give off vapors or chemical reactions that could ignite or explode.
- Do not put oily or greasy rags or clothing on top of the washer. These substances give off vapors that could ignite the materials.
- Do not add gasoline, cleaning solvents, or other flammable or explosive substances to the wash water. These substances give off vapors that could ignite or explode.

FOR YOUR SAFETY Do not store or use gasoline or other flammable vapors or liquids in the vicinity of this or any other appliance.

- Under certain conditions, hydrogen gas may be produced in a hot water system that has not been used for 2 weeks or more. **HYDROGEN GAS IS EXPLOSIVE.** If the hot water system has not been used for such a period, before using the washer, turn on all hot water faucets and let the water flow from each for several minutes. This will release any accumulated hydrogen gas. Hydrogen gas is flammable; do not smoke or use an open flame during this time.
- Failure to comply with these warnings could result in fire, explosion, serious bodily injury and/or damage to the rubber or plastic parts of the washer.

Protect Children

- Do not allow children to play on or in the washer. Close supervision of children is necessary when the washer is used near children. As children grow, teach them the proper, safe use of all appliances.
- Destroy the carton, plastic bag and other packing materials after the washer is unpacked. Children might use them for play. Cartons covered with rugs, bedspreads or plastic sheets can become airtight chambers.
- Keep laundry products out of children's reach. To prevent personal injury, observe all warnings on product labels.
- Before the washer is removed from service or discarded, remove the washer lid to prevent accidental entrapment.
- Failure to comply with these warnings could result in serious personal injuries.

Prevent Injury

- Test door interlock system daily. Follow instructions on previous page.
- To prevent shock hazard and assure stability during operation, the washer must be installed and electrically grounded by a qualified service person in accordance with local codes. Refer to INSTALLATION AND SAFETY INSTRUCTIONS for detailed grounding procedures. If the washer is moved to a new location, have it checked and reinstalled by a qualified service person.
- To prevent personal injury or damage to the washer, the electrical power cord of the washer must be plugged into a properly grounded and polarized 3-prong outlet. **The third grounding prong must never be removed. Never ground the washer to a gas pipe. Do not use an extension cord or an adaptor plug.**
- Follow package directions when using laundry products. Incorrect usage can produce poisonous gas--resulting in serious injury or death.
 - **Do not** combine laundry products for use in 1 load unless specified on the label.
 - **Do not** mix chlorine bleach with ammonia or acids such as vinegar.
- To prevent serious personal injury and damage to the washer:
 - **All repairs and servicing must be performed by an authorized servicer** unless specifically recommended in this INSTALLATION AND SAFETY INSTRUCTIONS manual. Use only authorized factory parts.
 - **Do not** tamper with controls.
 - **Do not** install or store the washer where it will be exposed to the weather.
- To reduce the risk of electric shock, disconnect this appliance from the power supply before attempting any user maintenance. Turning the controls to the OFF position does not disconnect this appliance from the power supply.
- To prevent injury, do not reach into the washer while parts are moving. Before loading, unloading or adding items, push in the cycle selector knob and allow the tub to coast to a complete stop before reaching inside.
- Failure to comply with these warnings could result in serious personal injuries.
- This washer is equipped with an electrical overload protector. The motor will stop if it becomes overheated. The washer will automatically restart after a cool down period of up to 30 minutes, if the washer has not been manually turned off during this time.

SAVE THESE INSTRUCTIONS

PRE-INSTALLATION REQUIREMENTS

Tools Required for Installation:

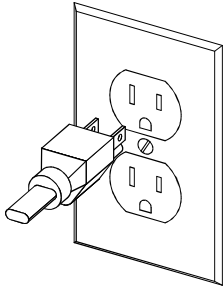
1. 1/4 in. nut driver
2. 3/8 in. socket with ratchet.
3. 3/8 in. open end wrench.
4. 7/16 in. socket with ratchet.
5. 9/16 in. open end wrench.
6. Channel-lock adjustable pliers.
7. Carpenter's level.

ELECTRICAL REQUIREMENTS

CIRCUIT - Individual, properly polarized and grounded 15 amp. branch circuit fused with 15 amp. time delay fuse or circuit breaker.

POWER SUPPLY - 2 wire, with ground, 120 volt, single phase, 60 Hz, Alternating Current. NOTE: The use of this washer with power created by gas powered generators, solar powered generators, wind powered generators or and other generator other than the local utility company is not recommended.

OUTLET RECEPTACLE - Properly grounded 3-prong receptacle to be located so the power supply cord is accessible when the washer is in an installed position. NOTE: GFI (Ground Fault Interrupter) receptacle is not required.



GROUNDING REQUIREMENTS

WARNING Improper connection of the equipment grounding conductor can result in a risk of electrical shock. Check with a licensed electrician if you are in doubt as to whether the appliance is properly grounded.

1. The washer **MUST** be grounded. In the event of malfunction or breakdown, grounding will reduce the risk of electrical shock by a path of least resistance for electrical current.
2. Since your washer is equipped with a power supply cord having an equipment-grounding conductor and a grounding plug, the plug **MUST** be plugged into an appropriate, copper wired receptacle that is properly installed and grounded in accordance with all local codes and ordinances or in the absence of local codes, with the National Electrical Codes, ANSI/NFPA 70 (latest edition). If in doubt, call a licensed electrician.

DO NOT cut off or alter the grounding prong on the power supply cord. In situations where a two-slot receptacle is present, it is the owner's responsibility to have a licensed electrician replace it with a **properly grounded** three prong grounding type receptacle.

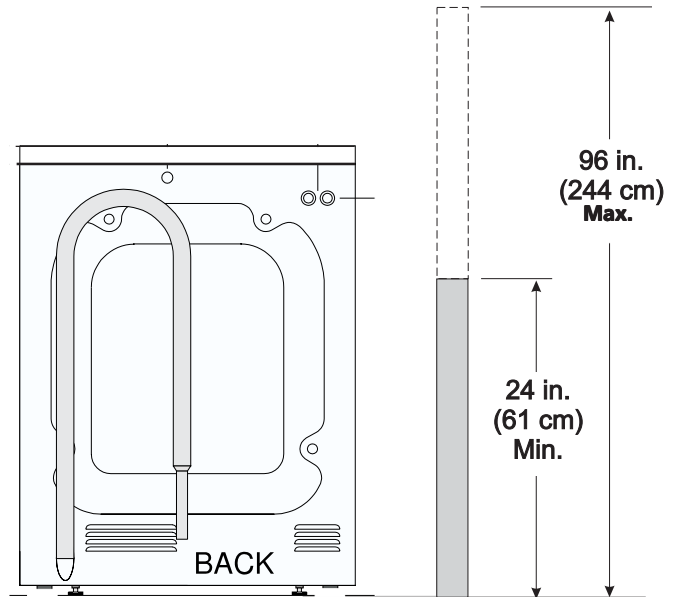
WATER SUPPLY REQUIREMENTS

Hot and cold water faucets **MUST** be installed within 42 inches (107 cm) of your washer's water inlet. The faucets **MUST** be 3/4 inch (1.9 cm) garden hose type so inlet hoses can be connected. Water pressure **MUST** be between 10 and 120 pounds per square inch (maximum unbalance pressure, hot vs. cold, 10 psi.) Your water department can advise you of your water pressure.

DRAIN REQUIREMENTS

Models equipped with drain pump:

1. Drain **MUST** be capable of eliminating 17 gals (64.3 L) per minute.
2. A standpipe diameter of 1-1/4 in. (3.18 cm) minimum.
3. The standpipe height above the floor should be:



NOTE:

Drain hose attached to the washer can reach a 58 in. (147 cm) high standpipe. For higher standpipe use hose P/N 134592701, available from an authorized parts distributor. If drain is less than 24 in. (61 cm), install a siphon break kit, available at your local hardware store.

Models equipped with gravity drain:

1. Floor drain **MUST** be capable of eliminating 17 gals (64.3 L) per minute.
2. Floor drain diameter must be at least 1/2 inch larger than drain hose.

LOCATION OF YOUR WASHER

See rough-in dimensions on the next page (Figure 1).

DO NOT INSTALL YOUR WASHER:

1. In an area exposed to dripping water or outside weather conditions. The ambient temperature should never be below 60 degrees F (15.6 degrees C) for proper washer operation.
2. In an area where it will come in contact with curtains or drapes.
3. In an area (garage or garage-type building) where gasoline or other flammables are kept or stored (including automobiles).
4. On carpet. Floor **MUST** be solid with a maximum slope of 1/2 in. per foot (1.27 cm per 30.5 cm). To ensure vibration or movement does not occur, reinforcement of the floor may be necessary.

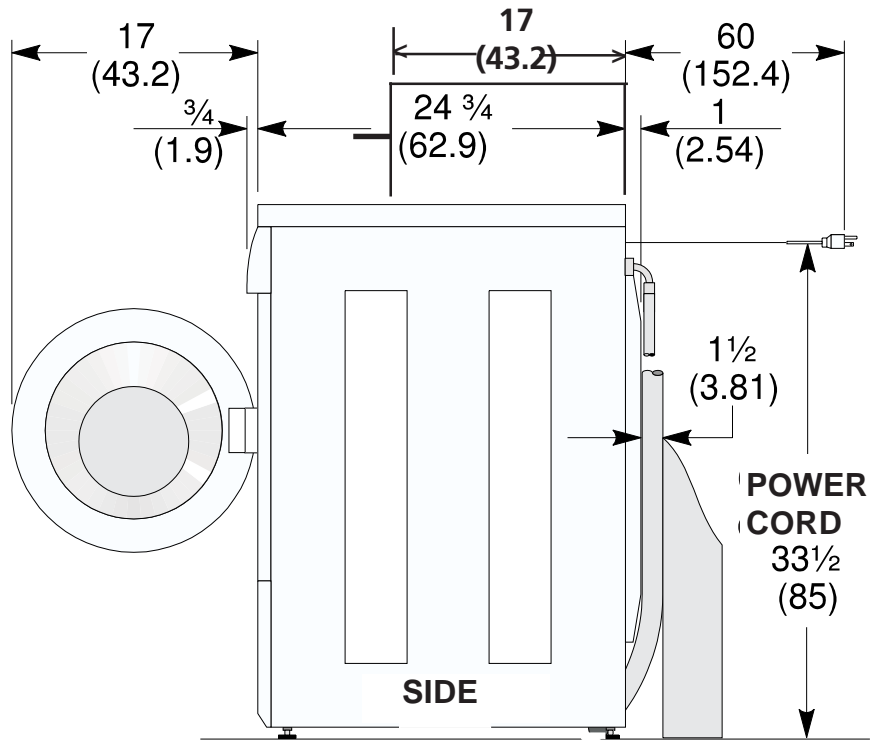
IMPORTANT MINIMUM INSTALLATION CLEARANCES

When installed in alcove: Sides, Rear, Top = 0 in (0 cm).

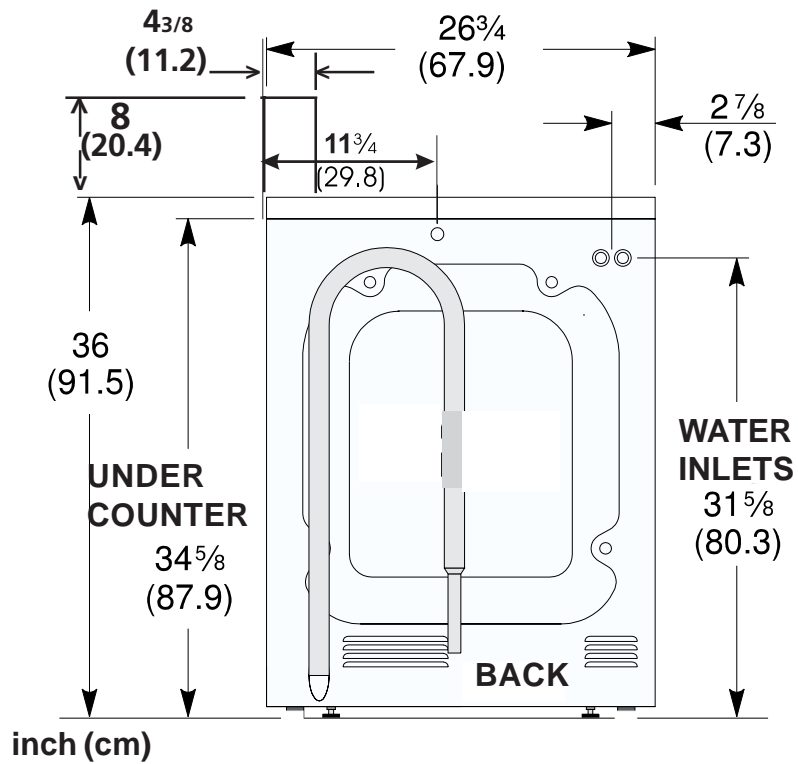
When installed in closet: Sides, Rear, Top = 0 in (0 cm), Front = 1 in (2.54 cm).

Closet door ventilation openings required: 2 louvers each 60 in² (387 cm²) - 3 in (7.6 cm) from top and bottom of door.

ROUGH-IN DIMENSIONS



inch (cm)



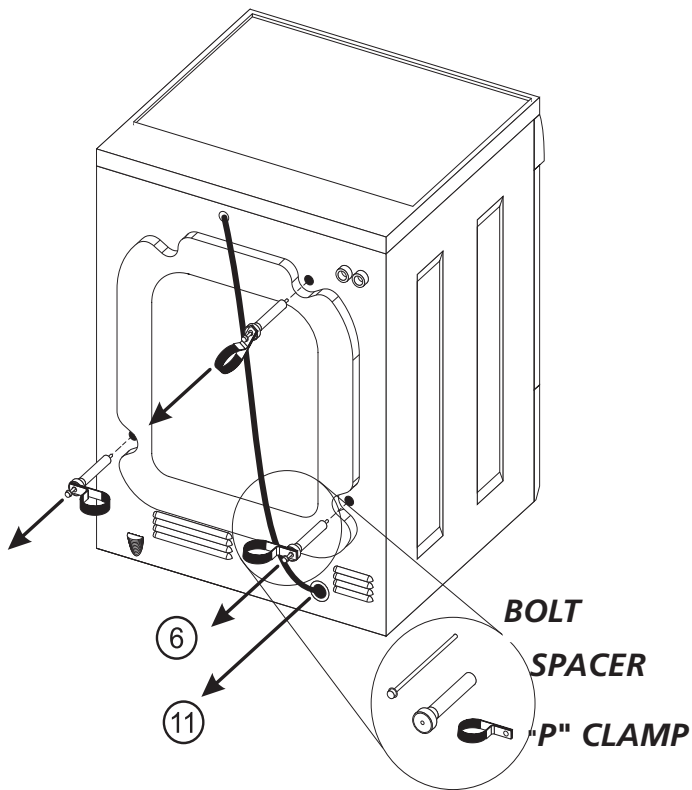
inch (cm)

(Figure 1).

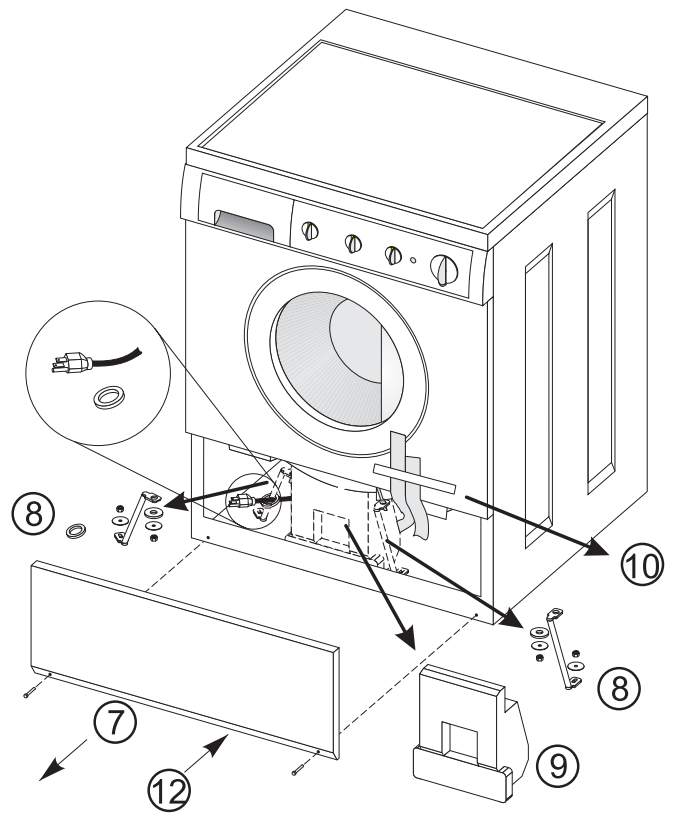
UNPACKING

1. Cut the shipping carton along the dotted line along the base of the unit.
2. While in the carton carefully lay the washer on its back side.
3. Remove the styrofoam base.
4. Carefully return the washer to an upright position and remove the carton.
5. Carefully move the washer to within 4 feet (122cm) of the final location.
6. Remove the following from the back side of the washer:

3 bolts,
3 yellow plastic spacers,
2 or 3 metal "P" clamps.



7. Remove the service panel from the front of the washer.
8. Remove the 4 nuts and 6 large washers that attach the 2 yellow shipping braces to the drum and the base. Lift up on the drum and remove the braces (a yellow ribbon surrounds the items to be removed). These braces must be removed to allow the power supply cord to be released from the shipping ring.



9. Remove the large styrofoam block located under the drum. Lift up on the drum, tilt the base of the foam block inwards toward the rear of the washer until free, then pull it out.
10. Remove and discard the yellow ribbon and label from the front of the washer.
11. From the rear of the washer, carefully pull out the power supply cord through the hole in the backsheet.
12. Replace the service panel and screws.

NOTE: If the washer is to be transported at a later date, the shipping support hardware must be reinstalled to prevent shipping damage.

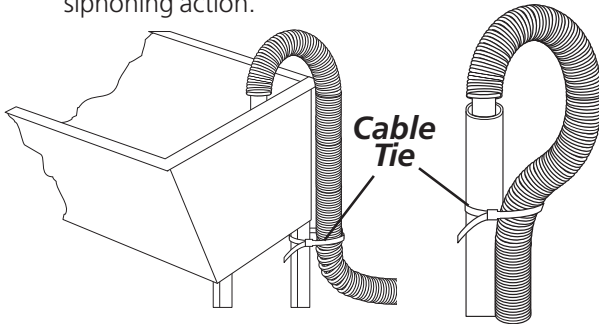
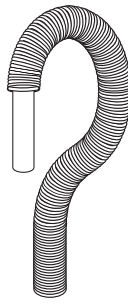
INSTALLATION

1. Run some water from the hot and cold faucets to flush the water lines and remove particles that might clog up the water valve screens.
2. Remove the inlet hoses and rubber washers from the plastic bag and install the rubber washers in each end of the inlet hoses.
3. Carefully connect the inlet hose marked "HOT" to the outside "H" outlet of the water valve. Tighten by hand, then tighten another 2/3 turn with pliers. Carefully connect the other inlet hose to the inside "C" outlet of the water valve. Tighten by hand, then tighten another 2/3 turn with pliers. **Do not crossthread or over-tighten these connections.**
4. Connect the inlet hose ends to the HOT and COLD water faucets tightly by hand, then tighten another 2/3 turn with pliers. Turn the water on and check for leaks.



- On machines equipped with drain pump, form a U shape on the end of the drain hose, with the hose pointed toward the drain.

NOTE: If the drain hose is placed in a standpipe without forming a U shape, a siphoning action could occur. There must be an air gap around the drain hose. A snug hose fit can also cause a siphoning action.

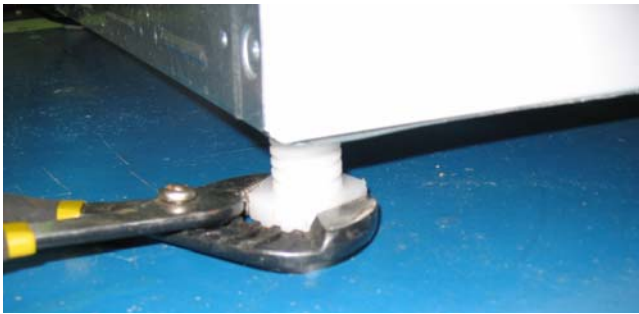


- Carefully move the washer to its final location.

NOTE: Do not use the dispenser drawer or door to lift washer.

Excessive noise and vibration can be prevented by properly leveling the washer.

- For free standing installation and with the washer in its final position, place a level on top of the washer. Adjust the leveling legs so the washer is level front-to-rear and side-to-side, and stable corner-to-corner.



Press down on alternate corners and sides and feel for the slightest movement. Adjust the appropriate leg so the washer is SOLID on the floor on ALL four legs. Keep the leveling leg extension at a minimum for best performance of the washer.

- For pedestal installations, See additional installation instructions included with the pedestal.

- Plug the power cord into a grounded outlet.

NOTE: Check to ensure the power is off at the circuit breaker/fuse box before plugging the power cord into an outlet.

- Turn on the power at the circuit breaker/fuse box.

- Be sure you have read the "Important Safety Instructions" before operating this washer.

- Run the washer through a complete cycle. Check for water leaks and proper operation.

- Keep these instructions for future reference.

NOTE: A wiring diagram is located inside the washer on the side panel.

COIN BOX ADJUSTMENT

The tight fit of the money box is set at the factory. Customer may loosen fit as desired by loosening the slotted nuts. See FIG.2.

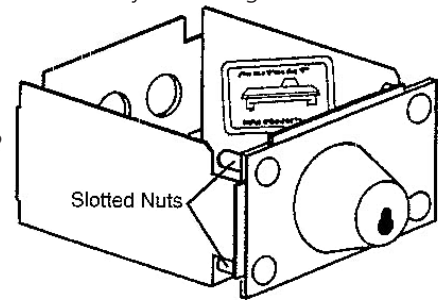


FIGURE 2

Keep A record of all coin-box key numbers.

A lost key can only be replaced by ordering the key numbers from the place where the unit was purchased. The key number is located both on the key and behind the end panel of the coin box. If the key number is not available, the lock must be drilled out to remove the coin box.

Instructions for Changing Vend Price

TOOLS NEEDED

- Medium sized slotted screwdriver
- Small slotted Phillips screwdriver

Place all screws and other items removed from coin slide assembly on a cloth so they will not get lost.

STEP 1

Remove slide mechanism from meter case. (see FIGURE 1).

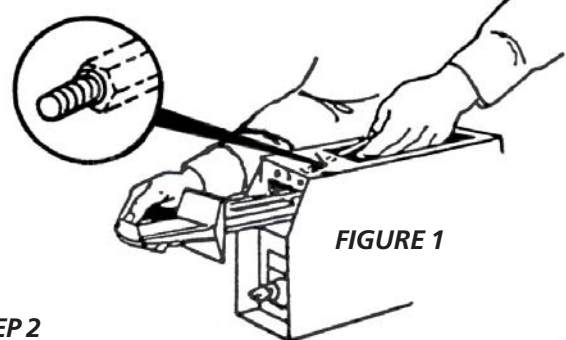


FIGURE 1

STEP 2

Remove the coin slide extension from coin slide by removing two mounting screws and spacers (see FIGURE 2).

(2) Mounting Screws
and Spacers

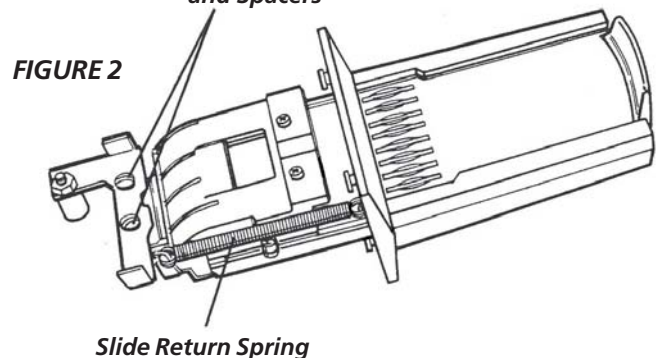


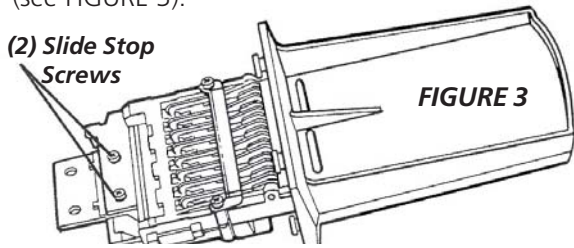
FIGURE 2

Slide Return Spring

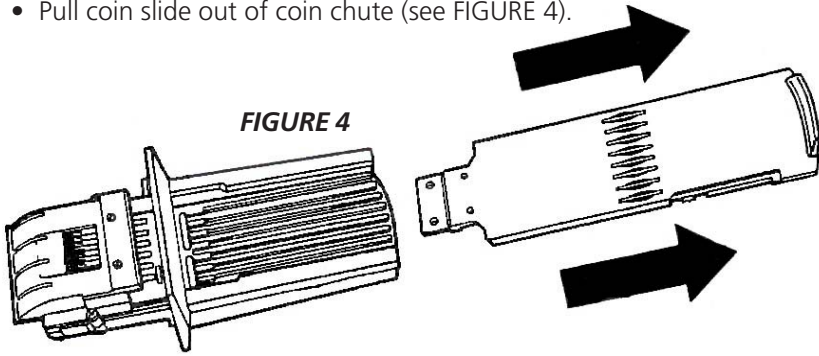
STEP 3

Remove coin slide from coin chute:

- Unhook and remove the coin slide return spring. (see FIGURE 2).
- Turn coin slide mechanism upside down.
- Remove coin slide stop by taking out two screws to the chute bottom (see FIGURE 3).



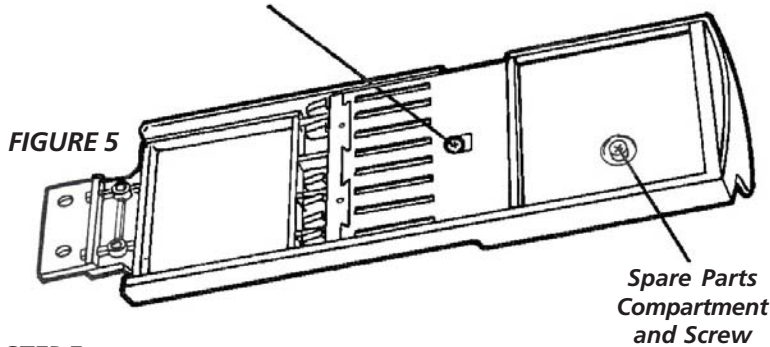
- Pull coin slide out of coin chute (see FIGURE 4).



STEP 4

Turn coin slide upside down and remove screw that holds coin receiver block (see FIGURE 5).

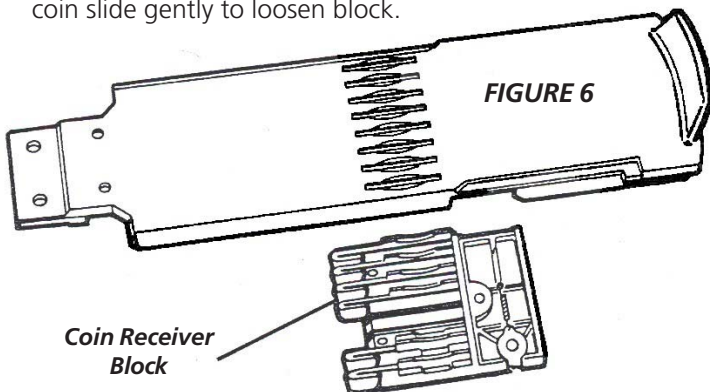
(1) Receiver Block Screw



STEP 5

Remove coin receiver block from coin slide (see FIGURE 6):

- Turn coin slide right side up. Keep coin receiver block in place with your fingers.
- Carefully lift coin slide from coin receiver block. If necessary, shake coin slide gently to loosen block.



STEP 6

Set new vend price by adding or removing the appropriate block-out keys and/or dime inserts according to the Table of Vend Prices (see FIGURE 7).

FIGURE 7

TABLE OF VEND PRICE

VEND PRICE	COIN SLOTS							
	1	2	3	4	5	6	7	8
0	█	█	█	█	█	█	█	█
\$.10	□	█	█	█	█	█	█	█
\$.20	□	□	█	█	█	█	█	█
\$.25	█	█	□	█	█	█	█	█
\$.35	□	█	█	█	█	█	█	█
\$.45	□	□	█	█	█	█	█	█
\$.50	█	█	□	□	█	█	█	█
\$.60	□	█	█	□	█	█	█	█
\$.70	□	□	□	█	█	█	█	█
\$.75	█	█	□	□	█	█	█	█
\$.85	□	█	█	□	█	█	█	█
\$.95	□	□	□	□	█	█	█	█
\$1.00	█	█	□	□	█	█	█	█
\$1.10	□	█	█	□	□	█	█	█
\$1.20	□	□	□	□	█	█	█	█
\$1.25	█	□	□	□	█	█	█	█
\$1.35	□	█	█	□	□	█	█	█
\$1.45	□	□	□	□	□	█	█	█
\$1.50	█	□	□	□	□	█	█	█
\$1.60	□	□	□	□	□	█	█	█
\$1.70	□	□	□	□	□	□	█	█
\$1.75	█	□	□	□	□	□	█	█
\$1.85	□	□	□	□	□	□	□	█
\$2.00	□	□	□	□	□	□	□	□

NOTE: Black colored slots are closed off by block-out key.

To remove block-out keys, pull straight up.

NOTE: Be sure block-out keys and /or dime inserts are seated properly and ratchet dog is in place with its spring connected (see FIGURE 8).

Be sure the proper coin sizing block is in place.

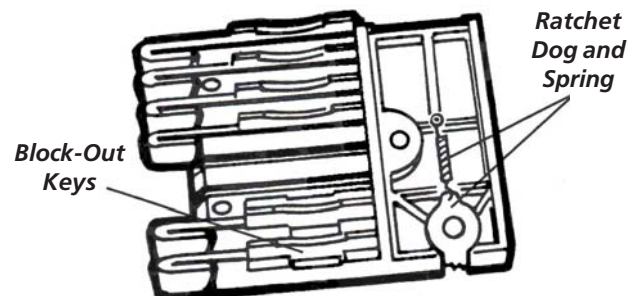


FIGURE 8

Change coin sizing block:

- Remove two screws that hold upper coin chute cover. Remove cover (see FIGURE 9).

FIGURE 9

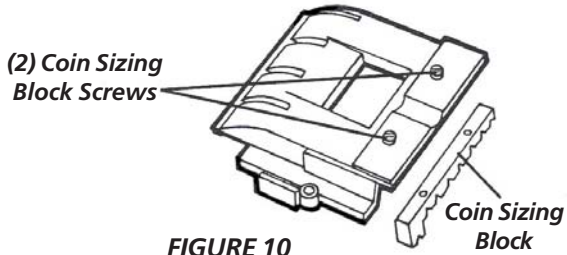
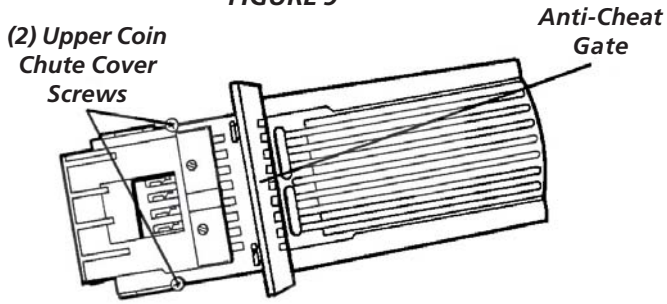


FIGURE 10

- Remove two screws that hold coin sizing block to upper coin chute cover cover (see FIGURE 10).
- Put new coin sizing block in place. Reinsert and tighten mounting screws.
- Replace coin chute cover. Reinsert and tighten screws.

STEP 7

Replace coin receiver block into slide:

- Hold coin receiver right side up in the palm of one hand.
- Lower coin slide until coin receiver block fits into the coin slide cavity. CAUTION: Do not dislodge ratchet dog and spring.
- Hold coin receiver block in place with your fingers and turn slide upside down.
- Insert and tighten screw.

STEP 8

Install slide into coin chute. Slide can only be pushed in if the anti-cheat gate in flange is pushed to the left. (see FIGURE 9).

STEP 9

Replace coin slide stop with two screws. Replace coin slide return spring. Replace coin slide extension with two screws (be sure spacers are in place).

STEP 10

Replace coin slide mechanism in meter case. Replace and tighten coin slide mounting bolt.

NOTE: It may be easier to insert coin slide mounting bolt if you remove the timer from the mounting screws temporarily.

Meter Case Instructions

INSTRUCTIONS TO CHANGE THE NUMBER OF COIN SLIDE INSERTIONS TO START APPLIANCE.

1. Disconnect power from machine.
2. Remove meter-case service door. (Fig.1)

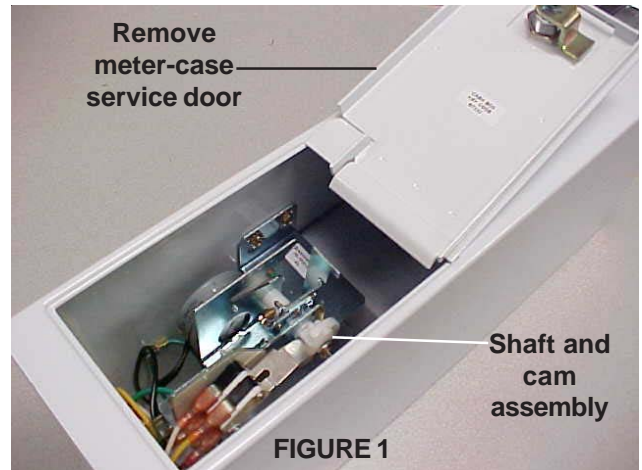


FIGURE 1

3. Turn Shaft & Cam Assembly in a clockwise direction until switch lever arm drops into cam notch (Fig. 2).
4. Lift Adjusting Tab away from cam with finger and turn Tab to desired number. Make sure Tab locks into place in new position.
5. Turn Shaft & Cam Assembly in a clockwise direction until switch lever arm is on top of Tab to assure that both mechanism switches are open (Fig. 3).
6. Replace meter-case service door and reconnect power to machine.

EXAMPLE: To change from \$1 to \$2 move tab from 1 to 2.

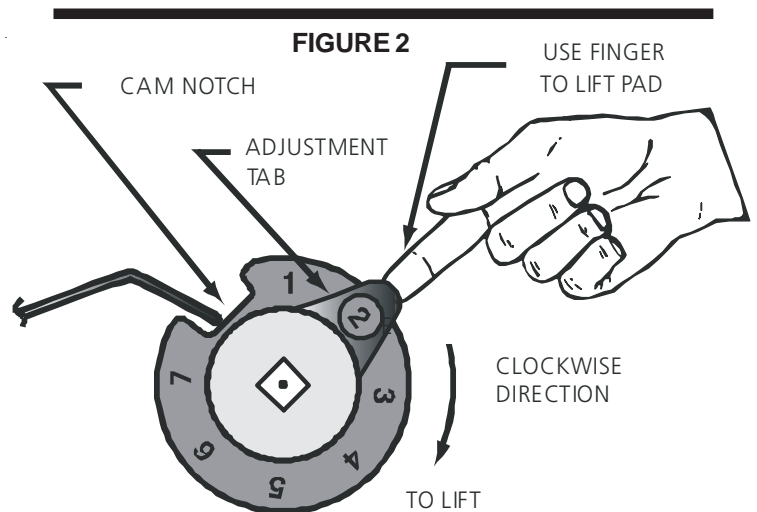


FIGURE 2

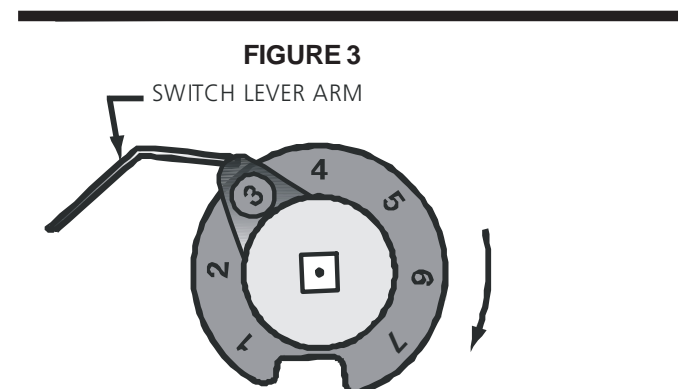


FIGURE 3

REPLACEMENT PARTS

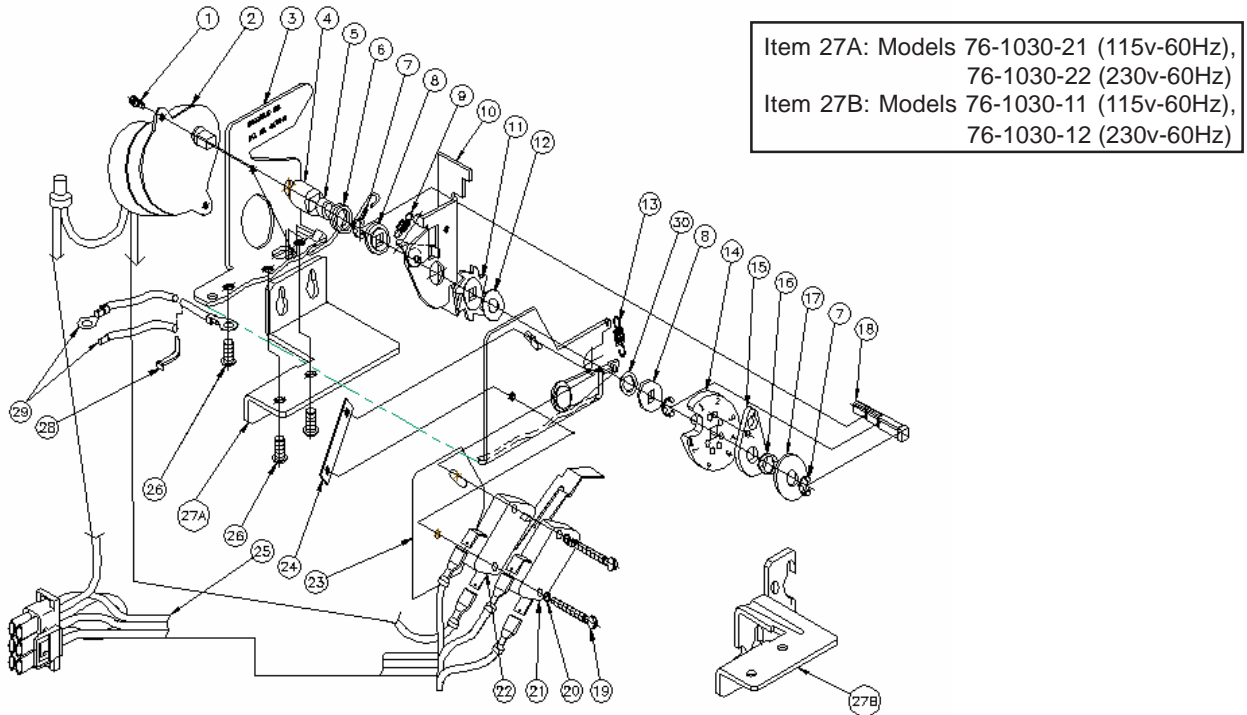
If replacement parts are needed for your dryer, contact the source where you purchased your dryer, or call Frigidaire at **1-866-738-1640**. For coin box parts, call 1-800-221-0982, Greenwald Industries.

⚠ WARNING Destroy the carton and plastic bags after the washer is unpacked. Children might use them for play. Cartons covered with rugs, bedspreads, or plastic sheets can become airtight chambers causing suffocation. Place all materials in a garbage container or make materials inaccessible to children.

⚠ WARNING The instructions in this manual and all other literature included with this washer are not meant to cover every possible condition and situation that may occur. Good safe practice and caution **MUST** be applied when installing, operating and maintaining any appliance.

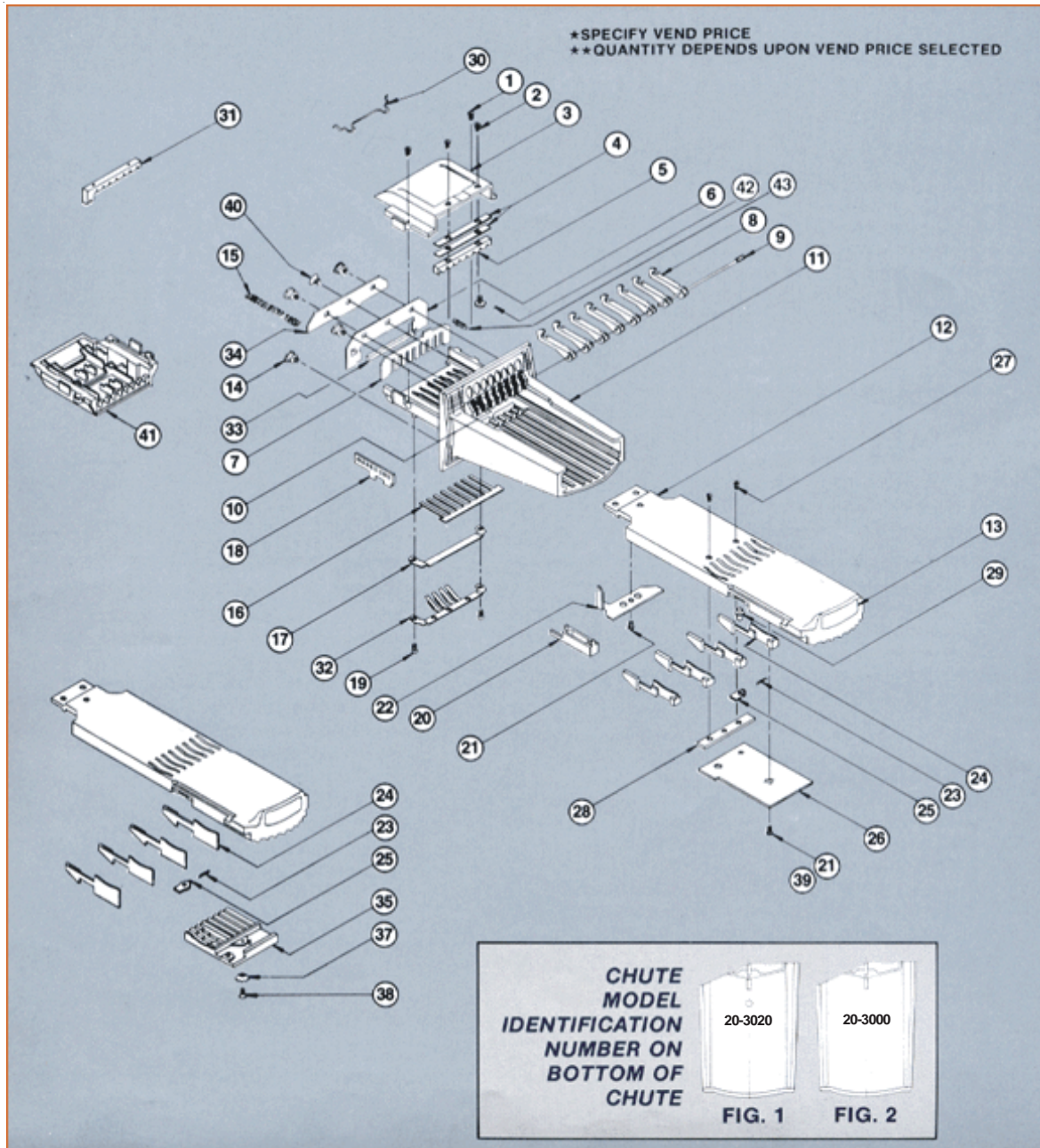
Maximum benefits and enjoyment are achieved when all the Safety and Operating instructions are understood and practiced as a routine with your laundering tasks.

Parts List for series 7682 "Quick-Change" Start Mechanism



ITEM	REQ'D	PART NO	DESCRIPTION	ITEM	REQ'D	PART NO	DESCRIPTION
1	2	00-7185	#4-40 SELF-TAPPING SC.	18	1	76-2026	DRIVE SHAFT
2	1	76-6009-*	TIMER MOTOR ASS'Y	19	2	00-7458	#4-40 3/16 PAN HD SC.
3	1	76-1037	SWITCH & BRACKET SUB-ASS'Y	20	2	00-7097	#4 SPLIT LOCKWASHER
4	1	76-5014	DRIVE SELEEVE	21	1	00-6189	SNAP SWITCH
5	1	76-2033	SLEEVE	22	1	00-6190	SNAP SW. & LEVER ARM ASS'Y
6	1	00-8149	TORSION SPRING	23	1	76-5009	SWITCH INSULATOR
7	3	00-7070	RETAINING RING	24	1	76-2035	NUT PLATE
8	2	76-5013	DRIVE BUSHING	25	1	76-6000	WIRE HARNESS ASS'Y
9	1	00-8003	SPRING	26	2	02-0810-00	#8-32x5/16 SEMS SCREW
10	1	76-1036	RACHTET ARM & PAWL ASS'Y	27A	1	76-2059	MOUNTING BRACKET
11	1	76-5017	RACHET WHEEL	27B	1	76-2027	MOUNTING BRACKET
12	1	76-2003	WASHER	28	1	59-0314	CABLE TIE
13	1	59-204	SPRING	29	1	58-172-*	GROUND WIRE
14	1	76-5012	CAM	30	1	00-7558	WASHER
15	1	76-5010	ADJUSTER TAB				
16	1	00-7055	SPRING WASHER				
17	1	00-7047	WASHER				

V8 Coin Chute Parts List



V8 Parts List

	DESCRIPTION	REQ.	20-3020	20-3000
1	SCREW (METRIC)	2	00-9724	00-7924
2	SCREW (METRIC)	2	00-7938	00-7938
3	TOP HOUSING	1	20-3019	20-3002
4	SHIM	2	20-2042	-----
5	COIN SIZING BLOCK	1	20-3006	20-3006
6	GATE COVER	1	20-2043	20-2006
7	GATE	1	20-2035	20-2000
8	SLIDE STOP DOG	8	20-2011	20-2011
9	DOG SHAFT	1	20-4004	20-4000
10	DECAL, CASTING	1	00-9905	00-9905
11	BODY CASTING	1	20-3020	20-3000
12	COIN SLIDE	1	20-3021	-----
13	DECAL, SLIDE	1	00-9104	00-9104
14	CHUTE LOCATING SCREW	4	00-7483	61-55
15	SLIDE RETURN SPRING	1	00-8148	00-8148

	DESCRIPTION	REQ.	20-3020	20-3000
16	SPRING	1	20-2040	20-2001
17	SPRING PROTECTOR	1	20-2038	20-2007
18	RACK	1	20-2023	20-2005
19	SCREW (METRIC)	2	00-7931	00-7931
20	10¢ INSERT varies		20-3023	20-5001
21	SCREW (METRIC)	2	00-7923	00-7929
22	SLIDE STOP	1	20-2039	20-2004
23	RATCHET DOG SPRING	1	00-8123	00-8123
24	BLOCKOUT KEY varies		20-5002	20-2010
25	SLIDE RATCHET DOG	1	20-2041	20-2008
26	STORAGE COMP. COVER		20-2037	20-2003
27	SCREW (METRIC)	2	00-7935	-----
28	BUFFER	1	20-2034	-----
29	RATCHET DOG POST	1	20-4005	-----
30	COIN RETAINER optional	Opt.	00-8168	-----

	DESCRIPTION	REQ.	20-3020	20-3000
31	COIN SIZING BLOCK varies		20-3007	20-3007
32	PRESSURE SPRING ASMY	Opt.	20-1012	20-1012
33	MAGNET	Opt.	00-9256	00-9256
34	SHIELD	Opt.	20-2045	20-2045
35	COIN RECEIVER BLOCK	1	-----	20-2003
37	LOCK WASHER	1	-----	00-7934
38	SCREW (METRIC)	1	-----	00-7933
39	SCREW (METRIC)	1	-----	00-7932
40	SCREW		00-7541	00-7541
41	TOP HOUSING ASMY		20-1103-1	20-1104-1

NEW VEND PRICE

Order Form

To change vend price, detach and mail the lower portion to:

**Customer Service Department
Greenwald Industries Inc.
212 Middlesex Ave.
Chester, CT 06412**

Order required parts using this tear-off. Block-out keys will be shipped to you at no charge. Follow product information instructions.

Quantity _____

Existing Vend Price _____

Name _____

Company _____

Address _____

City _____

State/Zip _____

Daytime phone _____

Purchase date _____

The coin chute has been pre-set at the factory.

When increasing in \$.25 pricing

Follow product information instructions; no extra parts required.

When decreasing in \$.25 pricing - or - changing to \$.10 pricing.

(Coin sizing block required; see "Changing Vend Price" section.)

COMMERCIAL APPLIANCE WARRANTY INFORMATION

Your appliance is covered by a **one year limited warranty**. For one year from your original date of purchase, Electrolux will pay all costs, except as set forth below, for repairing or replacing any parts of this appliance that prove to be defective in materials or workmanship when such appliance is installed, used, and maintained in accordance with the provided instructions.

Exclusions

This warranty does not cover the following:

1. Payment acceptance devices for commercial laundry products.
2. Products with original serial numbers that have been removed, altered or cannot be readily determined.
3. Normal wear and tear and gradual deterioration.
4. Product that has been transferred from its original owner to another party or removed outside the USA or Canada.
5. Rust on the interior or exterior of the unit.
6. Products purchased "as-is".
7. Food loss due to any refrigerator or freezer failures.
8. Damage caused at any time during shipment.
9. Service calls which do not involve malfunction or defects in materials or workmanship, or for appliances used other than in accordance with the provided instructions.
10. Service calls to correct the installation of your appliance or to instruct you how to use your appliance.
11. Expenses for making the appliance accessible for servicing, such as removal of trim, cupboards, shelves, etc., which are not a part of the appliance when it is shipped from the factory.
12. Service calls to replace appliance light bulbs, air filters, water filters, other consumables, or knobs, handles, or other cosmetic parts.
13. Surcharges including, but not limited to, any after hour, weekend, or holiday service calls, tolls, ferry trip charges, or mileage expense for service calls to remote areas, including the state of Alaska.
14. Damages to the finish of appliance and/or location that are incurred during installation, including but not limited to floors, cabinets, walls, etc.
15. Damages caused by: services performed by unauthorized service companies; use of parts other than genuine Electrolux parts or parts obtained from persons other than authorized service companies; or external causes such as abuse, misuse, inadequate power supply, accidents, fires, or acts of God.
16. Labor costs after ninety (90) days from your original date of purchase incurred for product repair or replacement as provided herein for appliances operated by a concessionaire or vendor in a trailer or other motorized vehicle or at varying locations.

DISCLAIMER OF IMPLIED WARRANTIES; LIMITATION OF REMEDIES

CUSTOMER'S SOLE AND EXCLUSIVE REMEDY UNDER THIS LIMITED WARRANTY SHALL BE PRODUCT REPAIR OR REPLACEMENT AS PROVIDED HEREIN. CLAIMS BASED ON IMPLIED WARRANTIES, INCLUDING WARRANTIES OF MERCHANTABILITY OR FITNESS FOR A PARTICULAR PURPOSE, ARE LIMITED TO ONE YEAR OR THE SHORTEST PERIOD ALLOWED BY LAW, BUT NOT LESS THAN ONE YEAR. ELECTROLUX SHALL NOT BE LIABLE FOR CONSEQUENTIAL OR INCIDENTAL DAMAGES SUCH AS PROPERTY DAMAGE AND INCIDENTAL EXPENSES RESULTING FROM ANY BREACH OF THIS WRITTEN LIMITED WARRANTY OR ANY IMPLIED WARRANTY. SOME STATES AND PROVINCES DO NOT ALLOW THE EXCLUSION OR LIMITATION OF INCIDENTAL OR CONSEQUENTIAL DAMAGES, OR LIMITATIONS ON THE DURATION OF IMPLIED WARRANTIES, SO THESE LIMITATIONS OR EXCLUSIONS MAY NOT APPLY TO YOU. THIS WRITTEN WARRANTY GIVES YOU SPECIFIC LEGAL RIGHTS. YOU MAY ALSO HAVE OTHER RIGHTS THAT VARY FROM STATE TO STATE.

If You Need Service

Keep your receipt, delivery slip, or some other appropriate payment record to establish the warranty period should service be required. If service is performed, it is in your best interest to obtain and keep all receipts. Service under this warranty must be obtained by contacting Electrolux at the addresses or phone numbers below.

Your appliance is covered by a one year limited warranty. For one year from your original date of purchase, Electrolux will pay all costs, except as set forth below, for repairing or replacing any parts of this appliance that prove to be defective in materials or workmanship when such appliance is installed, used, and maintained in accordance with the provided instructions. This warranty only applies in the USA and Canada. In the USA, your appliance is warranted by **Electrolux Major Appliances North America, a division of Electrolux Home Products, Inc.** In Canada, your appliance is warranted by **Electrolux Canada Corp.** Electrolux authorizes no person to change or add to any obligations under this warranty. Obligations for service and parts under this warranty must be performed by Electrolux or an authorized service company. Product features or specifications as described or illustrated are subject to change without notice.

USA 1.866.738.1640

Electrolux Major Appliances North America
P.O. Box 212378 August, GA 30907

Canada 1.866.738.1640

Electrolux Canada Corp.
5855 Terry Fox Way
Mississauga, Ontario, Canada L5V 3E4



Contents

Consignes de sécurité importantes.....	13-15
Avant l'installation.....	15
Installation électrique.....	15
Mise à la terre.....	15
Alimentation en eau.....	15
Évacuation d'eau.....	15
Dimensions de l'emplacement.....	16
Emplacement de la laveuse.....	17
Déballage.....	17
Installation.....	17
Posez le mécanisme de glissière à monnaie....	18-20
Instructions pour le boîtier du compteur.....	20-21
Pièces de rechange.....	21
Liste des pièces.....	21-22
Garantie.....	23

Enregistrement du produit

Pour des informations sur la garantie de Frigidaire ou pour communiquer avec le Centre de service Frigidaire, appelez **1-866-738-1640**

Pour tout service ou pièce pour la machine à laver à encaissement automatique Frigidaire, ayez à portée de la main le numéro du modèle, le numéro de série et la date d'achat. Enregistrez ces informations ci-dessous :

N° de modèle _____

N° de série _____

Date de l'achat _____

Enregistrez la boîte à monnaie

Numéro de la clé _____

Le numéro de la clé est situé sur la clé et/ou sur la boîte à monnaie.

SÉCURITÉ RELATIVE À UNE LAVEUSE

La sécurité de l'utilisateur et celle des autres sont très importantes.

Le guide de l'utilisateur, les consignes d'utilisation et les directives d'installation contiennent de nombreuses consignes de sécurité importantes. Toujours lire et respecter toutes les consignes de sécurité.

⚠ Voici le symbole de mise en garde. Ce symbole met en garde contre les risques pouvant entraîner le décès ou des blessures à soi ou aux autres. Tous les messages relatifs à la sécurité sont précédés du symbole de mise en garde et du terme « DANGER » ou « AVERTISSEMENT ». Ces termes signifient :

⚠ DANGER L'utilisateur sera tué ou gravement blessé s'il ne suit pas ces directives.

⚠ AVERTISSEMENT L'utilisateur peut être tué ou gravement blessé s'il ne suit pas ces directives.

Tous les messages relatifs à la sécurité indiquent le risque, comment réduire le risque de blessure et ce qui peut survenir si on ne suit pas les directives.

⚠ AVERTISSEMENT Pour votre sécurité, suivre les directives données dans le présent guide pour minimiser les risques d'incendie, d'explosion, de dommages matériels, de blessures et de mort.

- Ne pas entreposer ni utiliser d'essence ou d'autres vapeurs ou liquides inflammables à proximité de cette sècheuse ou de tout autre appareil électroménager.

- **QUE FAIRE S'IL Y A UNE ODEUR DE GAZ**

- N'allumer aucun appareil électrique.
- Ne toucher aucun commutateur électrique; ne pas utiliser le téléphone dans l'immeuble.
- Faire sortir tous les occupants de la pièce, de l'immeuble ou de la zone avoisinante.
- Appeler la compagnie de gaz immédiatement en utilisant le téléphone d'un voisin. Suivre les instructions de la compagnie de gaz.
- S'il est impossible de joindre la compagnie de gaz, appeler les pompiers.

L'installation et les réparations doivent être effectuées par un installateur ou un technicien qualifié ou par la compagnie de gaz.

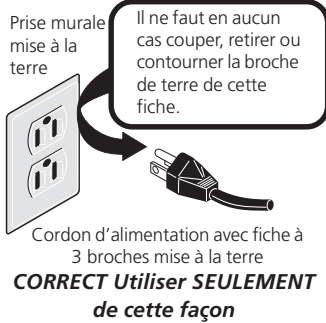
Votre laveuse est équipée d'un contact de sécurité de porte. Vérifiez l'opération appropriée du système de couplage quotidienne, en utilisant le procédé suivant:

1. Avec la porte de laveuse ouverte, insérez le nombre requis de pièces de monnaie (ou de la carte appropriée, sur des machines équipées de l'carte-commencez le système) et serrez le bouton marche. **LA LAVEUSE NE DOIT PAS COMMENCER !**

2. Fermez la porte de laveuse. Serrez le bouton marche encore pour mettre en marche la machine. Essayez d'ouvrir la porte, sans exercer la force excessive.

LA PORTE NE DOIT PAS S'OUVRIRE ! SI LA LAVEUSE COMMENCE PAR LA PORTE OUVERTE, OU LA PORTE PEUT ÊTRE OUVERTE TANDIS QUE LA LAVEUSE FONCTIONNE, LA MACHINE DOIT IMMÉDIATEMENT ÊTRE PRISE HORS DU SERVICE. DÉBRANCHEZ LE CORDON DE SECTEUR, ET MARQUEZ LA MACHINE "EN PANNE", JUSQU'À CE QUE LE SYSTÈME DE COUPLAGE SOIT RÉPARÉ, ET FONCTIONNEZ COMME DÉCRIT CI-DESSUS.

⚠ AVERTISSEMENT Pour prévenir les risques d'incendie ou d'électrocution, ne pas utiliser de fiche adaptatrice ni de cordon de rallonge et ne pas retirer la prise de terre du cordon d'alimentation électrique. Toute dérogation à cette consigne pourrait entraîner des blessures graves, un incendie ou la mort.



⚠ AVERTISSEMENT Ne pas utiliser ni mélanger de javellisant liquide chloré avec d'autres produits chimiques d'usage domestique comme les nettoyants pour cuvettes, les produits dégraissants, acides ou contenant de l'ammoniaque. Ces mélanges peuvent dégager des vapeurs dangereuses capables de causer des blessures graves ou la mort.



POUR VOTRE SÉCURITÉ
Ne pas entreposer ni utiliser de l'essence ni tout autre liquide inflammable à proximité de cet appareil ou de tout autre appareil électroménager.

Consignes de sécurité importantes

CONSERVER CE MODE D'EMPLOI

⚠ AVERTISSEMENT Pour réduire le risque de feu, de choc électrique, de blessure grave ou de dommage aux biens, respectez les avertissements de base énumérés dans les **Instructions de sécurité importantes** et ceux énumérés ci-dessous :

- Pour réduire les risques d'incendie, d'électrocution ou de blessures pendant l'utilisation de la laveuse, respecter toutes les mises en garde fondamentales qui suivent.
- Toute dérogation à ces mises en garde pourrait entraîner des blessures graves.

Prévention des incendies

- Ne pas laver dans cet appareil des articles qui ont été au préalable lavés ou trempés dans de l'essence, du solvant nettoyant, du kérosène, de l'huile à cuisson, de la cire, etc., ni des articles qui sont souillés de ces produits. Ne pas entreposer de tels articles sur la laveuse ni à proximité de celle-ci. Les produits décrits ci-dessus dégagent des vapeurs ou réactions chimiques qui peuvent s'enflammer ou exploser.
- Ne pas déposer de chiffons ou de vêtements imbibés d'huile ou de graisse sur le dessus de la laveuse. Ces substances dégagent des vapeurs qui peuvent enflammer les tissus.
- Ne pas ajouter d'essence, de solvant nettoyant ni toute autre substance inflammable ou explosive à l'eau de lavage. Ces substances dégagent des vapeurs qui peuvent s'enflammer ou exploser.
- Dans certaines circonstances, de l'hydrogène peut s'accumuler dans les canalisations d'eau chaude qui demeurent inutilisées pendant deux semaines ou plus. **L'HYDROGÈNE EST UN GAZ EXPLOSIF.** Si la canalisation d'eau chaude n'a pas été utilisée depuis au moins deux semaines, ouvrir tous les robinets d'eau chaude et laisser couler l'eau pendant plusieurs minutes avant d'utiliser la laveuse. De cette façon, toute trace d'hydrogène sera purgée de la canalisation. L'hydrogène est un gaz explosif; ne pas fumer ni utiliser de flamme vive pendant la purge de la canalisation.
- Toute dérogation à ces mises en garde pourrait entraîner un incendie, une explosion, des blessures graves ou des dommages aux pièces en caoutchouc ou en plastique de la laveuse.

Protection des enfants

- Ne pas permettre aux enfants de jouer sur la laveuse ni à l'intérieur de celle-ci. Lorsque la laveuse est utilisée à proximité d'enfants, il est recommandé de les surveiller attentivement. Dès que les enfants sont assez grands, leur enseigner l'utilisation correcte et sécuritaire de tous les appareils électroménagers.
- Détruire la boîte, le sac en plastique et les autres matériaux d'emballage qui enveloppent la laveuse. Les enfants risqueraient de s'en servir comme jouet. Les cartons recouverts d'un tapis, d'un couvre-lit ou d'une feuille de plastique peuvent former une chambre étanche.
- Garder les produits à lessive hors de portée des enfants. Pour prévenir les blessures, respecter toutes les consignes de sécurité qui figurent sur l'étiquette de ces produits.
- Avant de mettre la laveuse hors d'usage ou de la jeter, retirer la porte pour éviter que quelqu'un ne s'emprisonne accidentellement dans l'appareil.
- Toute dérogation à ces mises en garde pourrait entraîner des blessures graves.
- Pour prévenir les blessures, ne pas insérer la main dans la laveuse tant que les pièces mobiles sont en mouvement. Avant de charger ou de décharger une brassée ou d'ajouter des articles, enfoncez le sélecteur de cycle et attendez que le tambour s'arrête complètement avant d'insérer la main dans la laveuse.
- Toute dérogation à ces mises en garde pourrait entraîner des blessures graves.
- Cette laveuse est pourvue d'un disjoncteur thermique. Le moteur s'éteint de lui-même lorsqu'il surchauffe. La laveuse redémarre d'elle-même après une période de refroidissement pouvant atteindre 30 minutes à condition qu'elle n'ait pas été arrêtée manuellement.

Prévention des blessures

- Examinez le journal de système de couplage de porte. Suivez les instructions à la page précédente.
- Pour prévenir les risques d'électrocution et assurer la stabilité de l'appareil pendant le fonctionnement, la laveuse doit être installée et mise à la terre par un technicien qualifié conformément aux codes locaux. La Notice d'installation accompagne la laveuse, mais elle est destinée à l'installateur. Se reporter à la NOTICE D'INSTALLATION pour obtenir la marche à suivre pour la mise à la terre. Si la laveuse doit être déplacée, la faire vérifier et réinstaller par un technicien qualifié.
- Pour prévenir les blessures et éviter d'endommager la laveuse, le cordon d'alimentation électrique de la laveuse doit être branché dans une prise à 3 trous correctement mise à la terre et polarisée. **La troisième broche de mise à la terre ne doit en aucun cas être retirée. Ne jamais relier la laveuse à un tuyau de gaz pour la mettre à la terre. Ne pas utiliser de cordon de rallonge ni de fiche adaptatrice.**
- Suivre le mode d'emploi de chaque produit à lessive utilisé. Une utilisation incorrecte pourrait produire des gaz toxiques et causer des blessures graves ou la mort.
- **Ne pas** utiliser plus d'un seul produit à lessive par brassée, à moins d'indications contraires sur l'emballage.
- **Ne pas** mélanger d'eau de javel avec de l'ammoniaque ou des produits acides comme le vinaigre.

Consignes de sécurité importantes (suite)

- Pour prévenir les blessures graves et ne pas endommager la laveuse :
 - **Les réparations et l'entretien doivent être effectués uniquement par un agent de service autorisé** à moins d'indications spécifiques à l'effet contraire dans le présent Guide de l'utilisateur. N'utiliser que des pièces recommandées par le fabricant.
 - **Ne pas** modifier les commandes.
 - **Ne pas** installer ni entreposer la laveuse dans un endroit où elle serait exposée aux conditions atmosphériques.
 - **N'installez pas** la machine à laver sur un tapis. Installez la sur un plancher solide. Il s'avérera peut-être nécessaire de solidifier le plancher pour empêcher les vibrations et le déplacement de la machine.
- Pour réduire les risques d'électrocution, débrancher l'appareil de sa source d'alimentation avant d'effectuer toute mesure d'entretien. Même si les commandes sont en position fermée (OFF), l'appareil demeure relié à sa source d'alimentation.

AVANT L'INSTALLATION

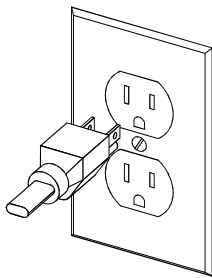
Outils requis pour l'installation :

1. Tournevis à douille de 1/4 po
2. Clé à cliquet avec douille de 3/8 po
3. Clé ouverte de 3/8 po
4. Clé à cliquet avec douille de 7/16 po
5. Clé ouverte de 9/16 po
6. Pincettes multiprise
7. Niveau de menuisier

INSTALLATION ÉLECTRIQUE

CIRCUIT - Dérivation distincte convenablement polarisée et mise à la terre de 15 A avec fusible à retardement ou disjoncteur de 15 A.

ALIMENTATION ÉLECTRIQUE - 2 fils avec prise de terre, 120 volts, une phase, 60 Hz, courant alternatif. NOTE: L'utilisation d'une laveuse avec le courant d'un générateur à gaz, d'un générateur à solaire, d'un générateur à vent, ou d'un autre générateur excepté la centrale électrique n'est pas recommandée.



PRISE DE COURANT - Prise à 3 ouvertures convenablement mise à la terre et située de façon à ce que le cordon d'alimentation électrique soit accessible une fois la laveuse en place. NOTE: Prise à GFI (Ground Fault Interrupter) n'est pas requise.

MISE À LA TERRE

⚠ AVERTISSEMENT Le branchement inadéquat du conducteur de mise à la terre pourrait présenter un risque d'électrocution. En cas de doute quant à la mise à la terre adéquate de l'appareil, contacter un électricien agréé.

1. La laveuse **DOIT** être mise à la terre. En cas de mauvais fonctionnement ou de panne, la mise à la terre réduit les risques d'électrocution en offrant un parcours de moindre résistance au courant.
2. Puisque cette laveuse est pourvue d'un cordon d'alimentation électrique comportant un conducteur et une fiche de terre, la fiche **DOIT** être branchée dans une prise murale à conducteur en cuivre convenablement raccordée au réseau et mise à la terre conformément à tous les codes et ordonnances locaux ou, s'il n'existe pas de codes locaux, conformément au Code ANSI/NFPA 70 (l'édition la plus récente).

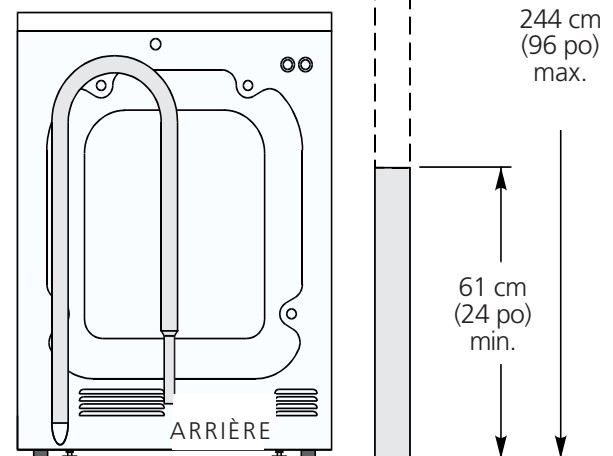
En cas de doute, contacter un électricien agréé. **NE PAS** couper ni modifier la broche de mise à la terre du cordon d'alimentation électrique. Lorsque la prise murale n'a que deux ouvertures, il incombe au propriétaire de la laveuse de contacter un électricien agréé pour remplacer cette prise par une prise à trois ouvertures **convenablement mise à la terre**.

ALIMENTATION EN EAU

Les robinets d'eau chaude et d'eau froide **DOIVENT** être installés à au plus 107 cm (42 po) de l'arrivée d'eau de la laveuse. Les robinets **DOIVENT** être du type qu'on utilise pour un boyau d'arrosage et mesurer 1,9 cm (3/4 po) pour que les boyaux d'arrivée d'eau puissent être branchés. La pression de l'eau **DOIT** se situer entre 10 et 120 livres par pouce carré (écart de pression maximum entre l'eau chaude et l'eau froide de 10 lb/po²). Le service des aqueducs de votre localité peut vous aider à déterminer la pression d'eau. L'eau chaude devrait être à environ 49°C (120°F).

ÉVACUATION D'EAU

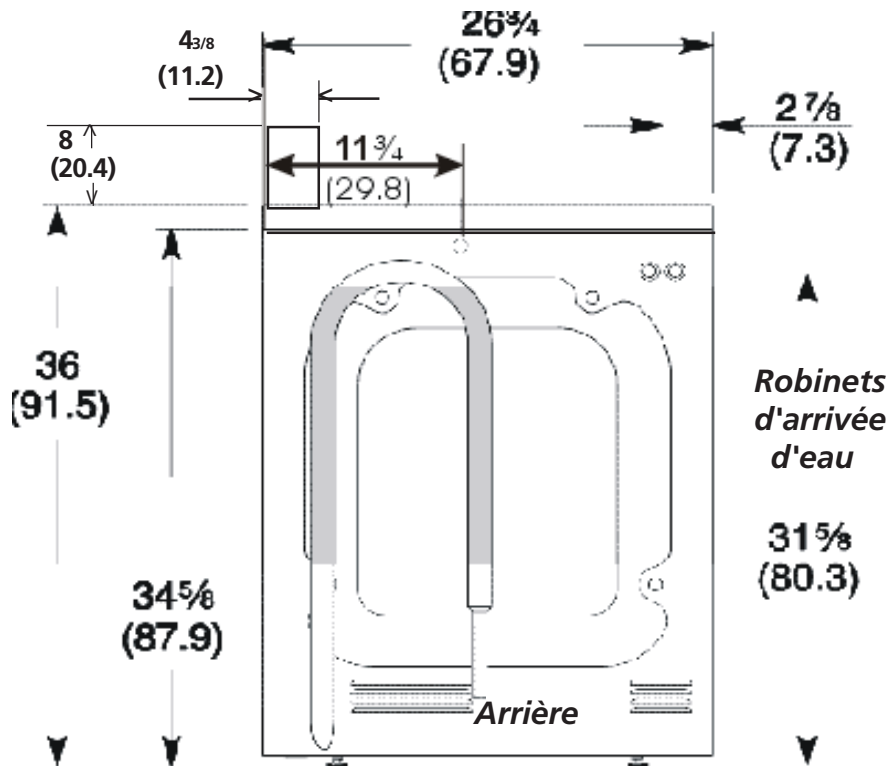
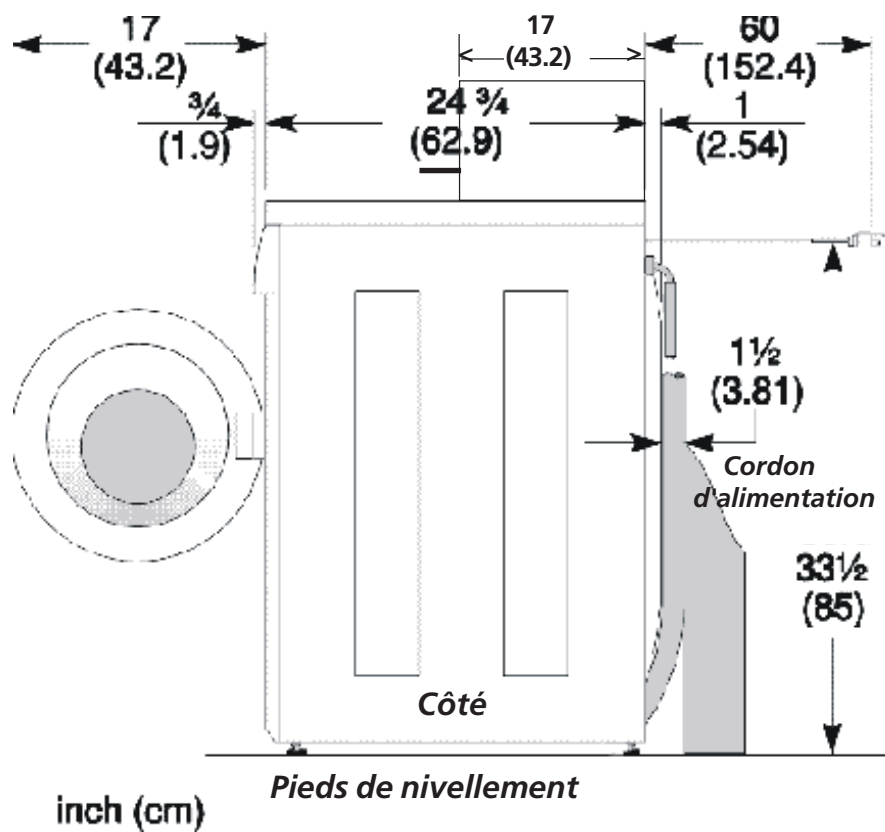
1. Renvoi capable d'évacuer 64,3 L (17 gallons) par minute.
2. Tuyau de chute de 3,18 cm (1-1/4 po) de diamètre au minimum.
3. Hauteur du tuyau de chute par rapport au plancher :
 - Hauteur minimum : 61 cm (24 po)
 - Hauteur maximum : 244 cm (96 po)



REMARQUE :

Le boyau d'évacuation relié à la laveuse peut atteindre un tuyau de chute de 147 cm (58 po). Pour les tuyaux de chute plus élevés, se procurer un boyau n° de pièce 131461201 auprès d'un fournisseur de pièces agréé. Si le renvoi mesure moins de 61 cm (24 po), poser un ensemble anti-siphon, se procurer auprès d'une quincaillerie locale.

DIMENSIONS DE L'EMPLACEMENT



EMPLACEMENT DE LA LAVEUSE

NE PAS INSTALLER LA LAVEUSE :

1. Dans un endroit exposé à un écoulement d'eau ou aux conditions atmosphériques. La température ambiante ne doit jamais descendre en-dessous de 15,6°C (60°F) pour que la laveuse fonctionne correctement.
2. Dans un endroit où elle serait en contact avec des rideaux ou des tentures.
3. Dans un endroit (garage ou structure semblable) où de l'essence ou d'autres produits inflammables sont conservés ou entreposés (y compris une automobile).
4. Sur un tapis. Le plancher **DOIT** être ferme et présenter une pente maximum de 1,27 cm par 30,5 cm (1/2 po par pied). Pour éviter toute vibration ou tout mouvement, il peut être nécessaire de renforcer le plancher.

IMPORTANT

DÉGAGEMENTS MINIMAUX POUR L'INSTALLATION

Installation en alcôve ou armoire:

Côtés, Arrière = 0 cm (0 po)

Dessus = 0 cm (0 po) **Modèle à Console Avant**

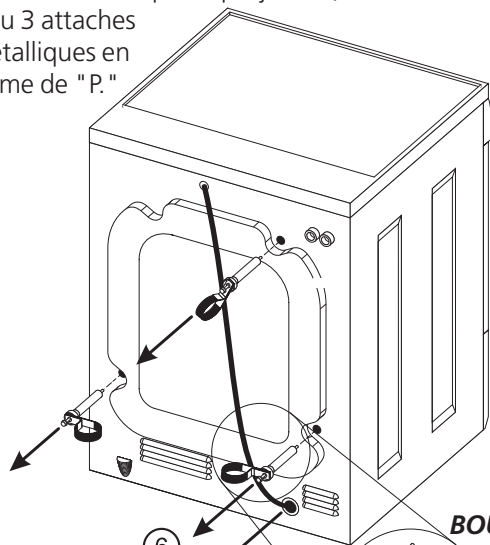
Dessus = 38,1 cm (15 po) **Modèle à Console Arrière**

Installation en armoire: Avant = 2,54 cm (1 po)

Ventilation requise dans la porte du placard: 2 ouvertures chacune 2 volets de 387 cm² (60 po², chacun, à 7,6 cm (3 po) du bas et du haut de la porte.

DÉBALLAGE

1. Couper le carton d'emballage le long de la ligne pointillée dans le bas de l'appareil.
2. En laissant l'appareil dans le carton, coucher la laveuse sur son panneau arrière.
3. Retirer la base en styrofoam.
4. Replacer délicatement la laveuse à la verticale, puis retirer le carton.
5. Déplacer délicatement la laveuse jusqu'à ce qu'elle soit à environ 122 cm (4 pieds) de son emplacement définitif.
6. Retirer les pièces suivantes de l'arrière de la laveuse :
3 boulon,
3 entretoises en plastique jaunes,
2 ou 3 attaches métalliques en forme de "P."

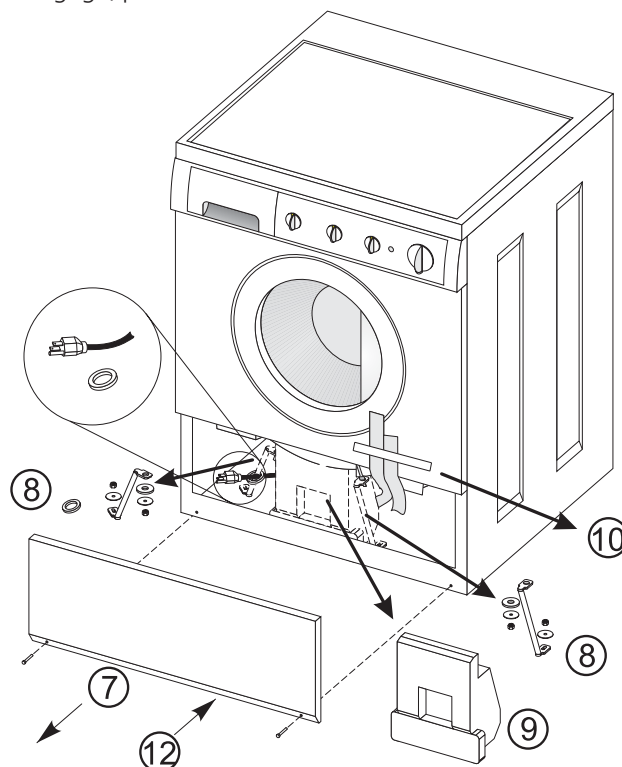


BOULONS

ENTRETOISES

ATTACHES
EN FORME
DE 'P'

7. Retirer le panneau avant de la laveuse.
8. Démontez les 4 écrous et les 6 grosses rondelles qui retiennent les deux attaches d'expédition jaunes au tambour et à la base. Soulevez le tambour et retirez les attaches (un ruban jaune entoure les éléments à retirer). Il faut retirer ces attaches afin de libérer le cordon d'alimentation des anneaux d'expédition.
9. Retirer le grand morceau de styrofoam situé sous le tambour. Soulever le tambour, basculer le bas du morceau de mousse vers l'intérieur et vers l'arrière de la laveuse jusqu'à ce qu'il se dégage, puis le sortir en tirant.



10. Retirer et jeter le ruban jaune et l'étiquette du devant de la laveuse.
11. A l'arrière de la machine à laver, irez soigneusement le cordon d'alimentation à travers du trou pourvu à cette fin dans le panneau arrière.
12. Remonter le panneau de service et les vis.

REMARQUE :

Dans l'éventualité où la machine à laver doit être transportée à une date ultérieure, il faut réinstaller la quincaillerie d'expédition, les attaches et supports, pour prévenir tout dommage durant l'expédition. Conservez cette quincaillerie dans l'enveloppe de plastique fournie à cet effet.

INSTALLATION

1. Ouvrir les robinets d'eau chaude et d'eau froide de façon à nettoyer la canalisation et à éliminer toute particule qui pourrait engorger le filtre des robinets.
2. Enlevez du sac en plastique les tuyaux d'arrivée et les rondelles caoutchouc et installez les rondelles à chaque extrémité.

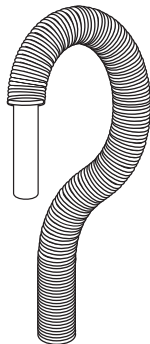


3. (Quatre-vingt-dix degrés des coudes) Branchez soigneusement le tuyau d'arrivée marqué HOT (CHAUDE) à la sortie inférieure de la soupape d'eau. Serrez à la main, puis serrez encore de 2/3 de tour à l'aide de pinces. Branchez soigneusement l'autre tuyau COLD (FROIDE) d'arrivée à la sortie supérieure de la soupape d'eau. Serrez à la main, puis serrez encore de 2/3 de tour à l'aide de pinces.

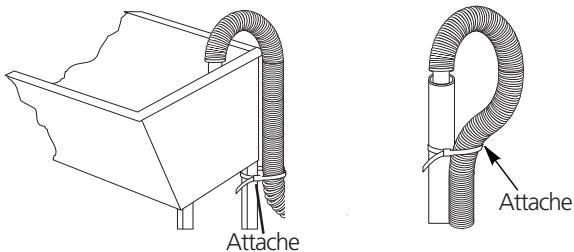
NE FAUS-SEZ PAS LE FILETAGE ET NE SERREZ PAS TROP CES RACCORDEMENTS.

4. Déterminez quel est le robinet d'eau **CHAUDE** et branchez soigneusement le tuyau d'arrivée inférieur au robinet d'eau **CHAUDE**, serrez à la main, puis serrez encore de 2/3 de tour, à l'aide de pinces. Branchez soigneusement le tuyau d'arrivée supérieur au robinet d'eau **FROIDE**, serrez à la main, puis serrez encore de 2/3 de tour, à l'aide de pinces.

5. Recourber l'extrémité du boyau de vidange en forme de U vers le circuit de vidange. Le placer dans une cuve ou un tuyau fixe et fixer le tout avec l'attache fournie dans l'ensemble ci-joint.



REMARQUE : Si le boyau de vidange est placé dans un tuyau sans être recourbé en forme de U, un effet de siphon peut en résulter. Il faut qu'il y ait une prise d'air autour du boyau de vidange. Un ajustement trop serré du boyau dans le tuyau de vidange peut également causer un effet de siphon.



6. Placer la laveuse avec soin dans son emplacement définitif.

Le bruit et la vibration excessifs peuvent être empêchés en nivelant correctement la laveuse.

7. Pour l'installation debout libre et avec la laveuse en elle est la position finale, placent un niveau sur la laveuse. Ajustez les jambes de mise à niveau ainsi la laveuse est, et coin-à-coin stable de l'avant à l'arrière et vertical de niveau.



Appuyez des coins et des côtés alternatifs et sentez pour le plus léger mouvement. Ajustez la jambe appropriée ainsi la laveuse est PLEINE sur le plancher sur CHACUNE DES quatre jambes. Gardez la prolongation de mise à niveau de jambe à un minimum pour la meilleure exécution de la laveuse.

8. Pour des installations de piédestal, Voir les instructions d'installation additionnelles incluses avec le piédestal.

9. Brancher le cordon d'alimentation électrique dans une prise murale mise à la terre.

REMARQUE : S'assurer que le courant est coupé à la boîte de fusibles ou de disjoncteurs avant de brancher le cordon dans la prise.

10. Remettre le courant à la boîte de fusibles ou de disjoncteurs.

11. Soyez sûr que vous avez lu "les instructions de sûreté importantes" avant d'actionner cette laveuse.

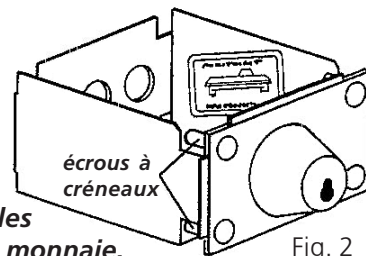
12. Faire fonctionner la laveuse sur un cycle complet. S'assurer qu'il n'y a pas de fuite et que la laveuse fonctionne correctement.

13. Placer cette notice près de la laveuse pour référence future.

REMARQUE : Un schéma de câblage se trouve dans le panneau avant de la laveuse.

RÉGLAGE DE LA BOÎTE À MONNAIE

Le réglage serré de la boîte à monnaie est effectué à l'usine. Le client peut la régler à son goût en desserrant les écrous à créneaux. Voir Fig. 2



Conserver en dossier tous les numéros de clé de boîte à monnaie.

Une clé perdue ne peut être remplacée qu'en commandant les numéros de clé à l'établissement où l'appareil a été acheté. Le numéro de clé est situé à la fois sur la clé et derrière le panneau du fond de la boîte à monnaie. Si le numéro de clé n'est pas disponible, le verrou doit être percé pour retirer la boîte à monnaie.

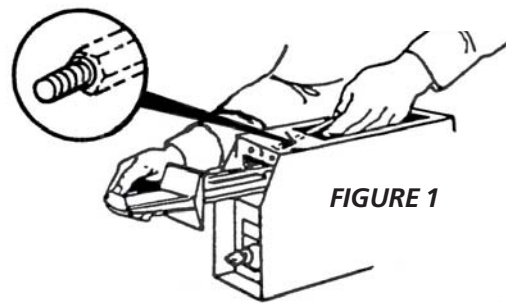
INSTRUCTION POUR MODIFIER LE PRIX DE VENTE

OUTILS REQUIS

- Tournevis à fente moyen pour écrou
 - Tournevis à petite pointe cruciforme
- Placez les tournevis et autres articles démontés de l'assemblage de la glissière à monnaie sur un linge de manière à ne pas les perdre.

ÉTAPE 1

Démontez le mécanisme de glissière du boîtier du compteur (Voir Figure 1)

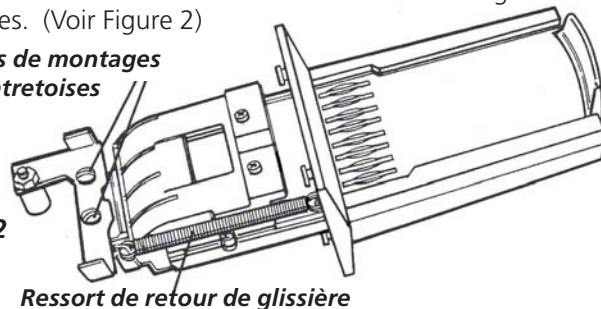


ÉTAPE 2

Démontez le rallonge de glissière à monnaie de la glissière à monnaie en démontant les deux vis de montage et les entretoises. (Voir Figure 2)

(2) Vis de montages et entretoises

FIGURE 2



ÉTAPE 3

Démontez la glissière à monnaie de la chute à monnaie :

- Décrochez et démontez le ressort de retour de la glissière à monnaie. (Voir Figure 2)
- Tournez le mécanisme de glissière sens dessus dessous.
- Démontez l'arrêt de glissière à monnaie en démontant les deux vis au bas de la chute (voir Figure 3).

(2) Vis d'arrêt de glissière.

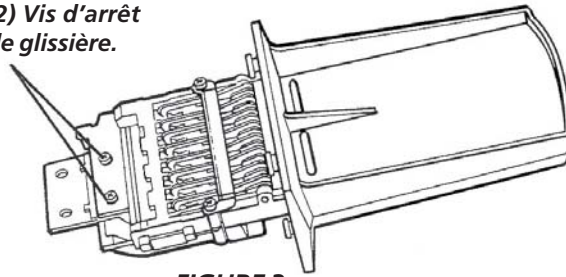


FIGURE 3

- Retirez de la chute à monnaie en la tirant de la glissière à monnaie (voir Figure 4).

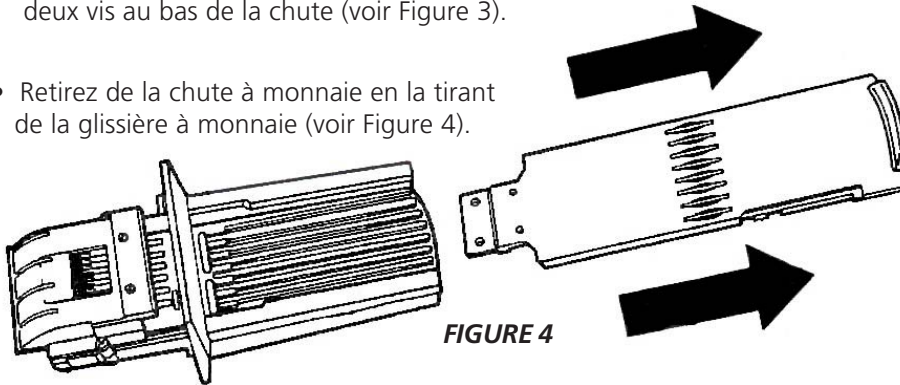
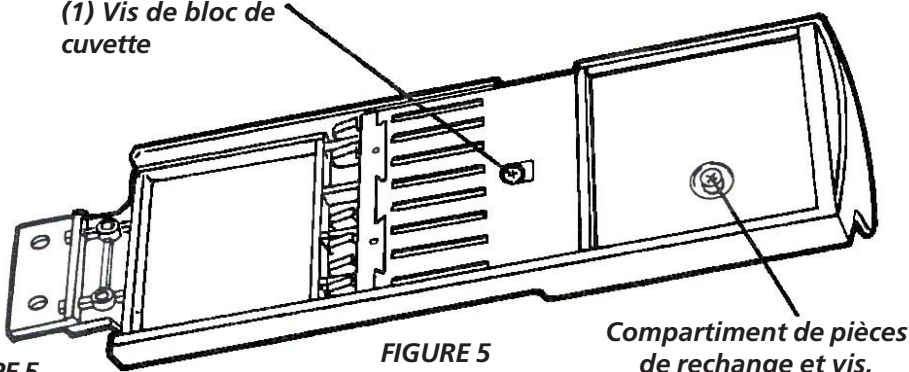


FIGURE 4

ÉTAPE 4

Tournez la glissière à monnaie sens dessus dessous et démontez la vis fixant le bloc de cuvette à monnaie (voir Figure 5).

(1) Vis de bloc de cuvette



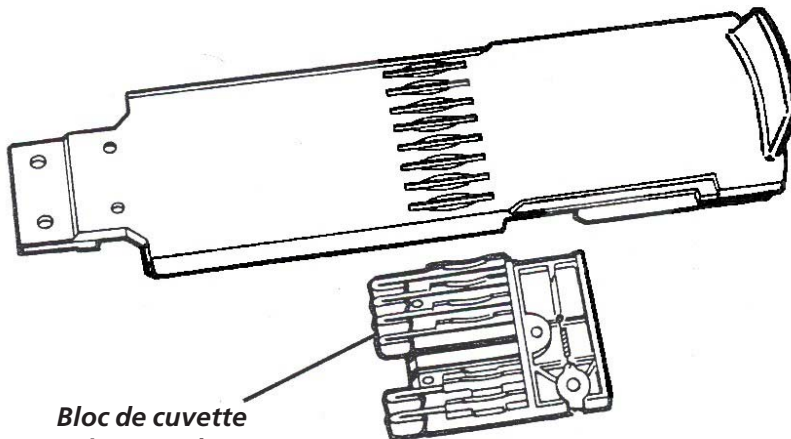
Compartment de pièces de rechange et vis.

FIGURE 5

ÉTAPE 5

Démontez le bloc de la cuvette à monnaie de la glissière à monnaie (Voir Fig. 6):

- Tournez le côté droit de la glissière à monnaie vers le haut. Gardez le bloc de la cuvette à monnaie en place avec vos doigts.
- Soulevez prudemment la glissière à monnaie du bloc de la cuvette à monnaie. Au besoin, agitez doucement la glissière à monnaie pour la desserrer du bloc.



Bloc de cuvette à monnaie

FIGURE 6

ÉTAPE 6

Fixez le nouveau prix de vente en ajoutant ou enlevant les clés bloquées appropriées et/ou les languettes à pièce de monnaie selon le Tableau de prix de vente (voir Figure 7).

NOTA : Les fentes de couleur noire sont fermées par une clé bloquée.

FIGURE 7

TABLEAU DE PRIX DE VENE

VEND PRICE	COIN SLOTS							
	1	2	3	4	5	6	7	8
0	■	■	■	■	■	■	■	■
\$.10	□	■	■	■	■	■	■	■
\$.20	□	□	■	■	■	■	■	■
\$.25	■	■	□	■	■	■	■	■
\$.35	□	■	□	■	■	■	■	■
\$.45	□	□	□	■	■	■	■	■
\$.50	■	■	□	□	■	■	■	■
\$.60	□	■	□	□	■	■	■	■
\$.70	□	□	□	□	■	■	■	■
\$.75	■	■	□	□	■	■	■	■
\$.85	□	■	□	□	■	■	■	■
\$.95	□	□	□	□	■	■	■	■
\$1.00	■	■	□	□	□	■	■	■
\$1.10	□	■	□	□	□	■	■	■
\$1.20	□	□	□	□	□	■	■	■
\$1.25	■	□	□	□	□	■	■	■
\$1.35	□	■	□	□	□	□	■	■
\$1.45	□	□	□	□	□	□	■	■
\$1.50	■	□	□	□	□	□	■	■
\$1.60	□	□	□	□	□	□	□	■
\$1.70	□	□	□	□	□	□	□	□
\$1.75	■	□	□	□	□	□	□	□
\$1.85	□	□	□	□	□	□	□	□
\$2.00	□	□	□	□	□	□	□	□

Pour démonter les clés bloquées, tirez-les en ligne droite.

NOTA : Assurez-vous que les clés bloquées et/ou les languettes à pièce de monnaie sont bien assises et le toc à rochet en place avec son ressort raccordé (voir Figure 8).

Assurez-vous que le bloc de dimension de pièce de monnaie approprié est en place.

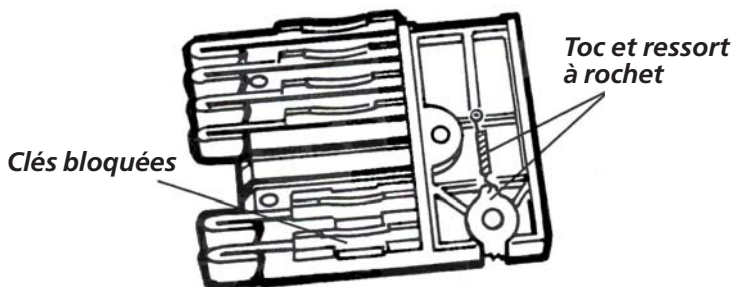


FIGURE 8

Changer un bloc de dimension de pièce de monnaie :

- Démontez les deux vis fixant le couvercle supérieur de la chute à monnaie. Retirez le couvercle (voir Figure 9).

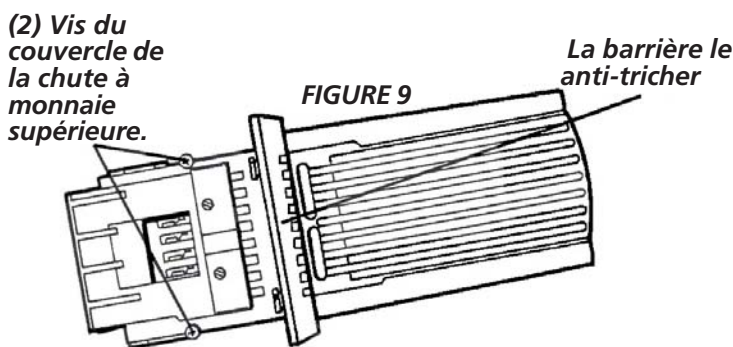


FIGURE 9

(2) Vis de bloc de dimension de pièce de monnaie.

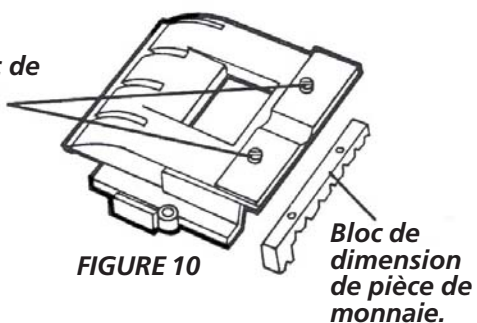


FIGURE 10

- Démontez les deux vis fixant le bloc de dimension de pièce de monnaie au couvercle supérieur de la chute à monnaie (voir Figure 10).
- Posez le nouveau bloc de dimension de pièce de monnaie. Reposez et serrez les vis de montage.
- Remplacez le couvercle de la chute à monnaie. Réinsérez et serrez les vis.

ÉTAPE 7

Remplacez le bloc de la cuvette à monnaie dans la glissière:

- Tenez le côté droit de la cuvette à monnaie vers le haut dans la paume de votre main.
- Abaissez la glissière à monnaie jusqu'à ce que le bloc de cuvette à monnaie s'insère dans la cavité de la glissière à monnaie. ATTENTION : Ne délogez pas le toc et le ressort à rochet.
- Tenez le bloc à cuvette à monnaie en place avec vos doigts et tournez la glissière sens dessus dessous.
- Insérez et serrez les vis.

ÉTAPE 8

Posez la glissière dans la chute à monnaie. La glissière ne peut être insérée que si la gâchette anti-ivol dans la bride est poussée à gauche (voir Figure 9).

ÉTAPE 9

Reposez l'arrêt de la glissière à monnaie à l'aide des deux vis. Reposez le ressort de retour de glissière à monnaie. Reposez le rallonge de glissière à monnaie à l'aide des deux vis (assurez-vous que les entretoises sont en place).

ÉTAPE 10

Reposez le mécanisme de glissière à monnaie dans le boîtier du compteur. Reposez et serrez le boulon de montage de la glissière à monnaie.

NOTA : Il peut être plus facile d'insérer le boulon de montage de la glissière à monnaie si vous démontez temporairement la minuterie des vis de montage.

Instructions pour le boîtier du compteur

INSTRUCTIONS POUR CHANGER LE NOMBRE DE PLAQUETTES DE GLISSIÈRE À MONNAIE POUR DÉMARRER L'APPAREIL

1. Mettez l'alimentation de l'appareil hors tension.
2. Démontez la porte de service du boîtier du compteur. (Fig. 1)



FIGURE 1

3. Tournez dans le sens des aiguilles d'une montre l'assemblage de l'arbre et de la came jusqu'à ce que le bras de levier de l'interrupteur tombe dans l'encoche de la came. (Fig. 2)
4. Soulevez la languette de réglage hors de la came avec les doigts et tournez la languette au chiffre désiré. Assurez-vous que la languette est bien verrouillée en place dans sa nouvelle position.

5. Tournez l'assemblage de l'arbre et de la came dans le sens des aiguilles d'une montre jusqu'à ce que le bras de levier de l'interrupteur soit sur le dessus de la languette afin de s'assurer que les interrupteurs des deux mécanismes sont ouverts (Fig. 3).

6. Remettez l'appareil sous tension.

EXEMPLE : Pour modifier de 1\$ à 2\$ déplacez la languette de 1 à 2.

AVERTISSEMENT Détruire le carton et les sacs en plastique après avoir déballé la laveuse. Des enfants risqueraient de s'en servir comme jouet. Les cartons recouverts d'un tapis, d'un couvrelit ou d'une feuille de plastique peuvent former une chambre étanche et faire suffoquer un enfant. Placer le matériel d'emballage dans une poubelle ou le mettre hors de portée des enfants.

AVERTISSEMENT Les directives qui figurent dans cette notice et dans les autres documents qui accompagnent la laveuse ne sauraient couvrir toutes les circonstances et les situations possibles. Il **FAUT** donc faire preuve de jugement et de prudence pendant l'installation, l'utilisation et l'entretien de tout appareil électroménager.

Pour tirer le maximum de rendement et de plaisir de cet appareil, lire et respecter en tout temps les consignes de sécurité et les directives d'utilisation.

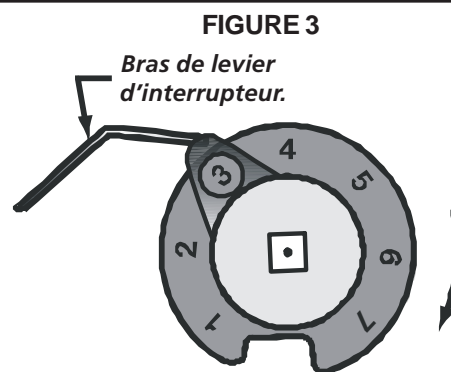
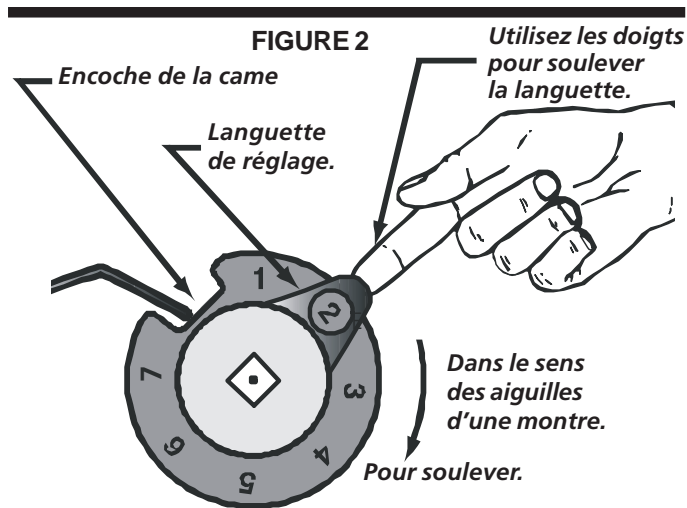
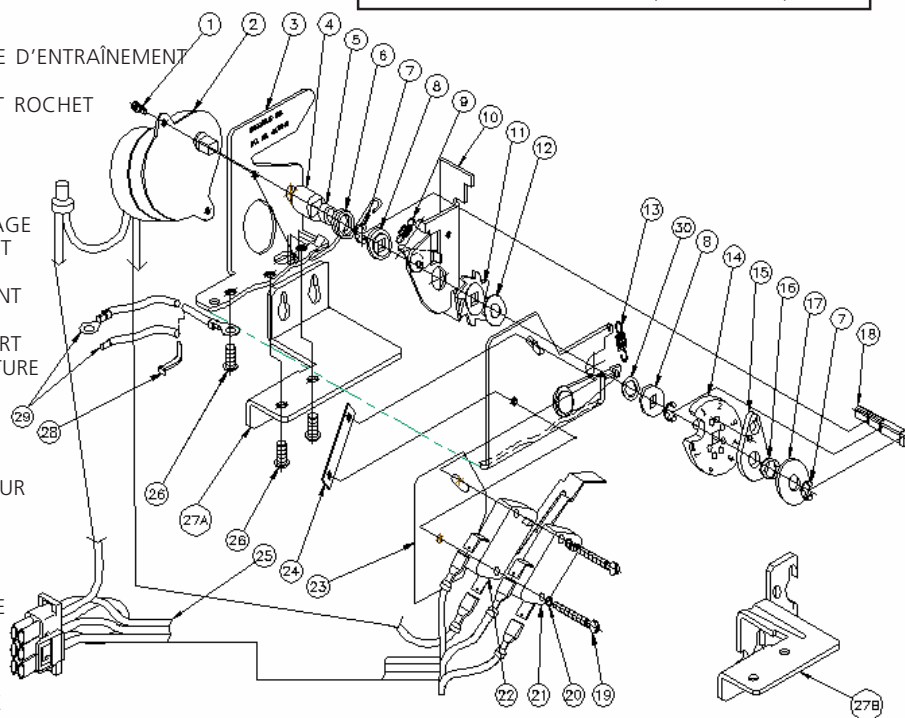
PIÈCES DE RECHANGE

Pour obtenir des pièces de rechange pour la laveuse, contacter le magasin d'où vient la laveuse ou appeler le **1-866-738-1640** pour connaître l'emplacement du fournisseur de pièces authentiques Frigidaire le Canada plus proche. **Pour les pièces de boîte à monnaie, appelez le 1-800-221-0982, Greenwald Industries.**

Liste des pièces des séries 7682 « Changement rapide » du mécanisme de démarrage

ITEM	REQUIS	NO PIÈCE	DESCRIPTION
1	2	00-7185	VIS AUTOTARAUDEUSE
2	1	76-6009-*	ASSEMBLAGE DU MOTEUR DE MINUTERIE
3	1	76-1037	SOUS-ASSEMBLAGE D'INTERRUPTEUR ET SUPPORT
4	1	76-5014	DOUILLE D'ENTRAÎNEMENT
5	1	76-2033	DOUILLE
6	1	00-8149	RESSORT DE TORSION
7	3	00-7070	BAGUE DE RETENUE
8	2	76-5013	COUSSINET POUR TIGE D'ENTRAÎNEMENT
9	1	00-8003	RESSORT
10	1	76-1036	ASSEMBLAGE BRAS ET ROCHET
11	1	76-5017	ROUE À CLIQUET
12	1	76-2003	RONDELLE
13	1	59-204	RESSORT
14	1	76-5012	CAME
15	1	76-5010	LANGUETTE DE RÉGLAGE
16	1	00-7055	RONDELLE DE RESSORT
17	1	00-7047	RONDELLE
18	1	76-2026	ARBRE D'ENTRAÎNEMENT
19	2	00-7458	n° 4-40 3/16 VIS BER
20	2	00-7097	n° 4 RONDELLE-RESSORT
21	1	00-6189	INTERRUPTEUR À RUPTURE
22	1	00-6190	BRUSQUE
23	1	76-5009	ASSEMBLAGE D'INTERRUPTEUR ET BRAS DE LEVIER
24	1	76-2035	ISOLANT D'INTERRUPTEUR
25	1	76-6000	PLATEAU-ÉCROU
26	2	02-0810-00	ASSEMBLAGE DE FAISCEAU
27A	1	76-2059	n° 8-32x5/16 VIS SEN
27B	1	76-2027	SUPPORT DE MONTAGE
28	1	59-0314	SUPPORT DE MONTAGE
29	1	58-172-*	ATTACHE DE CÂBLE
30	1	00-7558	FIL DE MISE À LA TERRE
			RONDELLE

Modèles 76-1030-21 (115v-60Hz),
76-1030-22 (230v-60Hz)
Modèles 76-1030-11 (115v-60Hz),
76-1030-12 (230v-60Hz)



MODIFIER LE PRIX DE VENTE D'UNE CHUTE À MONNAIE GREENWALD V8

MODIFIER LE PRIX D'UNE CHUTE À MONNAIE V8 NO ID 20-3000

- Démontez le ressort de retour de glissière (n°15).
- Démontez l'arrêt de glissière (n° 22).
- Retirez la glissière (n° 12) de la chute.
- Retournez sens dessus dessous la glissière et démontez la vis (n° 38). NE DÉMONTÉZ PAS LE BLOC DE RÉCEPTION DE MONNAIE.
- Tournez vers le haut le côté droit de la glissière et du bloc et posez-les sur une surface plate.
- Soulevez la glissière hors du bloc et mettez-la de côté.
- Pour modifier les prix, ajoutez ou retirez des clés bloquées (n° 24) ou des plaquettes (n° 20).
- Remontez le bloc de réception de monnaie dans la glissière et remontez le tout dans la chute à monnaie.
- POUR UN PRIX DE 10 ¢ :
A. Démontez le boîtier supérieur (n° 3).
B. Posez le bloc à monnaie de la bonne taille (n° 31) ou (n° 36).
C. Remontez le boîtier supérieur et le ressort de retour.
- Posez les décalques du bon prix (n° 10 et n° 13).

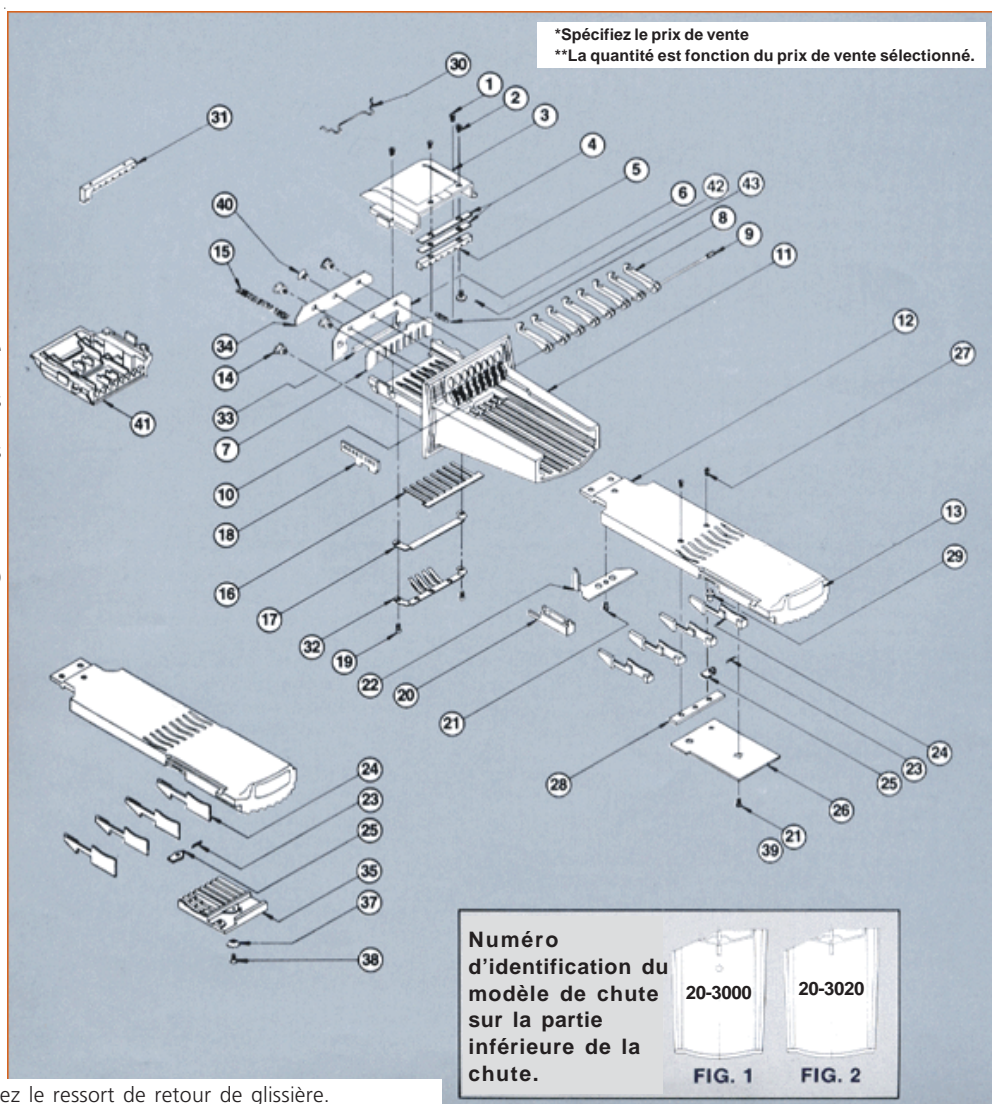
MODIFIER LE PRIX D'UNE CHUTE À MONNAIE V8 ID n° 20-3020

A. POUR MODIFIER LE PRIX À 25 ¢

- Démontez le ressort de retour de glissière (n°15).
- Placez de la monnaie dans la fente d'introduction des pièces et poussez la glissière à fond.
- Démontez l'amortisseur (n° 28).
- Retournez sens dessus dessous la chute à monnaie et posez ou démontez le nombre requis de clés bloquées (n° 24). Retirez des clés pour augmenter le prix et ajoutez des clés pour le réduire.
- Remontez l'amortisseur.
- Tirez la glissière en position originale et remontez le ressort de retour de glissière.
- Posez les décalques du bon prix (n° 10 et n° 13).

B. POUR CHANGER LE PRIX À 10 ¢

- Suivez les étapes 1, 2, 3, 4 dans la partie A ci-dessus.
- Tournez la chute à monnaie sens dessus dessous. Posez ou enlevez le nombre requis de clés bloquées (n° 24). Posez ou enlevez la languette de 10 ¢ (n° 20) dans la fente gauche de la glissière (la fente droite avec la glissière est tournée vers le bas).
- Remontez l'amortisseur et tirez sur la glissière.
- Démontez le boîtier supérieur (n° 3).
- Démontez les deux vis (n° 2) et le bloc de dimension de pièce de monnaie (n° 5). Posez le bloc de dimension de pièce de monnaie de 10 ¢ (n° 31).
- Remontez le boîtier supérieur.
- Posez les décalques appropriés (n° 10 et n° 13).



Liste des pièces V8

DESCRIPTION	REQUIS	20-3020	20-3000	DESCRIPTION	REQUIS	20-3020	20-3000
1 VIS (MÉTRIQUE)	2	00-9724	00-7924	22 ARRÊT DE GLISSIÈRE	1	20-2039	20-2004
2 VIS (MÉTRIQUE)	2	00-7938	00-7938	23 TOC À ROCHET DE RESSORT	1	00-8123	00-8123
3 DESSUS DE BOÎTIER	1	20-3019	20-3002	24 BLOQUEUR DE CLÉ, variable		20-5002	20-2010
4 CALE	2	20-2042		25 TOC À ROCHET DE GLISSIÈRE	1	20-2041	20-2008
5 BLOC DE DIMENSION DE PIÈCE DE MONNAIE	1	20-3006	20-3006	26 COUVERCLE DE COMPARTIMENT DE PRESSION		20-2037	20-2003
6 COUVERCLE DE GÂCHETTE	1	20-2043	20-2006	27 VIS (MÉTRIQUE)	2	00-7935	
7 GÂCHETTE	1	20-2035	20-2000	28 AMORTISSEUR	1	20-2034	
8 BÛTÉE D'ARRÊT DE GLISSIÈRE	8	20-2011	20-2011	29 TIGE DE TOC À ROCHET	1	20-4005	
9 TIGE DE BUTÉE	1	20-4004	20-4000	30 CUVETTE À MONNAIE, OPTIONNELLE		00-8168	
10 DÉCALQUE, MOULAGE	1	00-9905	00-9905	31 BLOC DE DIMENSION DE PIÈCE DE MONNAIE, variable		20-3007	20-300
11 MOULAGE DU CORPS	1	20-3020	20-3000	32 ASSEMBLAGE DE RESSORT DE PRESSION	Opt.	20-1012	20-1012
12 GLISSIÈRE DE MONNAIE	1	20-3021		33 AIMANT	Opt.	00-9256	00-9256
13 DÉCALQUE, GLISSIÈRE	1	00-9104	00-9104	34 PLAQUE DE PROTECTION	Opt.	20-2045	20-2045
14 VIS DE REPÉRAGE DE CHUTE	4	00-7483	61-55	35 BLOC DE CUVETTE À MONNAIE	1		20-2003
15 RESSORT DE RETOUR DE GLISSIÈRE	1	00-8148	00-8148	36 RONDELLE FREIN	1		00-7934
16 RESSORT	1	20-2040	20-2001	37 VIS (MÉTRIQUE)	1		00-7933
17 PROTECTEUR DE RESSORT	1	20-2038	20-2007	38 VIS (MÉTRIQUE)	1		00-7932
18 SUPPORT	1	20-2023	20-2005	39 VIS (MÉTRIQUE)	1		00-7541
19 VIS (MÉTRIQUE)	2	00-7931	00-7931	40 VIS		00-7541	00-7541
20 LANGUETTE 10 ¢ variable		20-3023	20-5001	41 ASSEMBLAGE DE BOÎTIER SUPÉRIEUR		20-1103-1	20-1104-1
21 VIS (MÉTRIQUE)	2	00-7923	00-7929				

NOUVEAU PRIX DE DISTRIBUTRICE

Bon de commande

Pour changer le prix des distributrices, détachez et postez la partie inférieure à :

Département de service aux consommateurs
Greenwald Industries Inc.
212 Middlesex Ave.
Chester, CT 06412

La chute à monnaie a été pré réglée à l'usine.

Pour augmenter le prix par incrément de 0,25\$

Suivez les instructions contenues dans les informations relatives au produit. Aucune pièce supplémentaire n'est nécessaire.

Pour augmenter le prix par incrément de 0,25\$ ou incrément de 0,10\$

(Bloc de dimension de la pièce de monnaie requis, consultez la section changement de prix de distributrice)

Commandez les pièces requises à l'aide de ce coupon détachable. Des clés de blocage vous seront expédiées sans frais. Suivez les instructions contenues dans les informations relatives au produit.

Quantité _____

Prix actuel de distributrice _____

Nom _____

Société _____

Adresse _____

Ville _____

État/Zip/Code postal _____

Téléphone de jour _____

Date d'achat _____

Notes

Informations sur la garantie d'appareils commerciaux

Votre appareil est couvert par une garantie limitée d'un an. Pendant un an à partir de la date d'achat originale, Electrolux assumera les coûts des réparations ou du remplacement des pièces de cet appareil qui présente un défaut de fabrication ou de matériau, si cet appareil est installé, utilisé et entretenu selon les instructions fournies avec celui-ci.

Cette garantie ne couvre pas ce qui suit :

1. Les dispositifs ou appareils de paiement des produits de buanderie commerciale.
2. Les produits dont le numéro de série original a été enlevé, modifié ou qui n'est pas facilement déterminable.
3. Usure normale et détérioration graduelle.
4. Les produits qui ont été transférés de leur propriétaire initial à une autre partie ou qui ne sont plus aux États-Unis ou au Canada.
5. La rouille à l'intérieur ou à l'extérieur de l'appareil.
6. Les produits vendus « tels quels » ne sont pas couverts par cette garantie.
7. Les aliments perdus en raison de pannes du réfrigérateur ou du congélateur.
8. Dommage causé à tout moment de l'expédition.
9. Les appels de service qui ne concernent pas un mal fonctionnement, un défaut de fabrication ou un vice de matériau ou pour les appareils qui ne font pas l'objet d'un usage domestique ou qui ne sont pas utilisés conformément aux instructions fournies.
10. Les appels de service pour vérifier l'installation de votre appareil ou pour obtenir des instructions sur la façon d'utiliser votre appareil.
11. Les frais qui rendent l'appareil accessible pour une réparation, par exemple enlever des garnitures, les armoires, les étagères, etc. qui ne faisaient pas partie de l'appareil lorsqu'il a quitté l'usine.
12. Les appels de service au sujet de la réparation ou du remplacement des ampoules, des filtres à air, des filtres à eau, d'autre matériel ou des boutons, poignées ou autres pièces esthétiques.
13. Les frais supplémentaires, y compris, sans s'y limiter, les appels de service après les heures normales de bureau, le week-end ou les jours fériés, les droits et péages, les frais de convoyage ou les frais de déplacement pour les appels de service dans des endroits isolés, notamment l'État de l'Alaska.
14. Les dommages causés au fini de l'appareil ou à la maison pendant l'installation, y compris, sans s'y limiter, aux planchers, aux armoires, aux murs, etc.
15. Les dommages causés par : des réparations faites par des techniciens non autorisés; l'utilisation de pièces autres que les pièces Electrolux d'origine qui n'ont pas été obtenues par l'entremise d'un réparateur autorisé; ou les causes étrangères comme l'abus, l'alimentation électrique inadéquate ou les cas de force majeure.
16. Les coûts de main-d'œuvre suivant quatre-vingt-dix (90) jours de la date originale d'achat, engagés pour la réparation ou le remplacement de produit, tel que stipulé aux présentes pour les appareils opérés par un concessionnaire ou un vendeur dans une remorque ou un autre véhicule motorisé ou dans divers emplacements.

AVIS DE NON-RESPONSABILITÉ SUR LES GARANTIES IMPLICITES; LIMITATIONS DES RECOURS

L'UNIQUE RECOURS DU CLIENT EN VERTU DE CETTE GARANTIE LIMITÉE EST LA RÉPARATION OU LE REMPLACEMENT DU PRODUIT COMME DÉCRIT PRÉCÉDEMMENT. LES DEMANDES BASÉES SUR DES GARANTIES IMPLICITES, Y COMPRIS LES GARANTIES IMPLICITES DE QUALITÉ MARCHANDE ET D'ADAPTATION À UN USAGE PARTICULIER SONT LIMITÉES À AU MOINS UN AN OU À LA PÉRIODE LA PLUS COURTE PERMISE PAR LA LOI. ELECTROLUX NE SERA PAS TENUE RESPONSABLE DES DOMMAGES DIRECTS OU INDIRECTS NI DES DOMMAGES MATÉRIELS ET DES DÉPENSES IMPRÉVUES RÉSULTANT D'UNE VIOLATION DE CETTE GARANTIE ÉCRITE OU DE TOUTE AUTRE GARANTIE IMPLICITE. CERTAINS ÉTATS ET CERTAINES PROVINCES NE PERMETTENT PAS DE RESTRICTION OU D'EXEMPTION SUR LES DOMMAGES DIRECTS OU INDIRECTS OU DE RESTRICTION SUR LES GARANTIES IMPLICITES. DANS CE CAS, CES RESTRICTIONS OU EXEMPTIONS POURRAIENT NE PAS ÊTRE APPLICABLES. CETTE GARANTIE ÉCRITE VOUS PROCURE DES DROITS LÉGAUX SPÉCIFIQUES. IL SE PEUT QUE VOUS AYEZ D'AUTRES DROITS QUI VARIENT SELON L'ÉTAT OU LA PROVINCE.

Exclusions

Si vous avez besoin d'une réparation

Conservez votre reçu, votre bon de livraison ou une autre preuve valide de paiement pour établir la période de la garantie dans le cas où vous devriez faire appel aux services d'un technicien autorisé. Si une réparation doit être effectuée, veuillez obtenir et conserver tous les reçus. Le service auquel vous avez recours en vertu de cette garantie doit être obtenu en communiquant avec Electrolux à l'adresse ou aux numéros de téléphone indiqués ci-dessous.

Cette garantie n'est valide qu'aux États-Unis et au Canada. Aux États-Unis, votre appareil est garanti par Electrolux Major Appliances North America, une division de Electrolux Home Products, Inc. Au Canada, votre appareil est garanti par Electrolux Canada Corp. Personne n'est autorisé à modifier ou à ajouter aux obligations contenues dans cette garantie. Les obligations de cette garantie concernant la réparation et les pièces doivent être remplies par Electrolux ou par une compagnie de réparation autorisée. Les caractéristiques et spécifications décrites ou illustrées peuvent être modifiées sans préavis.

ÉTATS-UNIS

1.866.738.1640

Electrolux Major Appliances

North America

Case postale 212378

Augusta, GA 30907, ÉTATS-UNIS

 **Electrolux**

Canada

1.866.738.1640

Electrolux Canada Corp.

5855 Terry Fox Way

Mississauga, Ontario, Canada

L5V 3E4