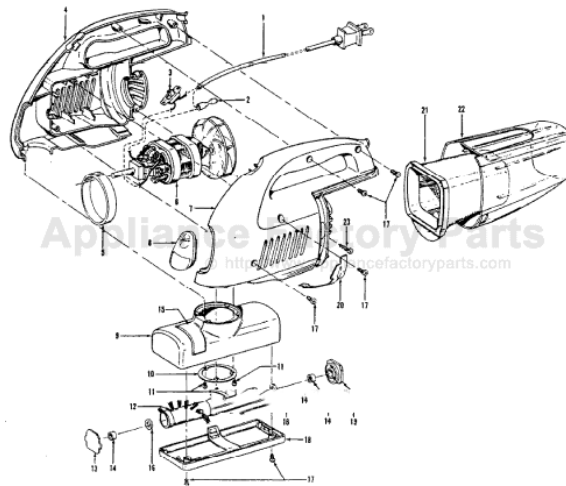


This Owner's Manual is provided and hosted by [Appliance Factory Parts](http://ApplianceFactoryParts.com).



# HOOVER S1156 Owner's Manual

[Shop genuine replacement parts for HOOVER S1156](#)



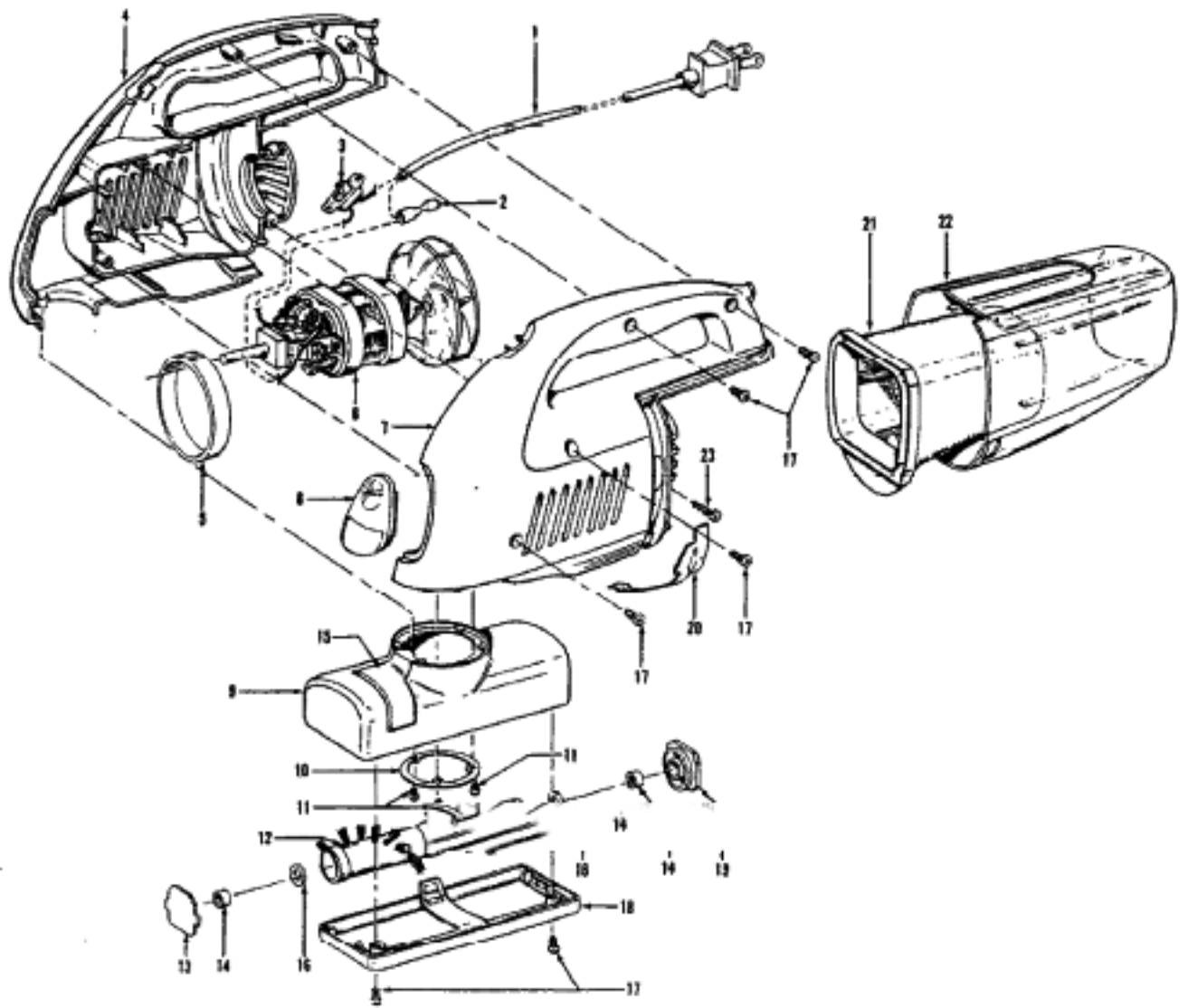
[Find Your HOOVER Vacuum Cleaner Parts - Select From 1456 Models](#)

----- Manual continues below part list -----

## Available Replacement Parts for HOOVER S1156

[12277](#)

Valve Replacement Kit, LP ITT to RS



**Model Number: S1156---**  
**BOM/Serial #: S1156---**  
**Graphic Title: MOTOR, HOSE, MOTORHOUSING**

| Image | Key | Part Number | Description                   | Substitution | Qty. |
|-------|-----|-------------|-------------------------------|--------------|------|
| 1     | 1   | 59139203    | ATTACHMENT CORD - S1          |              | 1    |
| 1     | 2   | 012227-     | TERMINALS-0513                |              | 1    |
| 1     | 3   | 59139204    | SWITCH - S1147                |              | 1    |
| 1     | 4   | 59139184    | HOUSING - R.H. - S11          |              | 1    |
| 1     | 5   | 38529032    | BELT-S1147                    |              | 1    |
| 1     | 6   | 59139211    | MOTOR/FAN ASSEMBLY -          |              | 1    |
| 1     | 7   | 59139183    | HOUSING - L.H. - S11          |              | 1    |
| 1     | 8   | 59139197    | ACCESS DOOR - S1147           |              | 1    |
| 1     | 9   | 59139186    | AGITATOR HOUSING - S          |              | 1    |
| 1     | 10  | 59139188    | STEEL PLATE - S1147           |              | 1    |
| 1     | 11  | 59139210    | SCREW - S1147                 |              | 1    |
| 1     | 12  | 59139205    | AGITATOR ASSEMBLY- S          |              | 1    |
| 1     | 13  | ---         | NOT REQUIRED PART OR SEE NOTE |              | 1    |
| 1     | 14  | ---         | NOT REQUIRED PART OR SEE NOTE |              | 1    |
| 1     | 15  | 59139192    | AGITATOR SPRING- S11          |              | 1    |
| 1     | 15  | 59139189    | AGITATOR LATCH- S114          |              | 1    |
| 1     | 16  | ---         | NOT REQUIRED PART OR SEE NOTE |              | 1    |
| 1     | 17  | 59139208    | SCREW - PLATE- E- S1147       |              | 1    |
| 1     | 18  | 59139187    | BOTTOM PLATE- S1147           |              | 1    |
| 1     | 19  | ---         | NOT REQUIRED PART OR SEE NOTE |              | 1    |
| 1     | 20  | 59139190    | DIRT CUP LATCH- S114          |              | 1    |
| 1     | 21  | 59139207    | FILTER & FILTER FRAM          |              | 1    |
| 1     | 22  | 59139185    | DIRT CUP - S1147              |              | 1    |
| 1     | 23  | 59139209    | SCREW - S1147                 |              | 1    |
| 1     | 23  | 59139180    | OWNER MANUAL-S1147            |              | 1    |
| 1     | 25  | 36433056    | WALL RACK                     |              | 1    |
| 1     | 25  | 38617024    | CREVICE TOOL - AG             |              | 1    |
| 1     | 25  | 38656032    | CONVERTER BODY                |              | 1    |
| 1     | 25  | 40201142    | WALL RACK HDWE                |              | 1    |
| 1     | 25  | 43434007    | HOSE ASSEMBLY                 |              | 1    |
| 1     | 25  | 43414145    | DUSTING BRUSH                 |              | 1    |
| 1     | 996 | 59139274    | BELT SHOE-S1147/S114          |              | 1    |