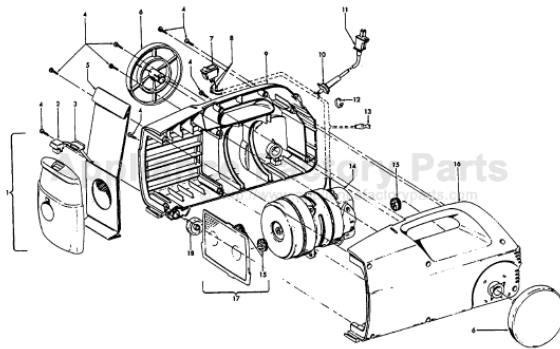


This Owner's Manual is provided and hosted by [Appliance Factory Parts](#).



HOOVER S1211 Owner's Manual

[Shop genuine replacement parts for HOOVER S1211](#)



[Find Your HOOVER Vacuum Cleaner Parts - Select From 1456 Models](#)

----- Manual continues below part list -----

Available Replacement Parts for HOOVER S1211

| | |
|----------------------------|-------------------------------|
| H-4010063R | PAPER BAG R OEM HOOVER 5 PACK |
| HR-5000 | EXTENSION TUBE |

**Sprint/Hornet
PortaPower I**

**Models S1211, S1215, S1221, S1223
S1410**

| Ref. No. | Part No. | Description |
|----------|----------|---|
| 1 | 42227175 | Bag Door Assem. - JM |
| | 42227178 | Bag Door Assem. - AAP - S1215, S1223 |
| | 42227179 | + Bag Door Assem. - AG - S1221, S1410 |
| 2 | 38426088 | Latch Button - JM |
| | 38426090 | + Latch Button - AG |
| 3 | 36151025 | Latch - BZ |
| 4 | 21447122 | +* Screw - Self Tapping (8) |
| 5 | 4010063R | Disposable Bag (5 Pk.) |
| 6 | 38522073 | Wheel - AG |
| 7 | 28181063 | Switch |
| 8 | 27666553 | Terminal - S1410 |
| | 27666513 | Terminal (Black Switch) |
| | 27666527 | + Terminal (Gray Switch) |
| 9 | 42222173 | Housing Assem. - RHLH - JM |
| | 42222172 | Hsg Assem. - RH/LH - AAU - S1223 |
| | 42222177 | Hsg Assem. - RH/LH - MW - S1215 |
| | 42212129 | Hsg Assem. - RH/LH - ABZ - S1221 |
| | 42222179 | Hsg Assem. - RH/LH - AG - S1410 |
| 10 | 36218020 | Cord Protector - AAP |
| | 36218021 | Cord Protector AG |
| 11 | 46363043 | Attach. Cord Assem. - AAP |
| | 46363307 | Attach Cord Assem. - AG |
| 12 | 27479307 | + Lead Wire Tie |
| 13 | 12227 | Insulated Terminal |
| | 27618508 | Wire Connector - S1410 |
| 14 | 43177061 | + Motor Assem. Comp. (P-205) |
| | 43578068 | Motor Assem. Comp. - S1215, S1223 - (P-205) |
| 15 | 163434 | + Pressure Pad (3) |
| 16 | 42222173 | Housing Assem. - RHLH - JM |
| | 42222172 | Hsg Assem. - RH/LH - AAU - S1223 |
| | 42222177 | Hsg Assem. - RH/LH - MW - S1215 |
| | 42212129 | Hsg Assem. -RH/LH -ABZ - S1221 |
| | 42222179 | Hsg Assem. - RH/LH - AG - S1410 |
| 17 | 43615054 | Bulkhead Assem. |
| 18 | 38521036 | Wheel - AG |

| Ref. No. | Part No. | Description |
|----------|----------|-----------------------------|
| | 56512174 | Owner Manual - S1221, S1410 |
| | 56512139 | Owner Manual |
| | 58142123 | + Carton |
| | 58142127 | + Carton - S1221 |
| | 58142130 | + Carton - S1410 |
| | 58341007 | + Cleaner Support |

Cleaning Tools - S1211, S1215

| | |
|----------|-----------------------------|
| 38617017 | Crevice Tool - AG |
| 43414016 | Furniture Brush - AG |
| 0M114169 | Rug & Floor Nozzle - AAP |
| 3863801P | Extension Tube - Poly - AG |
| 43434157 | Hose Assem. Comp. - AAZ/AAP |

Cleaning Tools - S1223

| | |
|----------|----------------------------|
| 38617017 | Crevice Tool - AG |
| 38614024 | Furniture Nozzle - AAP |
| 43414064 | Dusting Brush - AG |
| 0M114169 | Rug & Floor Nozzle - AAP |
| 3863801P | Extension Tube - Poly - AG |
| 43434243 | Hose Assem. Comp. - w/SC |

Cleaning Tools - S1221

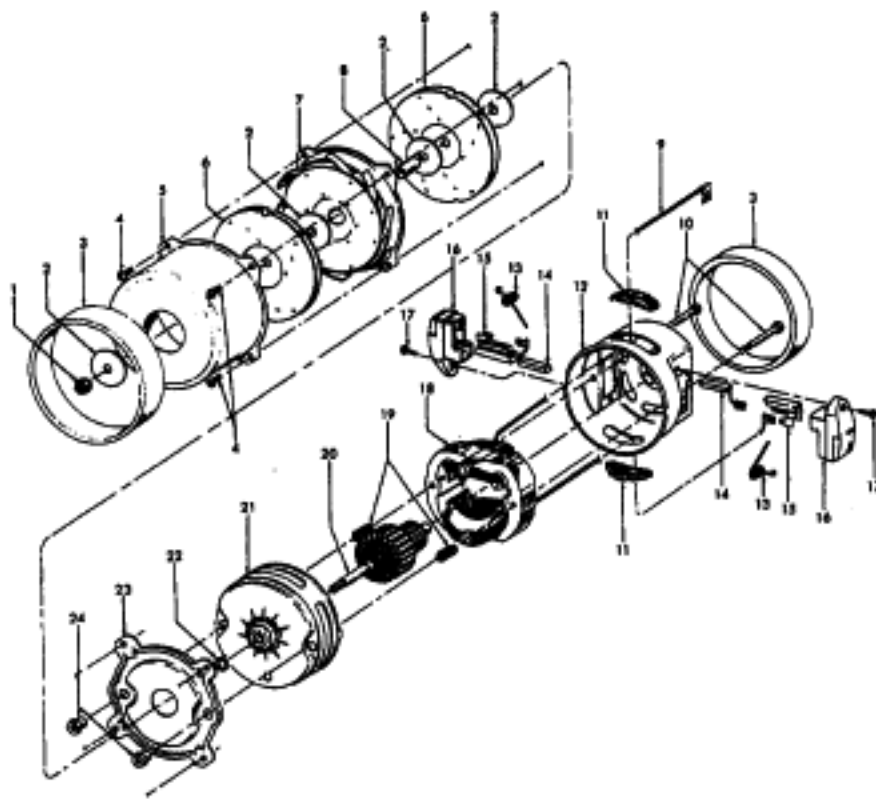
| | |
|----------|---------------------------------------|
| 38617017 | Crevice Tool - AG |
| 43414016 | Multi Purpose Brush - AG |
| 3863801P | Extension Tube Assem. - AG |
| 0M114169 | Rug and Floor Nozzle - ABE |
| 43434157 | Hose Assem. Comp. - W/SC- ABX/AG - 8' |

Cleaning Tools - S1410

| | |
|----------|--------------------------|
| 38617017 | Crevice Tool - AG |
| 3863801P | Extension Tube - AG |
| 43414016 | Multi Purpose Brush - AG |
| 43414172 | Rug & Floor Nozzle |
| 43434157 | Hose Assem. Comp. |

Motor

S1211, S1215, S1221, S1223, S1410

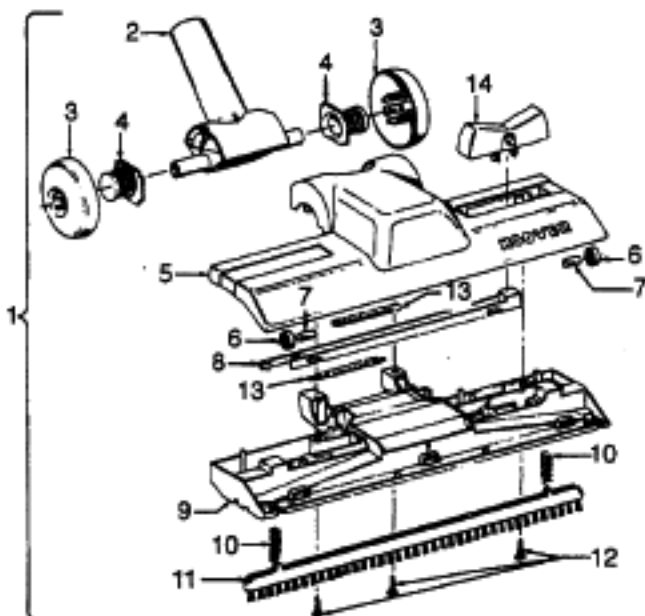
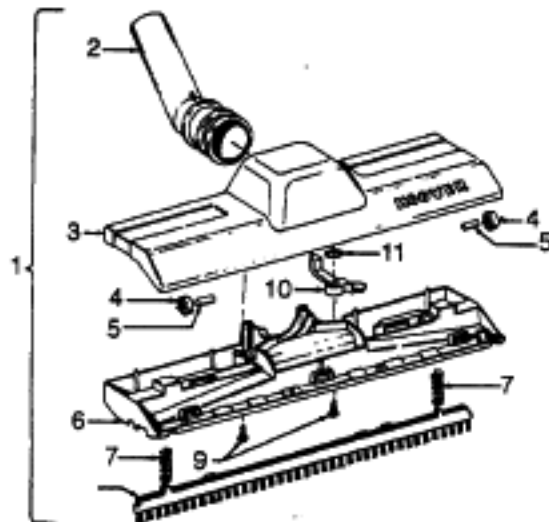


43578068 Motor Assem. Comp. - S1215, S1223
 43177061 Motor Assem. Comp. - S1211, S1221, S1410

| Ref. No. | Part No. | Description |
|----------|----------|---|
| 1 | 33426001 | Nut - EF |
| 2 | 21312701 | * Washer (4) |
| 3 | 31178007 | Motor Gasket (2) |
| 4 | 21434224 | +* Screw - Self Tapping (4) |
| 5 | 37191016 | Outer stage Housing - AY |
| 6 | 43568017 | Fan Assem. (2) |
| 7 | 43551005 | Interstage Assem. |
| 8 | 31742010 | Fan Spacer |
| 9 | 46176001 | Lead Wire Assem. - Black |
| 10 | 33421004 | + Field Lamination Bolt - FW (2) |
| 11 | 169702BZ | * Bushing (2) |
| 12 | 42937003 | Motor Housing Assem. - Upper |
| 13 | 38353004 | Spring (2) |
| 14 | 167681 | Brush & Terminal Assem. (2) |
| 15 | N/A | Brush Holder (2) Use Brush Carrier Assem. 47318-008 (Incl. It. 13 - 16) |
| 16 | 167696AG | Brush Carrier (2) |

| Ref. No. | Part No. | Description |
|----------|----------|--|
| 17 | 21429406 | * Screw - Self Tapping - EF (2) |
| 18 | 45311051 | Field Assem. Comp. - S1215, S1223 |
| | 45311061 | + Field Assem. Comp. - S1211, S1221 S1410 |
| 19 | 167721FW | Spring compression (2) - S1215, S1223 |
| | 38311023 | + Spring Compression (2) - S1211, S1221, S1410 |
| 20 | 44765171 | Armature Assem. Comp. - S1215, S1223 |
| | 44765217 | Armature Assem. Comp. - S1211, S1221, S1410 |
| 21 | 37191085 | Motor Housing Assem. - Lower |
| 22 | 31148002 | Spacer |
| 23 | 36322002 | Interstage Mounting Plate - FW |
| 24 | 167695EF | Nut - Special (2) |

Rug & Floor Nozzle



| Ref. No. | Part No. | Description |
|----------|----------|--|
| 1 | 43414121 | + Standard Rug & Floor Nozzle Assem. - AAP |
| | 43414139 | + Standard Rug & Floor Nozzle Assem. - AAP |
| | 43414140 | Standard Rug & Floor Nozzle Assem. - ABE (S3393-020, S3521) |
| | 0M114169 | Standard Rug & Floor Nozzle - ABX - S1221, S1315, S1337, S3393-040 |
| | 43414170 | + Standard Rug & Floor Nozzle AG - S1339, S3547 |
| | 43414172 | Standard Rug & Floor Nozzle - AG |
| 2 | 38648039 | Nozzle Tube - AG |
| 3 | 38615153 | + Rug & Floor Nozzle - AAP |
| | 38615182 | Rug & Floor Nozzle - ABE S3393-020, S3521, S1339, S3547, S1221, S1315, S1337 |
| 4 | 38521018 | Roller (2) (Nozzle 43414172 req's 4) |
| 5 | 31511004 | Roller Axle - AY (2) (Nozzle 43414172 req's 4) |
| 6 | 36414018 | Brush Housing S1221, S1315, S1337 |
| 7 | 166849FW | Spring (2) |
| 8 | 48443003 | Brush Back Assem. - AG |
| 9 | 21447203 | Screw - Self Tapping (2) |
| 10 | 38454004 | Brush Back Lever - MV |
| | 38454006 | + Brush Back Lever - ABN S3393-020, S3521, S1221 S1339, S3547 |
| 11 | 21329105 | + Felt Washer |

| Ref. No. | Part No. | Description |
|----------|----------|--|
| 1 | 43414101 | + Deluxe Rug & Floor Nozzle Assem. - AAP |
| 2 | 38648045 | Nozzle Connector - AAP |
| 3 | 43244043 | Wheel & Bearing Assem. (2) |
| 4 | 38511016 | Wheel Bearing - AAT (2) |
| 5 | 38615180 | Rug & Floor Nozzle - AAP |
| 6 | 38521018 | Roller (2) |
| 7 | 31511004 | Roller Axle - AY (2) |
| 8 | 38451008 | Slider - AG |
| 9 | 36414013 | + Brush Housing - MV |
| 10 | 166849FW | Spring (2) |
| 11 | 48443004 | Brush Back Assem. - AG |
| 12 | 21447203 | Screw - Self Tapping (3) |
| 13 | 34122013 | +* Seal (2) |
| 14 | 38434015 | Pedal - MV |