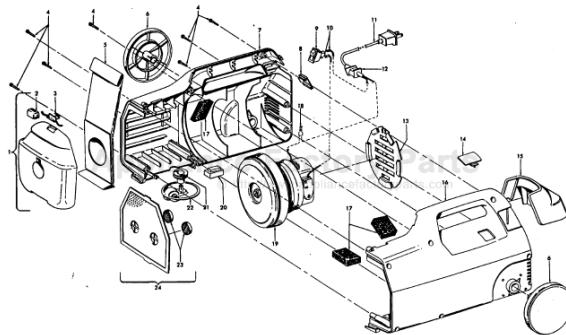


This Owner's Manual is provided and hosted by [Appliance Factory Parts](#).



HOOVER S1311-020 Owner's Manual

[Shop genuine replacement parts for HOOVER
S1311-020](#)

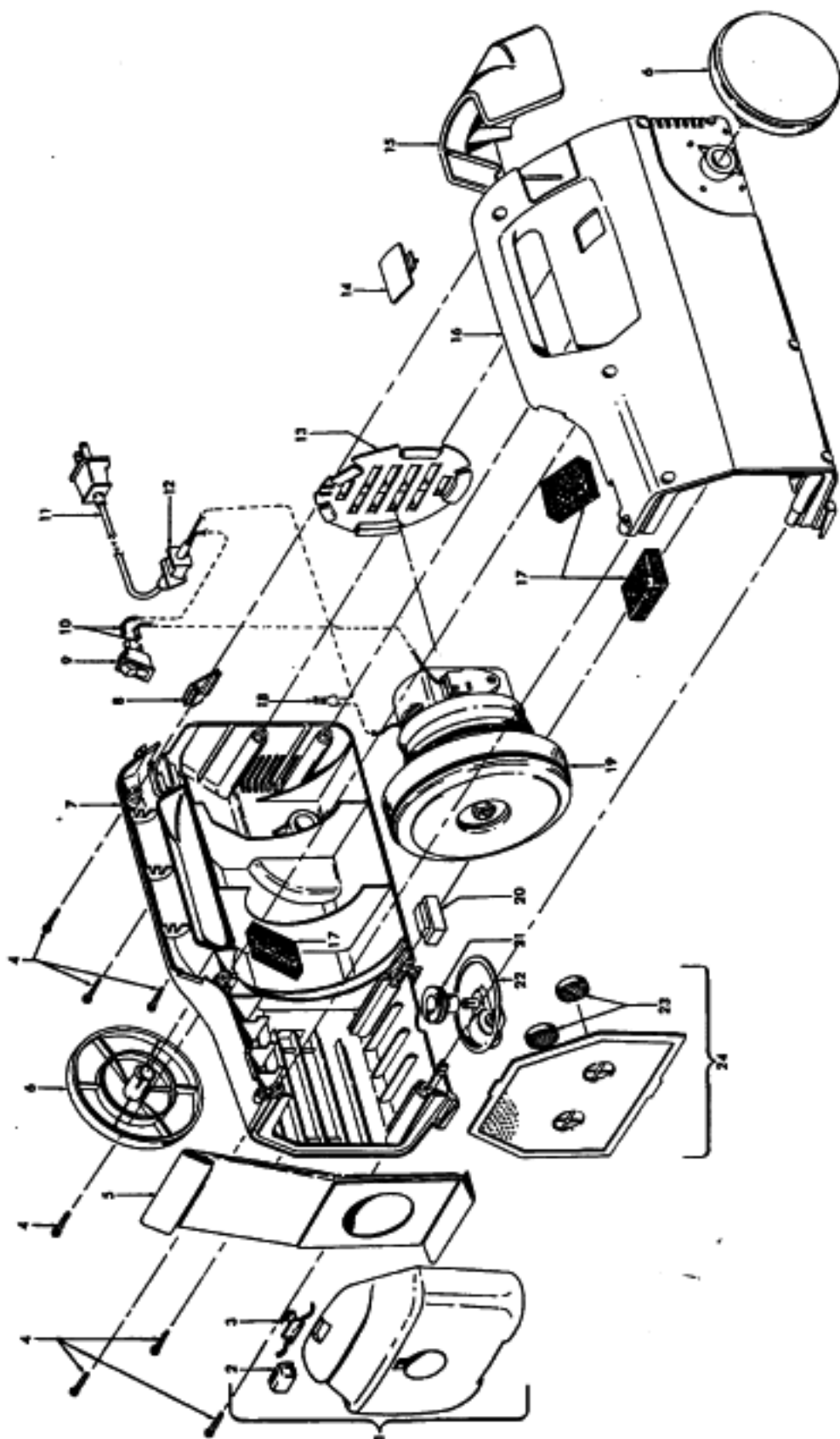


[Find Your HOOVER Vacuum Cleaner Parts - Select From 1456 Models](#)

----- Manual continues below part list -----

Available Replacement Parts for HOOVER S1311-020

H-4010063R	PAPER BAG R OEM HOOVER 5 PACK
H-43414064	DUSTING BRUSH (ONE PEICE)
HR-5000	EXTENSION TUBE



Tempo Portapower II

Models S1311, S1315, S1311-020

Ref. No.	Part No.	Description
1	42227173	Bag Door Assem. - AG
2	38426085	Latch Button - AAP
	38426086	+ Latch Button - AG - S1315
3	38151022	Latch - BZ
4	21447122	+* Screw - Self Tapping (7)
5	4010063R	Disposable Bag (5 Pk.)
6	38522073	Wheel - AG (2)
7	42222170	Housing Assem. - RH/LH - MW
	42212130	Housing Assem. RH/LH - ABC-S1315
8	37911090	Cord Slot Filler - MW
9	28161063	Switch Assem.
10	27666527	+ Terminal (2)
11	46383264	Attachment Cord Assem. - AG
	46383291	Attachment Cord Assem. - AG - S1315
12	N/A	Cord Protector
13	38763008	Baffle - MW
14	38422151	+ Cord Reel Plug - MW
	38422154	Cord Reel Plug - ABC
15	36433080	Cord Wrap - AAP - S1311
	36433072	Tool Rack - AAP - S1311-020
	36433089	Tool Rack - AG - S1315
16	42222170	Housing Assem. - RH/LH - MW
	42212130	Housing Assem. - RH/LH - ABC -S1315
17	34141020	+ Motor Snubber (3)
18	12227	Insulated Terminal
19	43578083	Motor Assem. Comp. - (P - 206)
20	37911034	+ Hole Plug - MW
	37911065	+ Hole Plug - AG - S1315
21	38411057	+ Caster Housing - JM
22	41432040	Wheel Carrier Assem. - AG
23	163434	+ Pressure Pad (2)
24	43615053	Bulkhead Assem. - MW

ITEMS NOT ILLUSTRATED

56512140	+ Owner Manual
56512162	Owner Manual - S1315
58144015	+ Carton - S1311
59814041	+ Carton - S1311-020
59814073	+ Carton - S1315
58341005	+ Cleaner Support - S1311
58241006	+ Rear Support - S1311-020, S1315
58253006	+ Front Support - S1311-020, S1315
58332023	+ Mid Support - S1311-020, S1315
36131083	+ Wire Retainer

Cleaning Tools - S1311, S1311-020 (P.207)

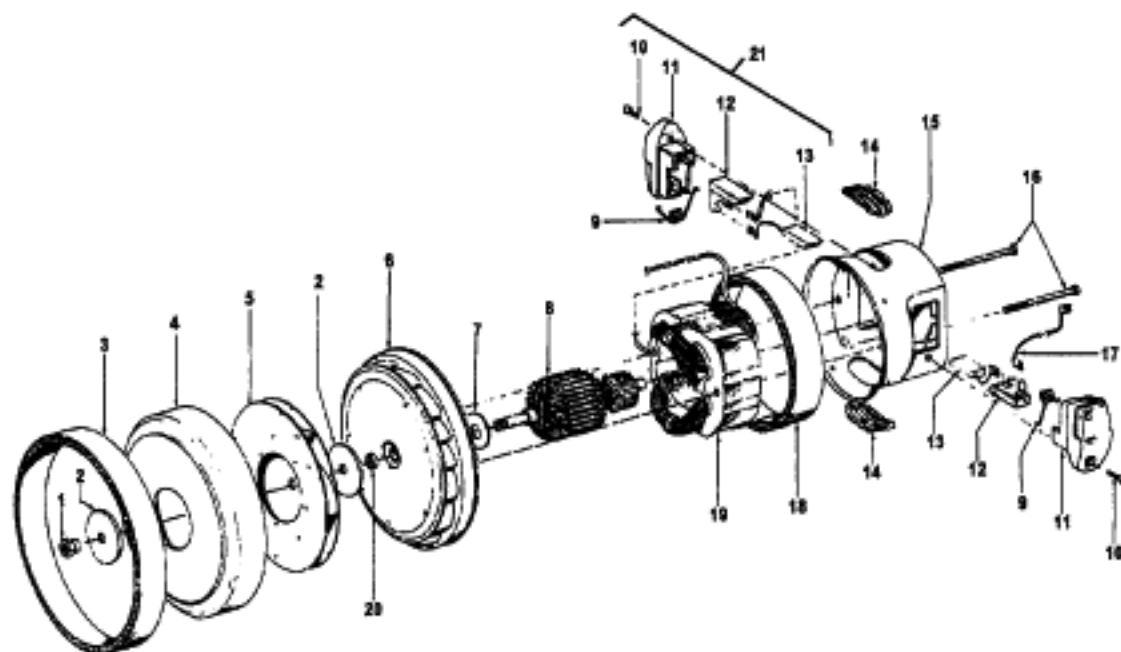
38617017	Crevice Tool
38614024	Furniture Nozzle - AAP
43414016	Furniture Brush - AG
43414064	Dusting Brush Assem. - AAP
0M114169	Rug & Floor Nozzle - AAP (P.188)
3863801P	Ext. Tube - Poly - AG
43434157	Hose Assem. Comp. - AAZ/AAP

Cleaning Tools - S1315 (P.207)

38617017	Crevice Tool - AG
38614024	Furniture Nozzle - AG
43414064	Dusting Brush Assem. - AG
3863801P	Ext. Tube - Poly - AG
0M114169	Rug and Floor Nozzle (P. 188)
43434157	Hose Assem. Comp. ABX / AG

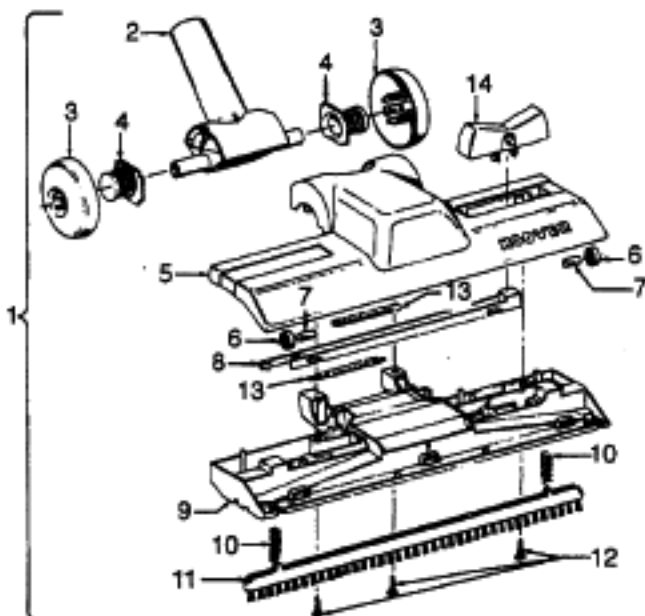
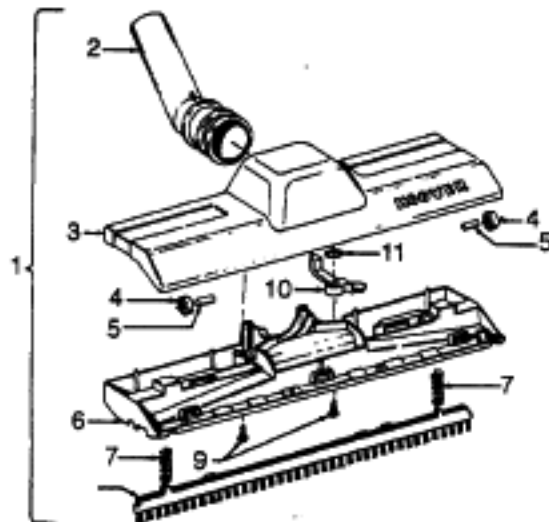
Motor

Models S1311, S1311-020, S1315, S1319, S1323, S1329, S1335, S1337, S1339, S1347, S1349, S1353, S1420



Ref. No.	Part No.	Description	Ref. No.	Part No.	Description
1	12028	+ Nut			
2	21312774	+ Washer - FW (2)			
3	31178008	+ Motor Gasket			
4	37198065	Fan Cover			
5	43551008	Fan			
6	43551027	Diffuser Assem. Comp. S1311, S1311-020, S1323, S1347			
	43551030	Diffuser Assem. Comp. - S1319, S1329, S1335, S1349			
	43551029	Molded - (43576113 Motor)			
	43551029	+ Diffuser Assem. Comp. - Molded - S1315, S1337, S1339, S1353, S1420			
7	31185003	+ Bearing Retainer Plate - AY			
8	44765138	Armature Assem. Comp. - S1311, S1311-020, S1315, S1323, S1337, S1339, S1347, S1353, S1420			
	44765220	Armature Assem. Comp. - S1319, S1329, S1335, S1349			
9	38353004	Spring (2)			
10	21429408	* Screw (2)			
11	167698AG	Brush Carrier (2) - S1311, S1311-020, S1315, S1323, S1337, S1339, S1347, S1353, S1420			
	168038AG	Brush Carrier (2) - S1319, S1329, S1335, S1349			
12	N/A	Brush Holder (2) - S1311, S1311-020, S1315, S1323, S1337, S1339, S1347, S1353, S1420 - Use Brush Carrier Assem. 47318008 (Incl. It. 9, 11, 12, 13)			
	168506	Brush Holder (2) - S1319, S1329, S1335, S1349			
13	167681	Motor Brush Assem. (2) - S1311, S1311-020, S1315, S1323, S1337, S1339, S1347, S1353, S1420			
				167679	Motor Brush Assem. 2 -S1319 S1329, S1335, S1349
			14	169702BZ	+ Bushing (2)
			15	42193025	Motor Housing Assem.
			16	36112006	Field Lamination Bolt (2) (Use w/Metal Diffuser)
				21447222	+ Field Lamination Bolt - S1319, S1349 (Use w/Molded Diffuser)
			17	46176001	Lead Wire Assem
			18	38781017	+ Motor Gasket
			19	45311051	Field Assem. - S1311, S1311-020, S1315, S1323, S1337, S1339, S1347, S1353, S1420
				45311048	Field Assem. - S1319, S1329, S1335, S1349
			20	31148009	Bearing Spacer - AY (Use w/Metal Diffuser)
				31148011	Bearing Spacer - AY (Use w/Molded Diffuser)
			21	47318017	Brush Carrier Assembly - (Incl. 9 thru 13) - S1319, S1329, S1335, S1349
				47318008	Brush Carrier Assembly - (Incl. 9 thru 13) S1311, S1311-020, S1315, S1323, S1337, S1339, S1347, S1353, S1420
				43576083	Motor Assem. Comp. - S1311, S1323, S1311-020, S1315, S1337, S1339 S1347, S1353, S1420 (6.8 Amp) (Metal Diffuser)
				43578067	Motor Assem. Comp. - S1329, S1335 (Metal Diffuser)
				43576113	+ Motor Assem. Comp. - S1319, S1323, S1329, S1335, S1349 (7.5 Amp) (Molded Diffuser) (Use 43578067)

Rug & Floor Nozzle



Ref. No.	Part No.	Description
1	43414121	+ Standard Rug & Floor Nozzle Assem. - AAP
	43414139	+ Standard Rug & Floor Nozzle Assem. - AAP
	43414140	Standard Rug & Floor Nozzle Assem. - ABE (S3393-020, S3521)
	0M114169	Standard Rug & Floor Nozzle - ABX - S1221, S1315, S1337, S3393-040
	43414170	+ Standard Rug & Floor Nozzle AG - S1339, S3547
	43414172	Standard Rug & Floor Nozzle - AG
2	38646039	Nozzle Tube - AG
3	38615153	+ Rug & Floor Nozzle - AAP
	38615182	Rug & Floor Nozzle - ABE S3393-020, S3521, S1339, S3547, S1221, S1315, S1337
4	38521018	Roller (2) (Nozzle 43414172 req's 4)
5	31511004	Roller Axle - AY (2) (Nozzle 43414172 req's 4)
6	36414018	Brush Housing S1221, S1315, S1337
7	166649FW	Spring (2)
8	48443003	Brush Back Assem. - AG
9	21447203	Screw - Self Tapping (2)
10	38454004	Brush Back Lever - MV
	38454006	+ Brush Back Lever - ABN S3393-020, S3521, S1221 S1339, S3547
11	21329105	+ Felt Washer

Ref. No.	Part No.	Description
1	43414101	+ Deluxe Rug & Floor Nozzle Assem. - AAP
2	38646045	Nozzle Connector - AAP
3	43244043	Wheel & Bearing Assem. (2)
4	38511016	Wheel Bearing - AAT (2)
5	38615180	Rug & Floor Nozzle - AAP
6	38521018	Roller (2)
7	31511004	Roller Axle - AY (2)
8	38451008	Slider - AG
9	36414013	+ Brush Housing - MV
10	166649FW	Spring (2)
11	48443004	Brush Back Assem. - AG
12	21447203	Screw - Self Tapping (3)
13	34122013	+ Seal (2)
14	38434015	Pedal - MV